

US00D546199S

(12) **United States Design Patent**  
**Gray et al.**

(10) **Patent No.:** **US D546,199 S**

(45) **Date of Patent:** **\*\* Jul. 10, 2007**

(54) **TRAY FOR A RAZOR**

D401,145 S \* 11/1998 Gray ..... D9/749

(75) Inventors: **Michael J. Gray**, Duxbury, MA (US);  
**Evan K. Pennell**, Hingham, MA (US)

\* cited by examiner

*Primary Examiner*—Jennifer Rivard

(73) Assignee: **The Gillette Company**, Boston, MA  
(US)

(74) *Attorney, Agent, or Firm*—Kevin C. Johnson

(\*\*) Term: **14 Years**

(57) **CLAIM**

The ornamental design for a tray for a razor, as shown.

(21) Appl. No.: **29/197,334**

**DESCRIPTION**

(22) Filed: **Jan. 14, 2004**

(51) **LOC (8) Cl.** ..... **09-03**

FIG. 1 is a perspective view of a tray for a razor showing my new design as seen from the top, front and left side;

(52) **U.S. Cl.** ..... **D9/749; D28/73**

FIG. 2 is a perspective view thereof as seen from the bottom, rear and right side;

(58) **Field of Classification Search** ..... D9/748,  
D9/749; 206/228, 349; 30/541; D6/526;  
D28/73

FIG. 3 is a front elevational view thereof;

See application file for complete search history.

FIG. 4 is a top plan view thereof;

(56) **References Cited**

FIG. 5 is a right side elevational view thereof, the left side elevational view being a mirror image;

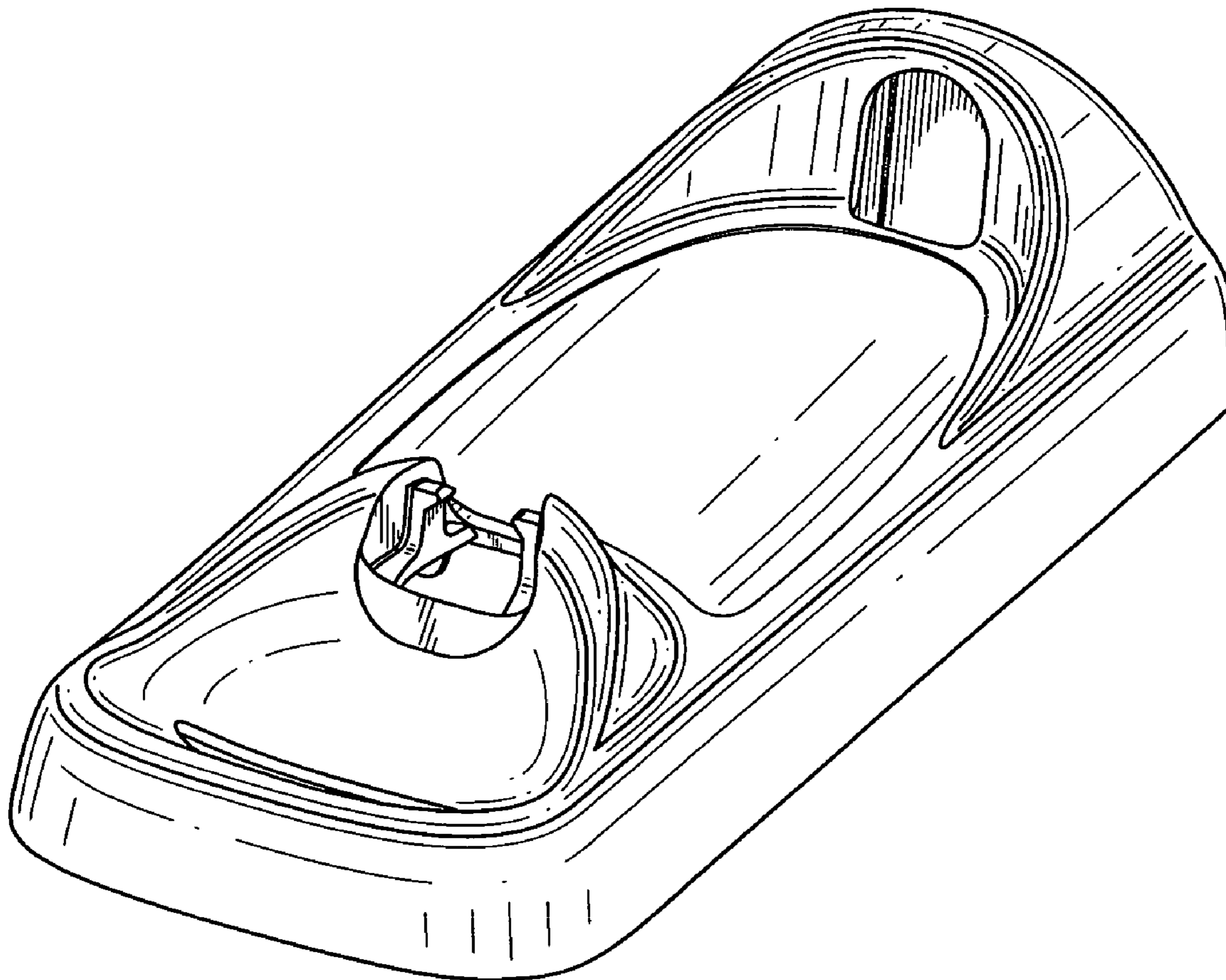
**U.S. PATENT DOCUMENTS**

- D320,342 S \* 10/1991 Gray ..... D9/749
- 5,782,346 A \* 7/1998 Gray et al. .... 206/228
- D399,421 S \* 10/1998 Gray ..... D9/749

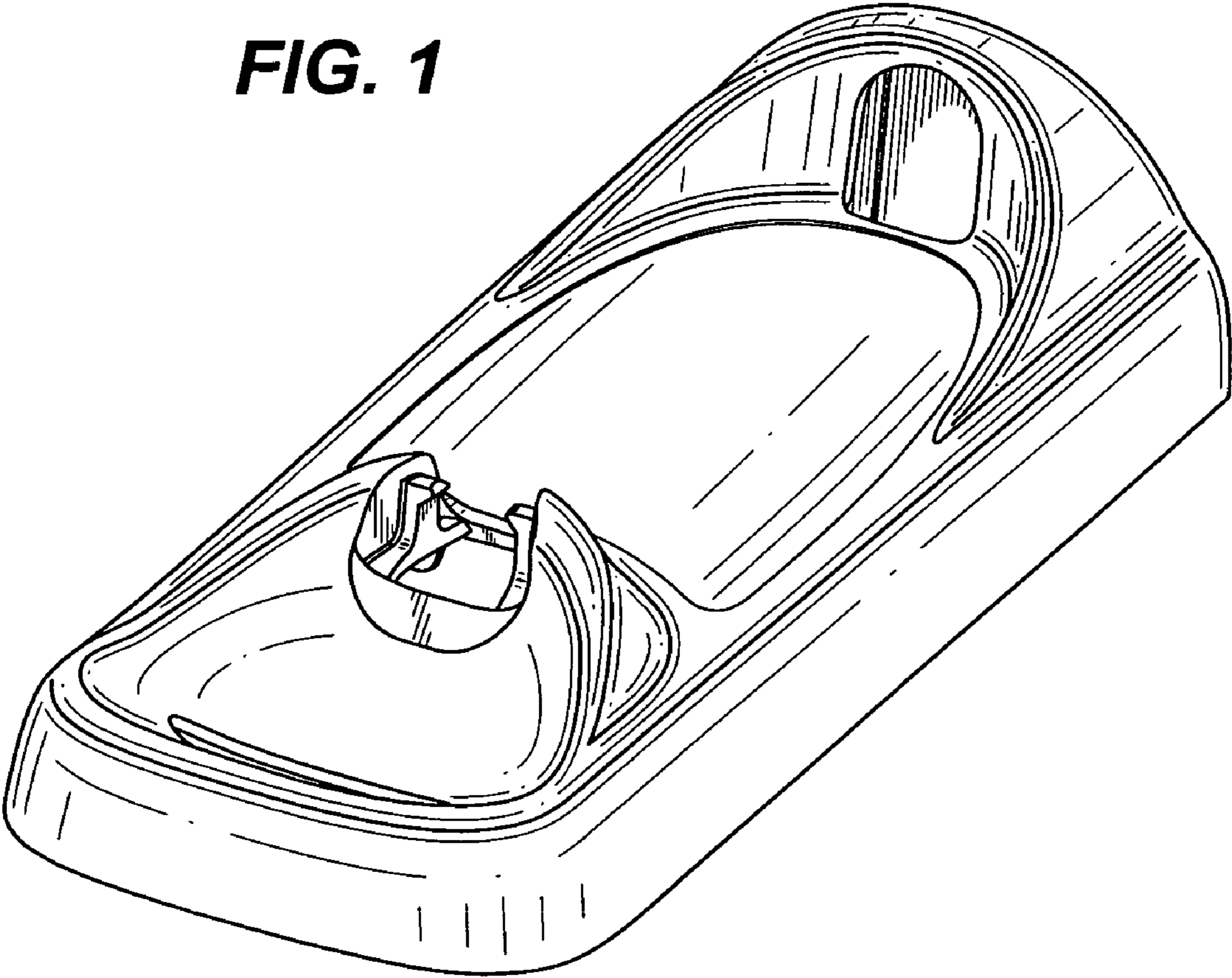
FIG. 6 is a bottom plan view thereof; and,

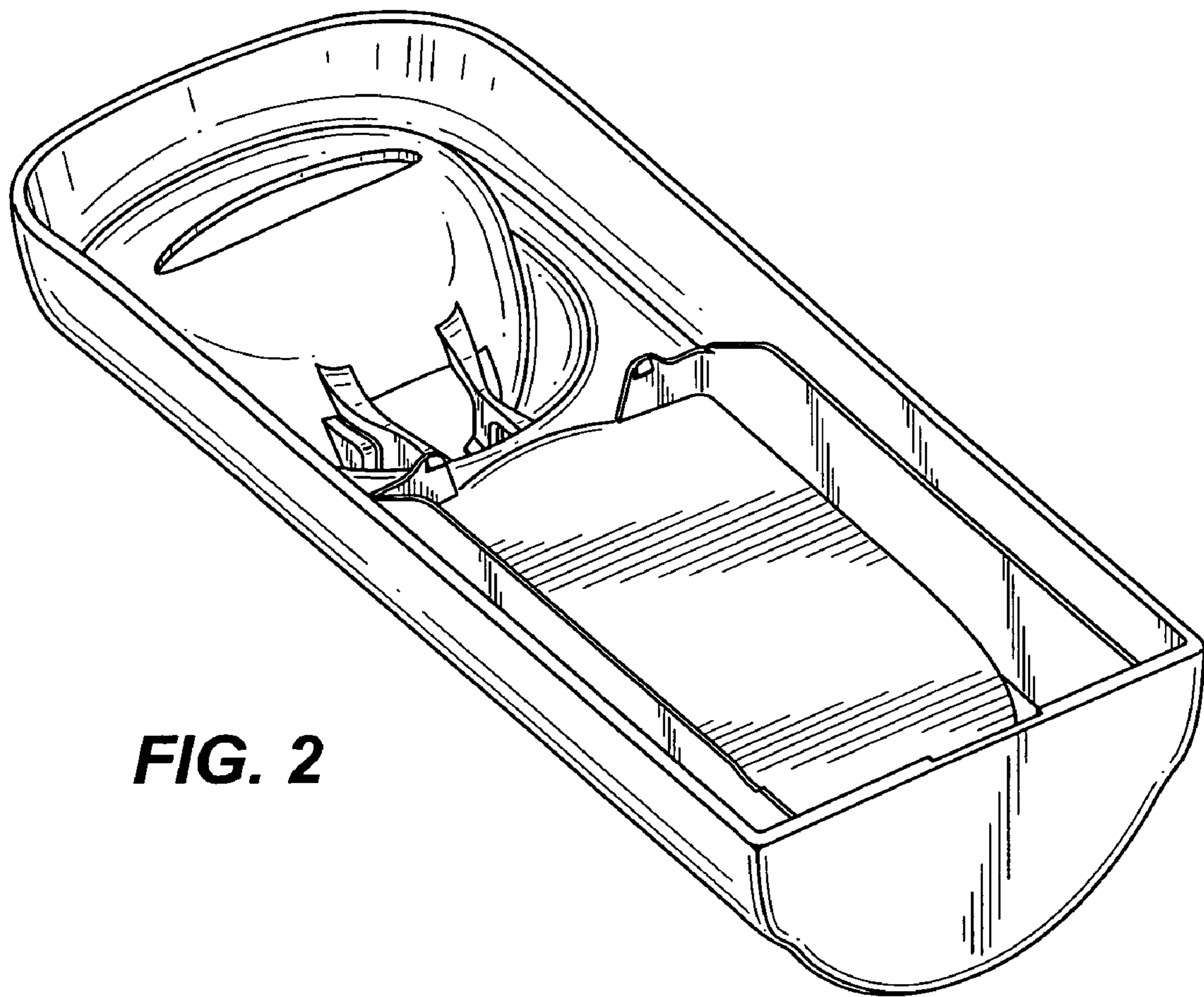
FIG. 7 is a rear elevational view thereof.

**1 Claim, 4 Drawing Sheets**



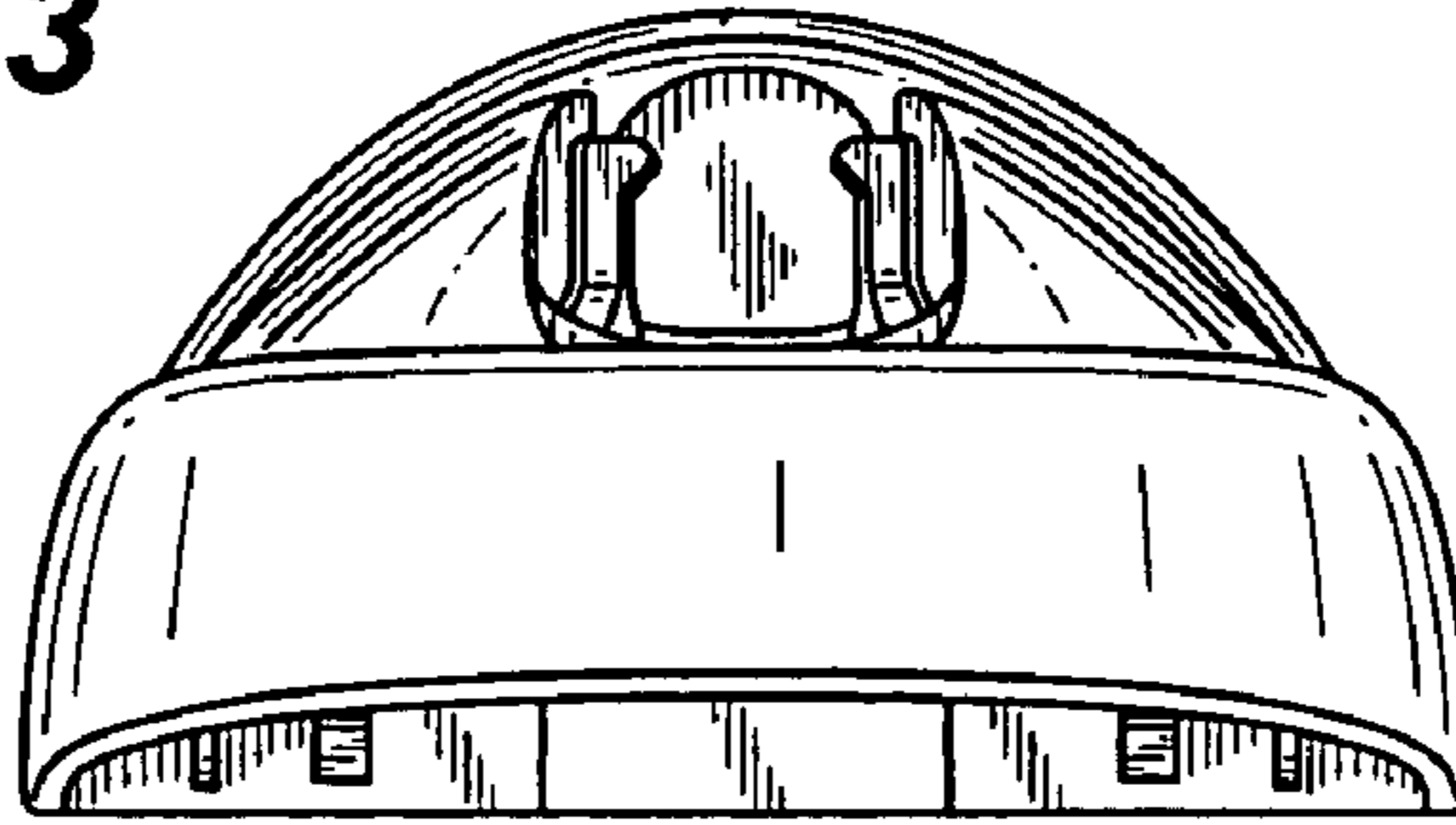
**FIG. 1**



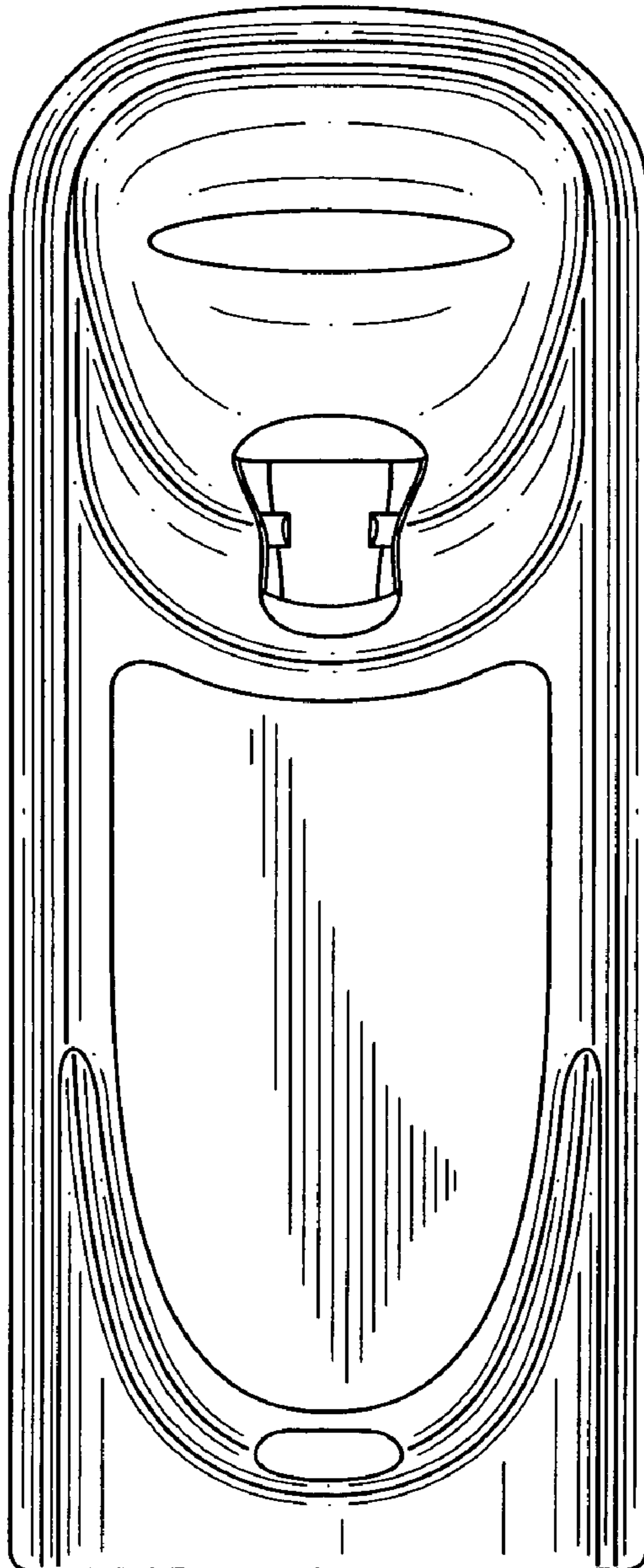


**FIG. 2**

**FIG. 3**

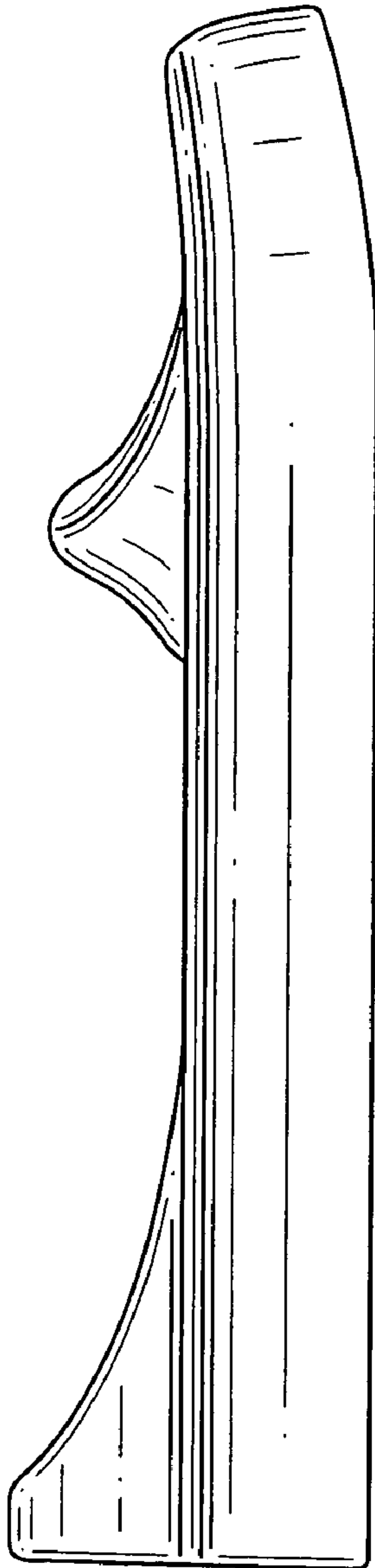


**FIG. 4**

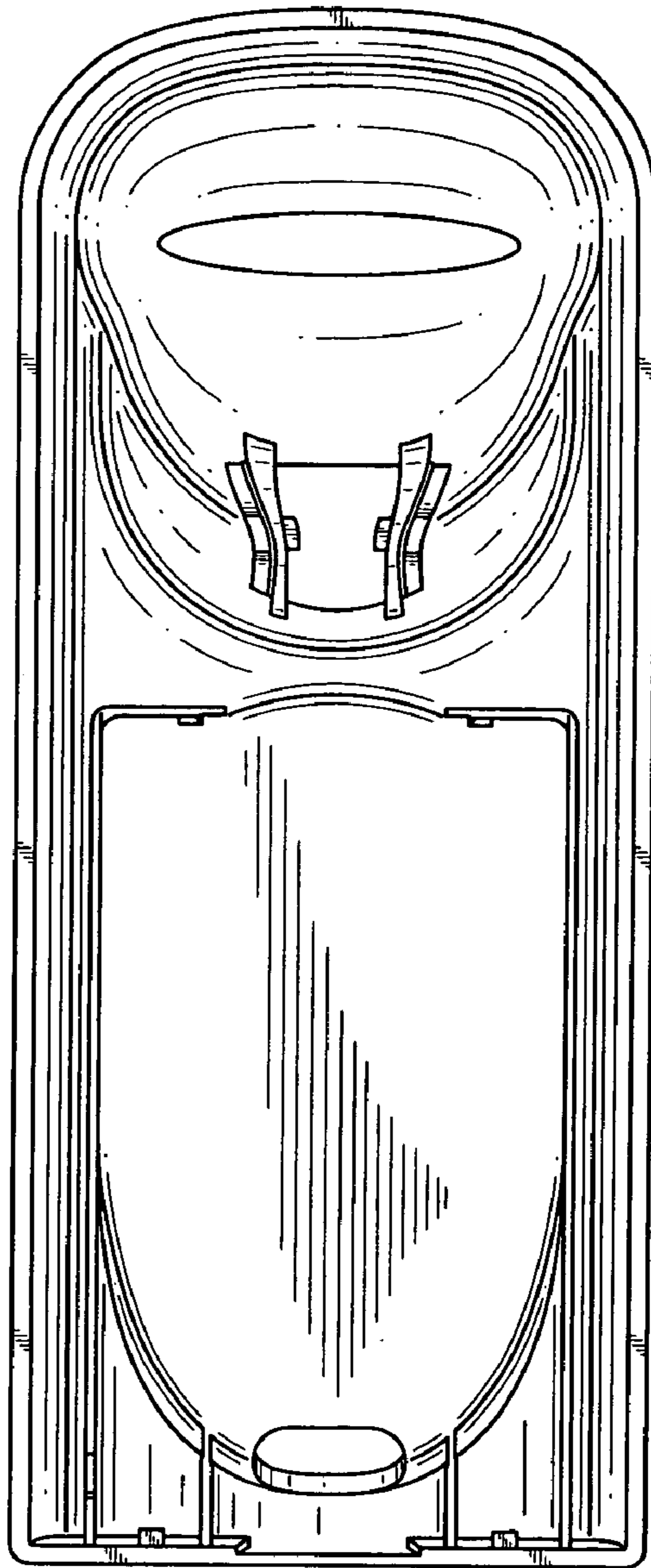




**FIG. 5**



**FIG. 6**



**FIG. 7**

