

US00D546197S

(12) **United States Design Patent** (10) **Patent No.:** **US D546,197 S**  
**Williams** (45) **Date of Patent:** **\*\* Jul. 10, 2007**

(54) **ASSEMBLY OF GOLF TEES WITH HANGING HOOK**

D509,440 S 9/2005 Thornber et al.  
6,988,646 B2 \* 1/2006 White ..... 224/576  
2004/0262344 A1 12/2004 White  
2005/0090576 A1 4/2005 Stevens

(76) Inventor: **Robert D. Williams**, 7530 So. Mt. Owen, Littleton, CO (US) 80127

FOREIGN PATENT DOCUMENTS

(\*\*) Term: **14 Years**

GB 2 368 802 A 5/2002

(21) Appl. No.: **29/265,776**

\* cited by examiner

(22) Filed: **Sep. 9, 2006**

*Primary Examiner*—Stella Reid  
*Assistant Examiner*—Shanda C. Hill  
(74) *Attorney, Agent, or Firm*—James K. Poole, Esq.

(51) **LOC (8) Cl.** ..... **09-03**

(52) **U.S. Cl.** ..... **D9/722**

(58) **Field of Classification Search** ..... D9/715,  
D9/718, 722, 415; D6/315, 317, 326, 328;  
D21/319, 717-719; 206/216, 315.1, 524.1,  
206/527; 273/317.2; 434/252; 248/387,  
248/473; 224/249, 250, 576, 918; 211/85.3;  
223/85

(57) **CLAIM**

See application file for complete search history.

The ornamental design for an assembly of golf tees with hanging hook, as shown and described.

**DESCRIPTION**

(56) **References Cited**

U.S. PATENT DOCUMENTS

1,788,177 A 1/1931 Traute  
1,864,516 A 6/1932 Becket  
2,112,339 A \* 3/1938 Kasperek ..... 224/249  
2,459,006 A \* 1/1949 Sova ..... 211/85.3  
2,560,414 A 7/1951 Cheney  
2,564,955 A \* 8/1951 Brooks ..... 224/191  
4,498,615 A 2/1985 Johnson  
4,516,773 A 5/1985 Martin  
5,221,090 A 6/1993 Hong  
D345,909 S \* 4/1994 Winston ..... D9/415  
5,372,362 A 12/1994 Barker  
5,476,289 A 12/1995 Hoyt et al.  
5,765,734 A \* 6/1998 Silverberg ..... 224/250  
6,006,963 A \* 12/1999 Paine ..... 223/85  
D464,810 S \* 10/2002 Thesen et al. .... D6/315  
D480,301 S \* 10/2003 Pratt ..... D9/415

FIG. 1 is a perspective view of an assembly of golf tees with hanging hook showing my new design;  
FIG. 2 is a top plan view thereof;  
FIG. 3 is a front view thereof;  
FIG. 4 is a left side view thereof;  
FIG. 5 is right side view thereof;  
FIG. 6 is a bottom plan view thereof;  
FIG. 7 is a perspective view of a golf tee separated from the assembly of golf tees with hanging hook;  
FIG. 8 is a top plan view thereof;  
FIG. 9 is a bottom plan view thereof;  
FIG. 10 is a side view of FIG. 7, wherein the opposite side view is a mirror image thereof; and,  
FIG. 11 is a front view of FIG. 7, wherein the opposite view is a mirror image thereof.

**1 Claim, 6 Drawing Sheets**

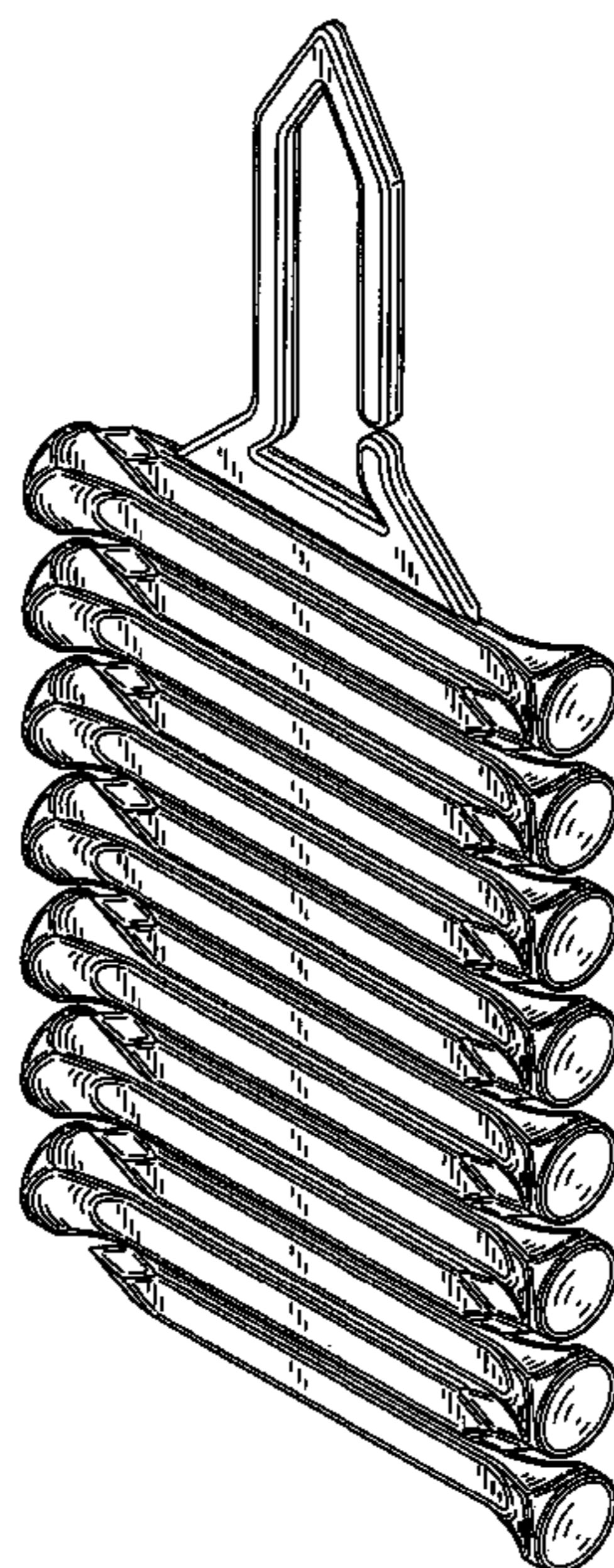


FIG. 1

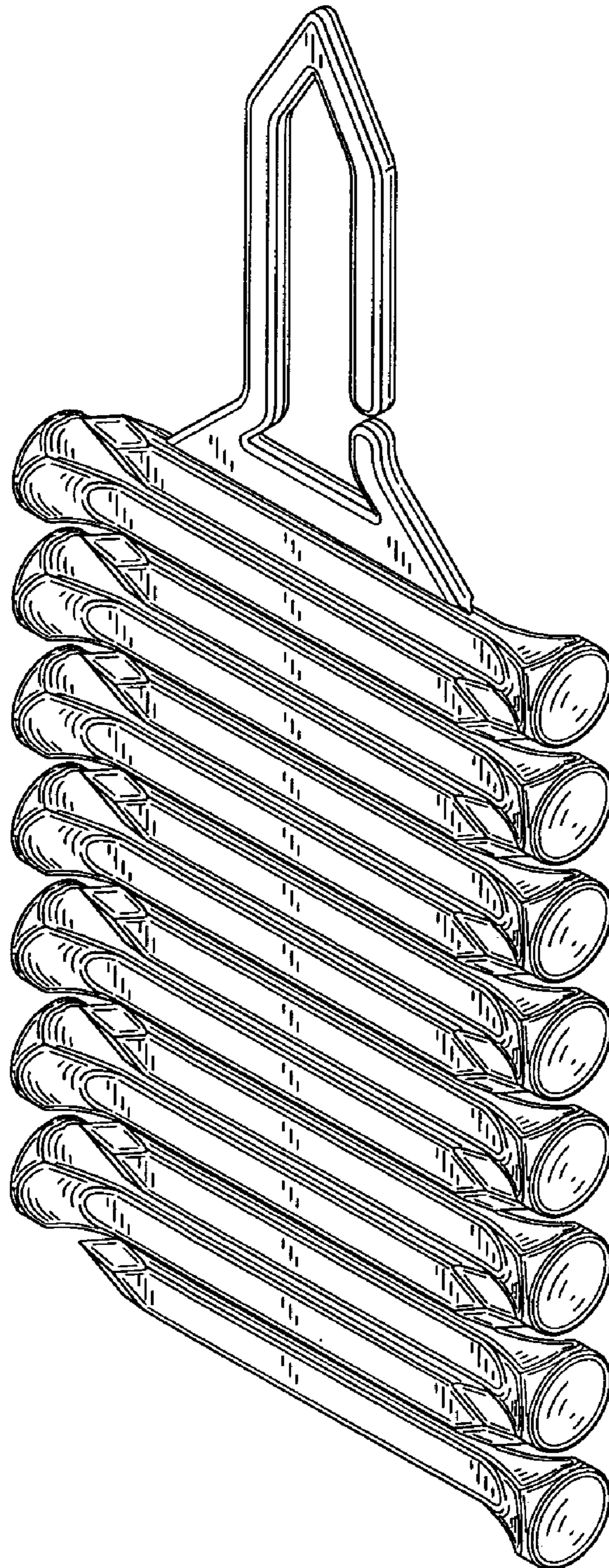


FIG. 2

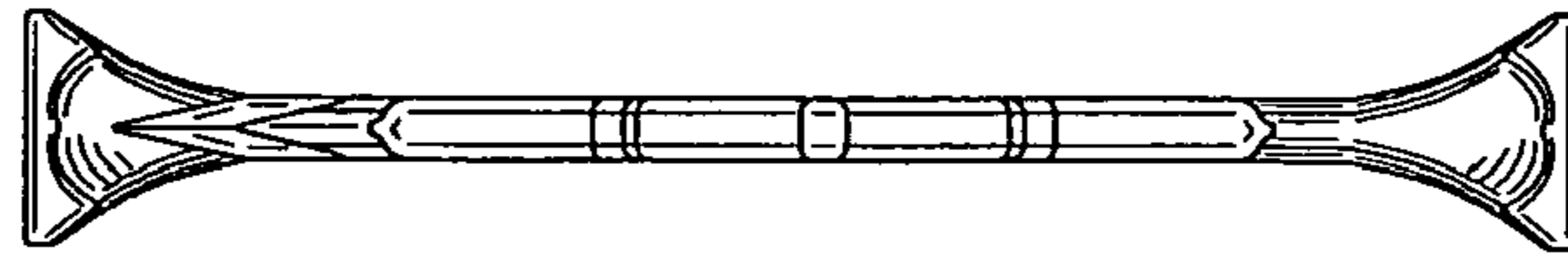


FIG. 3

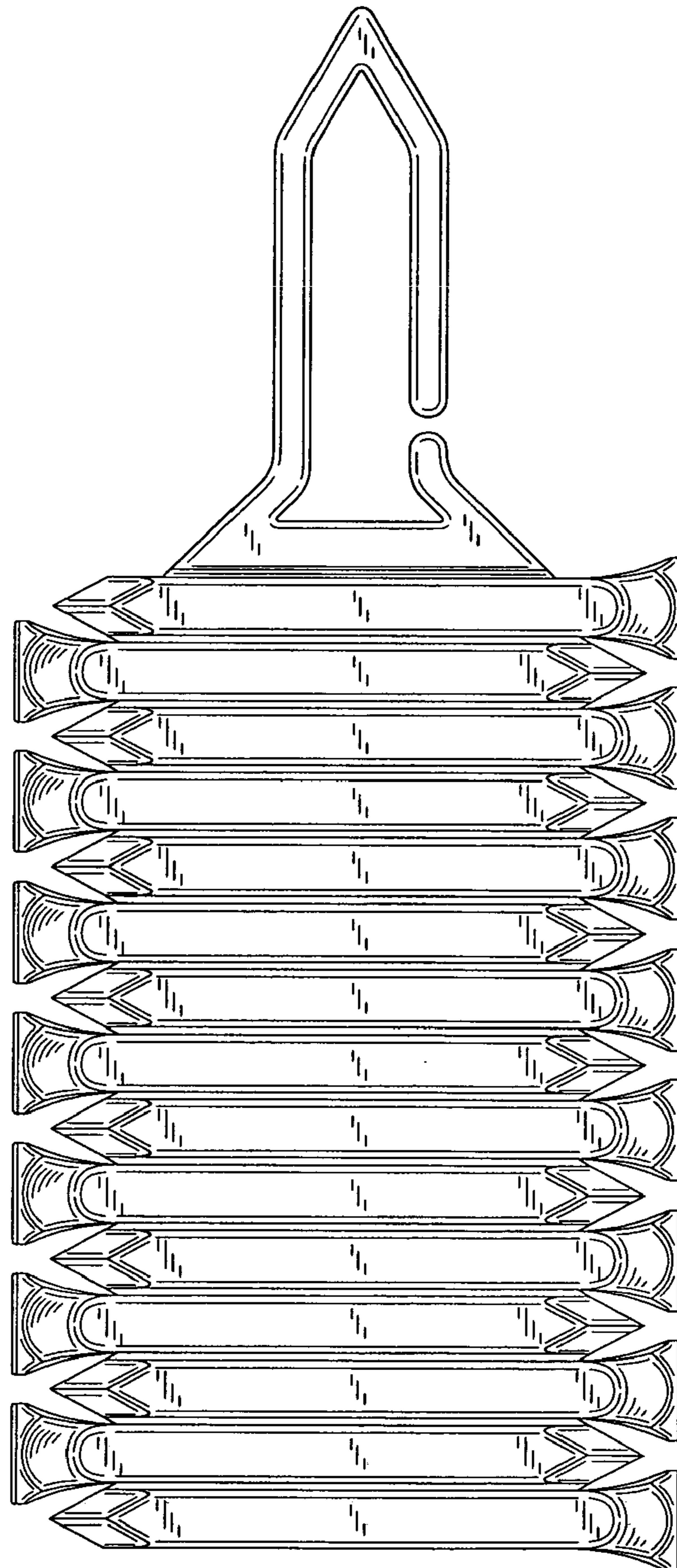


FIG. 4

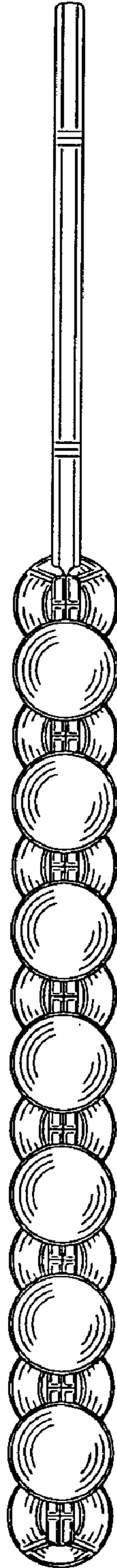


FIG. 5

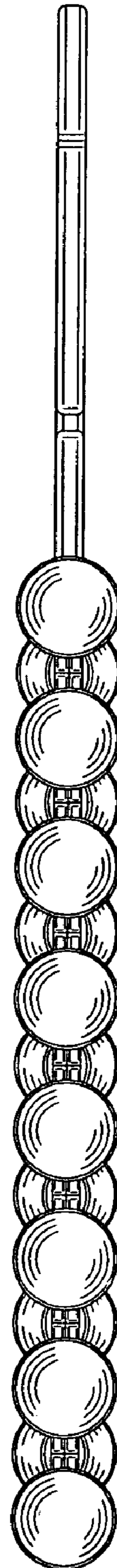


FIG. 6

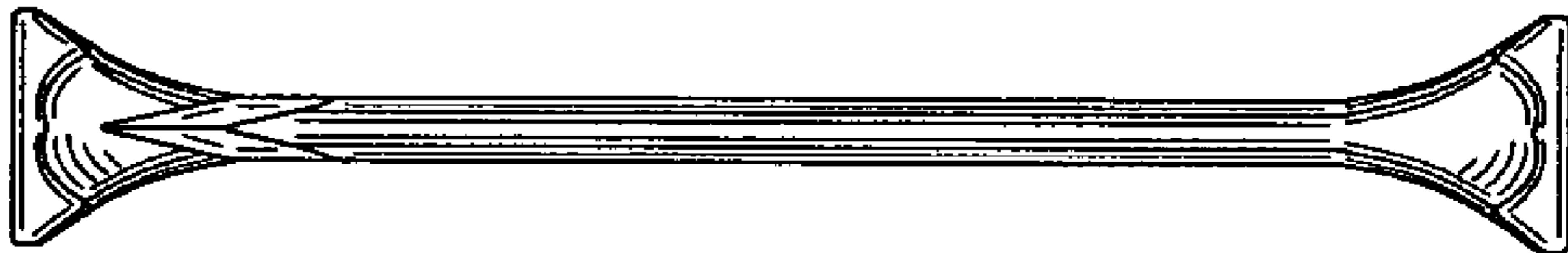


FIG. 7

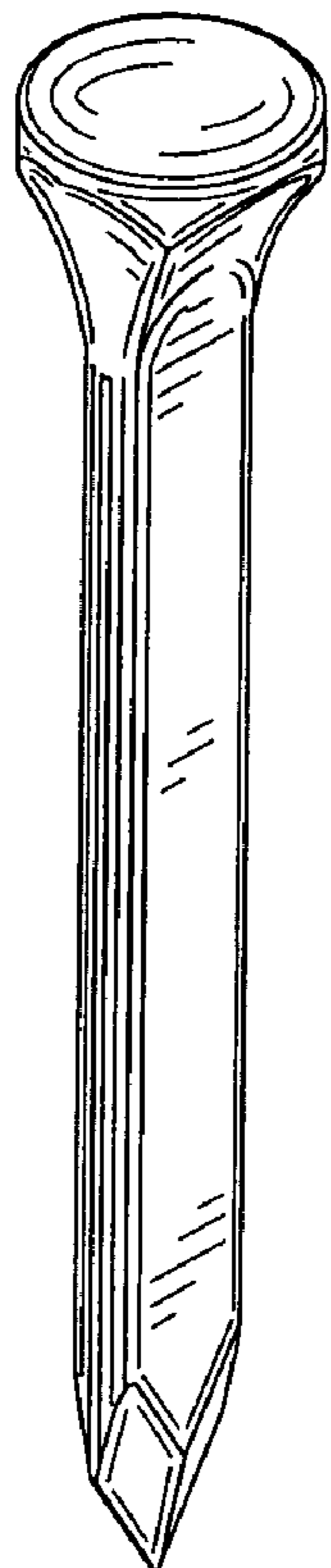


FIG. 8

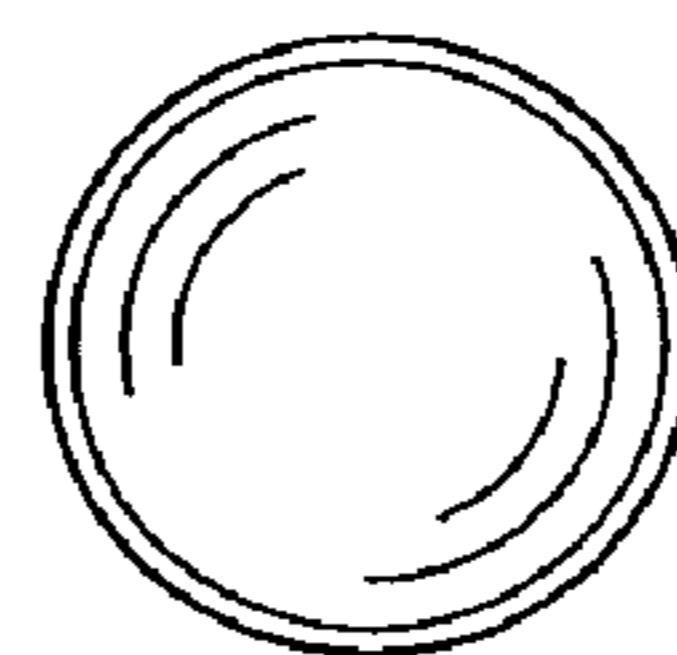


FIG. 9

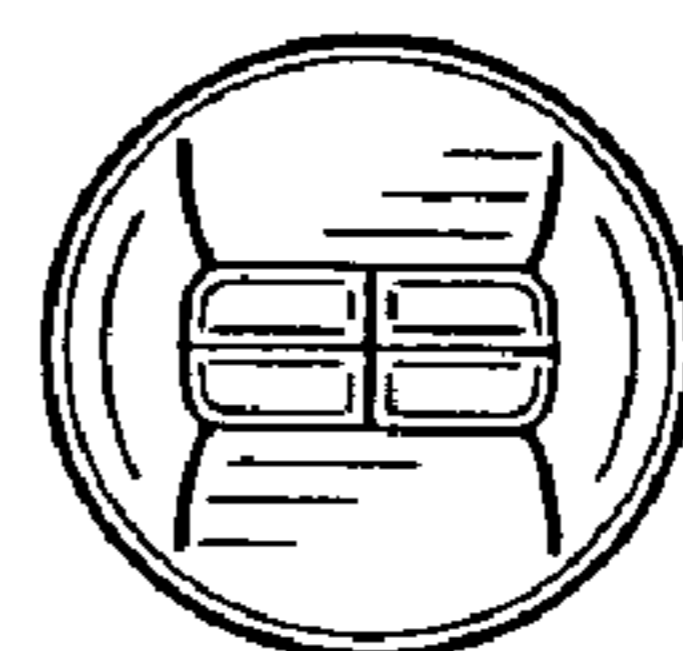


FIG. 10

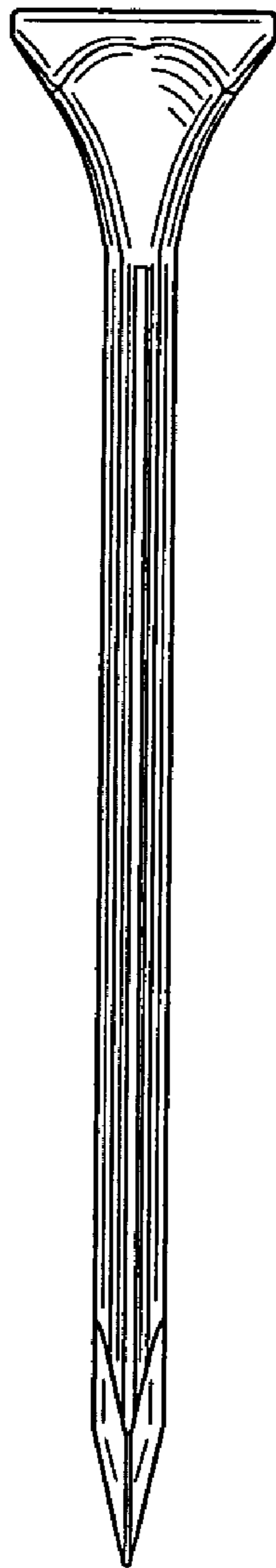


FIG. 11

