



US00D546194S

(12) **United States Design Patent** (10) **Patent No.:** **US D546,194 S**
Silberfenig et al. (45) **Date of Patent:** **** Jul. 10, 2007**

(54) **PACKAGING FOR DISPENSING A FLUID**

(76) Inventors: **Shimon Silberfenig**, 26130 Alizia Cayon Dr. "B", Calabasas, CA (US) 91302; **Lori L. Klein**, 26130 Alizia Cayon Dr. "B", Calabasas, CA (US) 91302

(**) Term: **14 Years**

(21) Appl. No.: **29/253,386**

(22) Filed: **Feb. 6, 2006**

(51) **LOC (8) Cl.** **09-01**

(52) **U.S. Cl.** **D9/639; D23/328; D21/510**

(58) **Field of Classification Search** D9/600, D9/636-639, 685; D21/510, 789; D23/328, D23/332, 379, 222; 222/263; 416/95, 146 R; 206/457-458; 220/890; 229/116.1-116.3; 215/400

See application file for complete search history.

(56) **References Cited**

U.S. PATENT DOCUMENTS

| | | | | |
|--------------|---------|----------------|-------|---------|
| D198,463 S * | 6/1964 | Rasmussen | | D21/510 |
| D201,982 S * | 8/1965 | Frederickson | | D21/510 |
| 3,997,115 A | 12/1976 | Licudine | | |
| 4,700,494 A | 10/1987 | Pridgen | | |
| 4,839,106 A | 6/1989 | Steiner | | |
| D308,182 S * | 5/1990 | Miller | | D21/510 |
| D349,954 S | 8/1994 | Steiner et al. | | |
| 5,338,495 A | 8/1994 | Steiner et al. | | |
| 5,620,633 A | 4/1997 | Junkel et al. | | |

| | | | | |
|--------------|---------|---------------|-------|---------|
| 5,667,731 A | 9/1997 | Junkel et al. | | |
| D386,572 S | 11/1997 | Radtke et al. | | |
| D387,852 S | 12/1997 | Radtke et al. | | |
| 5,715,999 A | 2/1998 | Hsu | | |
| 5,752,662 A | 5/1998 | Hsu | | |
| D414,223 S * | 9/1999 | Lam | | D21/510 |
| 5,965,067 A | 10/1999 | Junkel et al. | | |
| 6,827,290 B2 | 12/2004 | Zimmerman | | |
| D505,471 S * | 5/2005 | Caramico | | D21/789 |

OTHER PUBLICATIONS

The Chemist and Druggist Magazine, Sep. 25, 1954, p. 23, Windmill bottle.*

* cited by examiner

Primary Examiner—Sandra L. Morris

(74) *Attorney, Agent, or Firm*—Eric Karich

(57) **CLAIM**

The ornamental design for a "packaging for dispensing a fluid," as shown and described.

DESCRIPTION

FIG. 1 is a front elevational view of a packaging for dispensing a fluid, showing my new design;

FIG. 2 is a rear elevational view thereof;

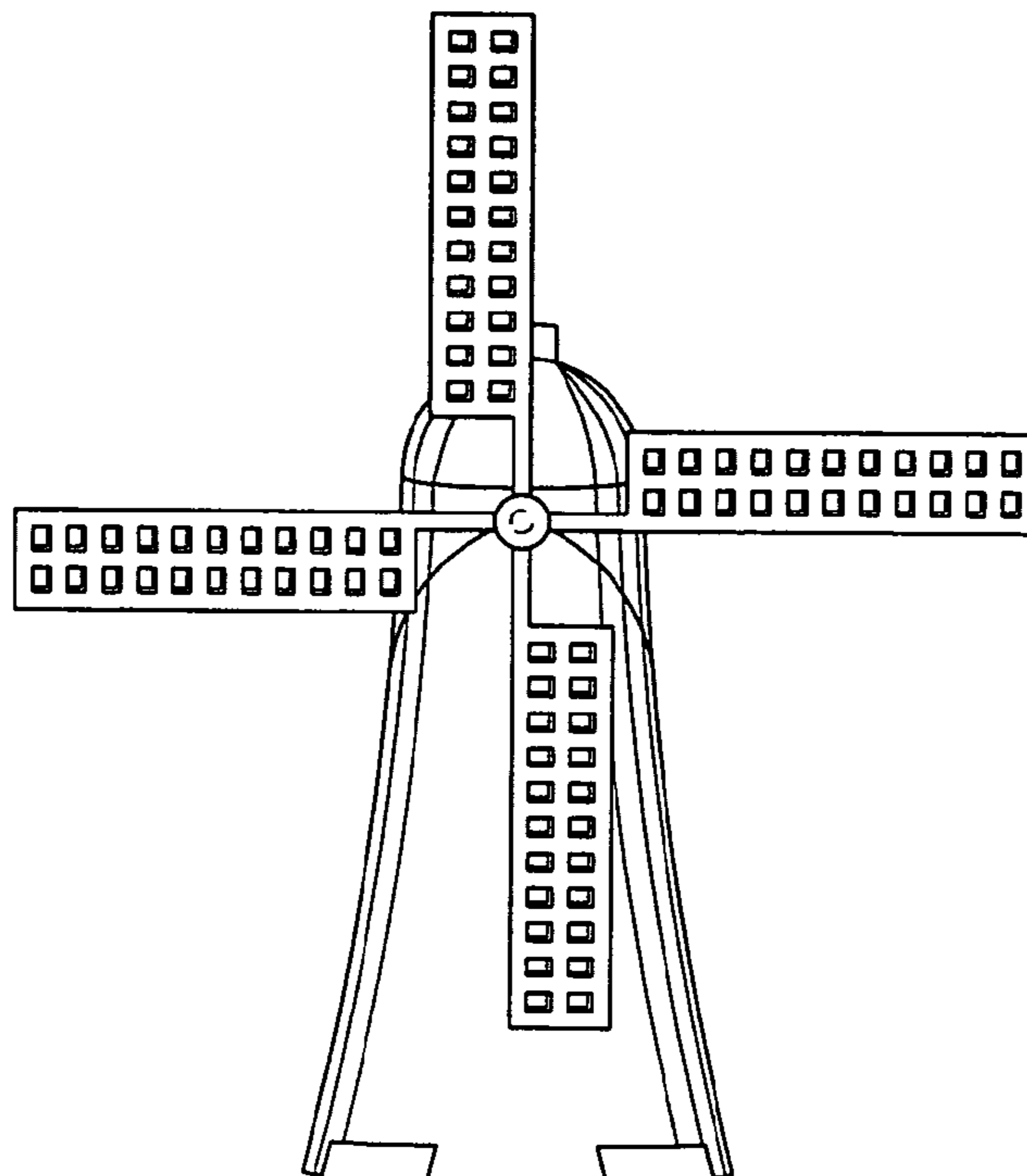
FIG. 3 is a left side elevational view thereof;

FIG. 4 is a right side elevational view thereof;

FIG. 5 is a top plan view thereof; and,

FIG. 6 is a bottom plan view thereof.

1 Claim, 3 Drawing Sheets



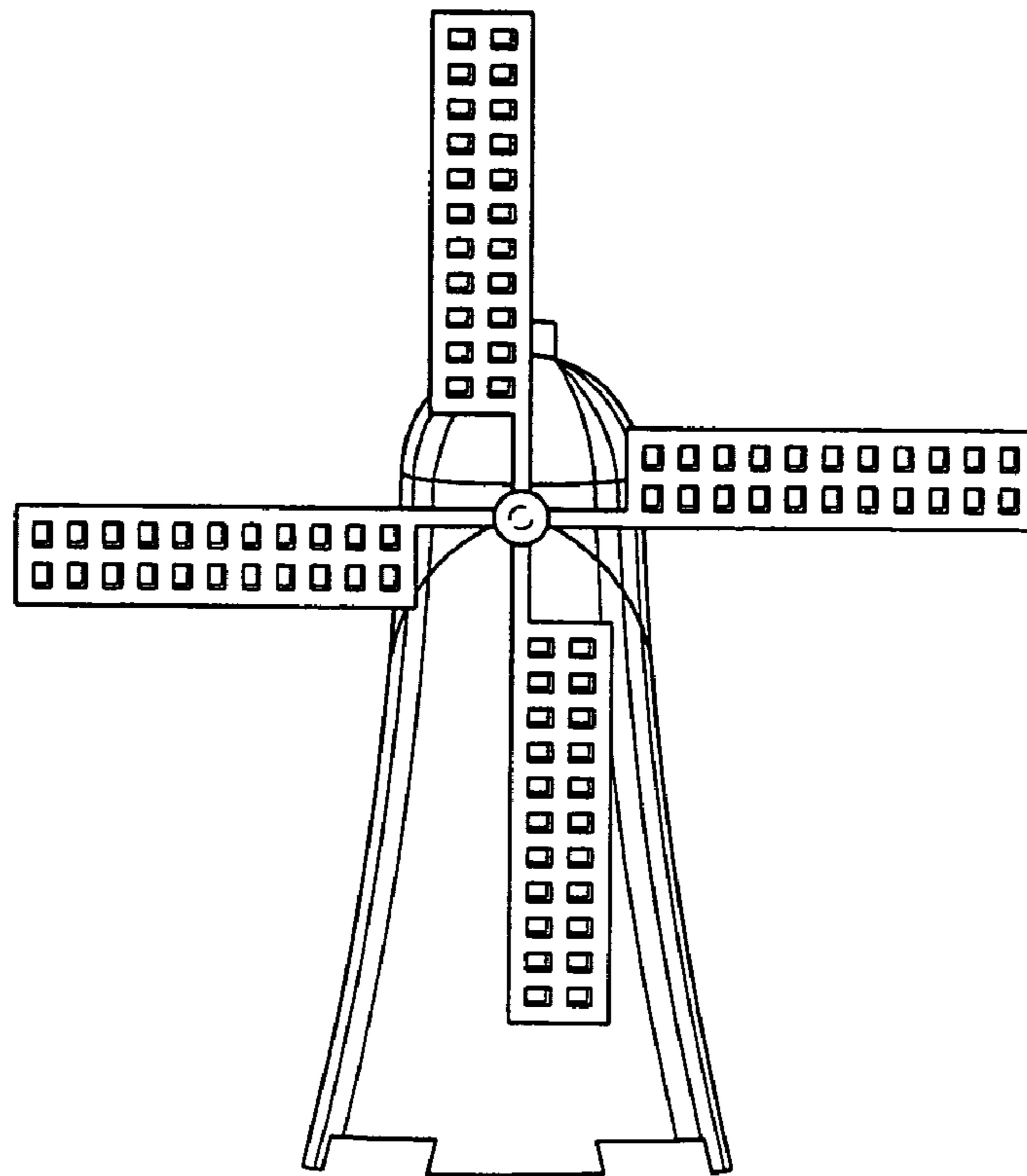


FIG. 1

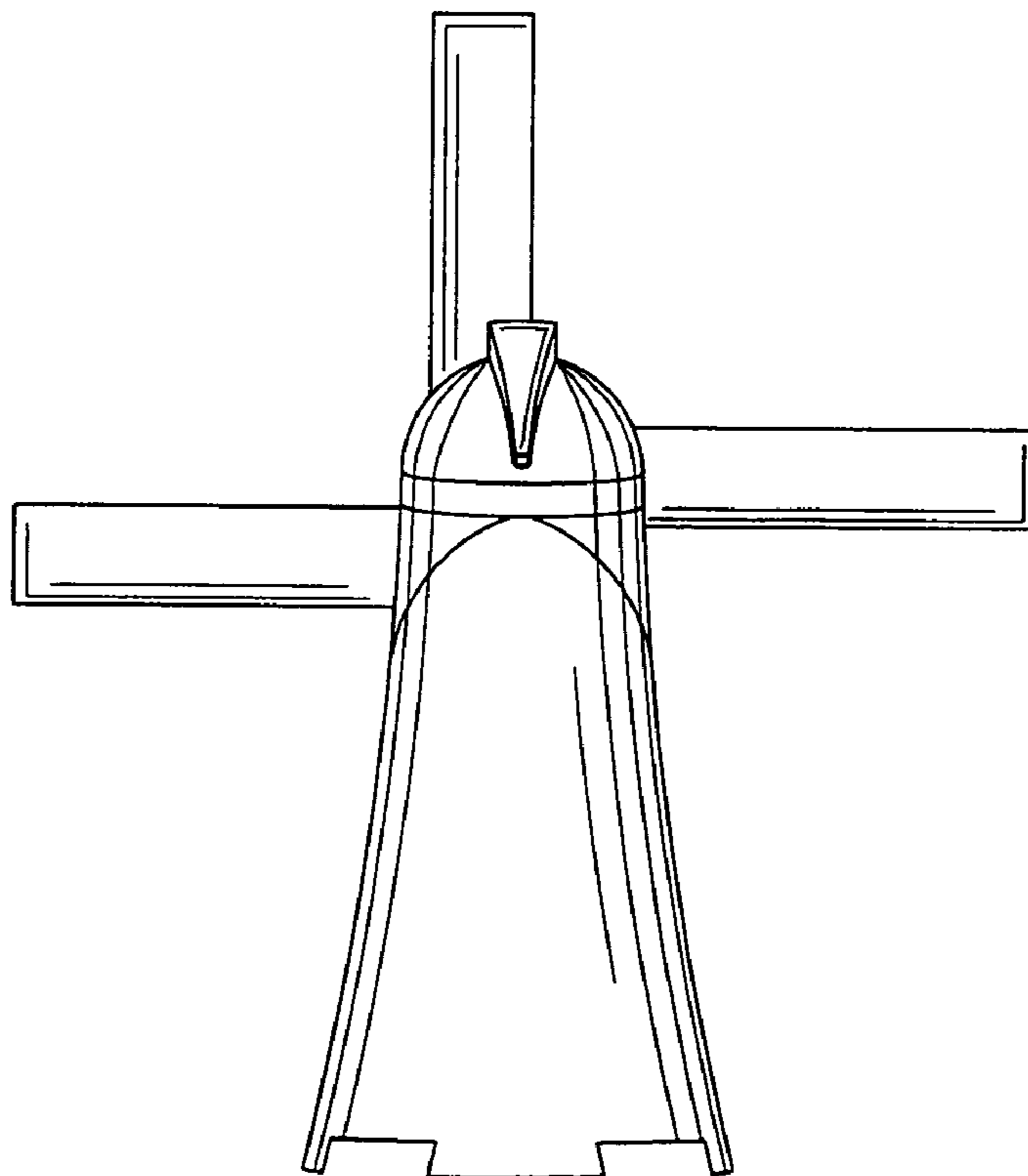


FIG. 2

FIG. 3

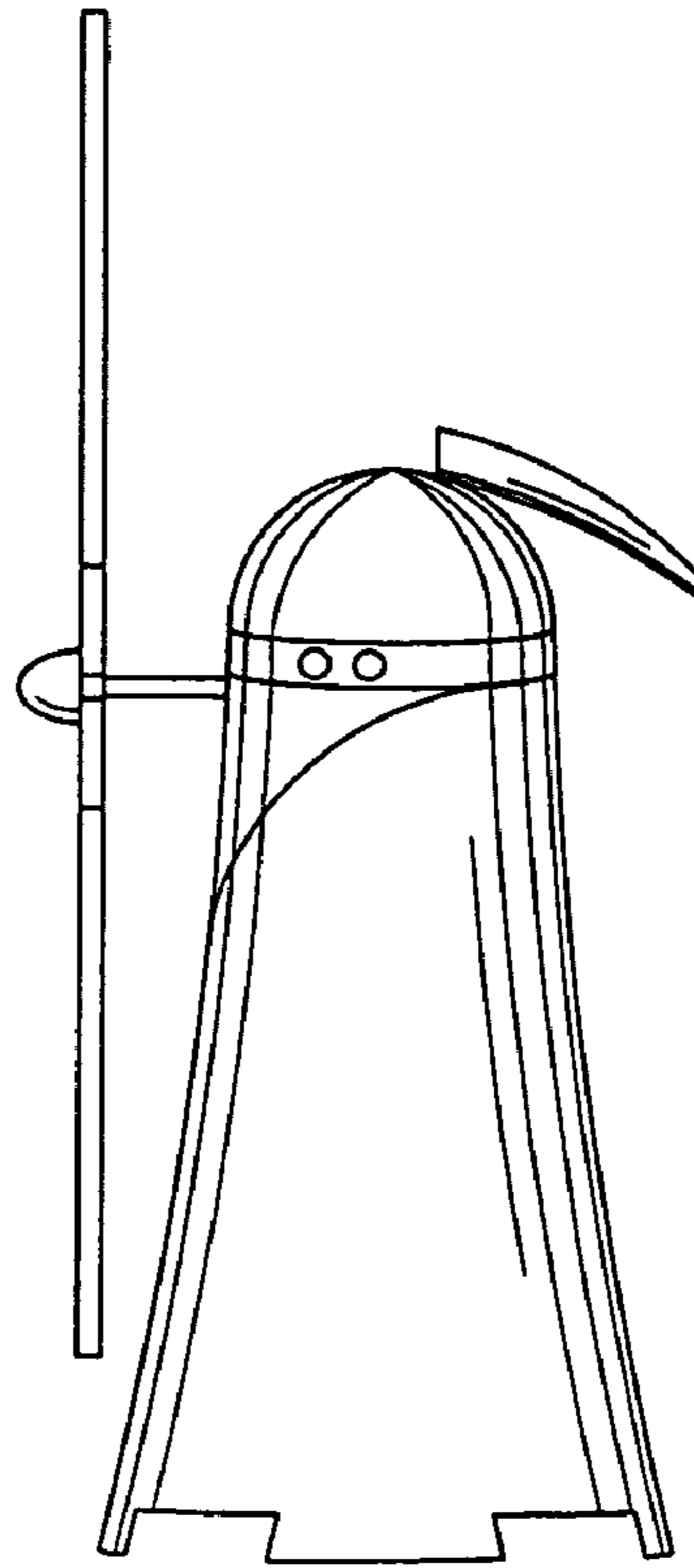
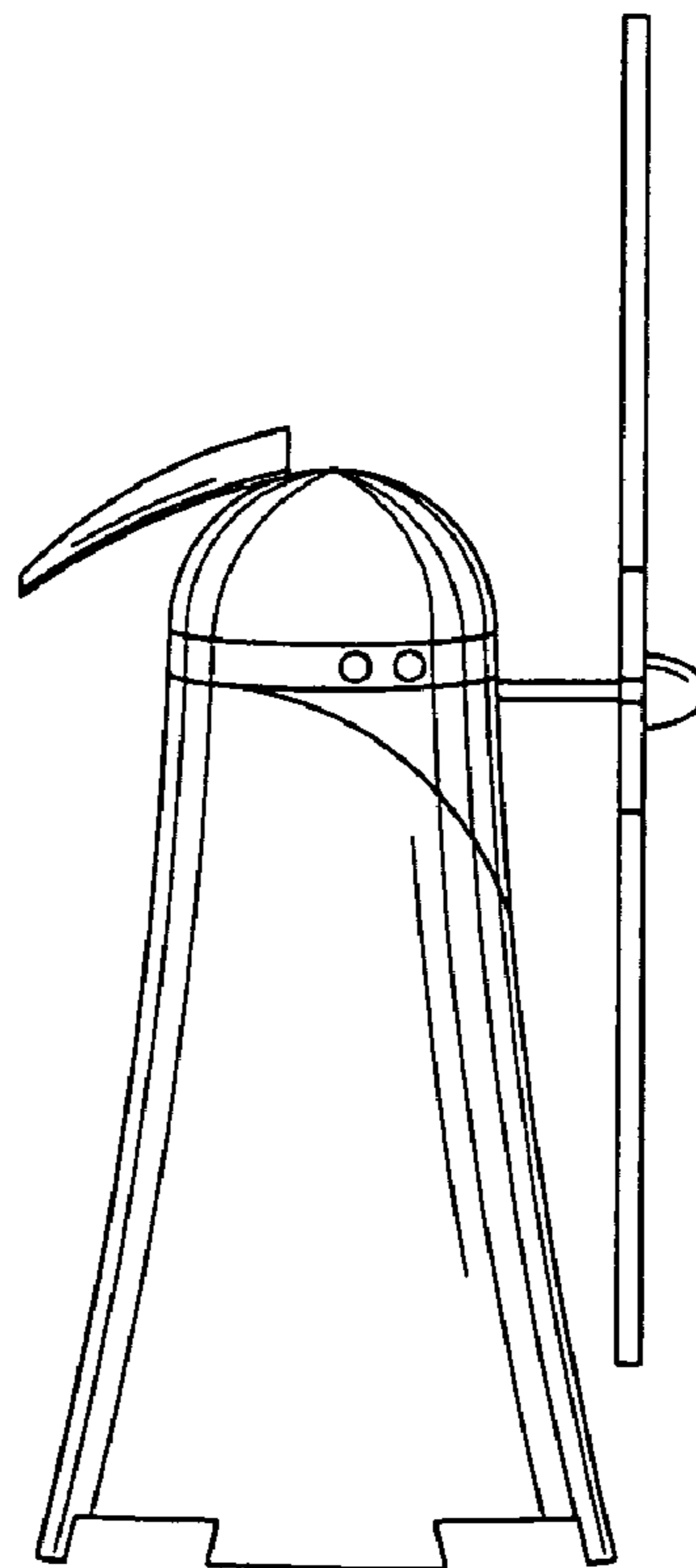


FIG. 4



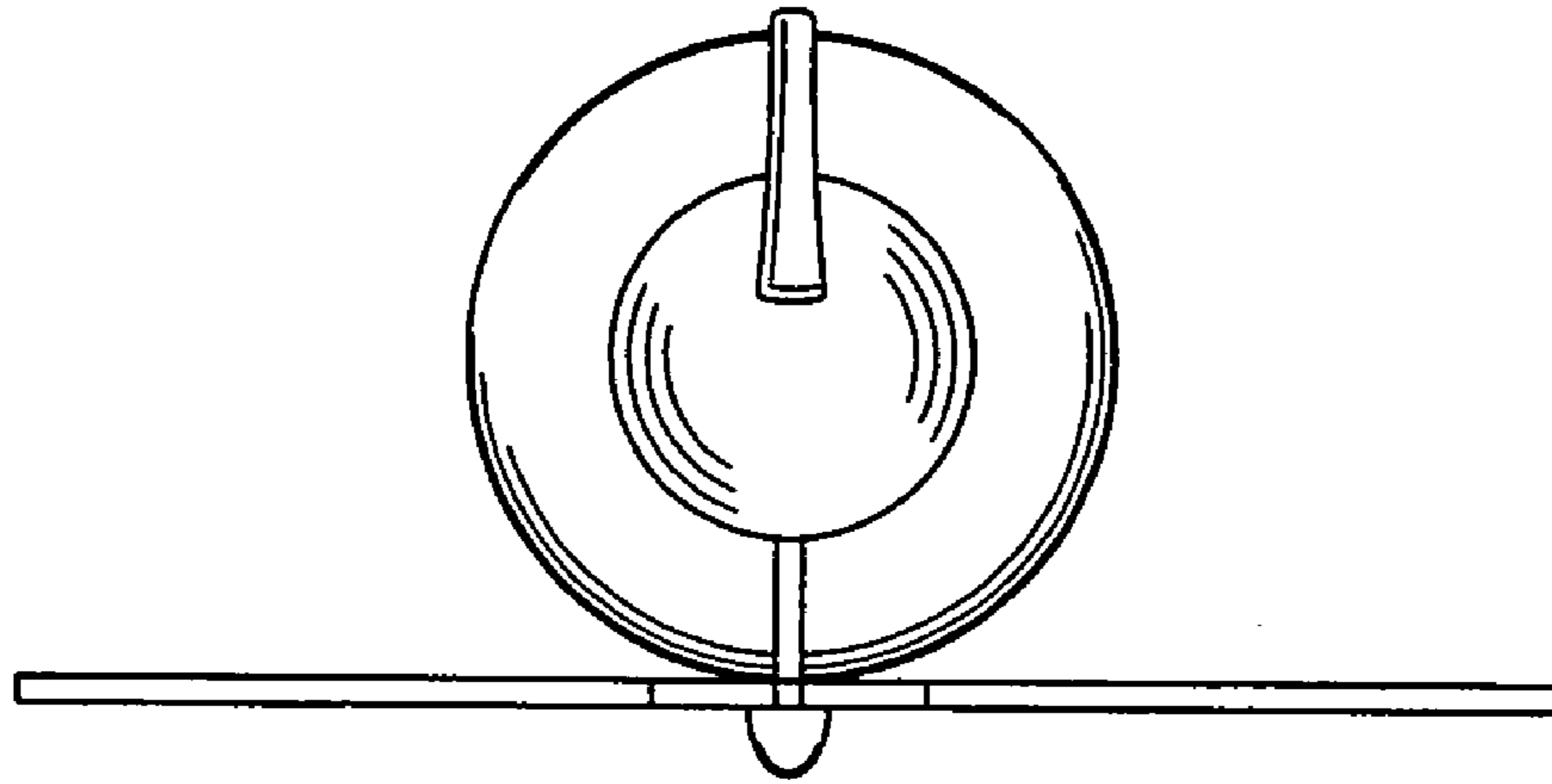


FIG. 5

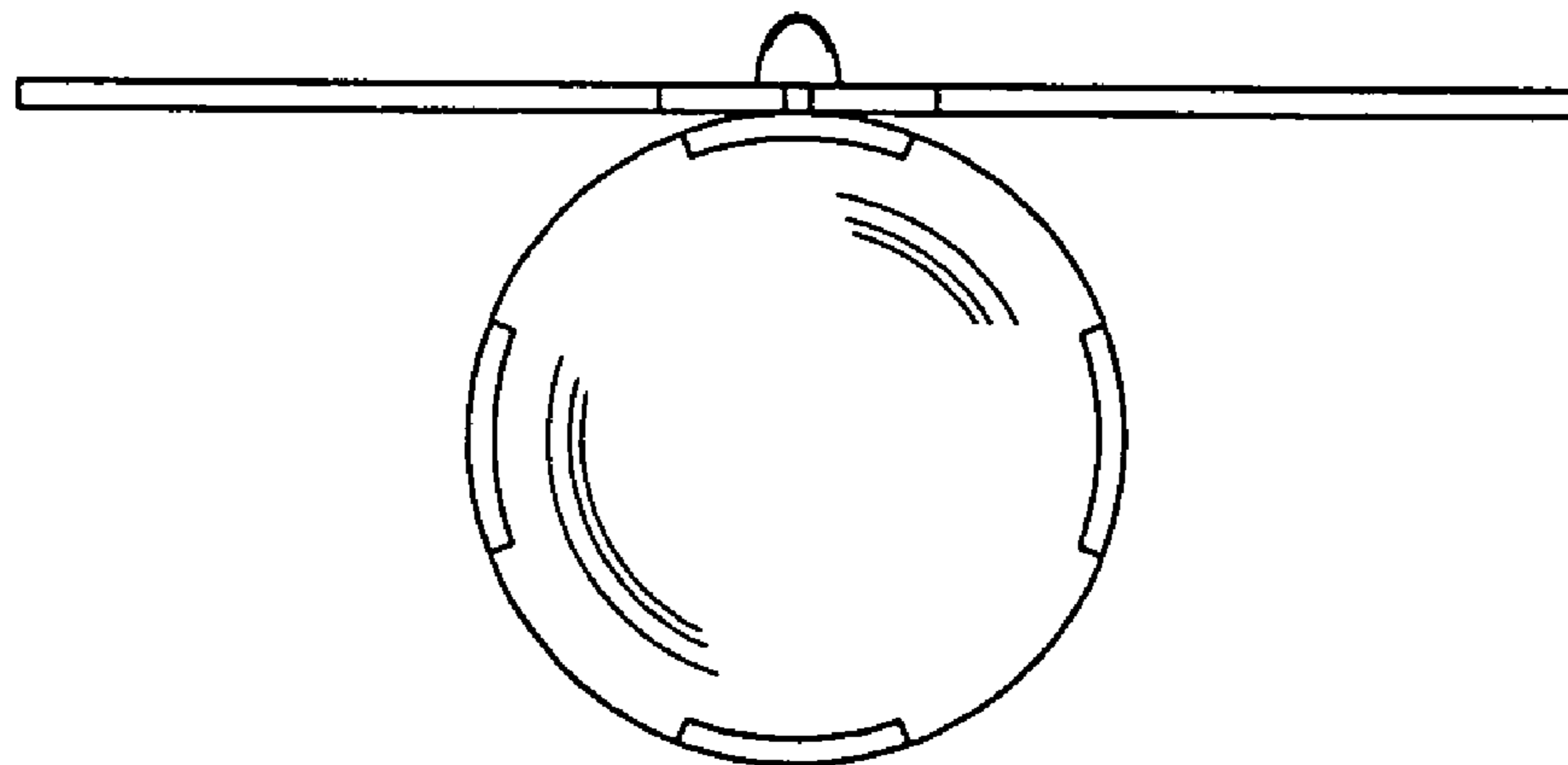


FIG. 6