



US00D546188S

(12) **United States Design Patent**
Penfold et al.

(10) **Patent No.:** **US D546,188 S**

(45) **Date of Patent:** **** Jul. 10, 2007**

(54) **JAR**

(75) Inventors: **Christopher Michael Penfold**,
Nottingham (GB); **Martin Christopher**
Bunce, Pewsey (GB)

(73) Assignee: **Reckitt & Colman (Overseas)**
Limited, Berkshire (GB)

(**) Term: **14 Years**

(21) Appl. No.: **29/252,592**

(22) Filed: **Jan. 26, 2006**

(30) **Foreign Application Priority Data**

Jul. 27, 2005 (EP) 000378625

(51) **LOC (8) Cl.** **09-01**

(52) **U.S. Cl.** **D9/529**

(58) **Field of Classification Search** D9/434,
D9/435, 445, 449, 516, 529, 530, 537, 538,
D9/541, 549, 550, 552, 556, 558, 559, 563,
D9/565, 571, 602, 766, 767; 215/382-384;
220/669, 675

See application file for complete search history.

(56) **References Cited**

U.S. PATENT DOCUMENTS

3,244,313 A * 4/1966 De Wayne Miles D9/504
D220,425 S * 4/1971 Bardell D9/556
D321,477 S * 11/1991 Gunter D9/503
D322,753 S * 12/1991 Sussman D9/504
D477,225 S * 7/2003 Pinnavaia D9/454
D525,136 S * 7/2006 Bakic D9/522

D530,572 S * 10/2006 Daams D7/615

* cited by examiner

Primary Examiner—Stella Reid

Assistant Examiner—Keli' L. Acker

(74) *Attorney, Agent, or Firm*—Rothwell, Figg, Ernst,
Manbeck, P.C.

(57) **CLAIM**

The ornamental design for a jar, as shown.

DESCRIPTION

FIG. 1 is a perspective view of a first embodiment of the jar
of the bottle of the present invention;

FIG. 2 is a right side view;

FIG. 3 is a left side view;

FIG. 4 is a front view;

FIG. 5 is a rear view;

FIG. 6 is a top view; and

FIG. 7 is a bottom view.

FIG. 8 is a perspective view of a second embodiment of the
jar of the present invention;

FIG. 9 is a right side view;

FIG. 10 is a left side view;

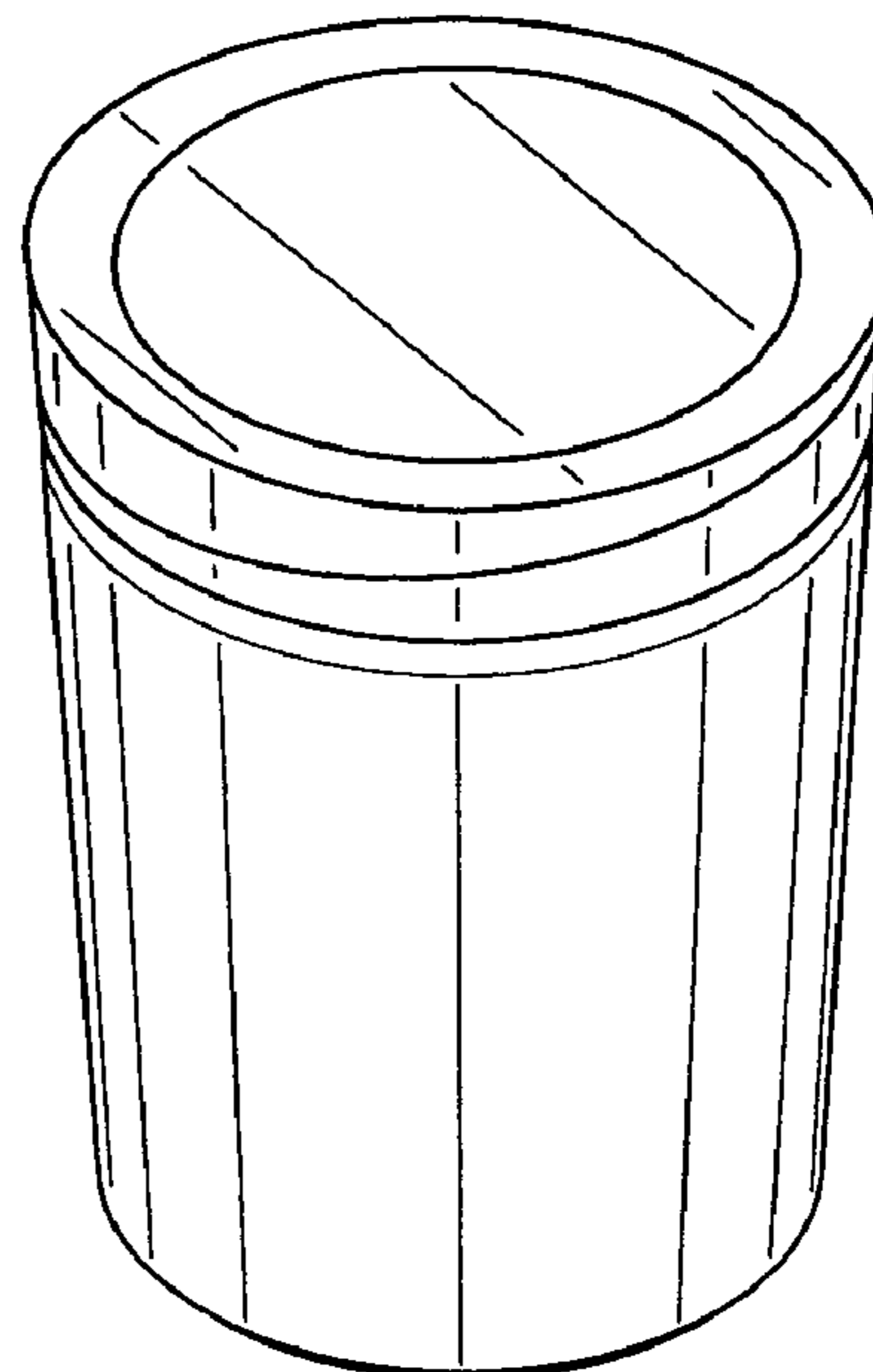
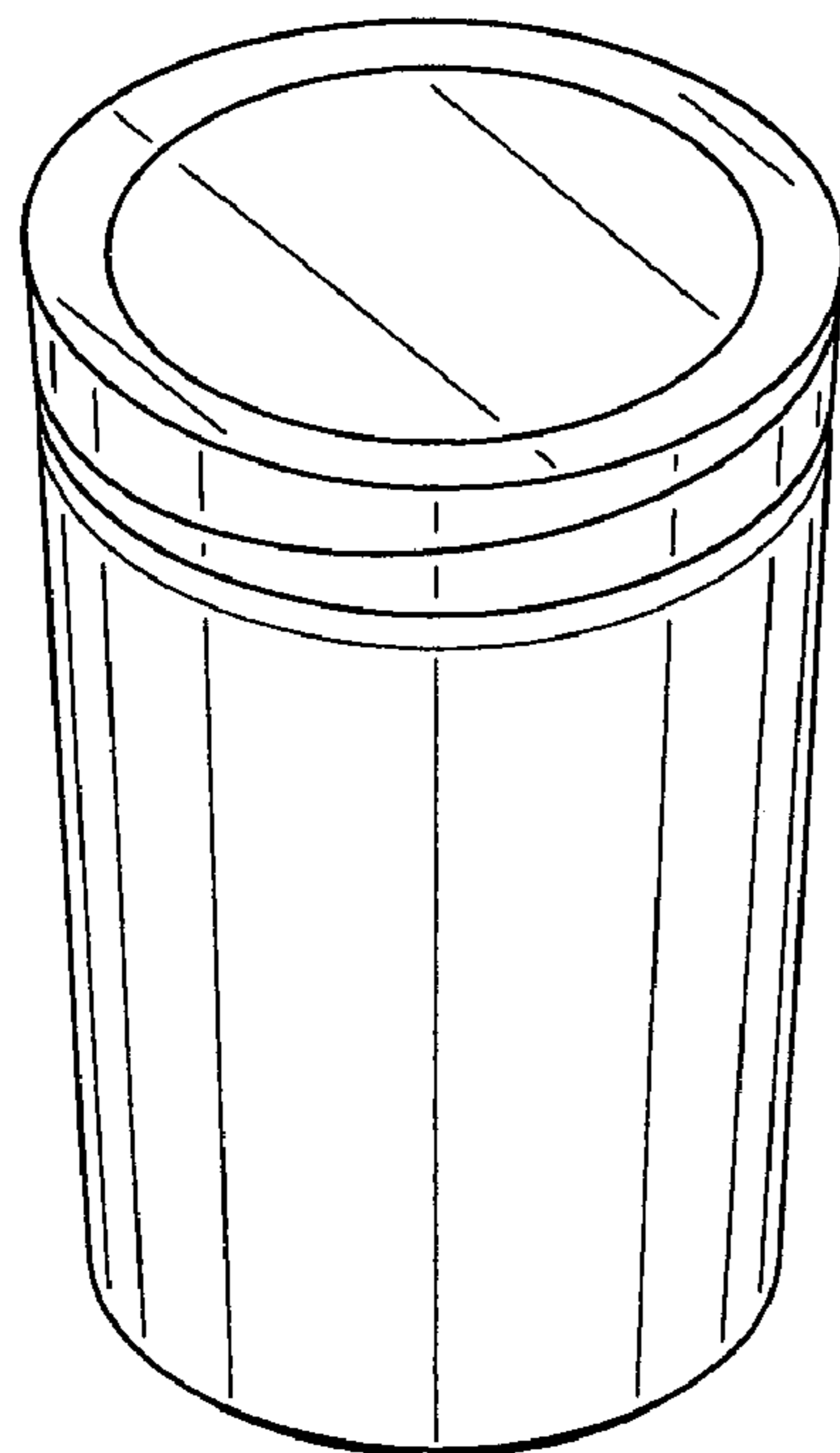
FIG. 11 is a front view;

FIG. 12 is a rear view;

FIG. 13 is a top view; and,

FIG. 14 is a bottom view.

1 Claim, 4 Drawing Sheets



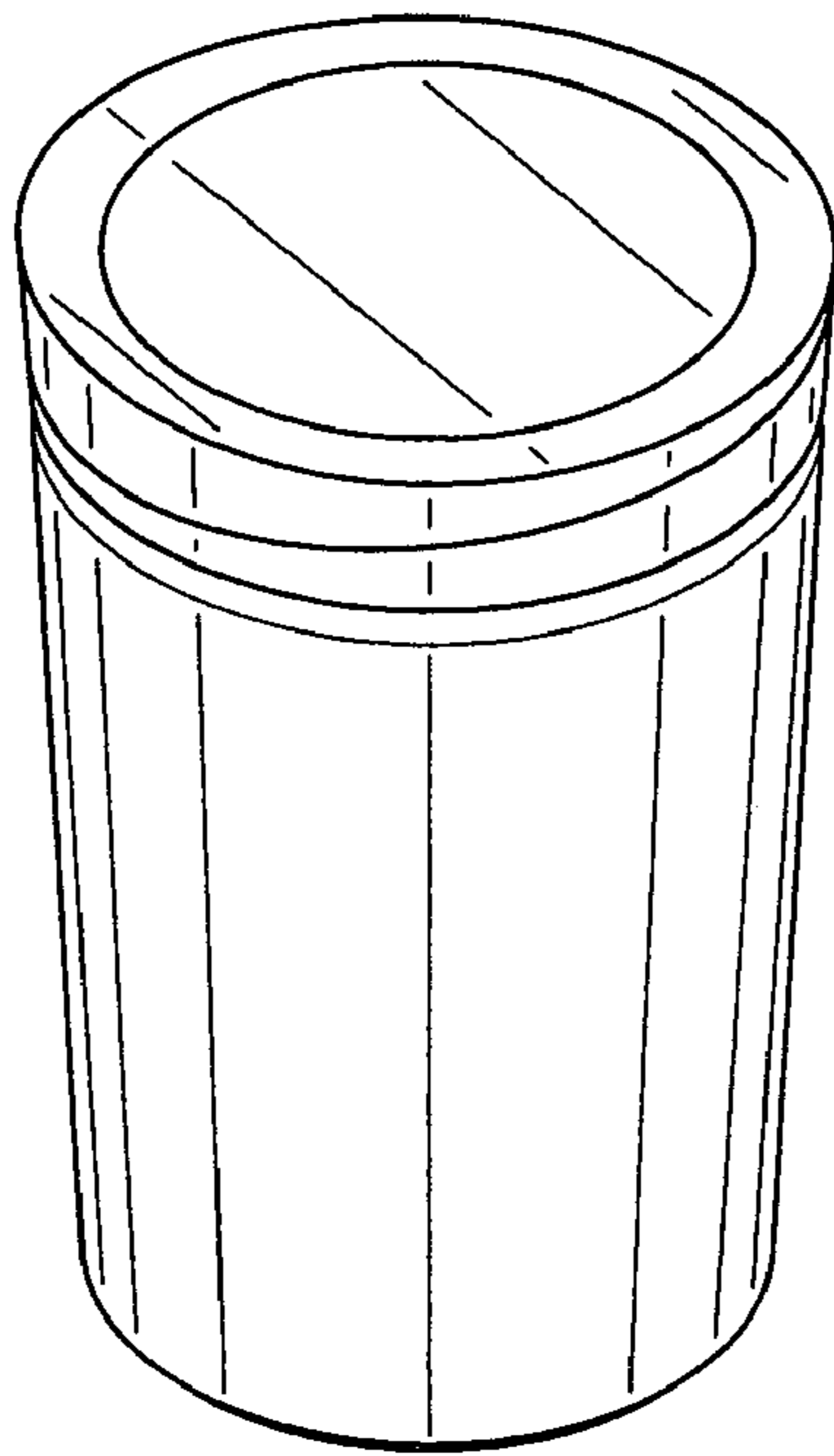


Fig. 1

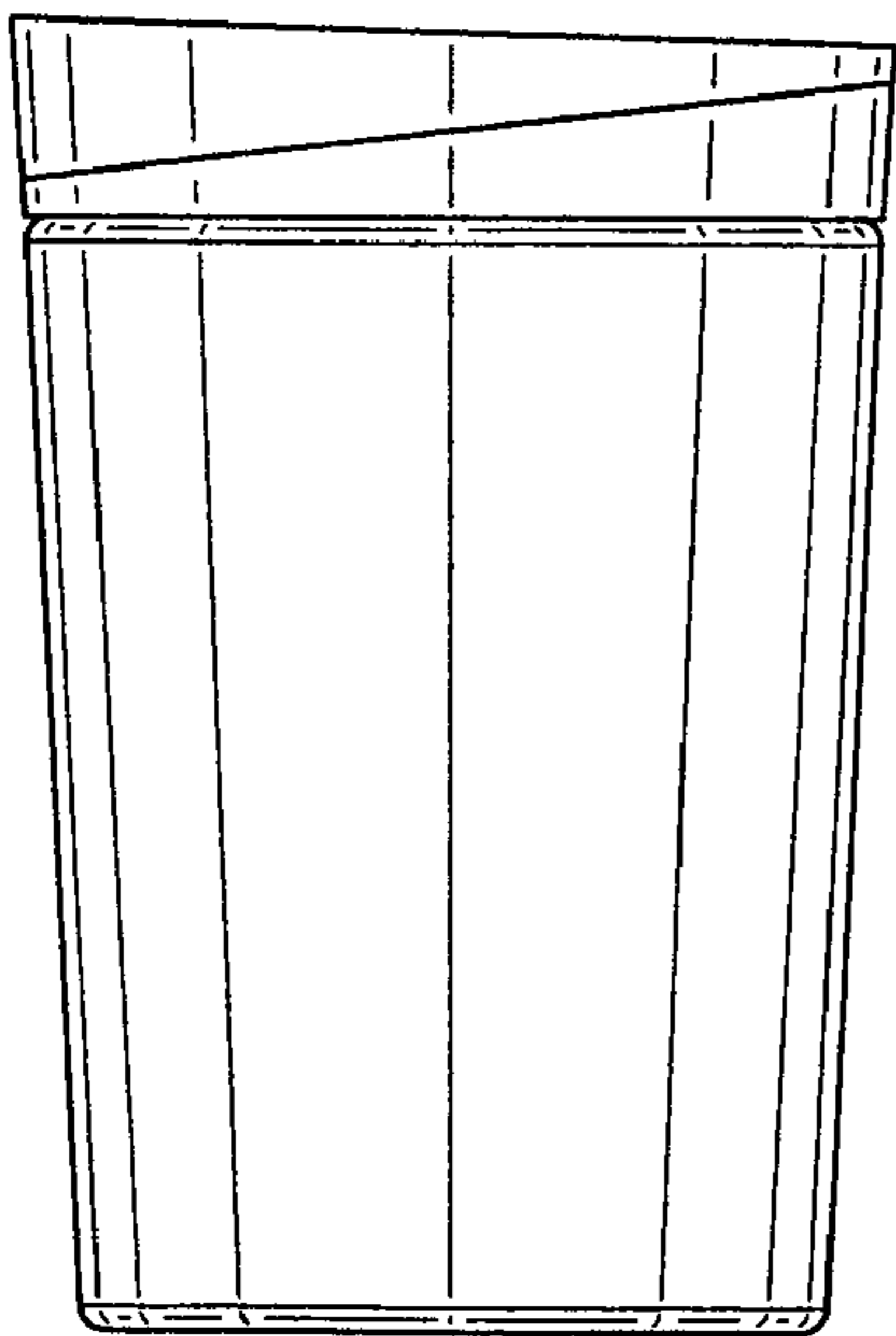


Fig. 2

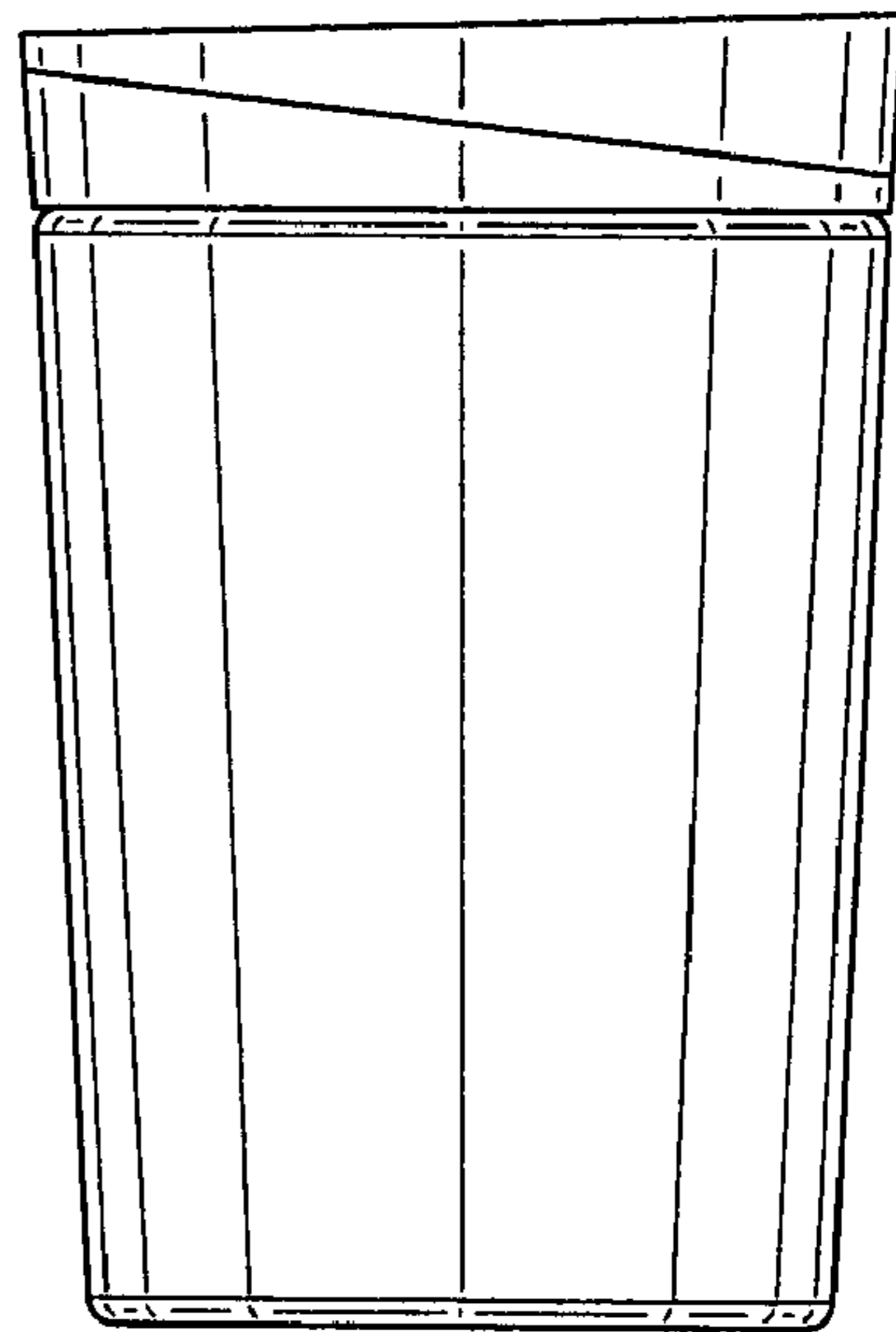


Fig. 3

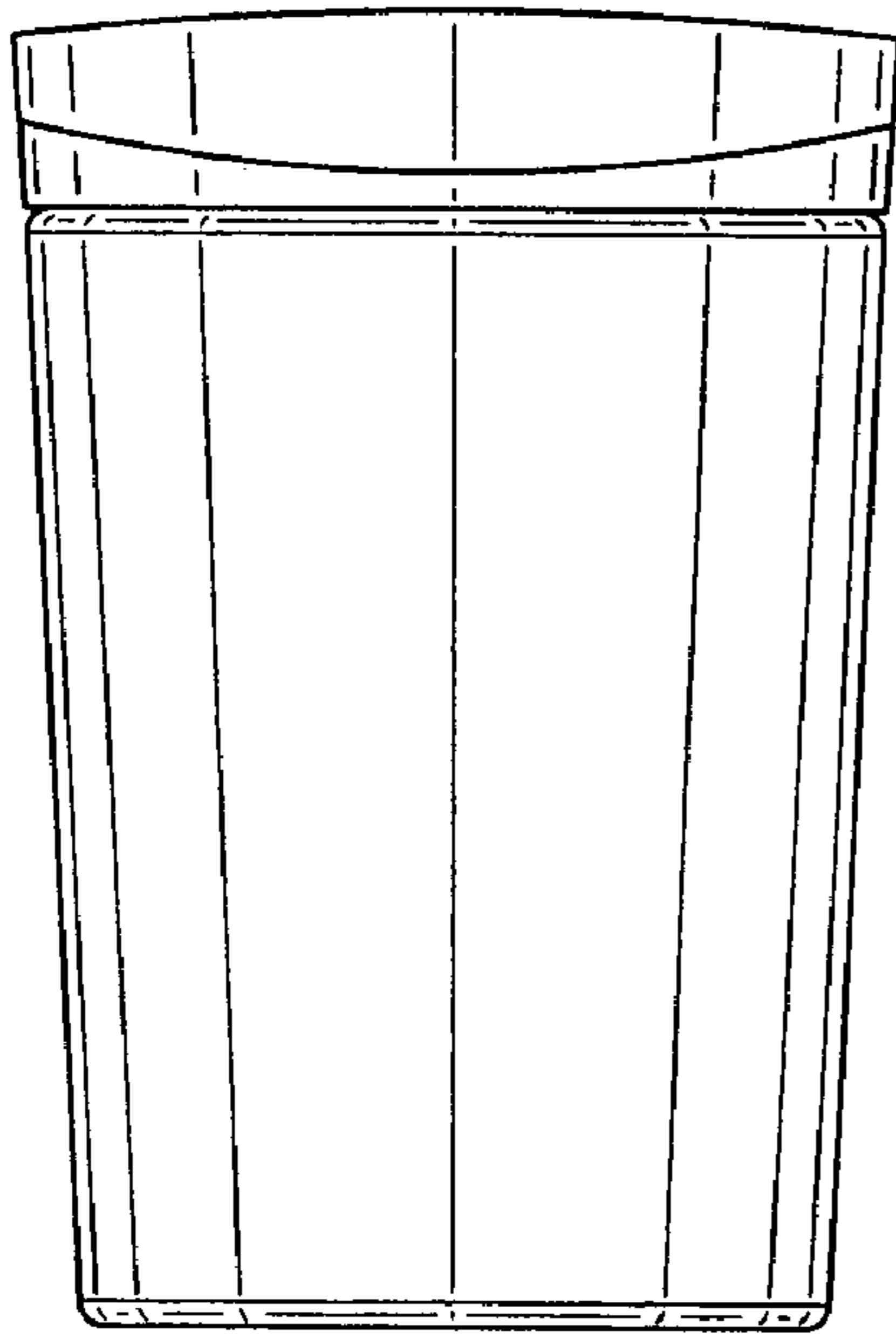


Fig.4

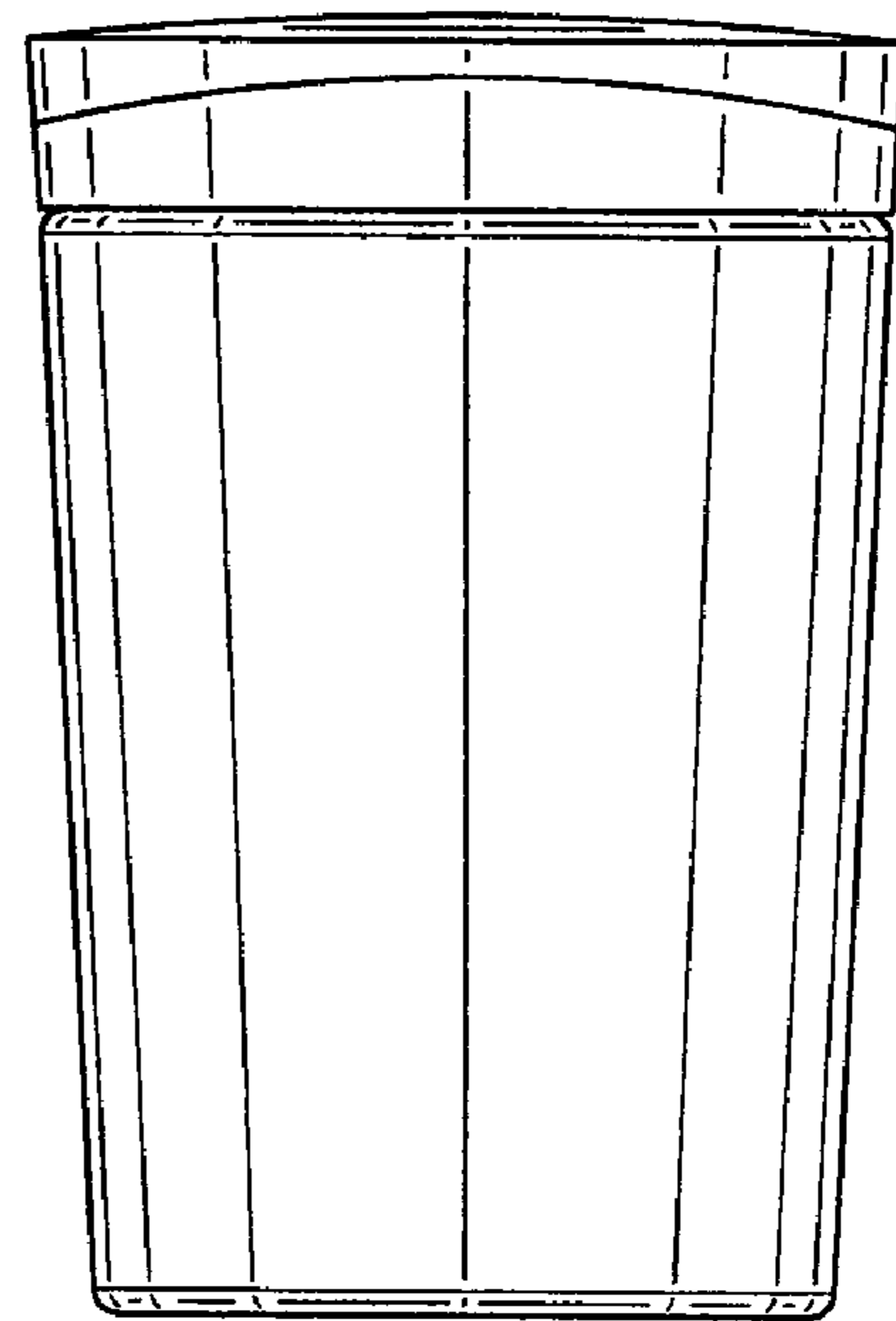


Fig.5

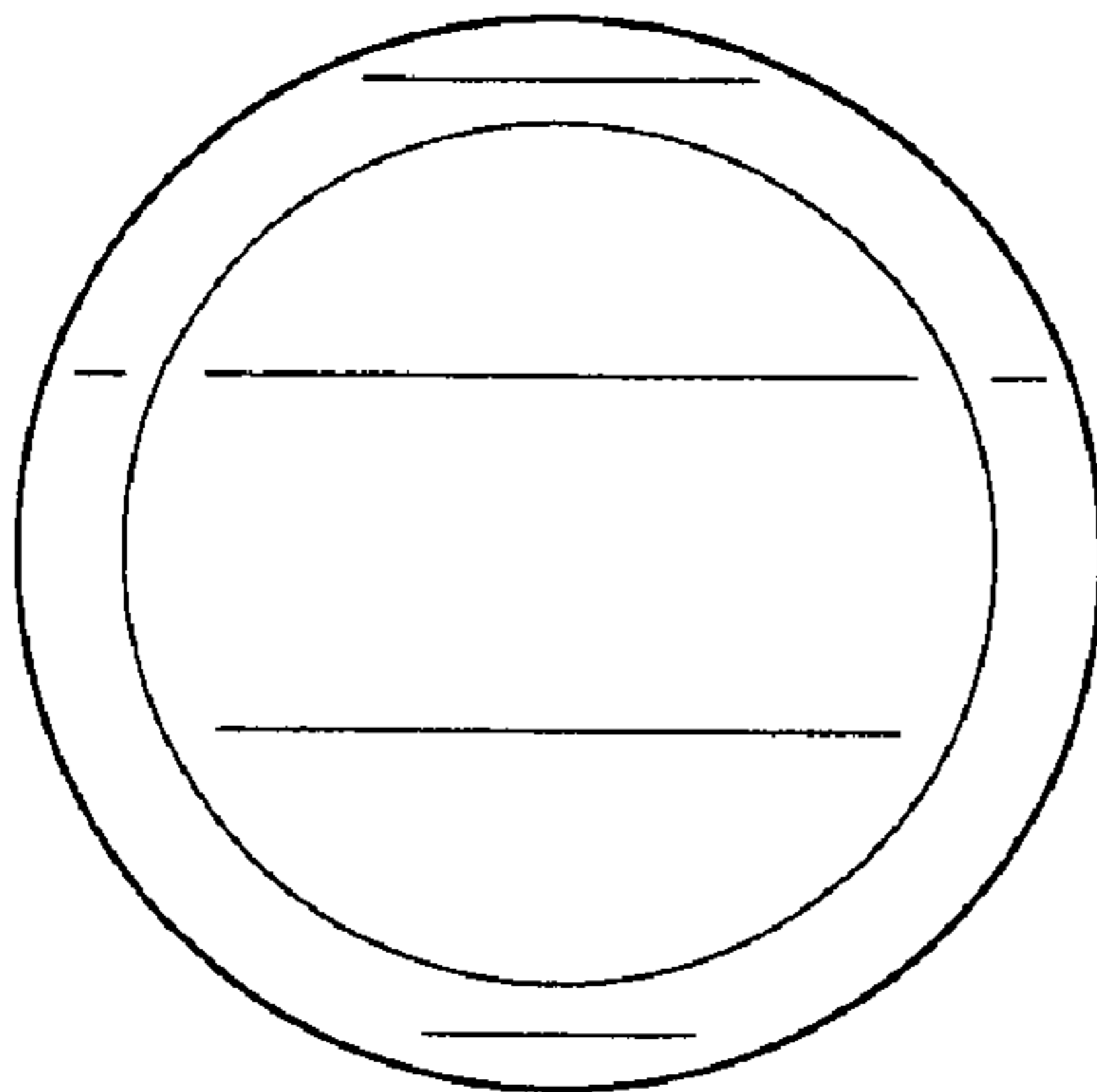


Fig.6

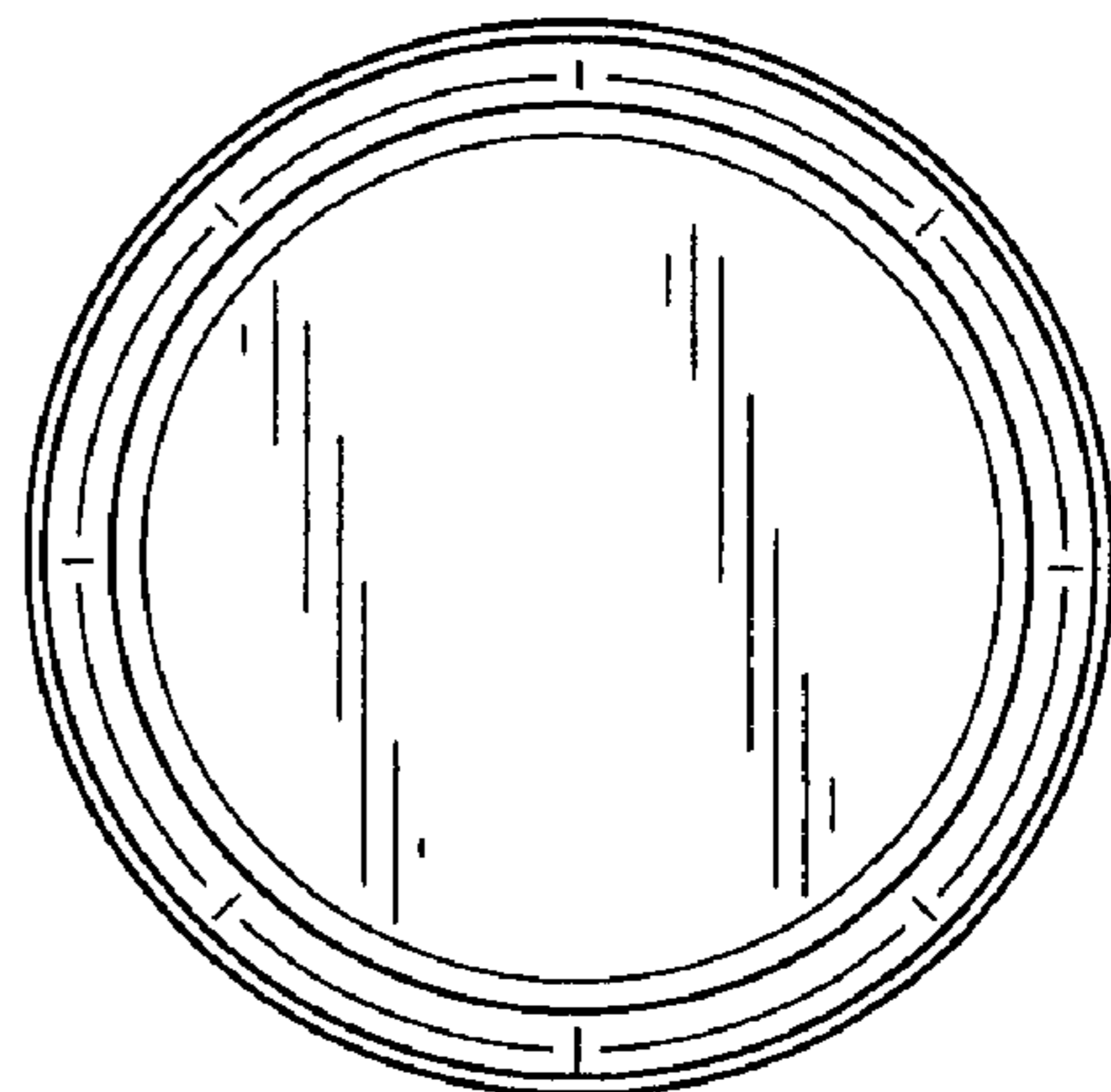


Fig.7

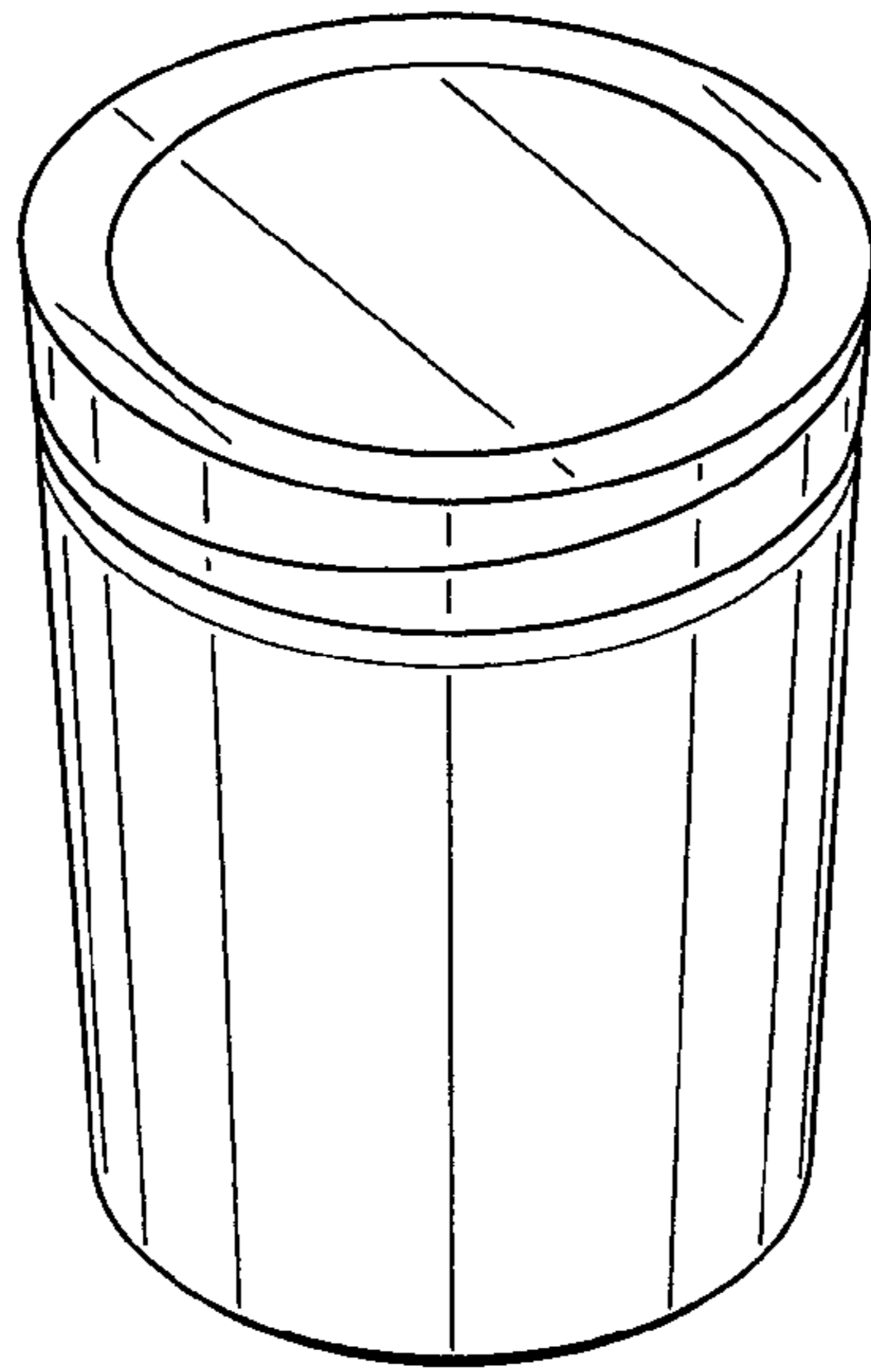


Fig. 8

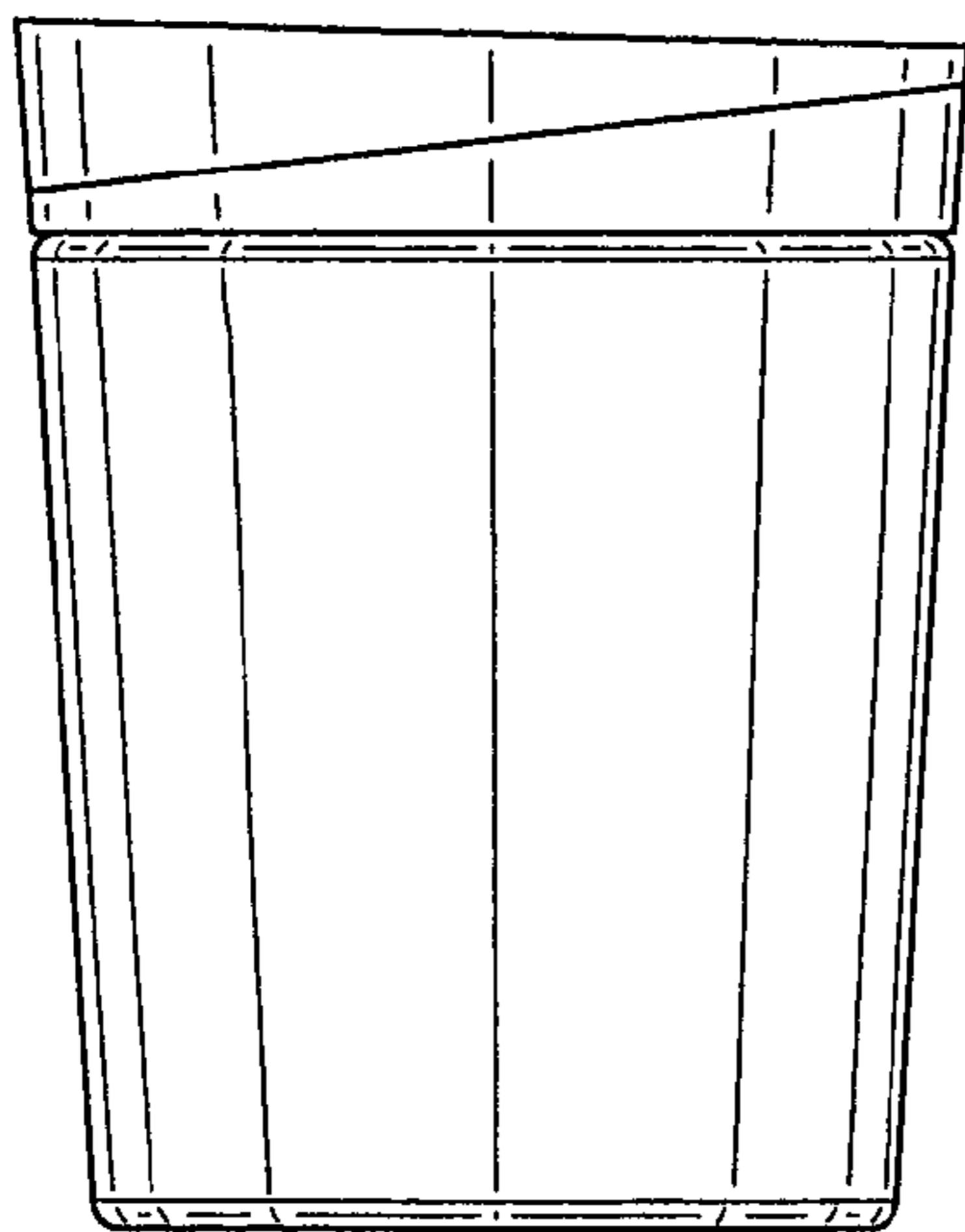


Fig. 9

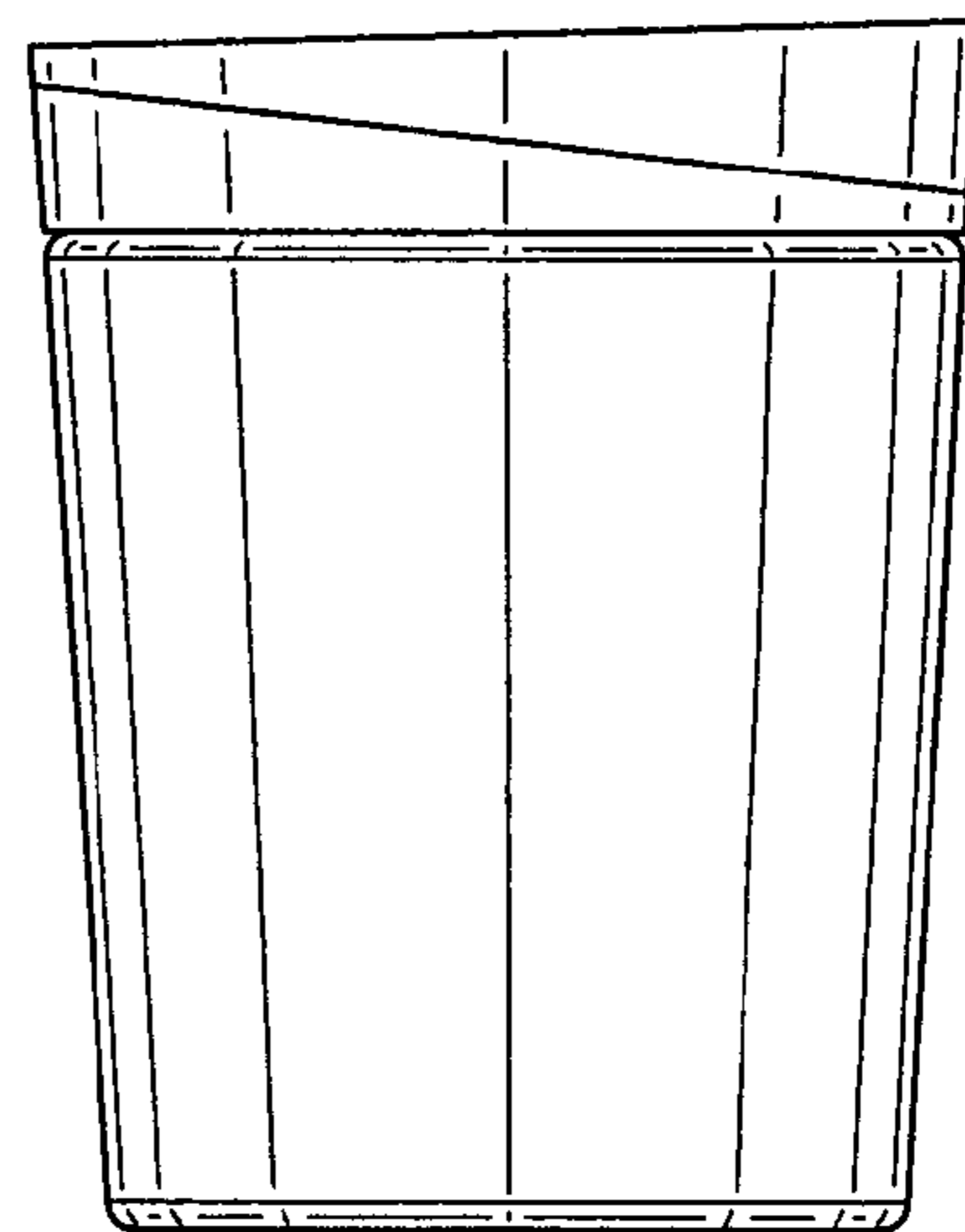


Fig. 10

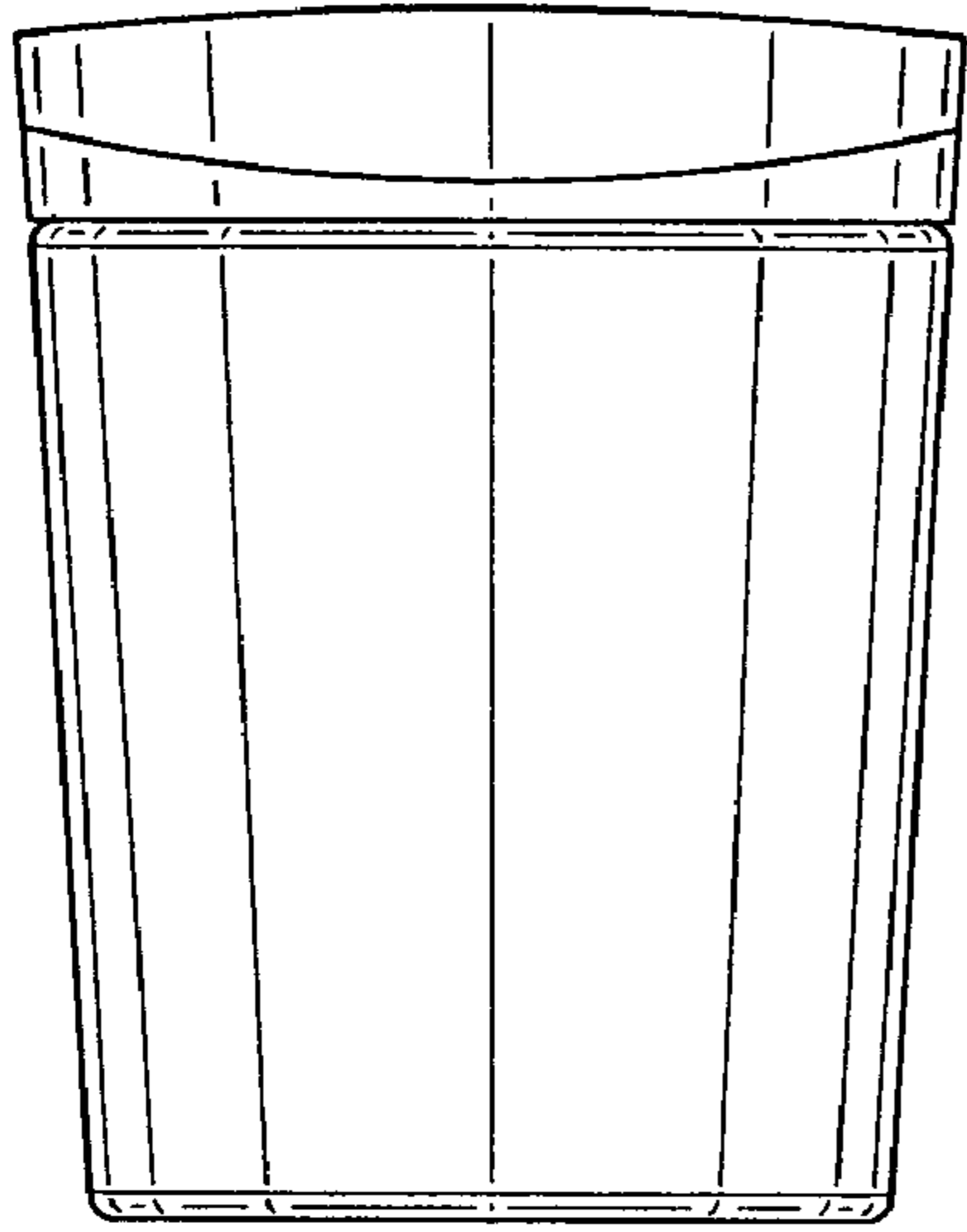


Fig. 11

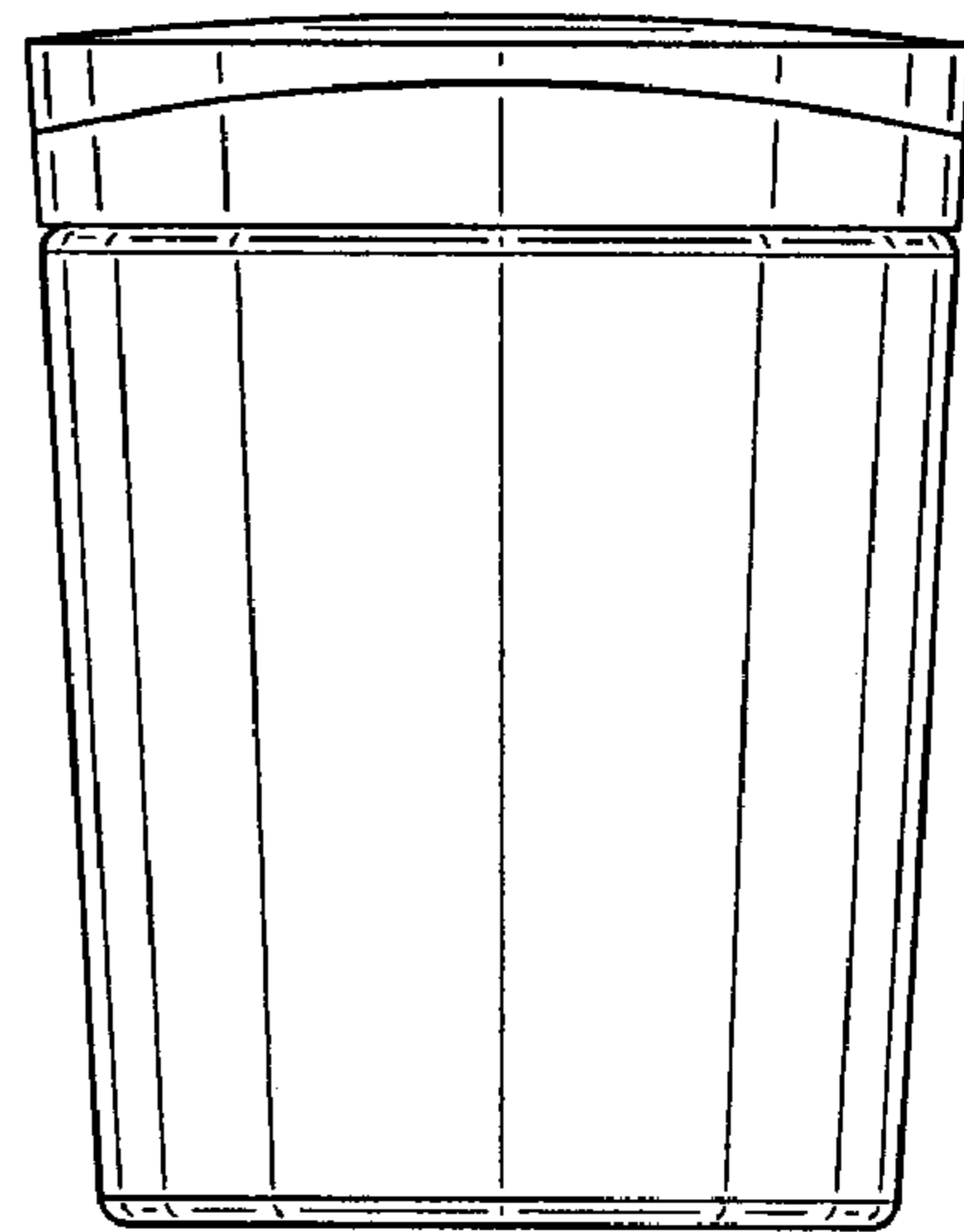


Fig. 12

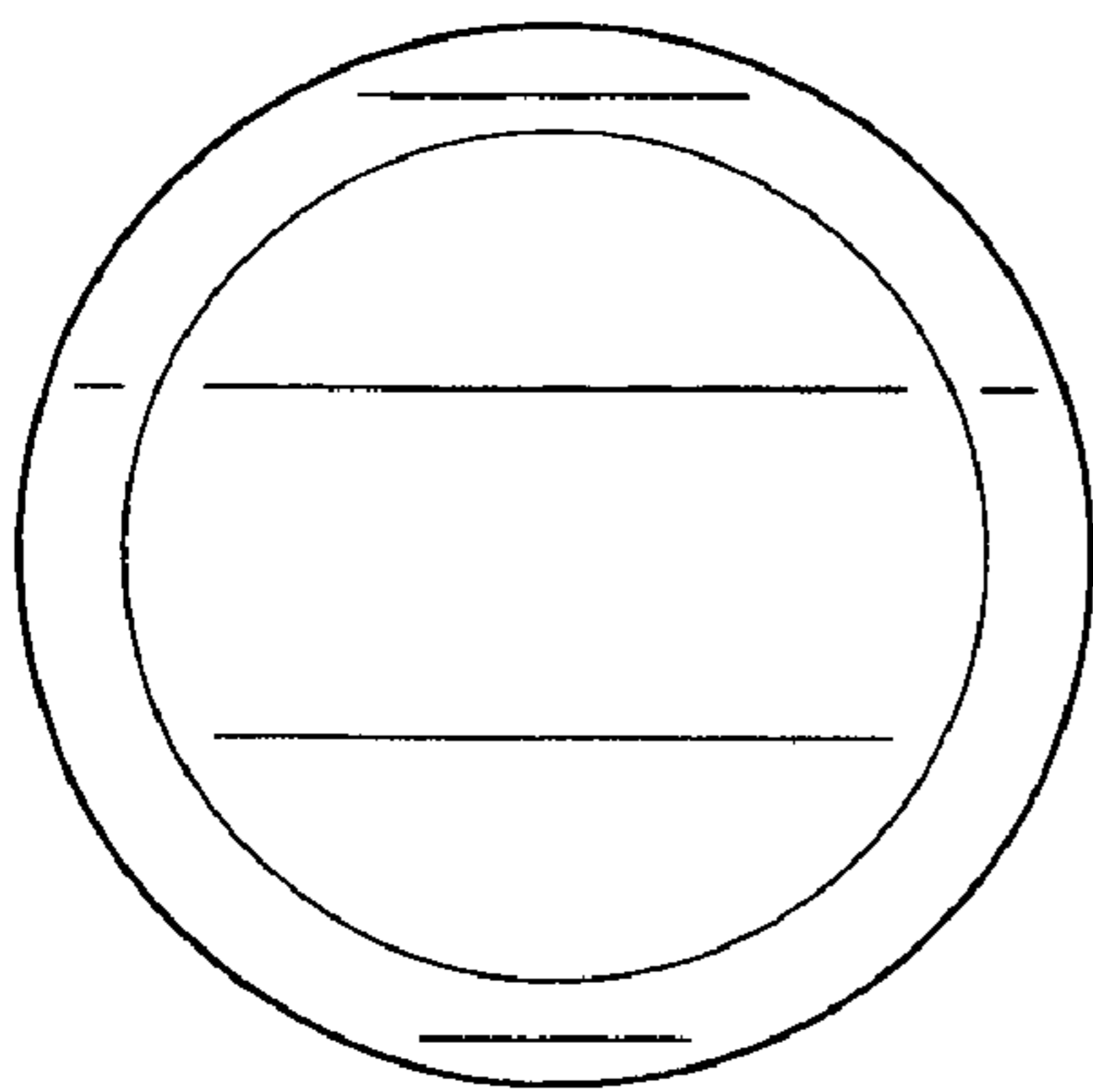


Fig. 13

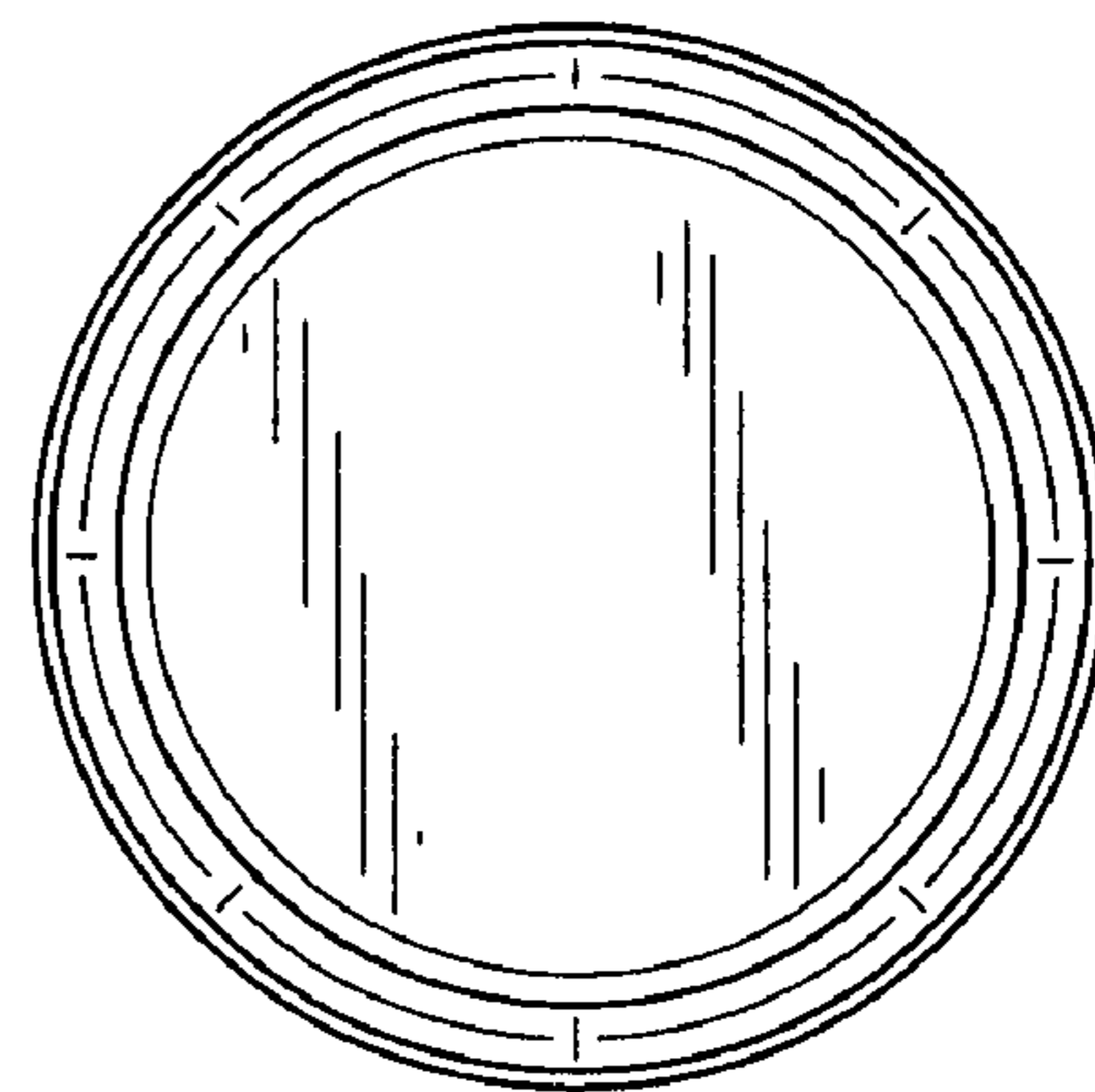


Fig. 14