



US00D546180S

(12) **United States Design Patent**
Jowett et al.

(10) **Patent No.:** **US D546,180 S**
(45) **Date of Patent:** **** Jul. 10, 2007**

(54) **DRINKING CAP FOR A BEVERAGE CAN**

D502,396 S * 3/2005 Frisch et al. D9/503

(76) Inventors: **Rayner Andrew Jowett**, General
Delivery, Mountain Road, Manitoba
(CA) R0J 1G0; **Dwayne Keith Chute**,
PO Box 1767, Meepawa, Manitoba
(CA) R0J 1H0

* cited by examiner

Primary Examiner—Robert M. Spear
Assistant Examiner—Susan Bennett Hattan
(74) *Attorney, Agent, or Firm*—Ryan W. Dupuis; Michael R.
Williams; Adrian D. Battison

(**) Term: **14 Years**

(57) **CLAIM**

(21) Appl. No.: **29/233,949**

The ornamental design for a drinking cap for a beverage can,
as shown and described.

(22) Filed: **Jul. 13, 2005**

(51) **LOC (8) Cl.** **09-07**

DESCRIPTION

(52) **U.S. Cl.** **D9/447**; D9/454; D9/445

FIG. 1 is a perspective view of a top side of a drinking cap
for a beverage can.

(58) **Field of Classification Search** D9/504,
D9/503, 454, 447, 445, 444, 435, 434, 510;
D7/551, 511, 510; 220/915, 906, 718, 716,
220/713, 711

FIG. 2 is a perspective view of a bottom side of the drinking
cap.

See application file for complete search history.

FIG. 3 is a bottom plan view of the drinking cap.

(56) **References Cited**

FIG. 4 is side elevation view of the drinking cap, the
opposing side being a mirror image of the view shown.

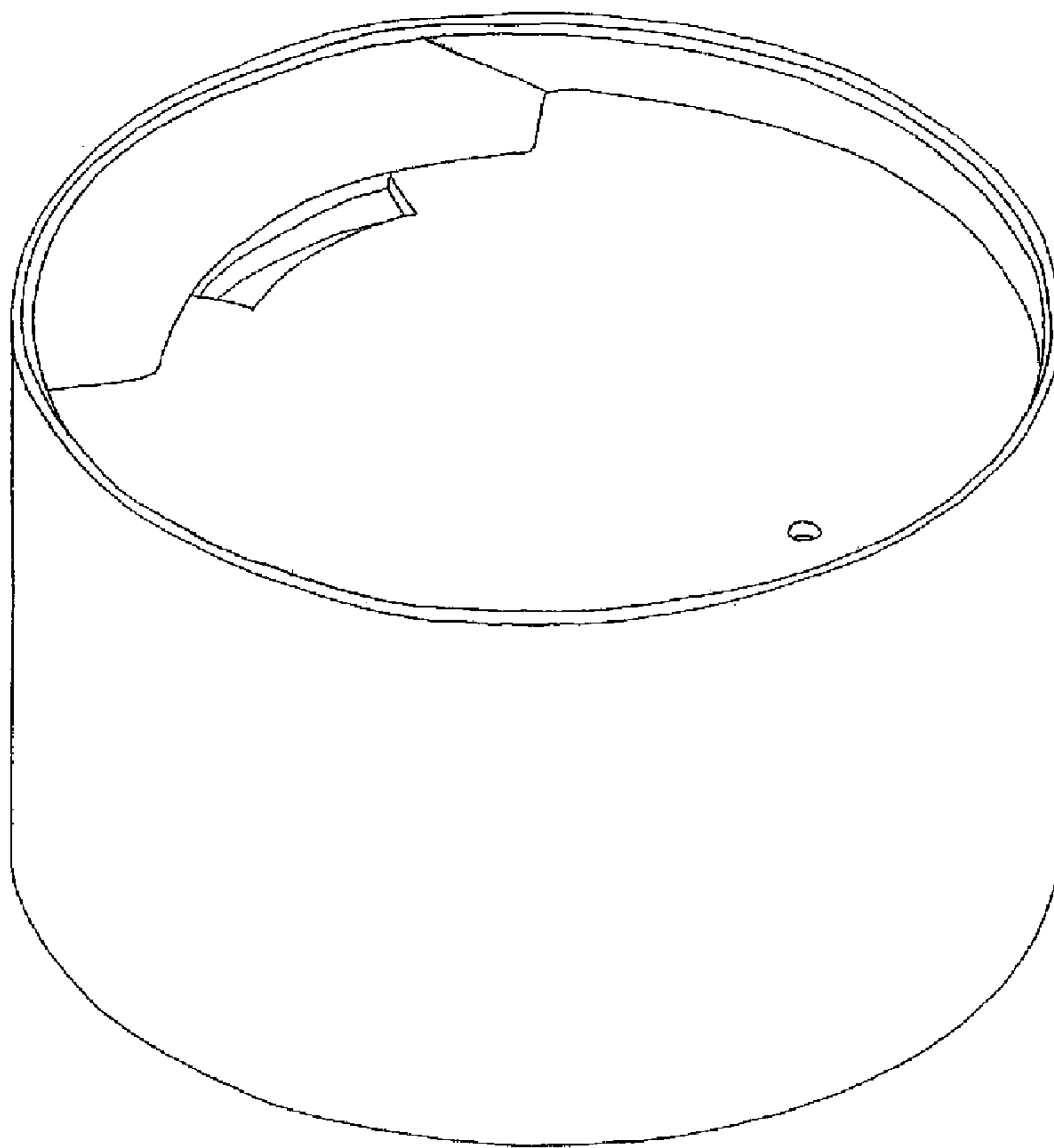
U.S. PATENT DOCUMENTS

FIG. 5 is top plan view of the drinking cap.

- 2,782,614 A * 2/1957 Currie 220/718
- 3,185,341 A * 5/1965 Barbour 220/718
- D317,722 S * 6/1991 Todd D9/447
- D363,665 S * 10/1995 Goto et al. D9/434
- D377,293 S * 1/1997 Husted D7/510
- D466,371 S * 12/2002 Parker D7/510

FIG. 6 is a sectional view along the line 6—6 of FIG. 5; and,
FIG. 7 is a perspective view of the sectioned drinking cap
according to FIG. 6.

1 Claim, 3 Drawing Sheets



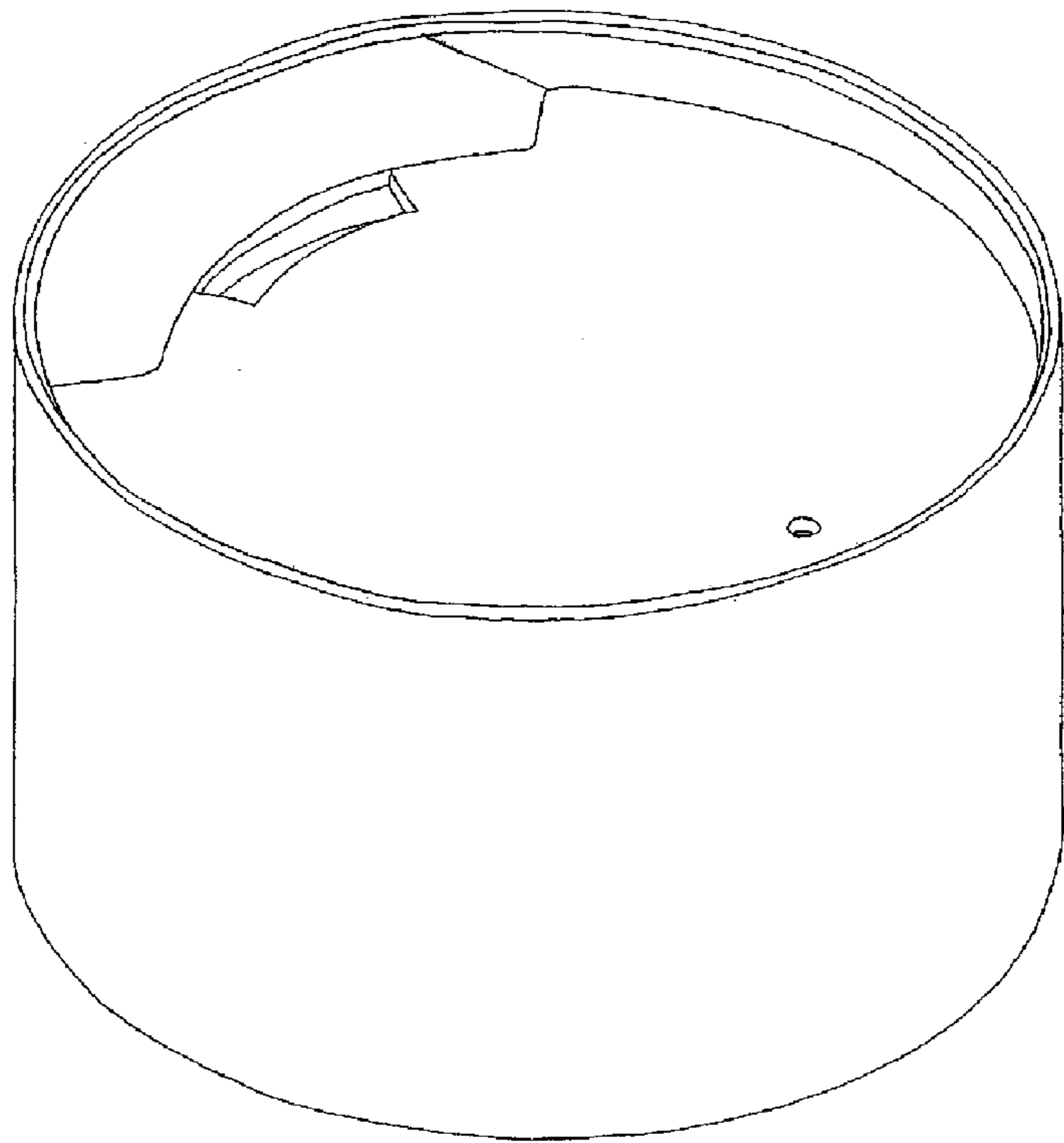


FIGURE 1

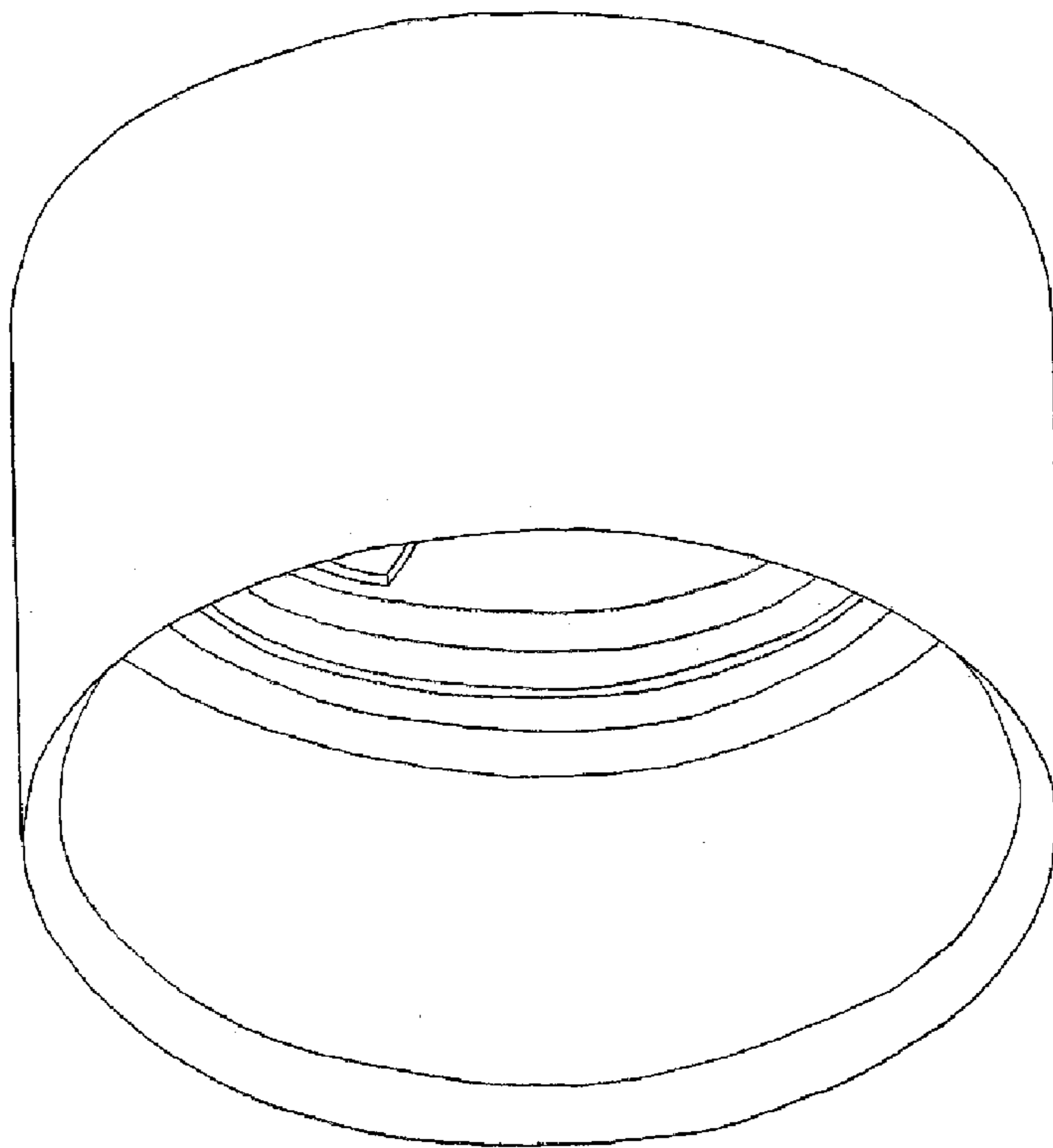


FIGURE 2

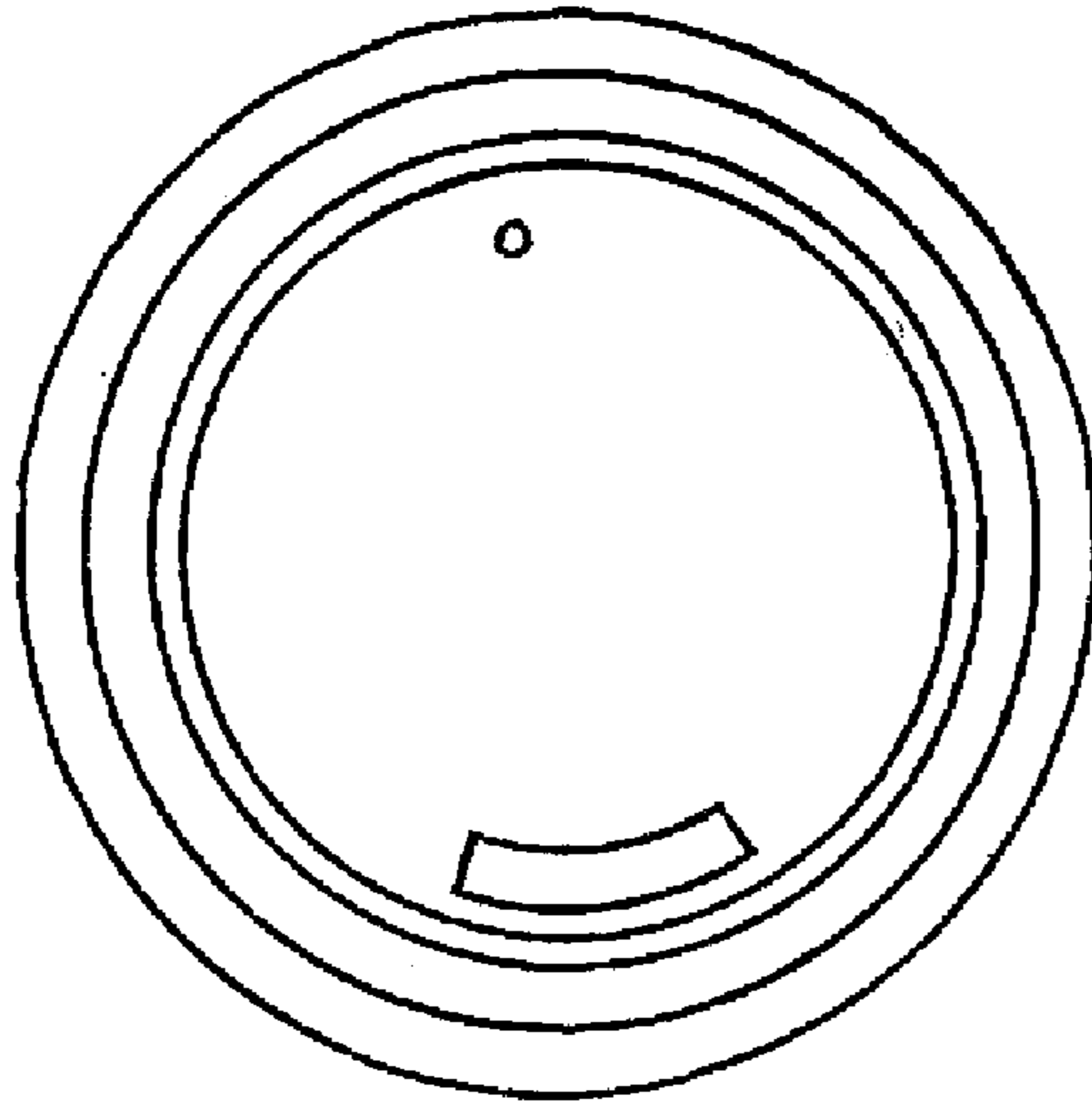


FIGURE 3

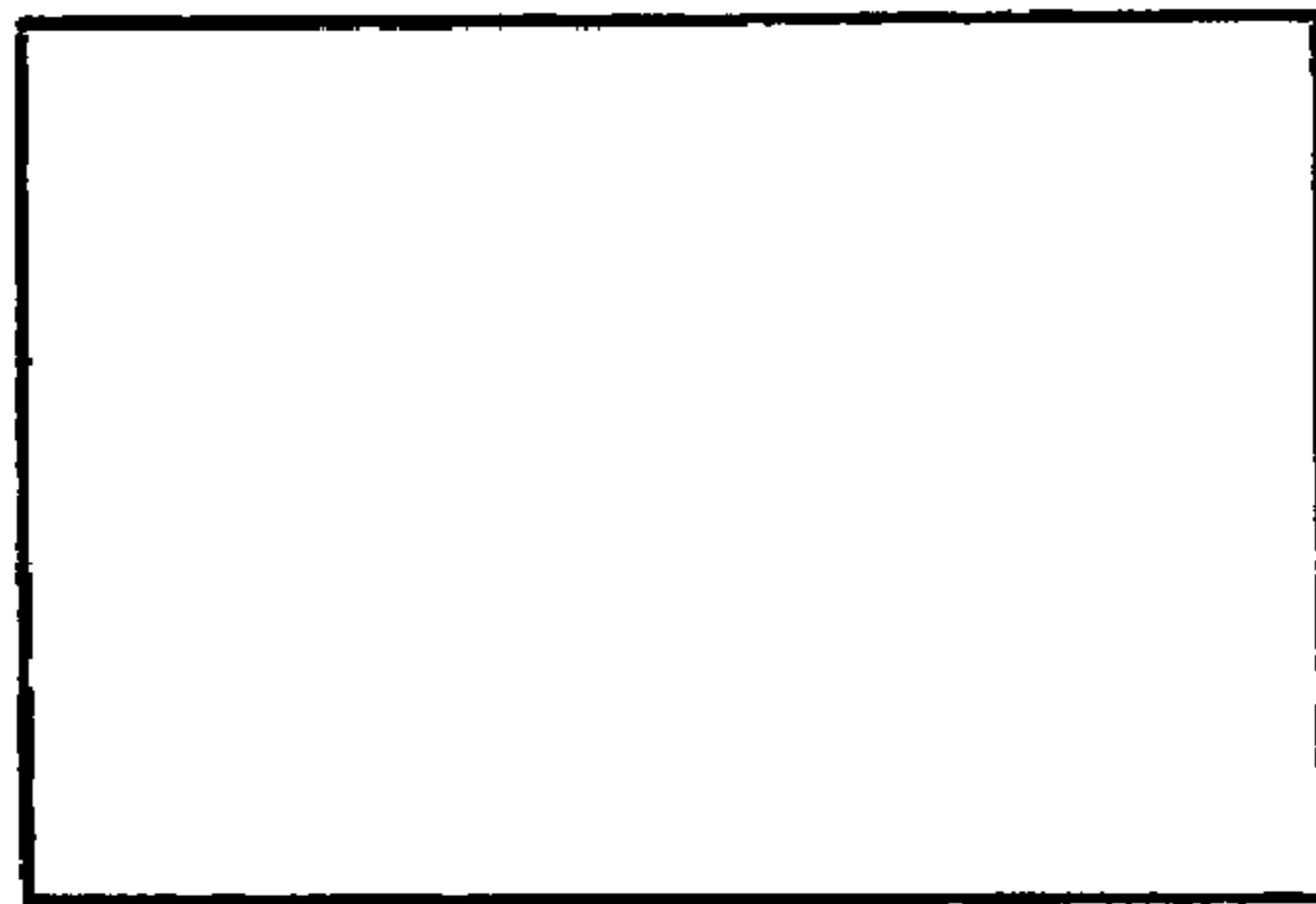


FIGURE 4

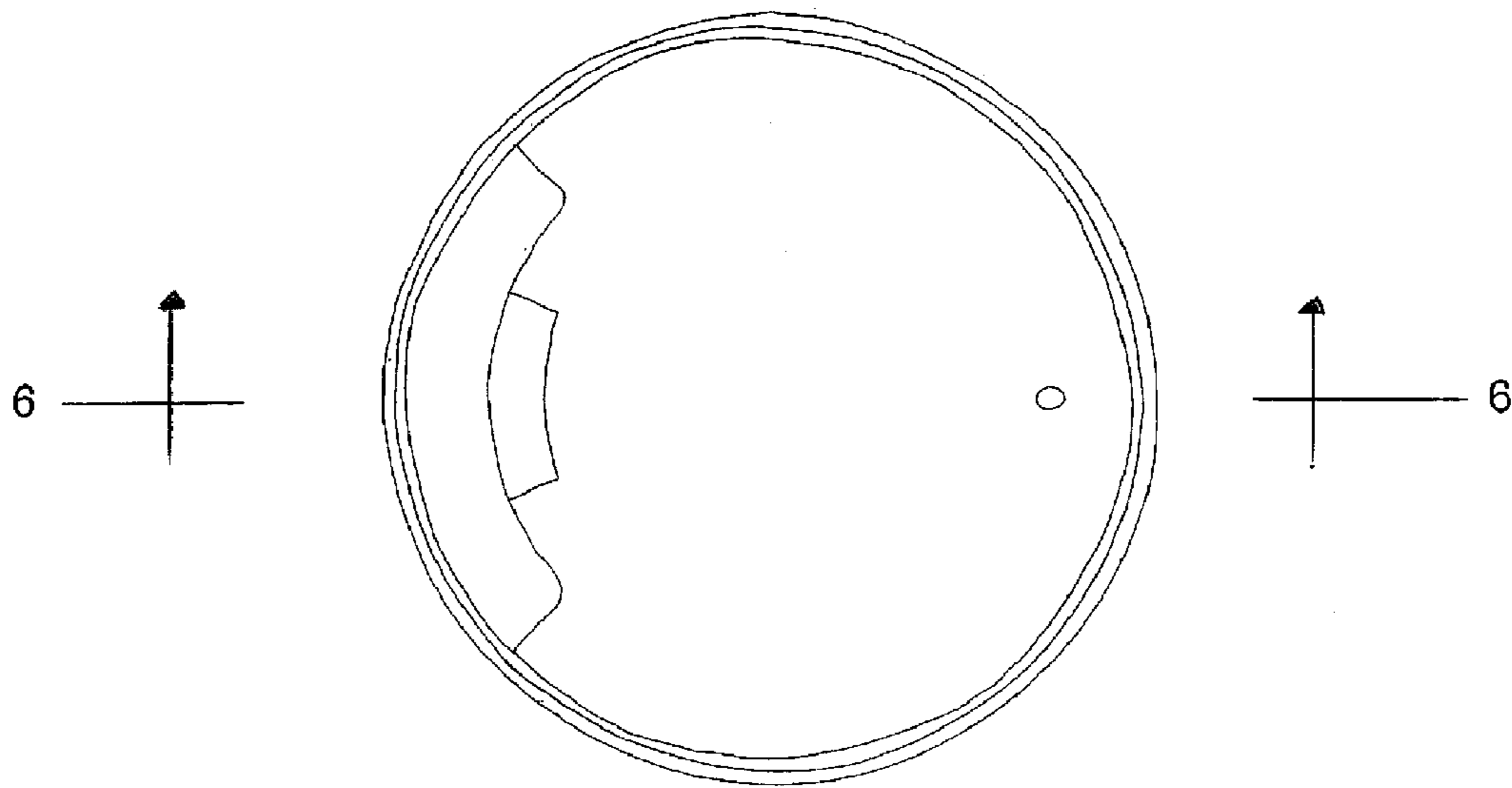


FIGURE 5

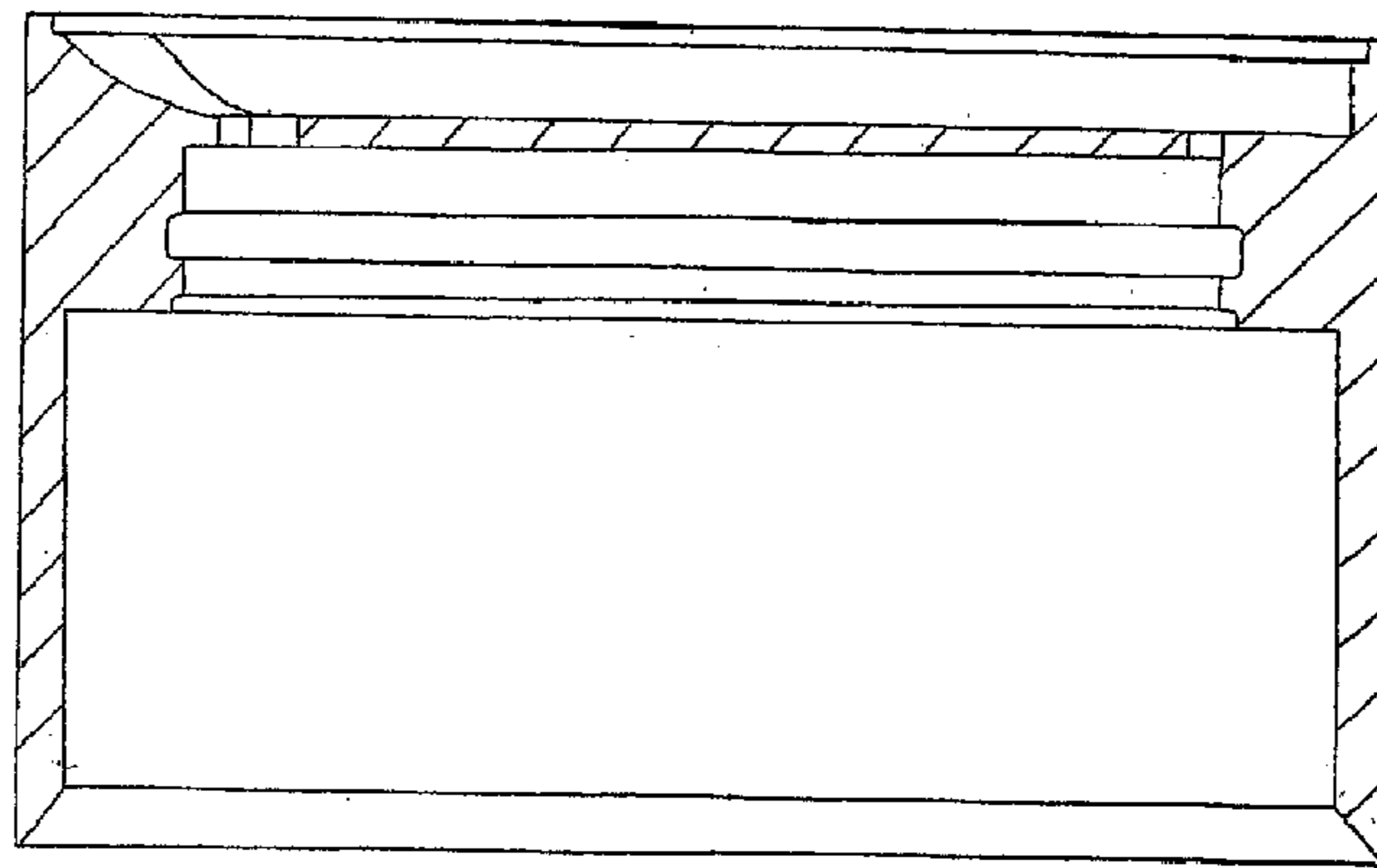


FIGURE 6

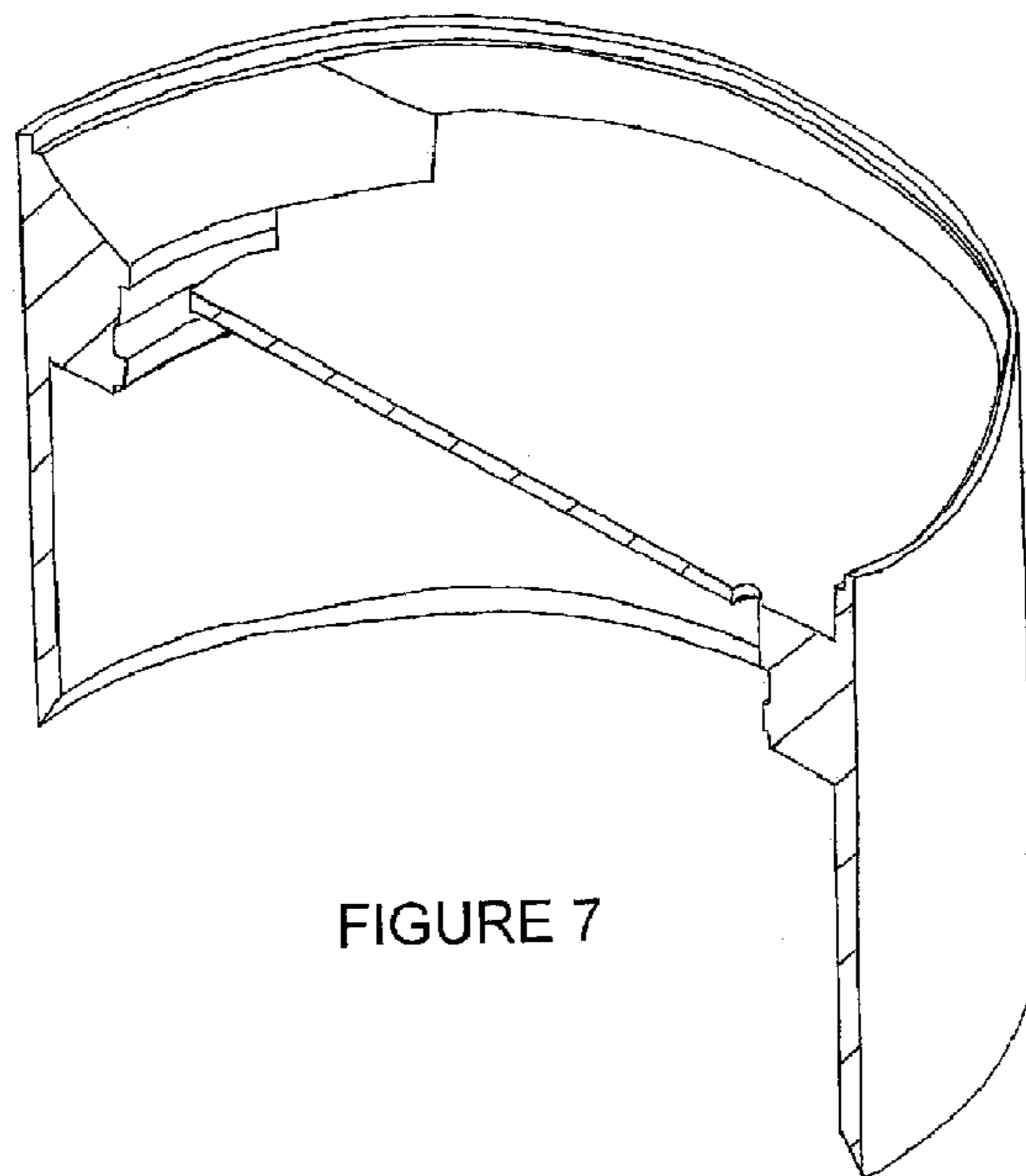


FIGURE 7