

US00D546178S

(12) **United States Design Patent**  
**McClain**

(10) **Patent No.:** **US D546,178 S**

(45) **Date of Patent:** **\*\* Jul. 10, 2007**

(54) **BEER TAP CAP**

(76) Inventor: **John McClain**, 2012 Fulham Dr.,  
Naperville, IL (US) 60564

(\*\*) Term: **14 Years**

(21) Appl. No.: **29/257,764**

(22) Filed: **Apr. 11, 2006**

(51) **LOC (8) Cl.** ..... **09-07**

(52) **U.S. Cl.** ..... **D9/435**

(58) **Field of Classification Search** ..... D9/719,  
D9/718, 504, 503, 454, 445, 444, 436, 435,  
D9/434; D19/41; D10/68; 220/376, 276,  
220/266, 203.09; 215/901, 317, 316  
See application file for complete search history.

(56) **References Cited**

**U.S. PATENT DOCUMENTS**

D200,673 S *	3/1965	Warden	.....	D9/436
D216,386 S *	12/1969	Suggs	.....	D9/434
4,089,463 A	5/1978	Babiol		
4,202,463 A	5/1980	Mogler		
4,566,601 A	1/1986	Kuenzig		
4,712,705 A	12/1987	Fuehrer		
4,854,458 A	8/1989	Differ		
D311,868 S	11/1990	Armstrong		
D327,849 S	7/1992	Armstrong		

D359,683 S *	6/1995	Beach	.....	D9/434
6,089,519 A	7/2000	Laybourne		
D433,332 S *	11/2000	Weber	.....	D9/434
D447,410 S *	9/2001	Malmborg	.....	D9/434

**FOREIGN PATENT DOCUMENTS**

EP 0725013 A 7/1996

\* cited by examiner

*Primary Examiner*—Robert M. Spear

*Assistant Examiner*—Susan Bennett Hattan

(74) *Attorney, Agent, or Firm*—Robert J. Lauson, Esq.;  
Lauson & Associates

(57) **CLAIM**

The ornamental design for a beer tap cap, as shown and described.

**DESCRIPTION**

FIG. 1 is a perspective view showing my new design;

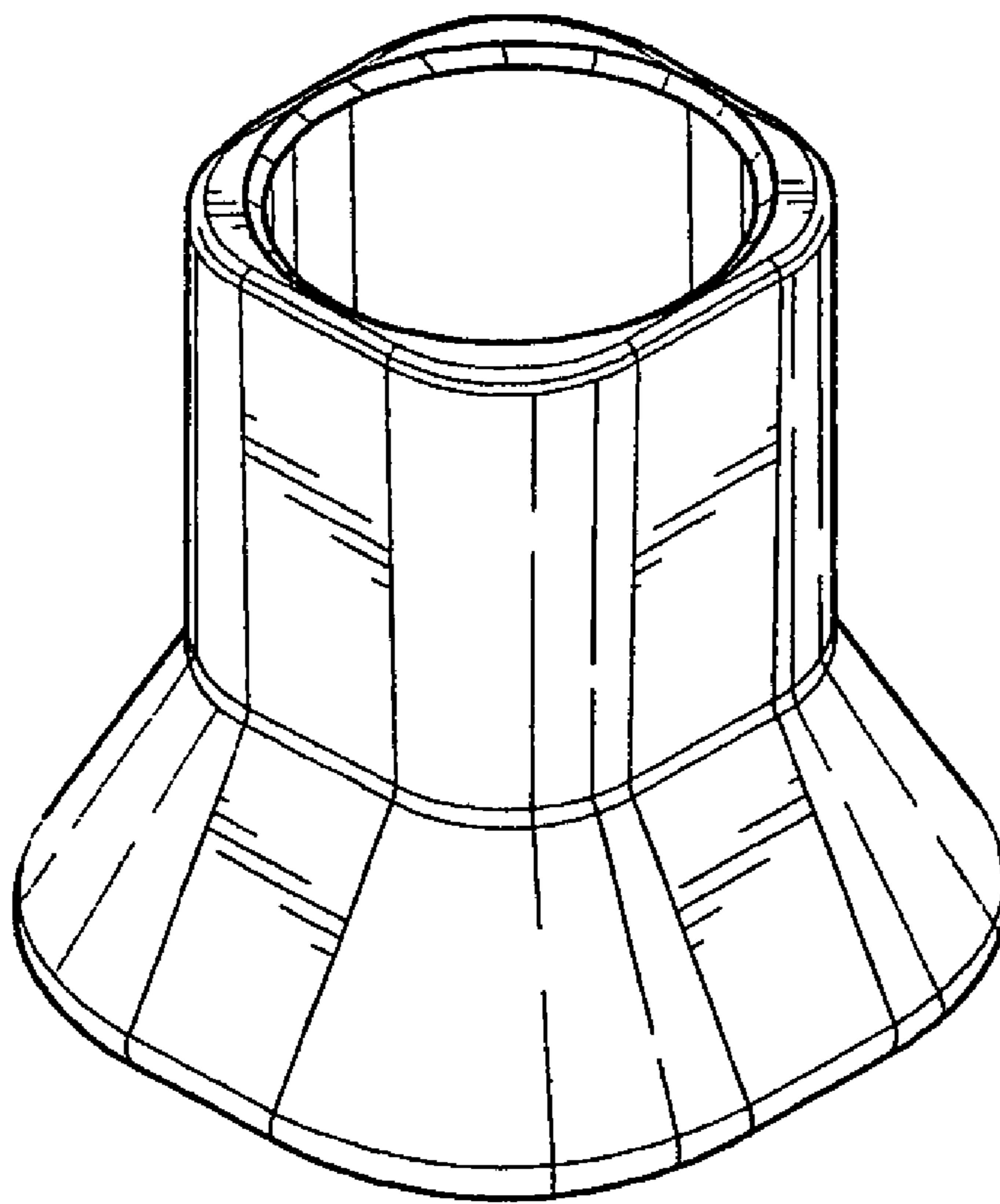
FIG. 2 is a top view thereof;

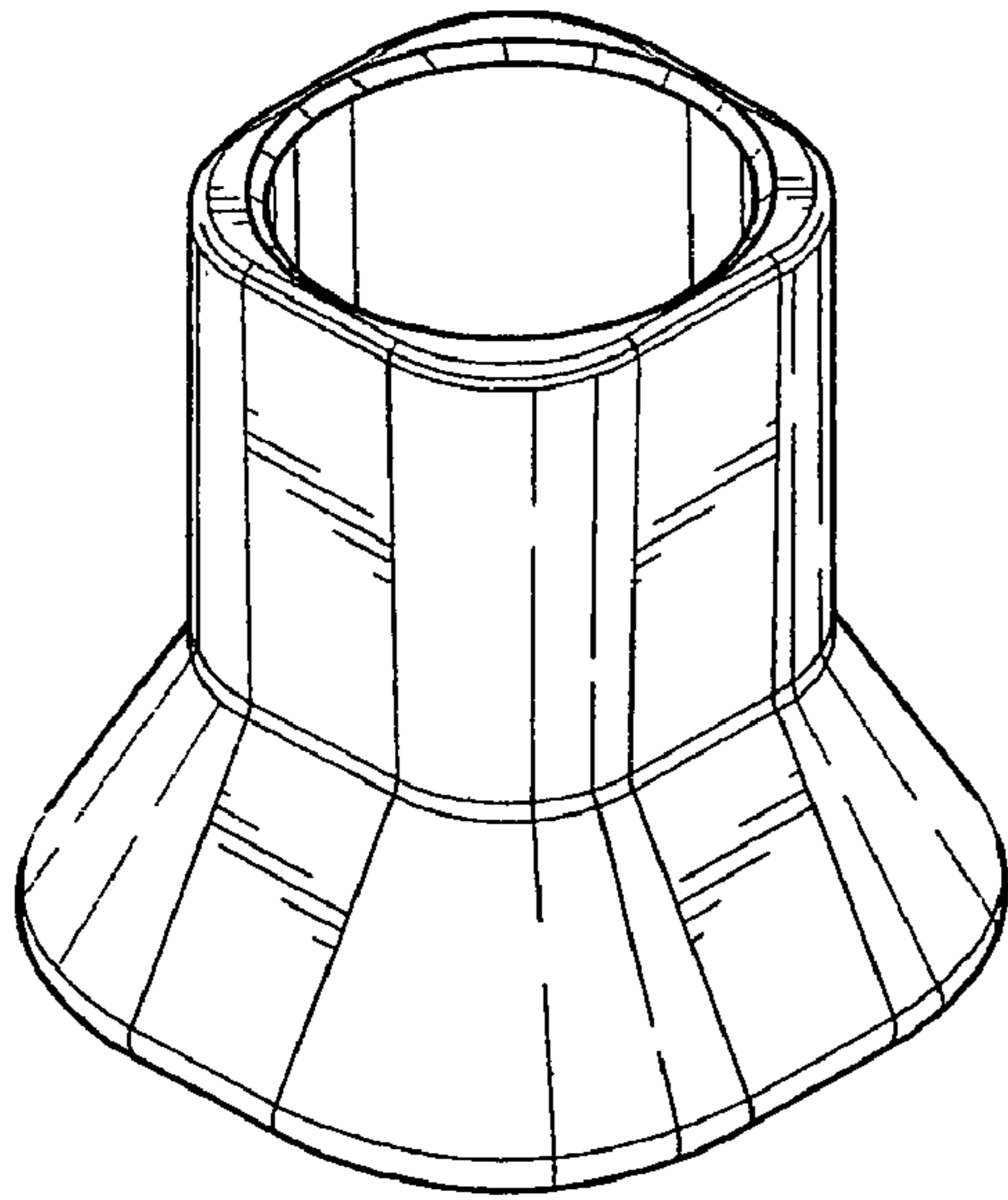
FIG. 3 is a side view thereof; and,

FIG. 4 is a bottom view thereof.

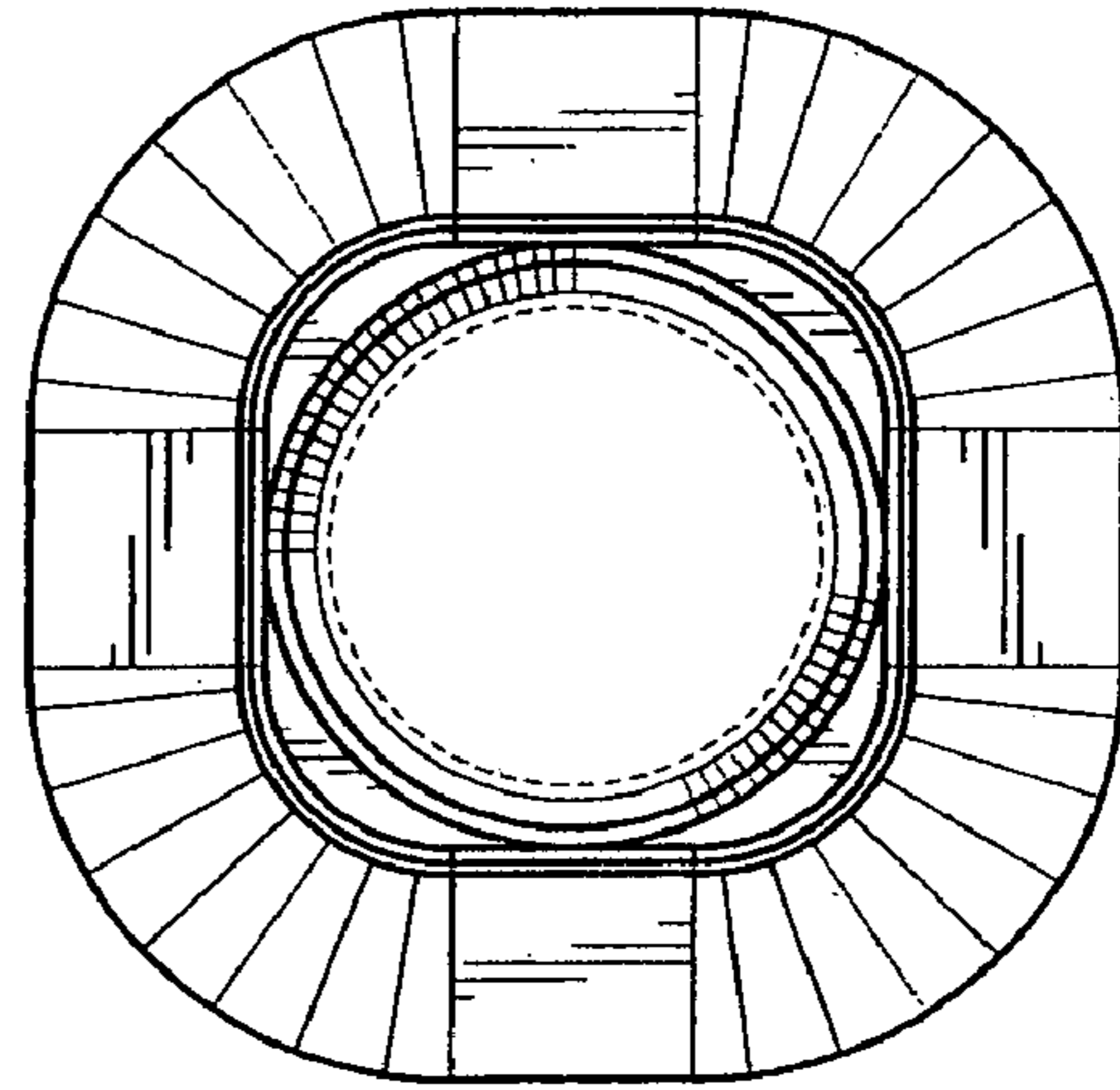
The broken line in FIG. 2 defines the boundary of the claimed design and forms no part of the claimed design.

**1 Claim, 1 Drawing Sheet**

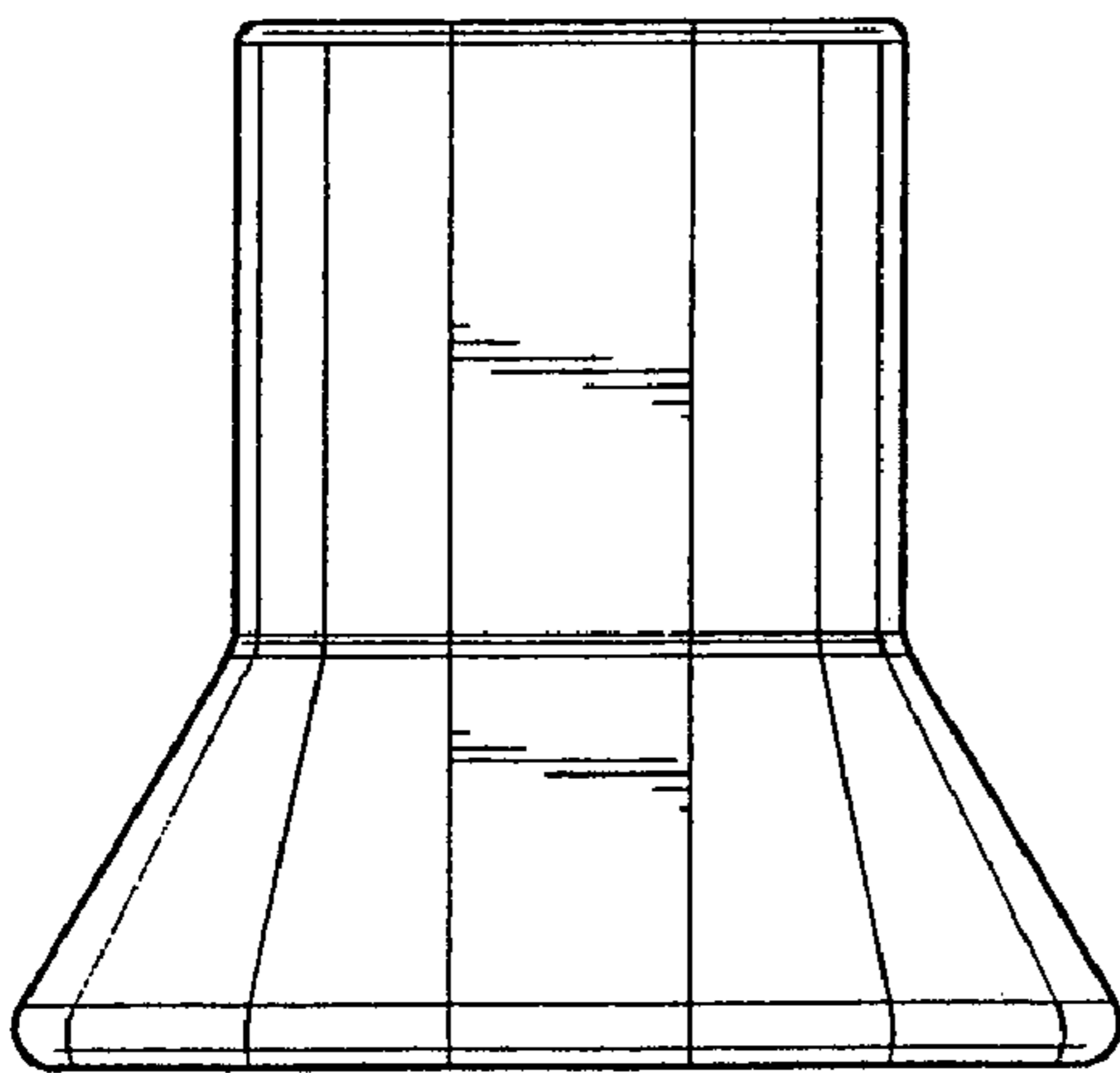




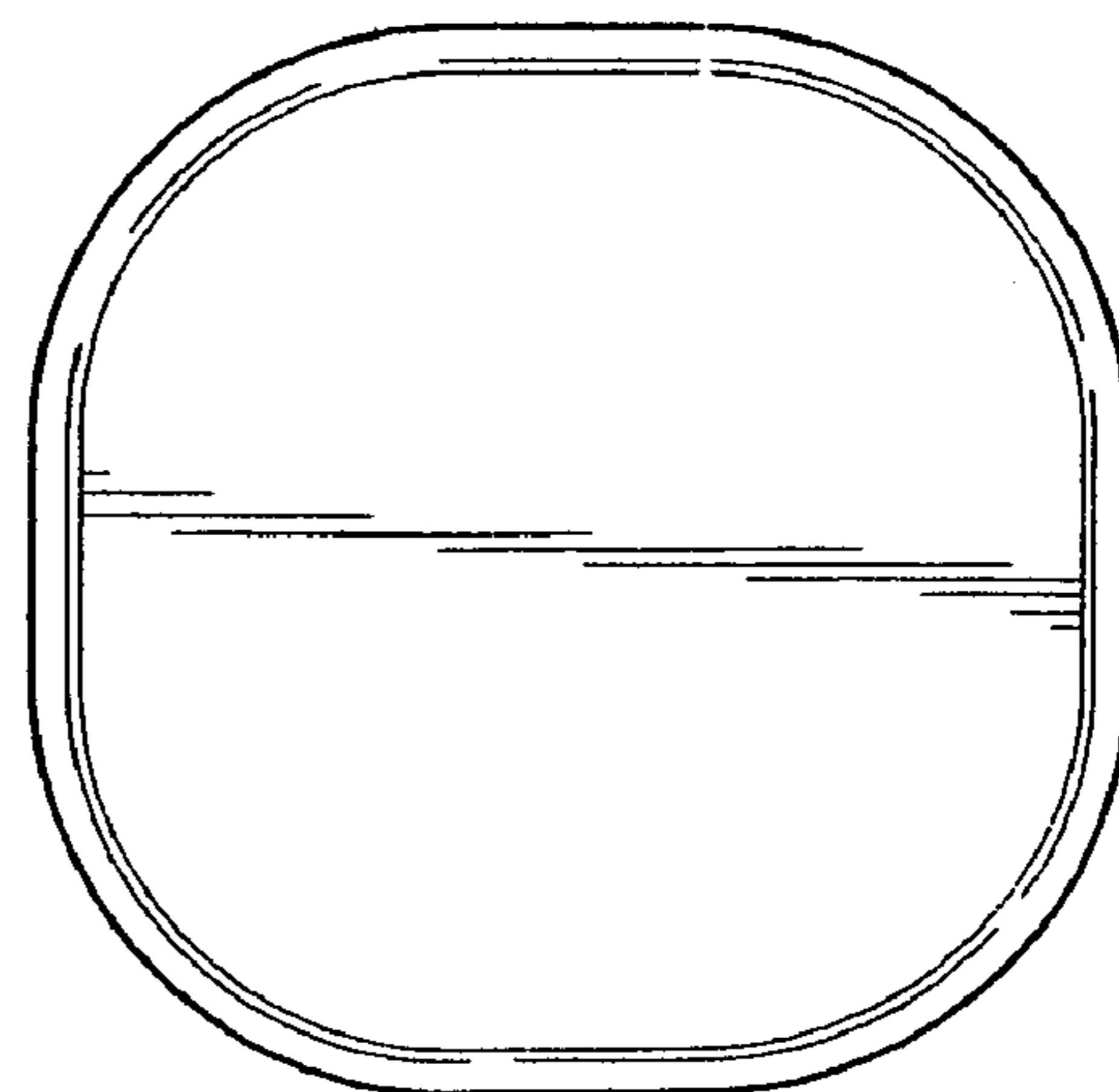
*FIG. 1*



*FIG. 2*



*FIG. 3*



*FIG. 4*