

US00D546177S

(12) **United States Design Patent** (10) **Patent No.:** **US D546,177 S**
El-Afandi (45) **Date of Patent:** **** Jul. 10, 2007**

- (54) **COMBINED TEAR STRIP AND ACCESS PERFORATIONS ON PACKAGING**
- (75) Inventor: **Ali El-Afandi**, Maplewood, MN (US)
- (73) Assignee: **General Mills Marketing, Inc.**, Minneapolis, MN (US)
- (**) Term: **14 Years**

D436,859 S	1/2001	Botsford et al.
6,557,749 B1	5/2003	Gill
6,715,634 B2	4/2004	Knol
D494,859 S	8/2004	Keberlein
D503,614 S	4/2005	Sax et al.
D503,884 S	4/2005	Camilleri-Oller et al.
D504,314 S *	4/2005	Kim D9/416
7,080,736 B2 *	7/2006	Jackson et al. 206/738
2001/0001447 A1 *	5/2001	Gregory 206/746
2004/0195256 A1	10/2004	Goepfert et al.

- (21) Appl. No.: **29/268,868**
- (22) Filed: **Nov. 13, 2006**

Related U.S. Application Data

- (60) Division of application No. 29/242,645, filed on Nov. 14, 2005, now Pat. No. Des. 534,797, which is a continuation-in-part of application No. 11/233,502, filed on Sep. 22, 2005.
- (51) **LOC (8) Cl.** **09-07**
- (52) **U.S. Cl.** **D9/434; D9/416**
- (58) **Field of Classification Search** D9/751, D9/456, 455, 438, 435, 434, 433, 432, 431, D9/430, 419, 418, 416, 415; 221/63; 206/824, 206/429, 409, 195, 194; 229/183, 125.19
See application file for complete search history.

- (56) **References Cited**

U.S. PATENT DOCUMENTS

2,321,473 A *	6/1943	Ferguson 206/783
2,894,674 A *	7/1959	Wagaman 229/222
4,314,638 A	2/1982	Gordon et al.
4,319,878 A	3/1982	Dozier et al.
4,337,887 A	7/1982	Gerard et al.
D268,649 S *	4/1983	Adamson et al. D9/416
4,382,511 A *	5/1983	Hamelin et al. 206/427
4,447,002 A	5/1984	Kistner
4,534,753 A	8/1985	Kistner
4,771,939 A	9/1988	Wilkins
4,946,093 A	8/1990	Moorman
D322,759 S	12/1991	Groves
D328,375 S	7/1992	Levine

FOREIGN PATENT DOCUMENTS

AU	3713893	2/1994
WO	WO 95/25007	9/1995
WO	WO 96/09225	3/1996

OTHER PUBLICATIONS

Website print-out: Introducing Innovative New Packaging from Tyson Foods, Inc., Tyson Foods, Inc., 2 pgs, Sep. 2005.

* cited by examiner

Primary Examiner—Robert M. Spear
Assistant Examiner—Susan Bennett Hattan
(74) *Attorney, Agent, or Firm*—Arlene L. Hornilla; J. Paul Haun

(57) **CLAIM**

I claim the ornamental design for combined tear strip and access perforations on packaging, as shown and described.

DESCRIPTION

FIG. 1 is a perspective view of a combined tear strip and access perforations on packaging, according to the invention; and,

FIG. 2 is an end view thereof.

The lines depicted as “- - -” represent a perforated line forming part of the claimed design, the outer edges of which define the outer boundary of the claim while lines depicted as “-- — -- —” represent environmental structure forming no part of the claimed design.

1 Claim, 2 Drawing Sheets

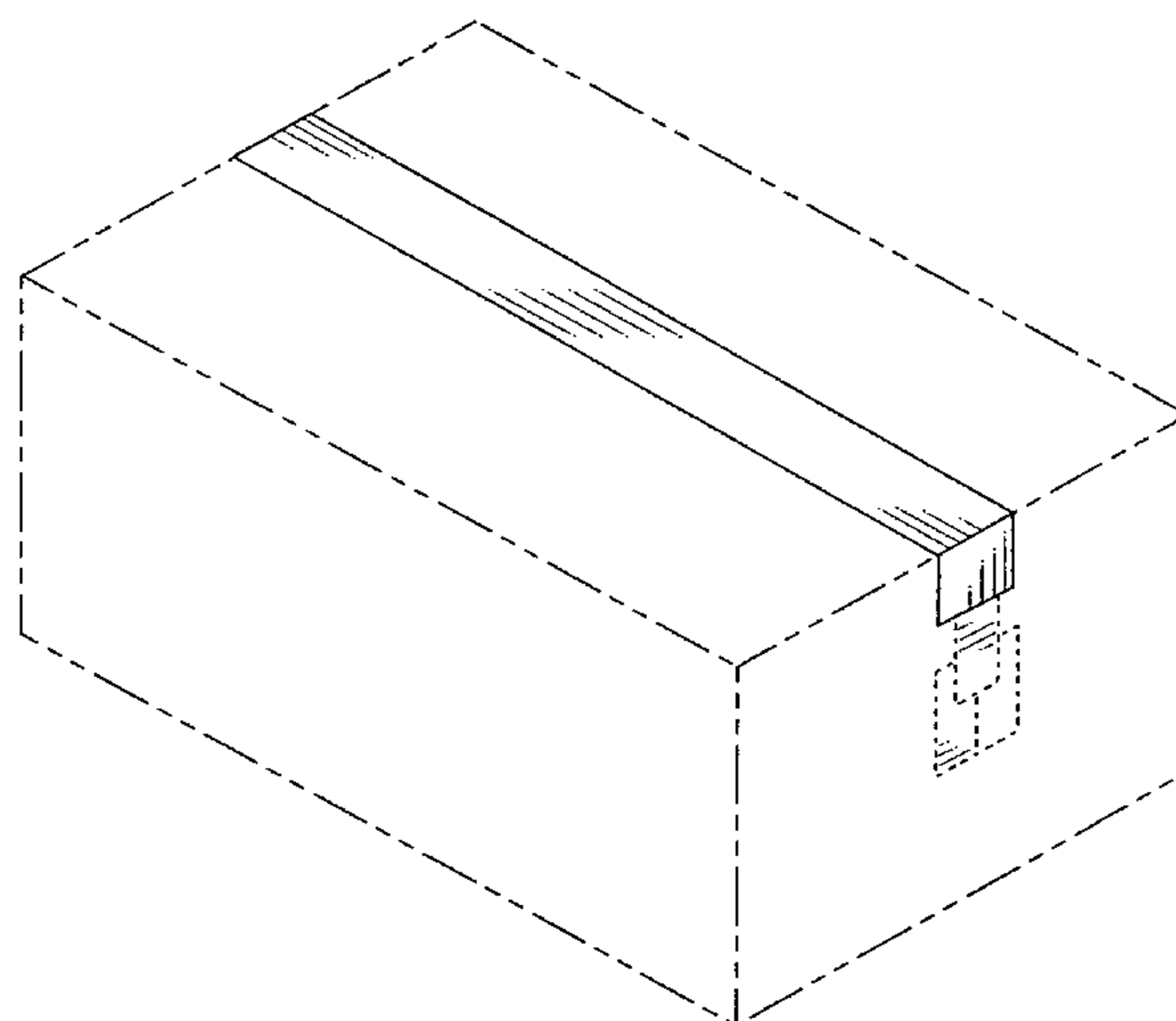


Fig. 1

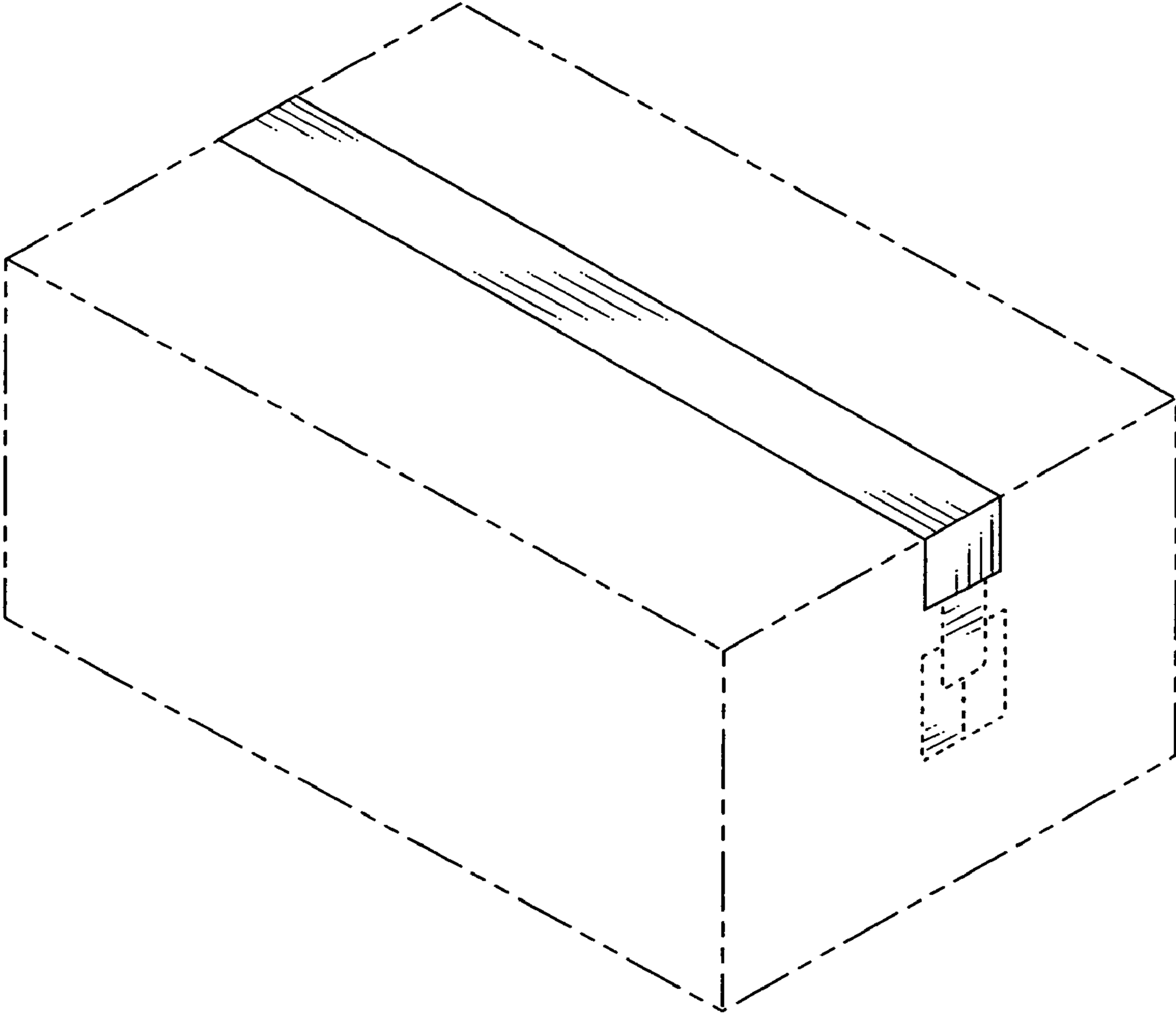


Fig. 2

