

US00D546172S

(12) **United States Design Patent**
Jeanveau

(10) **Patent No.:** **US D546,172 S**

(45) **Date of Patent:** **** Jul. 10, 2007**

(54) **POLE BRACKET**

6,170,877 B1 * 1/2001 Zurn 281/45
D495,241 S * 8/2004 Ramirez et al. D8/356

(76) Inventor: **Florient Jeanveau**, R.R. #3, SITE 39,
Box 5, Sudbury, Ontario (CA) P3E 4N1

* cited by examiner

(**) Term: **14 Years**

Primary Examiner—Louis S. Zarfaz
Assistant Examiner—John Windmuller

(21) Appl. No.: **29/219,909**

(74) *Attorney, Agent, or Firm*—Fay Sharpe LLP

(22) Filed: **Dec. 27, 2004**

(57) **CLAIM**

(51) **LOC (8) Cl.** **08-08**

I claim the ornamental design for the pole bracket, as shown and described.

(52) **U.S. Cl.** **D8/396**

(58) **Field of Classification Search** D8/356,
D8/371, 394–396, 499, 53, 100, 365; D12/51;
D19/65, 90; D28/39, 40, 42; 24/546, 563,
24/910, 327, 334, DIG. 8, DIG. 9, DIG. 13,
24/DIG. 28; 248/74.2, 300, 301, 316.7,
248/229.26

DESCRIPTION

See application file for complete search history.

FIG. 1 is a top perspective view of a pole bracket showing my new design in a seated position;

FIG. 2 is a top perspective view thereof in a raised position;

FIG. 3 is a front elevational view thereof;

FIG. 4 is a left side elevational view thereof;

FIG. 5 is a top plan view thereof;

FIG. 6 is a right side elevational view thereof; and,

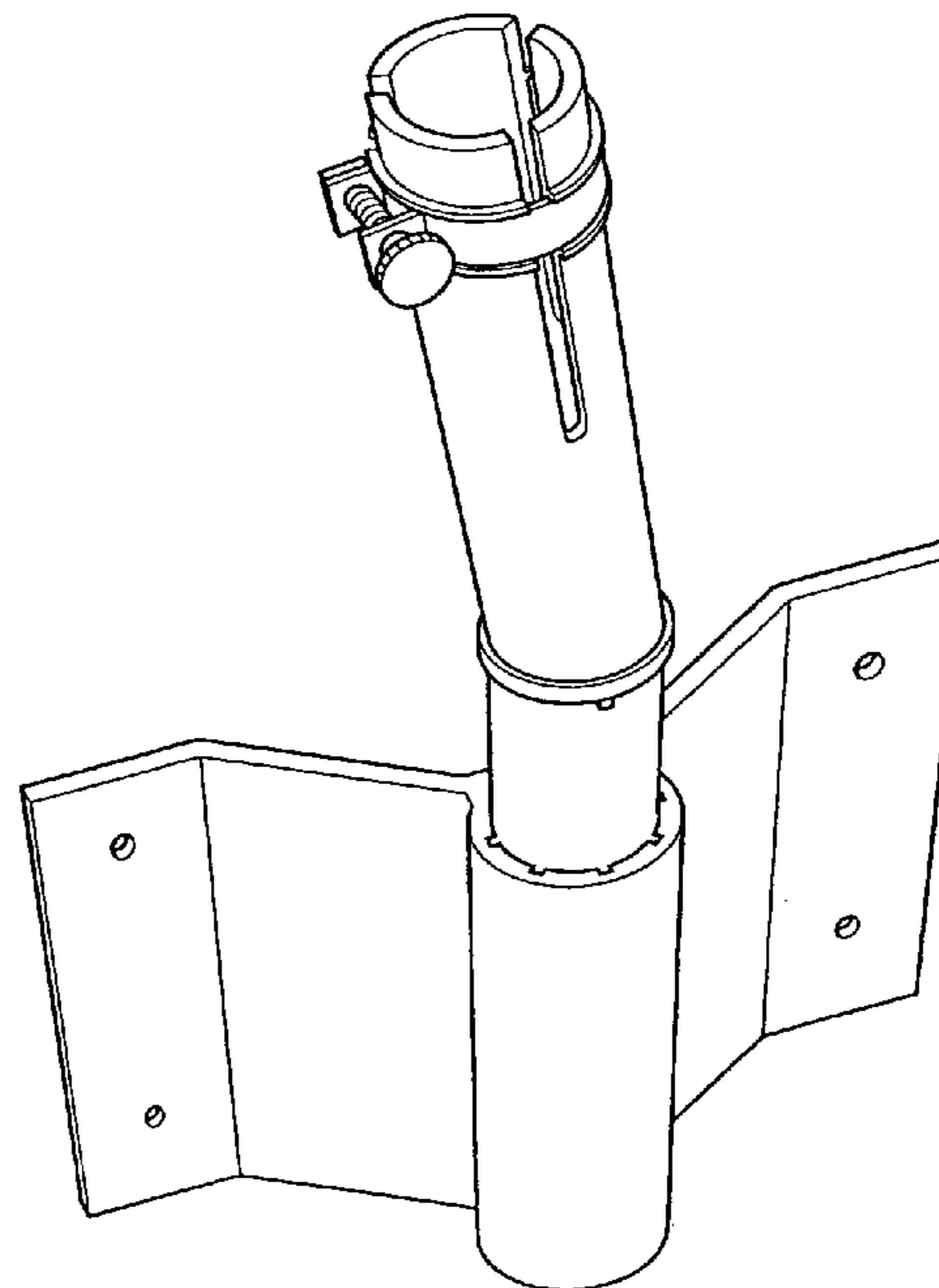
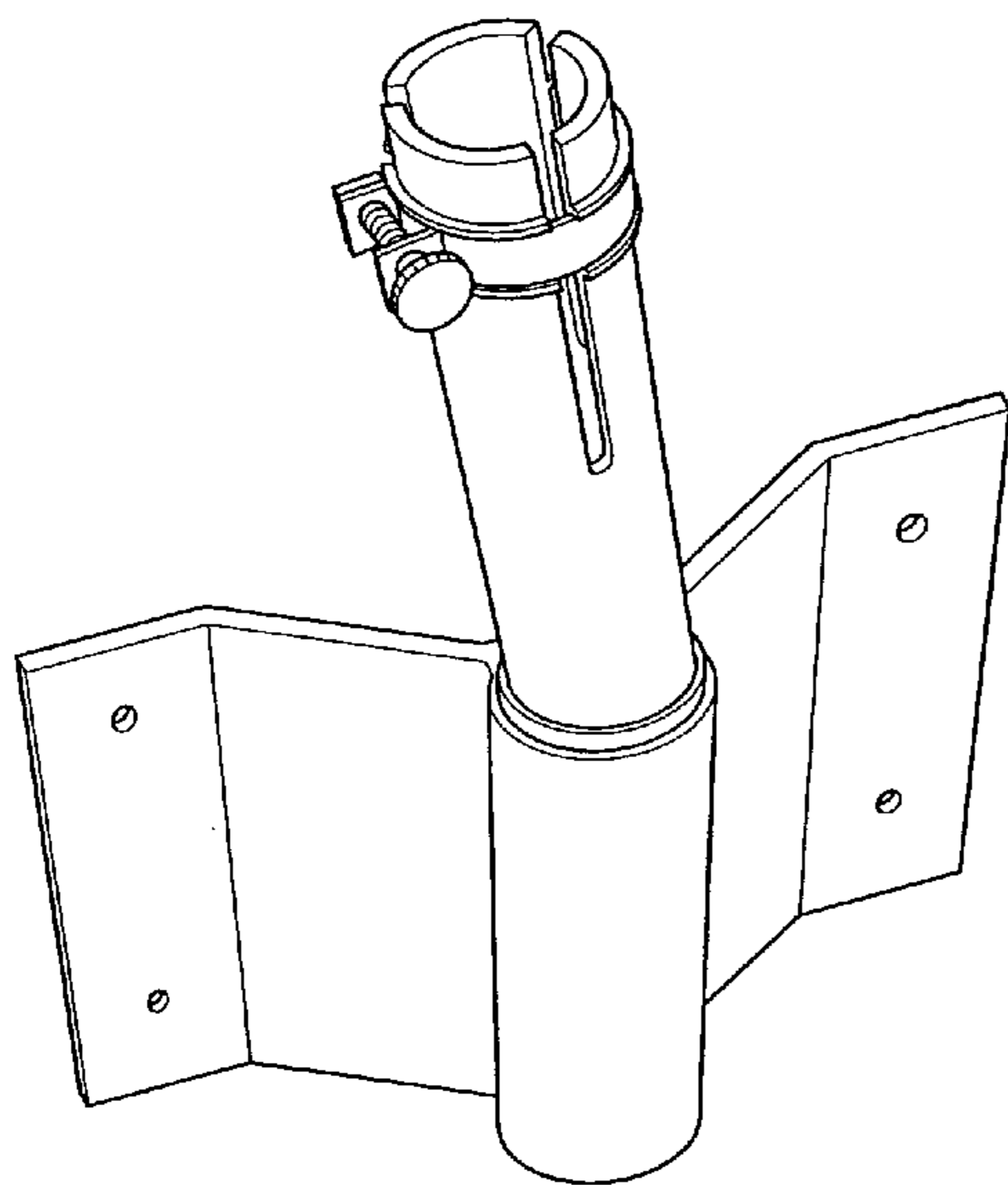
FIG. 7 is a rear elevational view thereof.

(56) **References Cited**

U.S. PATENT DOCUMENTS

- D208,365 S * 8/1967 Pedright D7/397
- D217,116 S * 4/1970 Pieper D8/382
- 4,296,524 A * 10/1981 Horholt et al. 16/225
- D286,743 S * 11/1986 Cohen D8/394

1 Claim, 3 Drawing Sheets



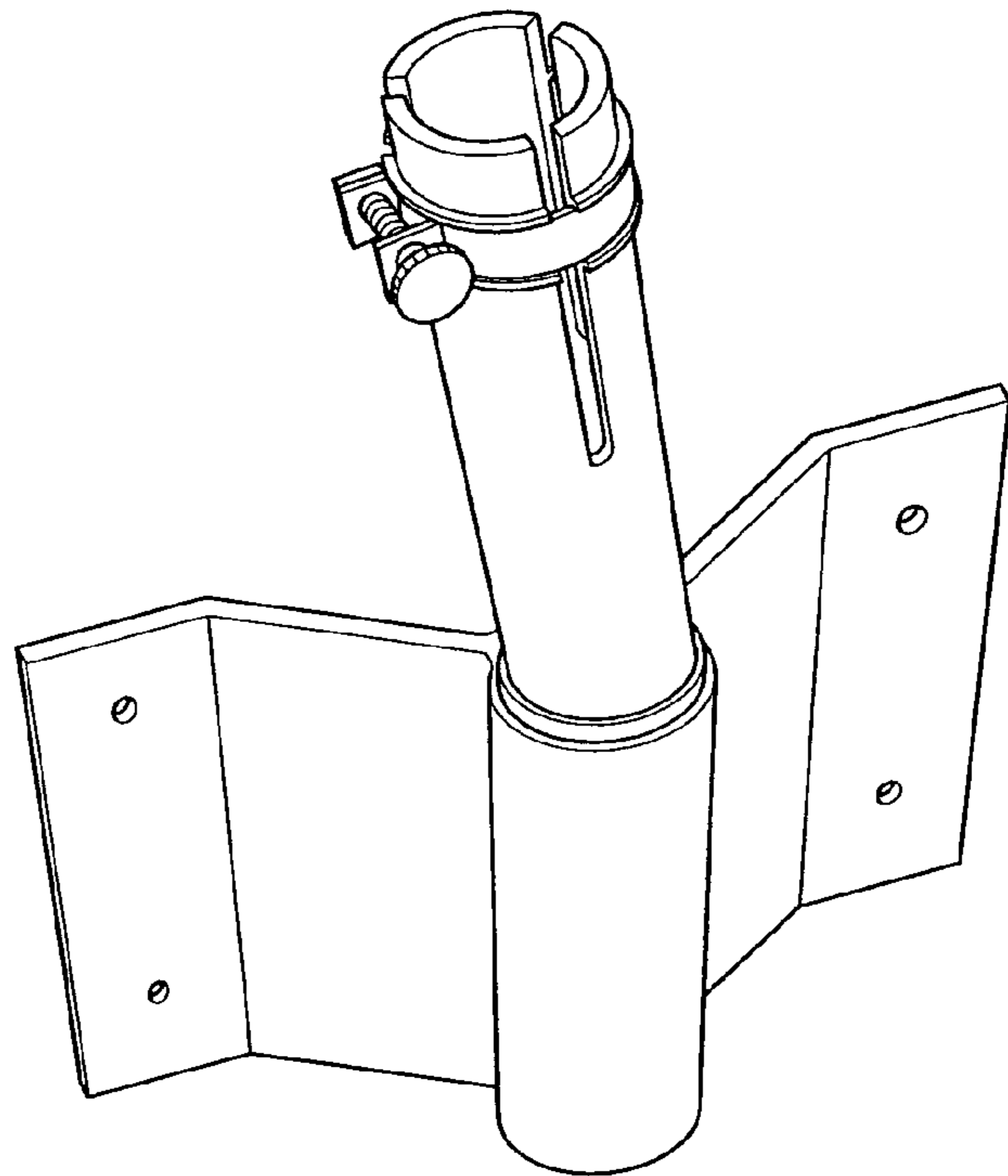


Fig. 1

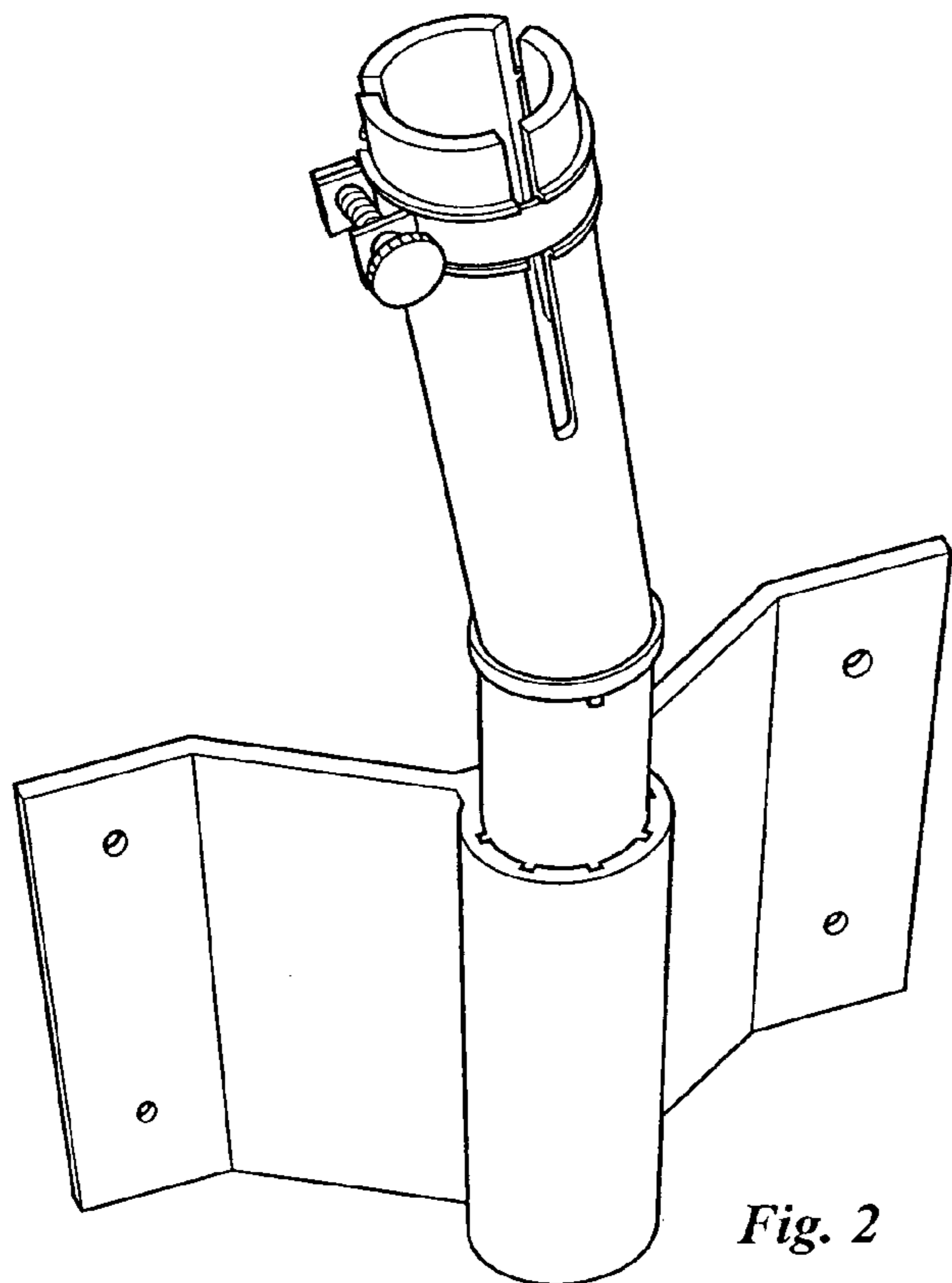


Fig. 2

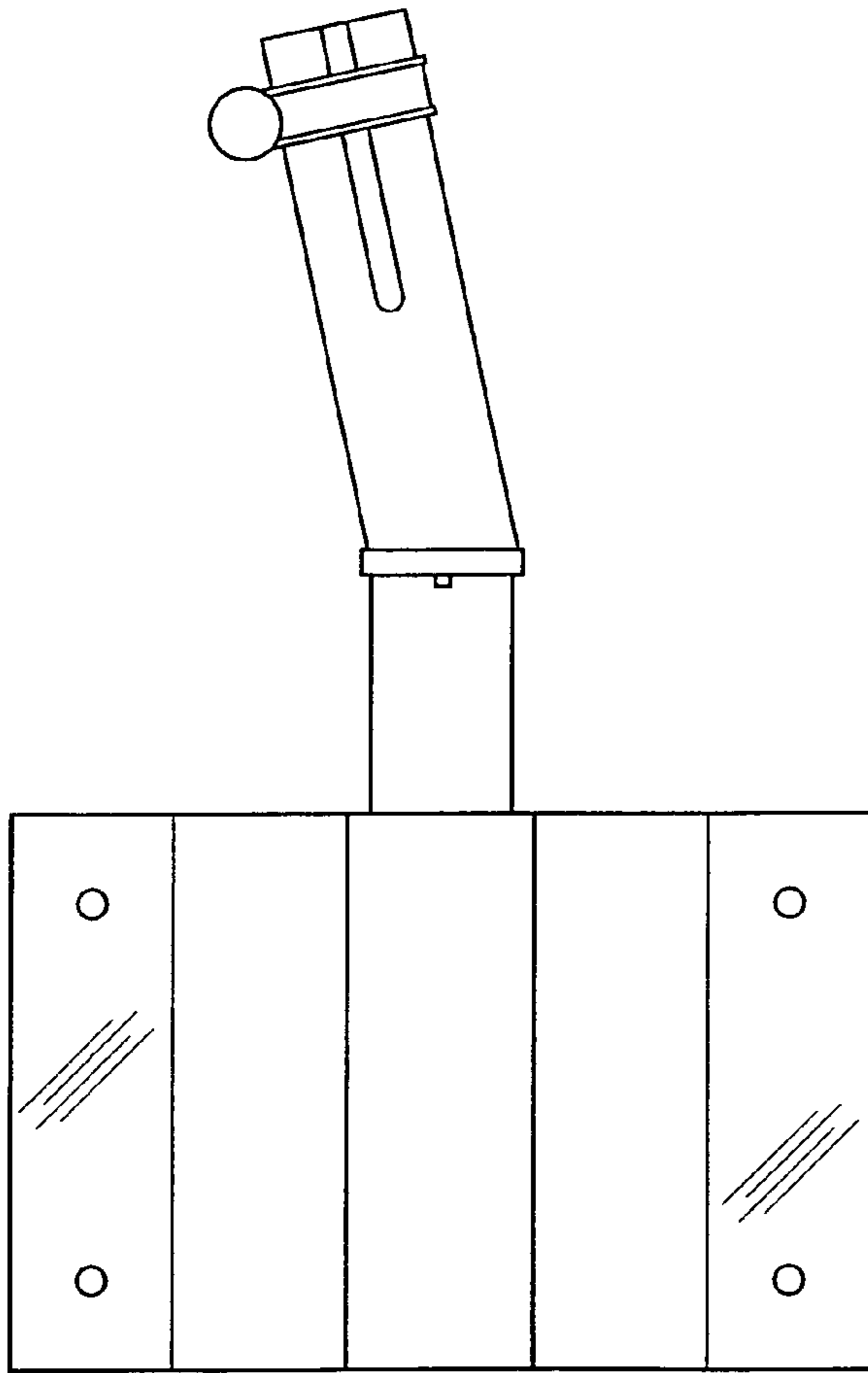


Fig. 3

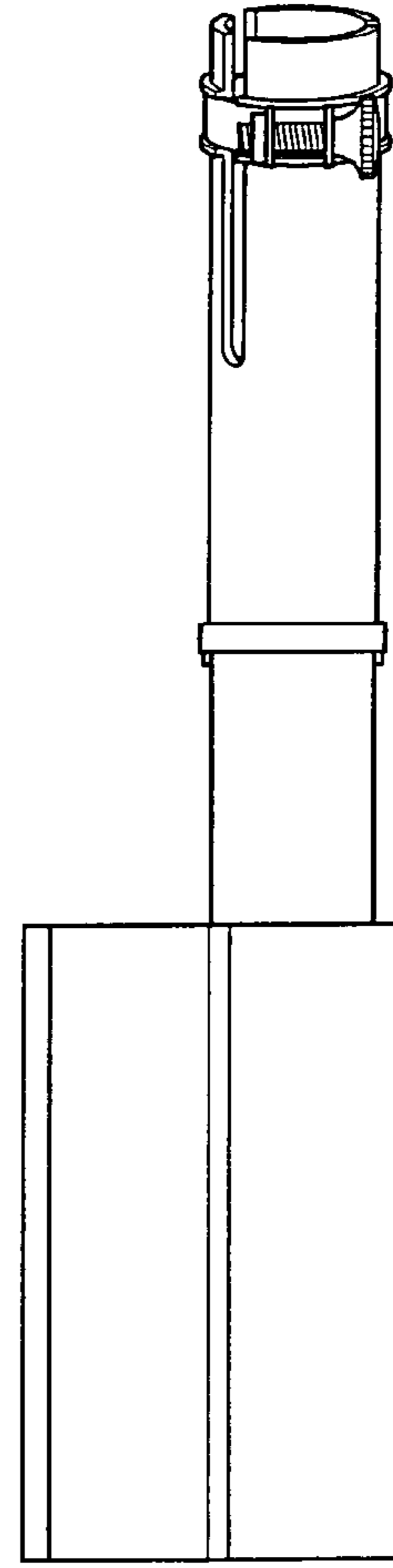


Fig. 4

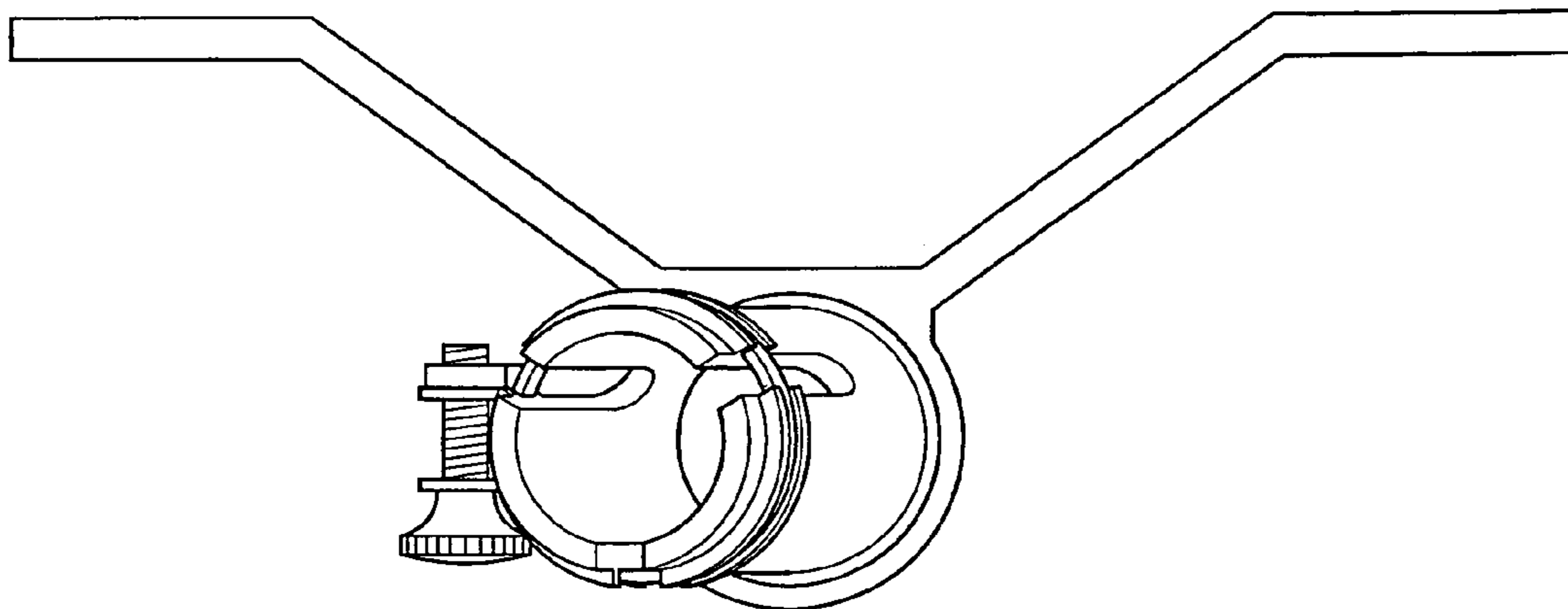


Fig. 5

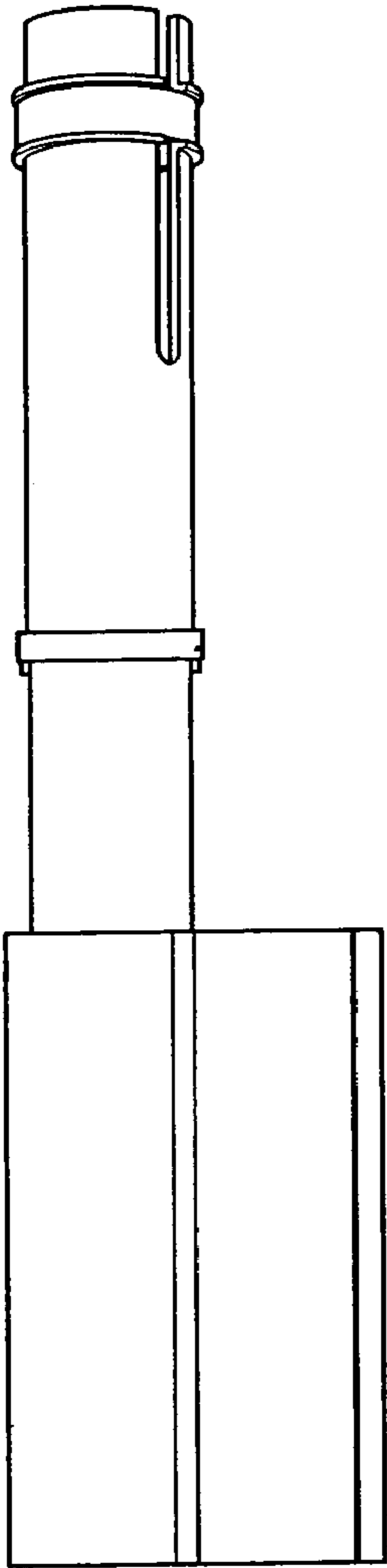


Fig. 6

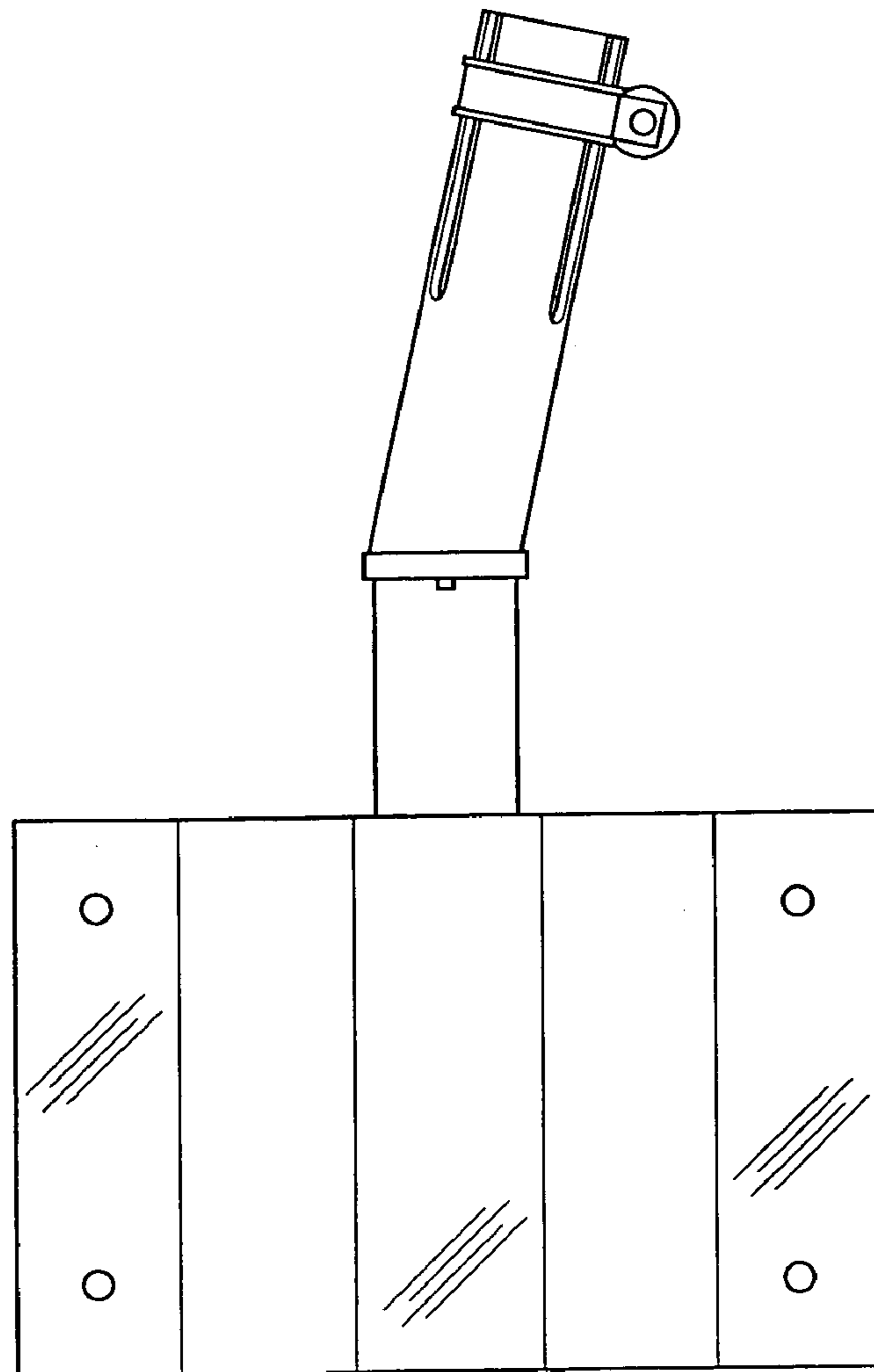


Fig. 7

UNITED STATES PATENT AND TRADEMARK OFFICE
CERTIFICATE OF CORRECTION

PATENT NO. : Des. 546,172 S
APPLICATION NO. : 29/219909
DATED : July 10, 2007
INVENTOR(S) : Florent Jeanveau

Page 1 of 1

It is certified that error appears in the above-identified patent and that said Letters Patent is hereby corrected as shown below:

On the title page (76), delete "Florient" and insert therefor --Florent--.

Signed and Sealed this

Twenty-seventh Day of November, 2007

A handwritten signature in black ink on a dotted background. The signature reads "Jon W. Dudas" in a cursive style.

JON W. DUDAS

Director of the United States Patent and Trademark Office