



US00D546170S

(12) **United States Design Patent**
Adams

(10) **Patent No.:** **US D546,170 S**
(45) **Date of Patent:** **** Jul. 10, 2007**

(54) **BANISTER CLIP**

(75) Inventor: **William E. Adams**, Portersville, PA
(US)

(73) Assignee: **Adams Mfg. Corp.**, Portersville, PA
(US)

(**) Term: **14 Years**

(21) Appl. No.: **29/265,242**

(22) Filed: **Aug. 28, 2006**

(51) **LOC (8) Cl.** **08-05**

(52) **U.S. Cl.** **D8/367**

(58) **Field of Classification Search** D8/356,
D8/371, 394-396, 367, 373; D19/65; 24/22,
24/67 R, 20 S, 115 R, 546, 563, 910, 343,
24/67.9; 248/74.2, 215, 227.1, 49, 300, 301,
248/316.7, 51, 489, 227.4, 339, 48.2
See application file for complete search history.

(56) **References Cited**

U.S. PATENT DOCUMENTS

D34,263 S * 3/1901 Bailey D8/395
D118,822 S * 2/1940 Kaufman D8/371
3,883,926 A 5/1975 Reynolds
D262,842 S * 2/1982 Morey D6/546

5,141,192 A 8/1992 Adams
5,613,656 A 3/1997 Protz, Jr.
6,644,836 B1 * 11/2003 Adams 362/396
D492,890 S * 7/2004 Adams D8/367
6,848,660 B2 2/2005 Jackson

* cited by examiner

Primary Examiner—Lou Zarfaz
Assistant Examiner—John Windmuller
(74) *Attorney, Agent, or Firm*—Buchanan Ingersoll &
Rooney PC

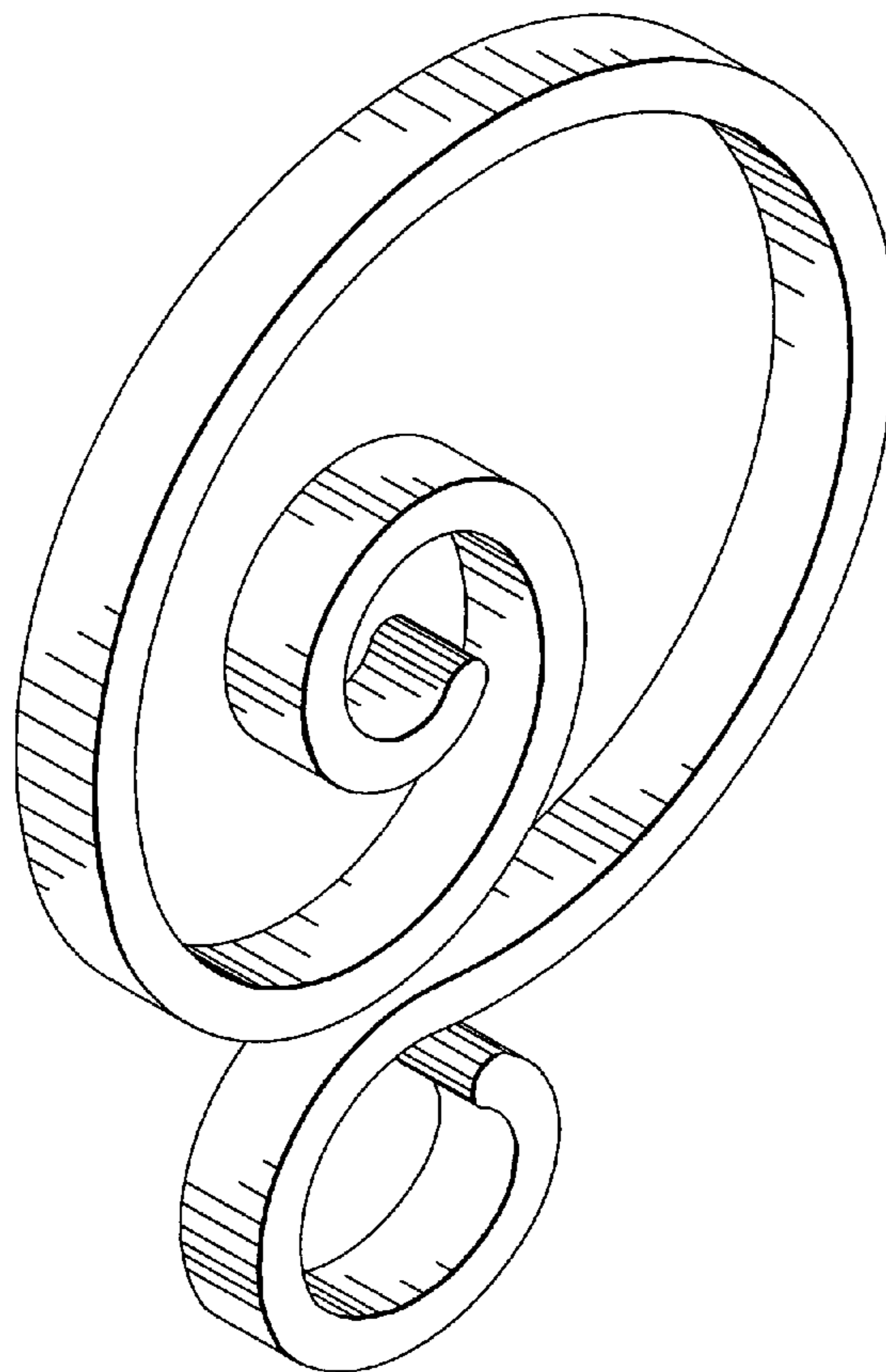
(57) **CLAIM**

The ornamental design for a banister clip, as shown and described.

DESCRIPTION

FIG. 1 is a perspective view of a banister clip showing my new design;
FIG. 2 is a left side elevational view thereof, the right side elevational view being a mirror image thereof;
FIG. 3 is a top plan view thereof;
FIG. 4 is a bottom plan view thereof;
FIG. 5 is a front elevational view thereof; and,
FIG. 6 is a rear elevational view thereof.

1 Claim, 3 Drawing Sheets



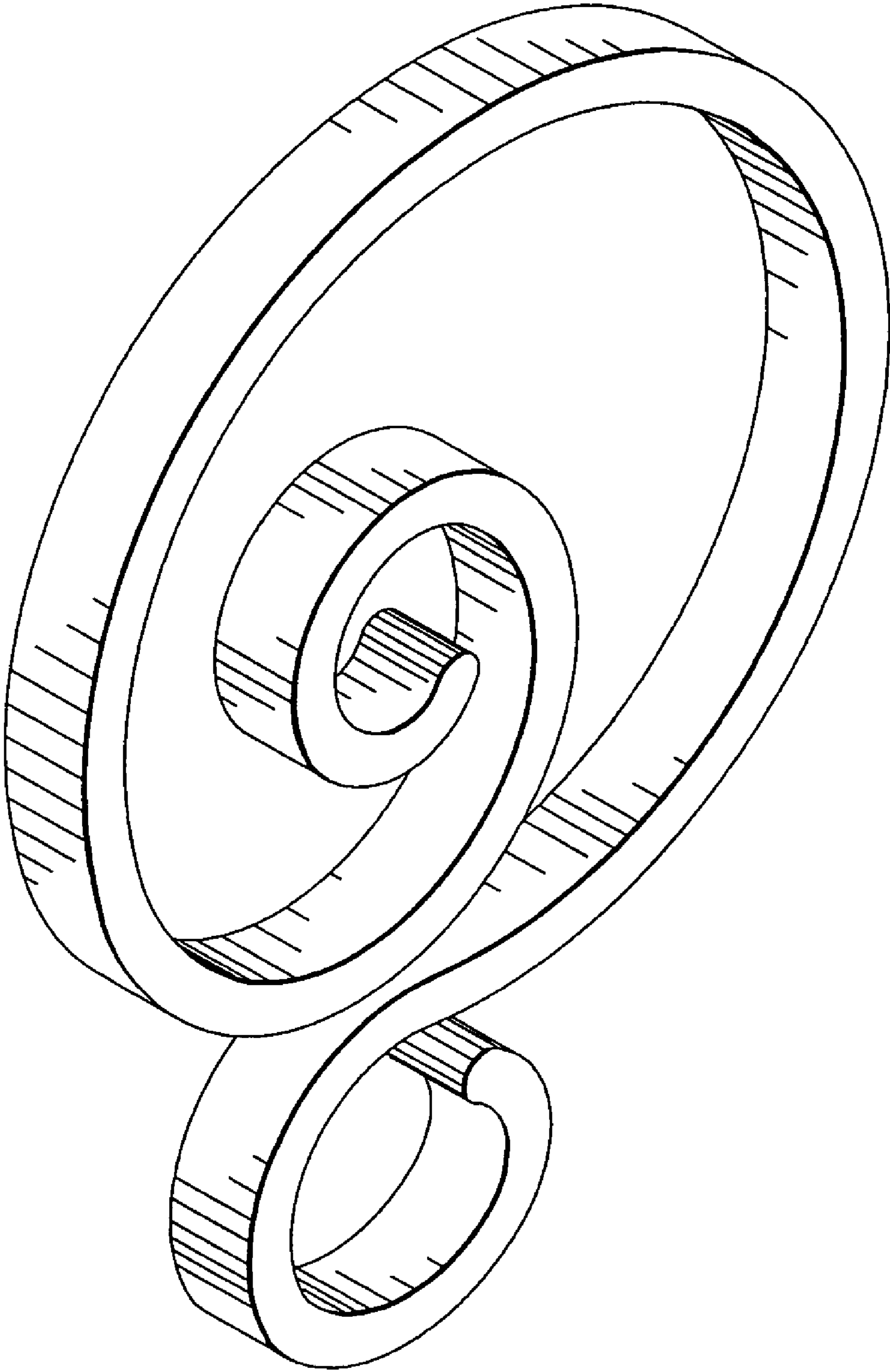


FIG. 1

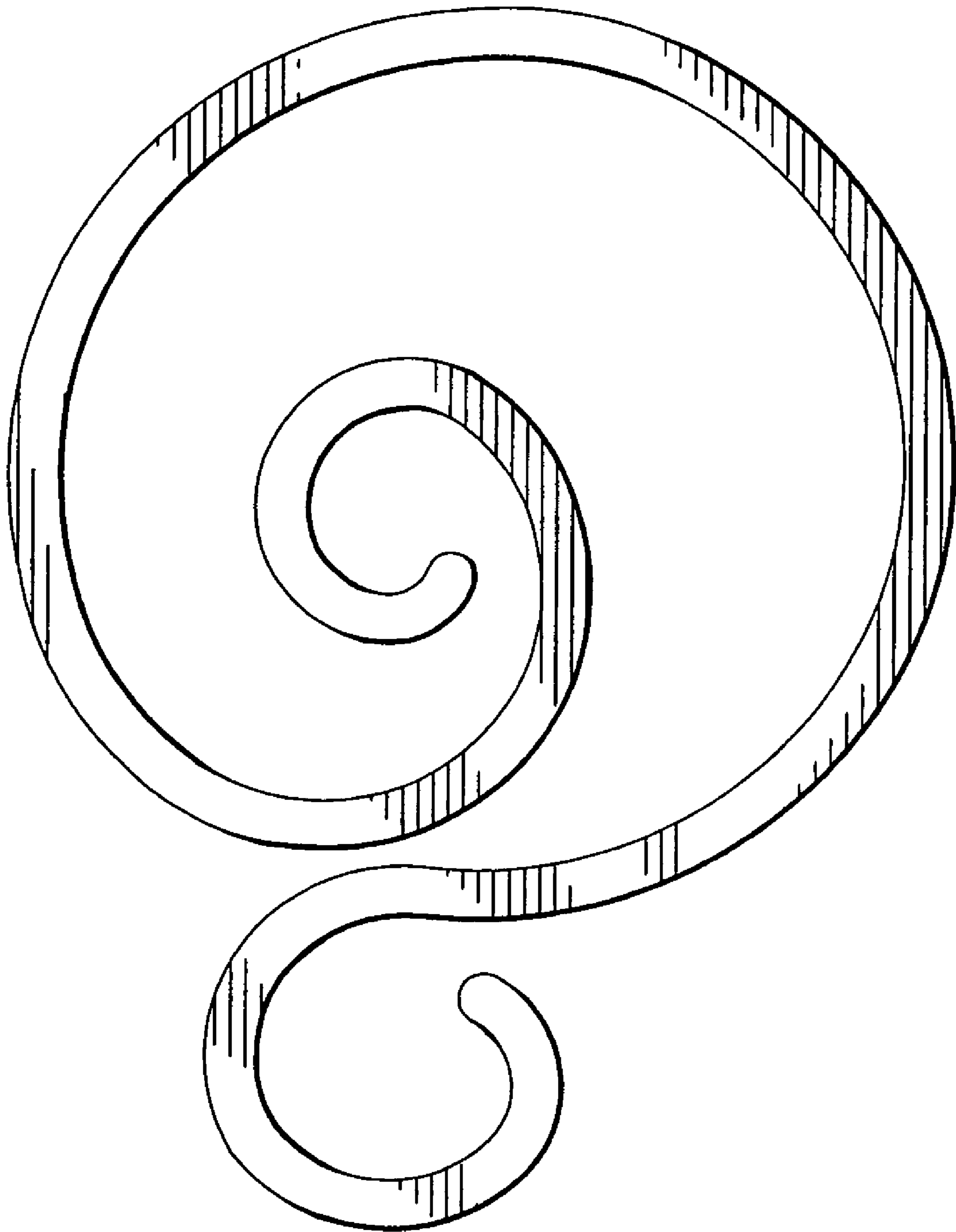


FIG. 2



FIG. 3



FIG. 4

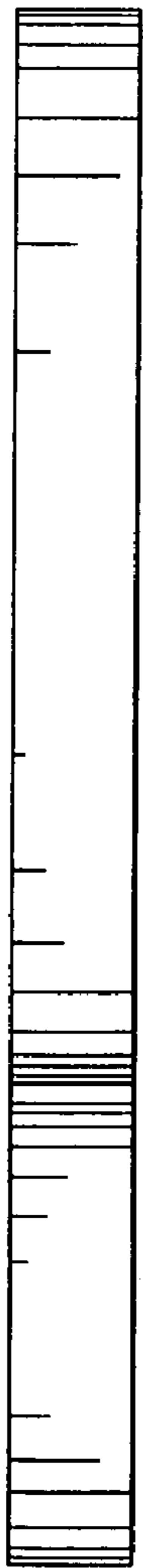


FIG. 5

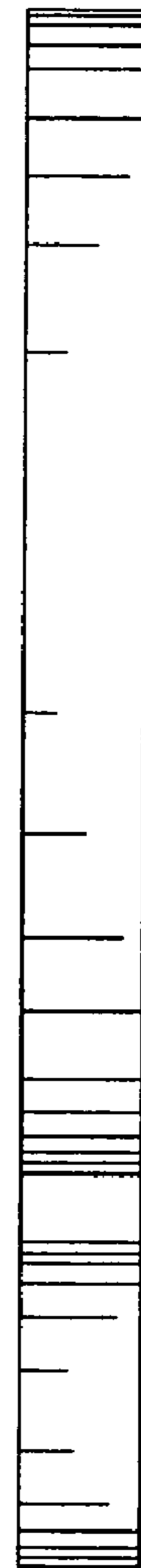


FIG. 6