



US00D546167S

(12) **United States Design Patent**
Noethe

(10) **Patent No.:** **US D546,167 S**

(45) **Date of Patent:** **** Jul. 10, 2007**

(54) **ANCHORING DEVICE FOR SECURING
BOATS TO SHORE**

6,321,861 B1 * 11/2001 Leichter 175/323
D524,328 S * 7/2006 Shepherd D15/28
2004/0103599 A1 * 6/2004 Keck 52/155

(76) Inventor: **Robert W. Noethe**, 10843 Blue
Mountain Ave., Blue Mounds, WI (US)
53517

* cited by examiner

Primary Examiner—Holly H. Baynham

Assistant Examiner—Sheryl Friedman

(**) Term: **14 Years**

(21) Appl. No.: **29/231,686**

(22) Filed: **Jun. 9, 2005**

(51) **LOC (8) Cl.** **08-05**

(52) **U.S. Cl.** **D8/349; D8/387; D8/1**

(58) **Field of Classification Search** 248/87,
248/156; D8/1, 6, 349, 387; 411/403, 393,
411/394, 402, 382; 172/21, 2
See application file for complete search history.

(56) **References Cited**

U.S. PATENT DOCUMENTS

946,060	A *	1/1910	Looker	175/385
1,283,246	A *	10/1918	Maloney	52/157
3,382,628	A *	5/1968	Waite	52/157
3,961,671	A *	6/1976	Adams et al.	173/1
4,702,047	A	10/1987	Stokes		
4,756,129	A *	7/1988	Webb	52/157
4,803,812	A *	2/1989	Alexander, Sr.	52/157
5,199,361	A	4/1993	Robinson		
5,224,310	A *	7/1993	Edwards et al.	52/165
5,482,246	A	1/1996	Derkoski		
D368,211	S *	3/1996	Skold	D8/1
D381,892	S	8/1997	Porter		
D398,363	S *	9/1998	LoBue	D21/840
5,881,978	A	3/1999	Rust		
D415,955	S *	11/1999	Paulson	D8/388
D422,896	S *	4/2000	Holzinger	D8/387
6,128,867	A *	10/2000	MacKarvich	52/157
D435,789	S *	1/2001	Holzinger	D8/387
6,202,368	B1	3/2001	Wallace, III		
6,272,798	B1 *	8/2001	Cockman	52/155

(57) **CLAIM**

The ornamental design for an anchoring device for securing boats to shore, as shown.

DESCRIPTION

A visually appealing anchoring device that provides an effective means of securing a boat to a shoreline. Also could be used as an anchor for a tent when camping near the shore of a body of water. The device consists of a “T”-shaped assembly measuring approximately 24 inches long made of hardened steel. The unit would consist of a cross member providing the gripping area used to turn the anchor into the ground or sand. The bottom end of the unit would include a spike or point that allows for quick and easy insertion into the ground. Above the spike would be a split, spiral-shaped plate providing stability in the ground after insertion. The device would provide boaters with a convenient way to anchor their boats to shorelines when no docks are available. The device is ideal for outdoor enthusiasts as it can also be used to anchor tents. The unit has a small and compact design allowing for easy transport and storage.

FIG. 1 is a front view of my design showing the gripping area, the body, the spike, and spiral-shaped plate;

FIG. 2 is a back view FIG. 1;

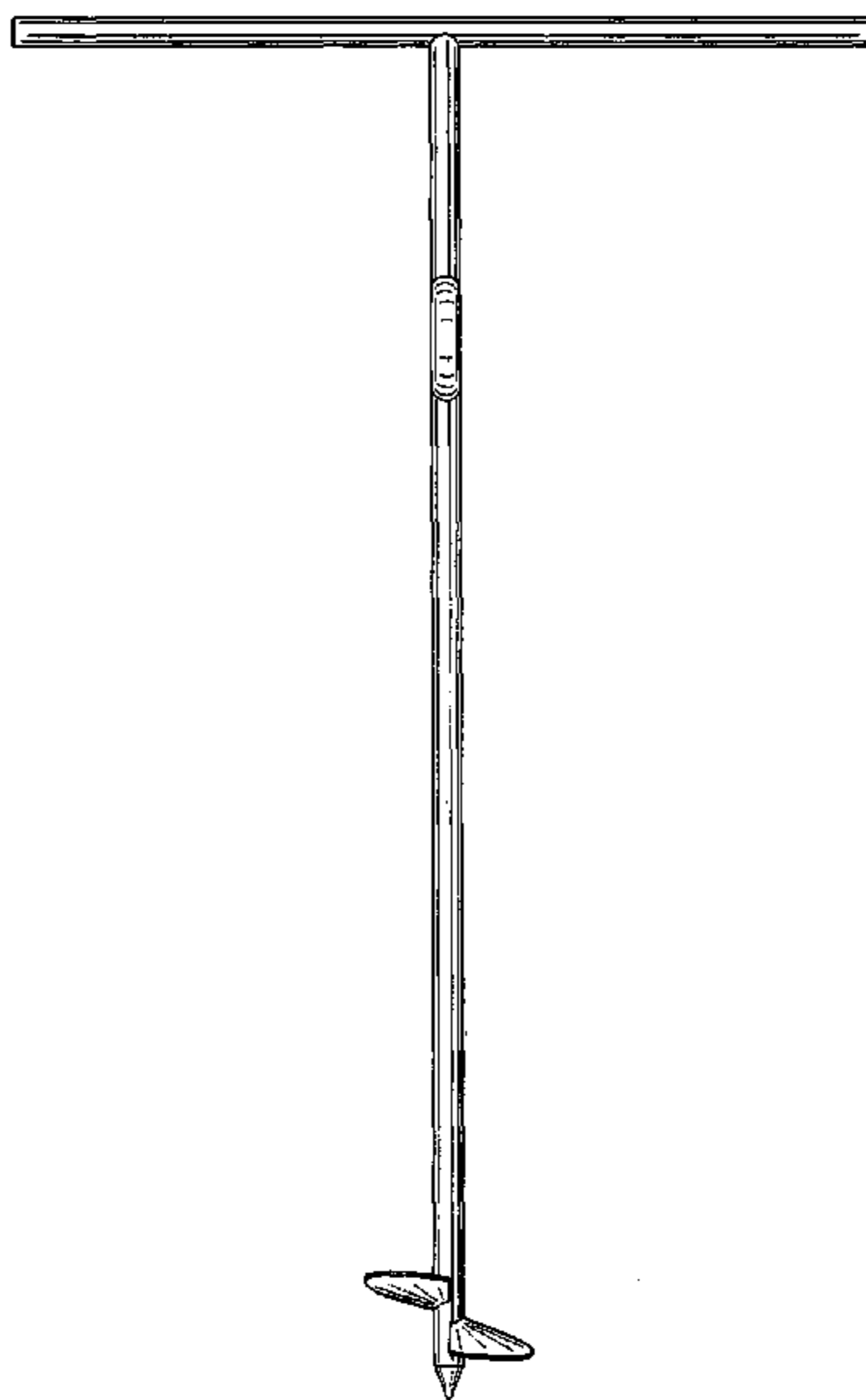
FIG. 3 is a right side perspective view;

FIG. 4 is a left perspective view;

FIG. 5 is a top view of the device; and,

FIG. 6. is a bottom view of the device.

1 Claim, 4 Drawing Sheets



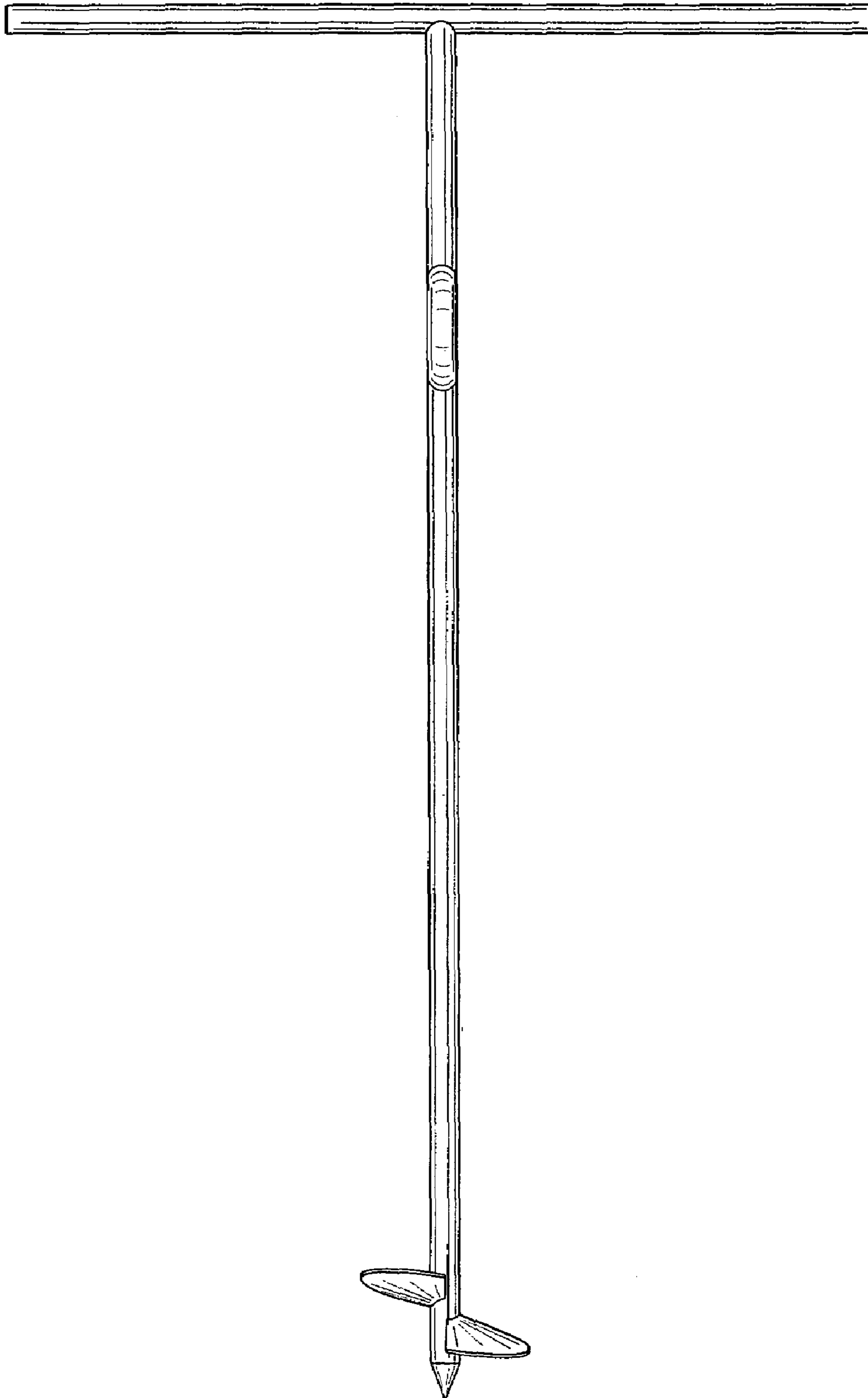


FIG. 1

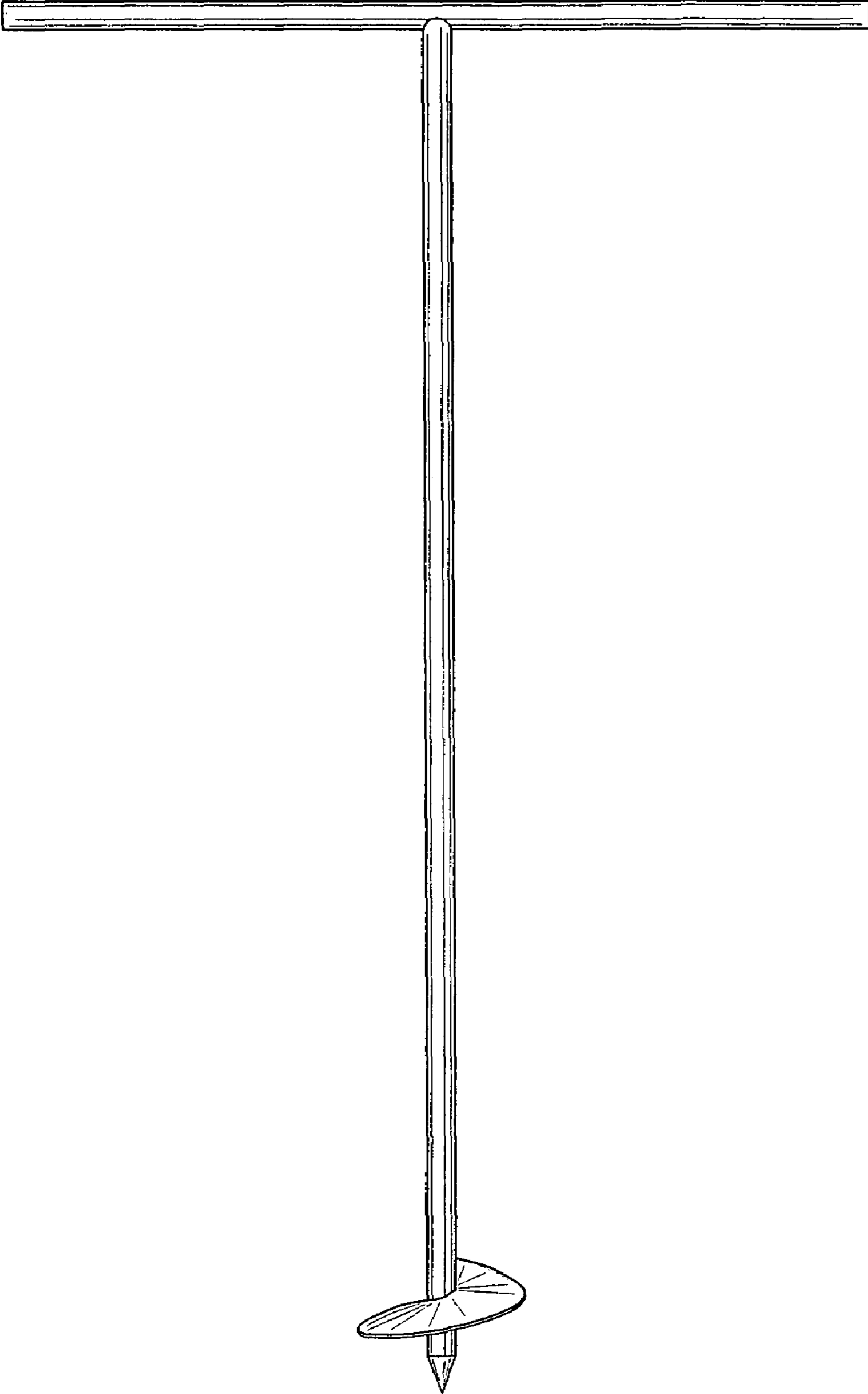


FIG. 2

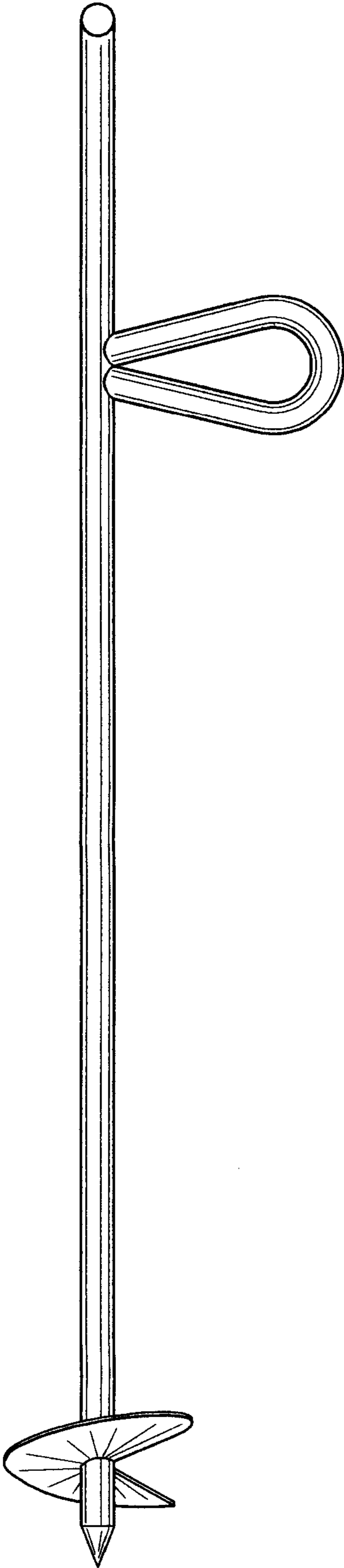


FIG. 3

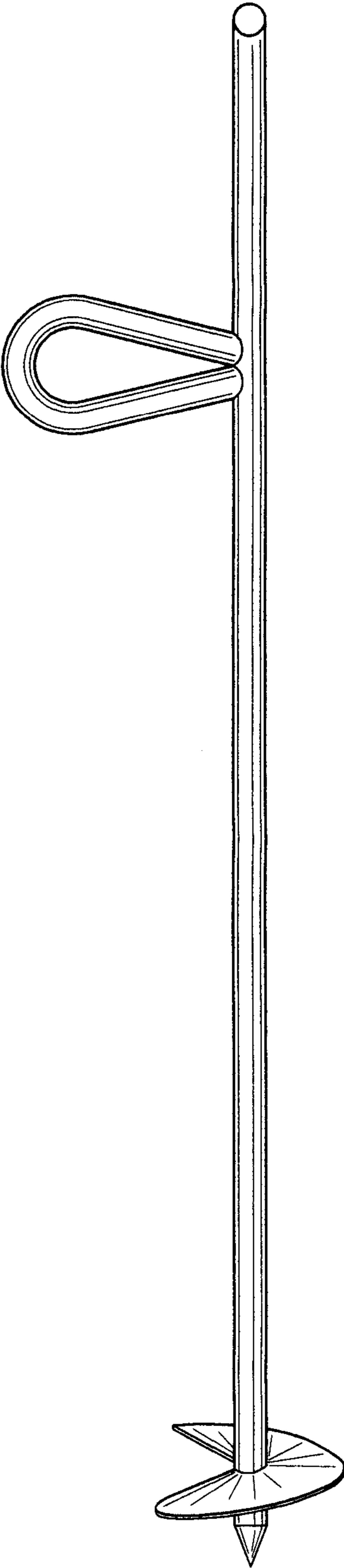


FIG. 4

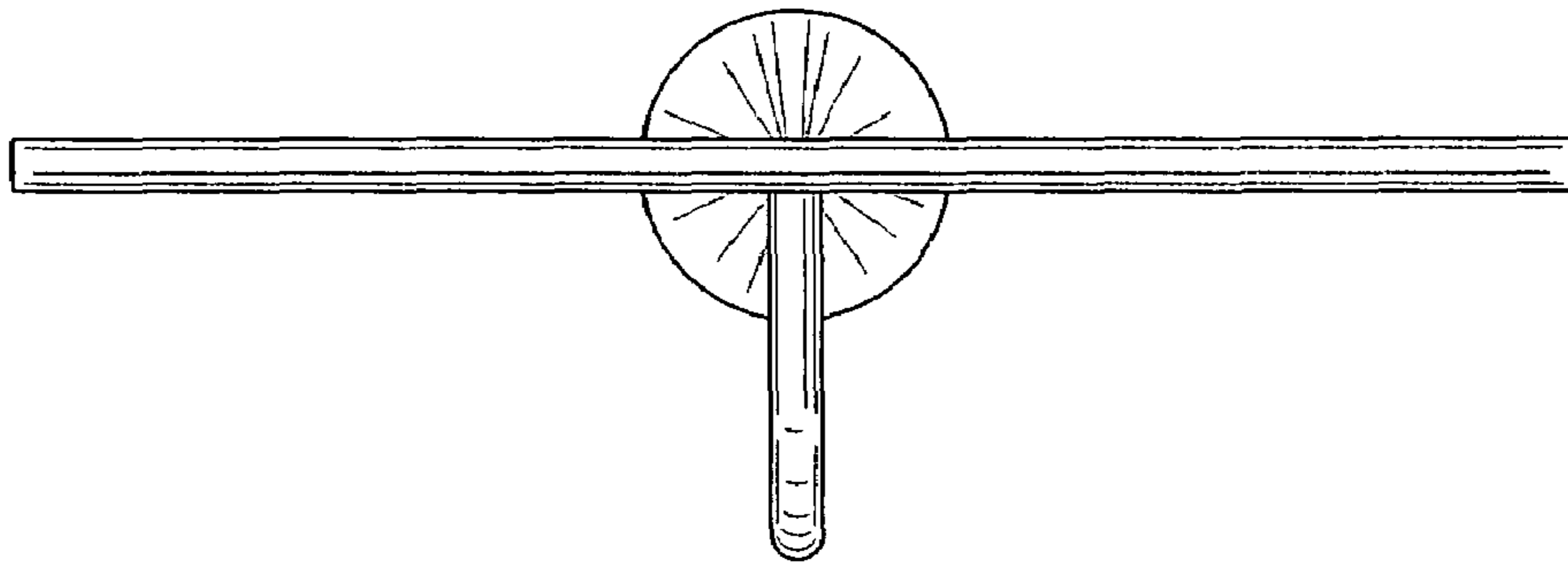


FIG. 5

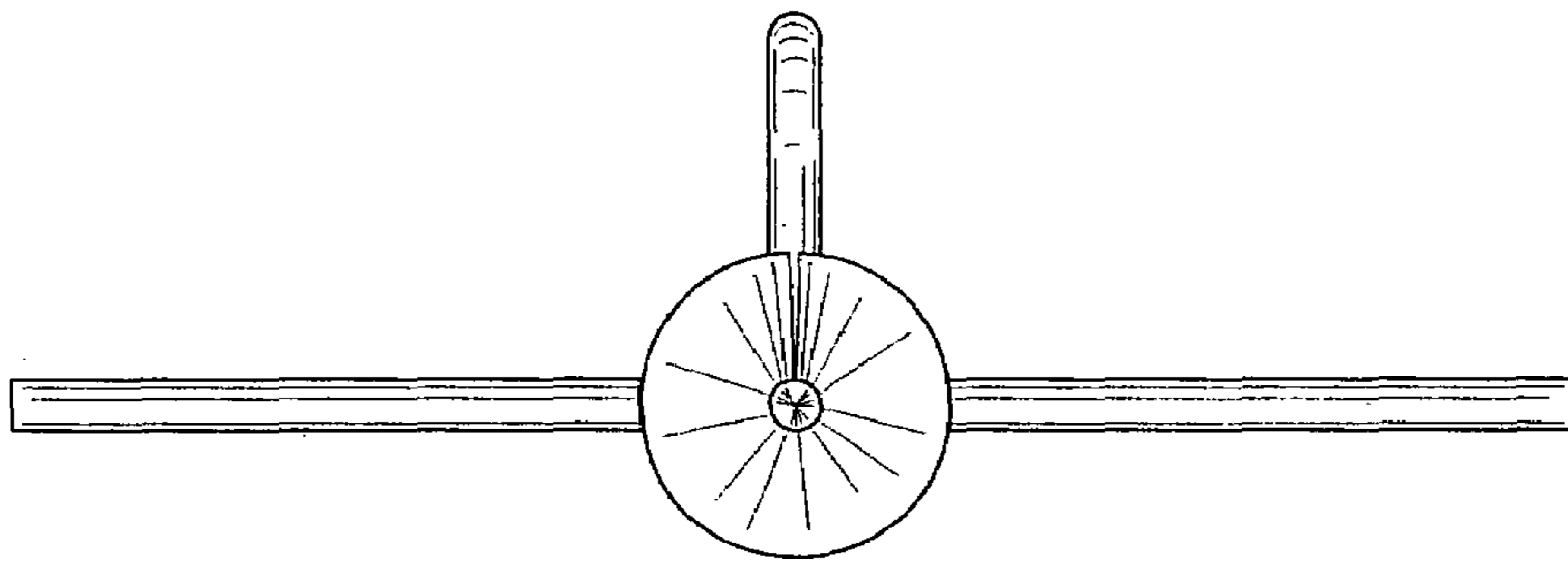


FIG. 6