



US00D546164S

(12) **United States Design Patent**
Storer

(10) **Patent No.:** **US D546,164 S**

(45) **Date of Patent:** **** Jul. 10, 2007**

(54) **PACKAGING HANDLE**

(75) Inventor: **Aileen Storer**, Burbank, CA (US)

(73) Assignee: **MGA Entertainment, Inc.**, Van Nuys, CA (US)

(**) Term: **14 Years**

(21) Appl. No.: **29/234,246**

(22) Filed: **Jul. 14, 2005**

(51) **LOC (8) Cl.** **08-06**

(52) **U.S. Cl.** **D8/305**

(58) **Field of Classification Search** D8/300,
D8/305, 307; 16/110.1; D11/206, 48, 200;
D9/434, 447, 451, 531, 742, 753; 24/708.5,
24/710, 4; 127/7; 163/7, 20

See application file for complete search history.

(56) **References Cited**

U.S. PATENT DOCUMENTS

- D31,303 S * 8/1899 Taylor D11/206
- 780,819 A * 1/1905 Brown 127/7
- 921,684 A * 5/1909 Farmer 24/710
- 1,385,743 A * 7/1921 Ellert 24/710
- 1,623,532 A * 4/1927 Dudas et al. 24/710
- 2,308,826 A * 1/1943 Rhoten 24/708.5
- D165,912 S * 2/1952 Glassband D11/206

- 2,903,773 A * 9/1959 Piplack 24/710
- D319,569 S * 9/1991 Clark D9/434
- D325,169 S * 4/1992 Montoya D9/434

* cited by examiner

Primary Examiner—Paula A. Greene

(74) *Attorney, Agent, or Firm*—Sheppard, Mullin, Richter & Hampton LLP

(57) **CLAIM**

I claim the ornamental design for a packaging handle, as shown and described.

DESCRIPTION

FIG. 1 is a perspective view of a packaging handle showing the new design;

FIG. 2 is a front elevational view thereof, the rear elevational view being a mirror image of the front elevational view;

FIG. 3 is a left side elevational view thereof;

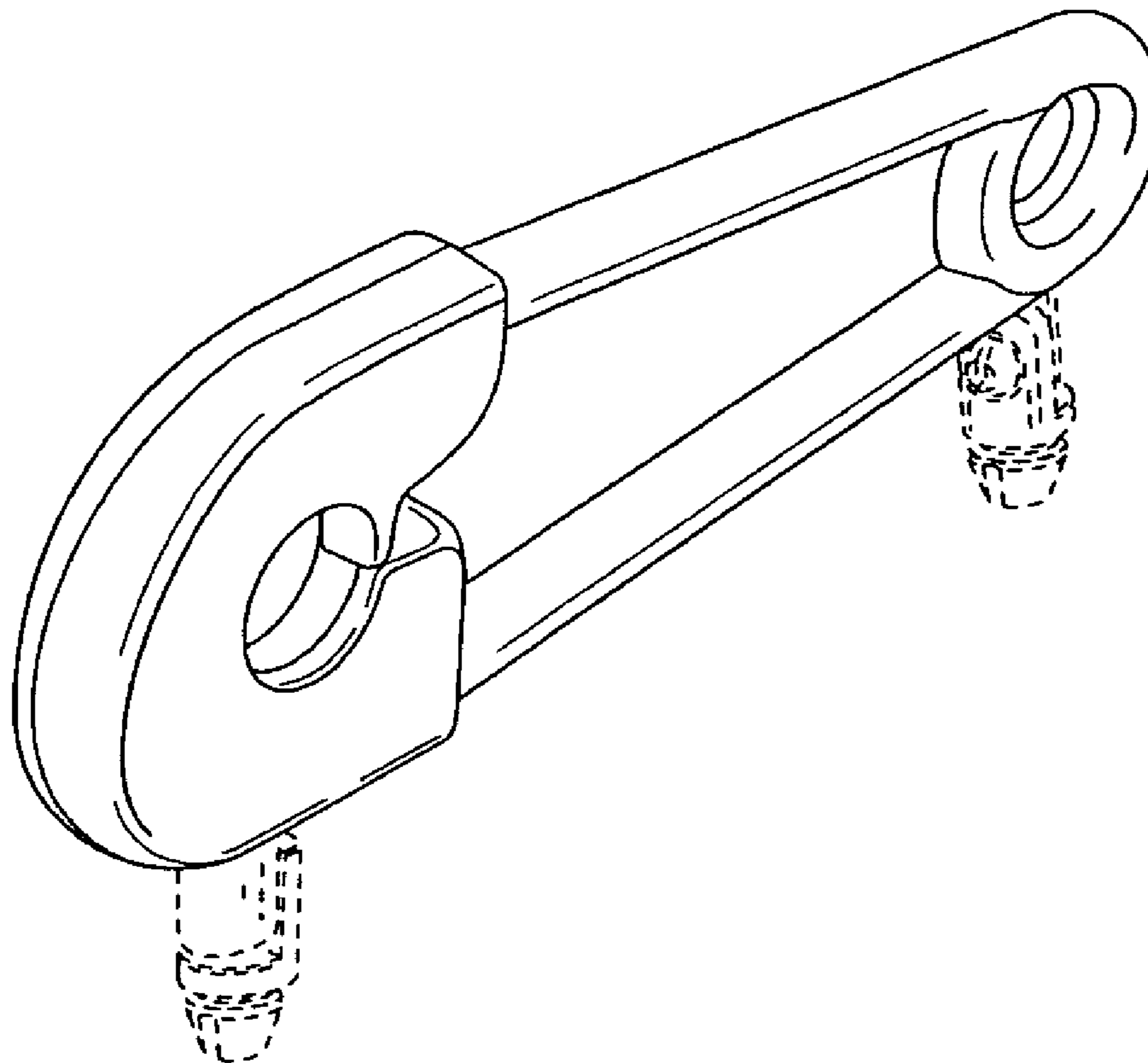
FIG. 4 is a right side elevational view thereof;

FIG. 5 is a top plan view thereof; and,

FIG. 6 is a bottom plan view thereof.

The dotted lines are for illustrative purposes only and form no part of the claimed design.

1 Claim, 2 Drawing Sheets



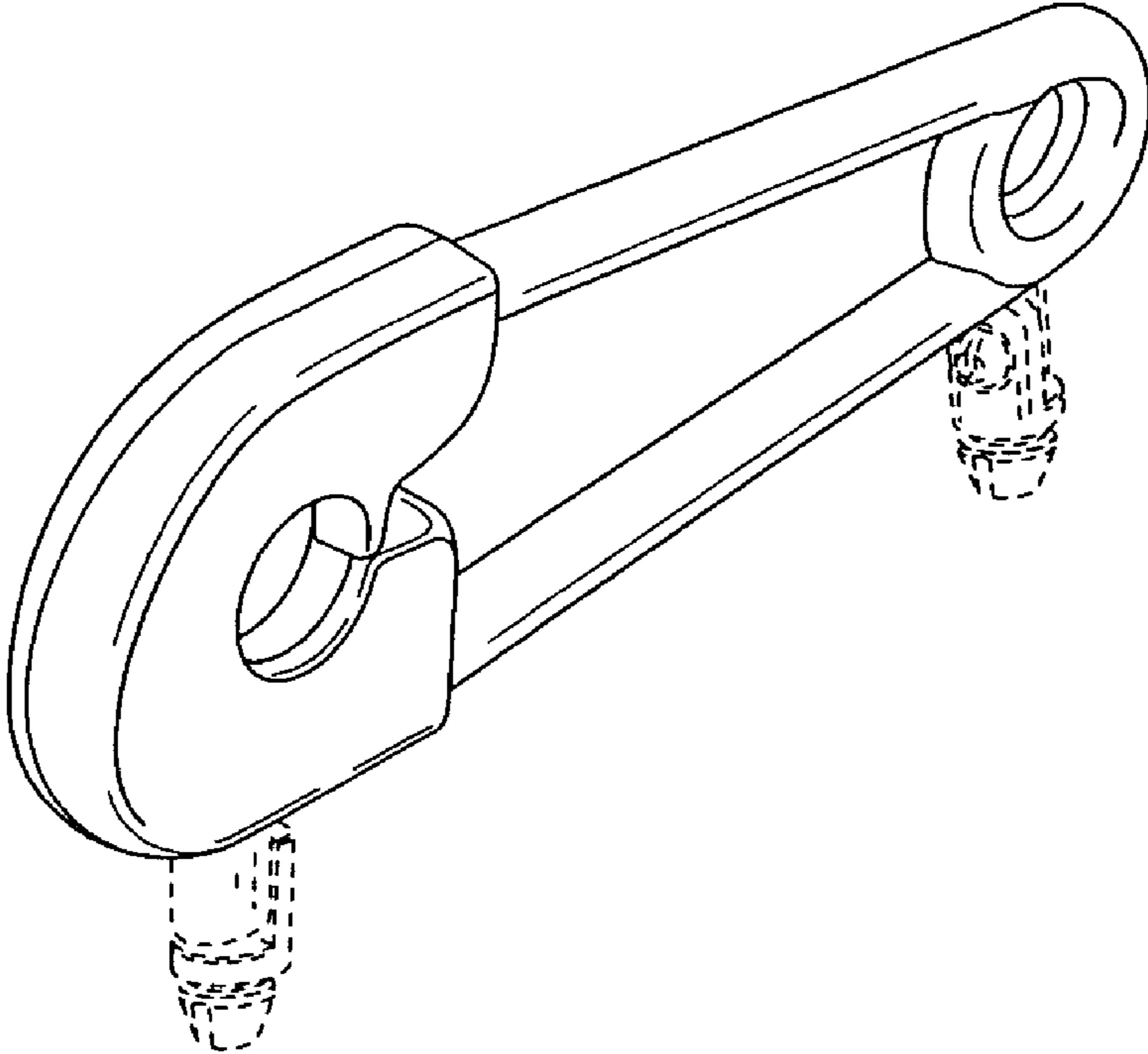


FIG. 1

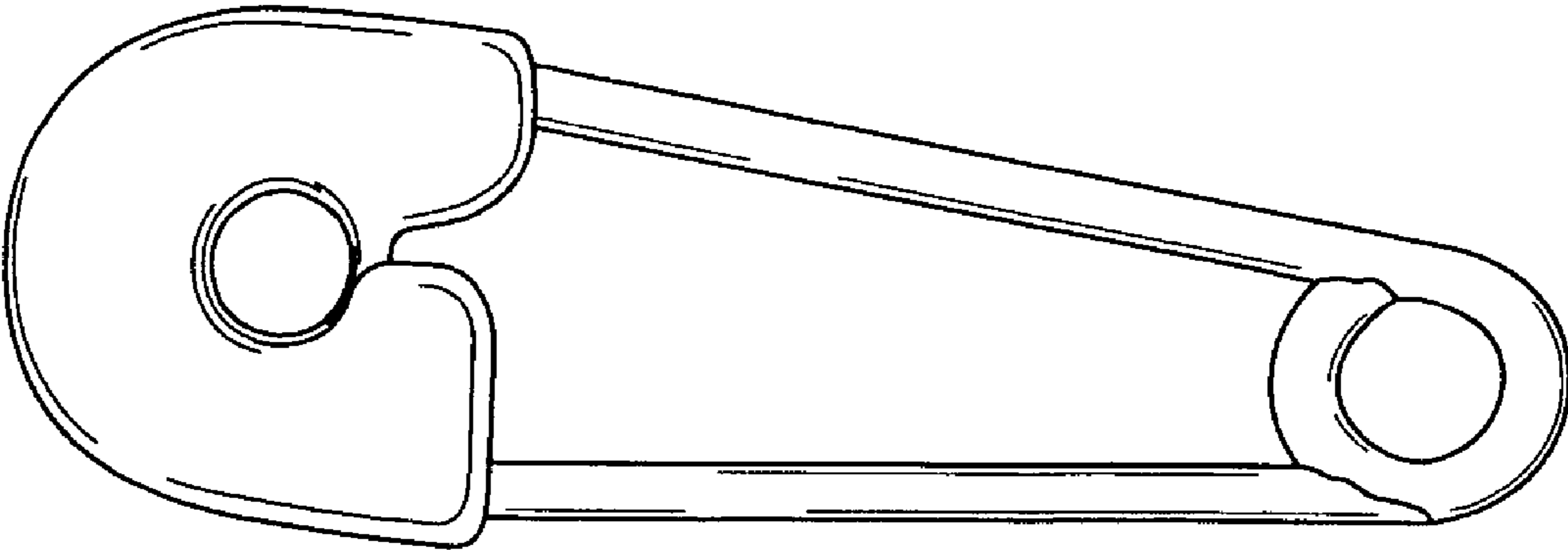


FIG. 2

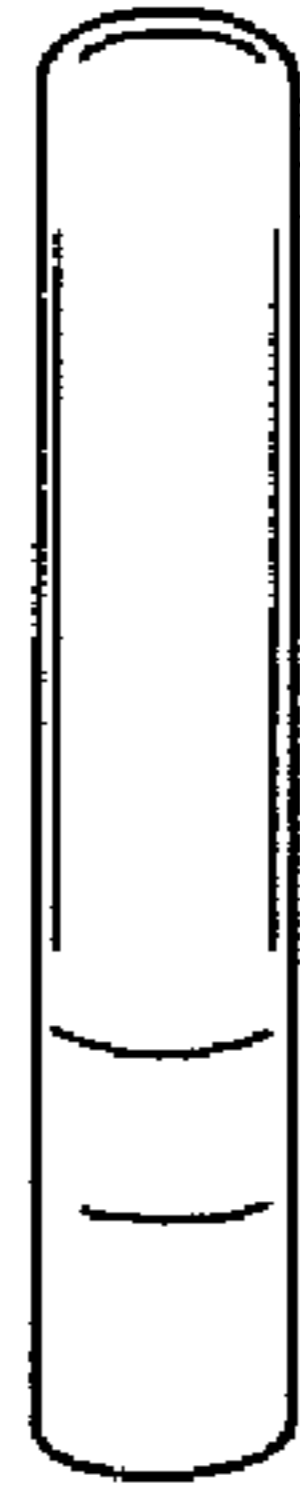


FIG. 3

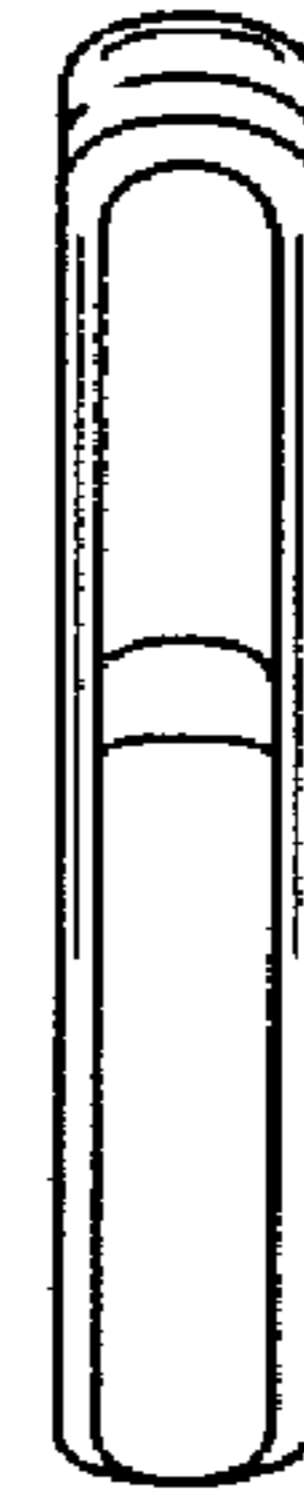


FIG. 4

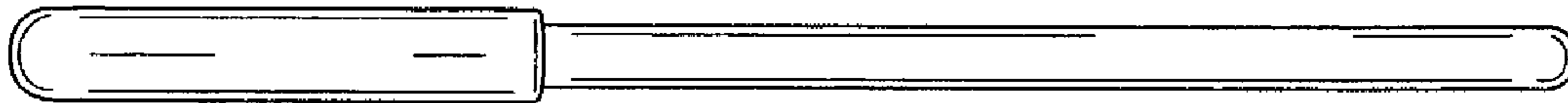


FIG. 5

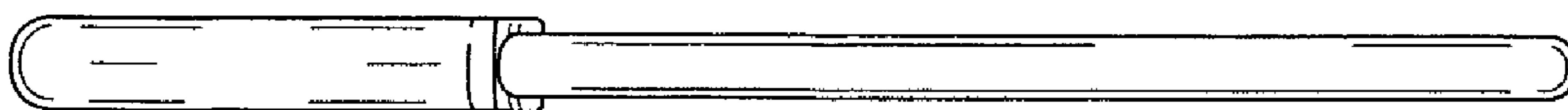


FIG. 6