



US00D546160S

(12) **United States Design Patent**
Reithmeyer

(10) **Patent No.:** **US D546,160 S**

(45) **Date of Patent:** **** Jul. 10, 2007**

(54) **GLIDING DOOR HANDLE ASSEMBLY**

(75) Inventor: **Joseph G. Reithmeyer**, Afton, MN
(US)

(73) Assignee: **Andersen Corporation**, Bayport, MN
(US)

(**) Term: **14 Years**

(21) Appl. No.: **29/259,439**

(22) Filed: **May 9, 2006**

(51) **LOC (8) Cl.** **08-06**

(52) **U.S. Cl.** **D8/301**

(58) **Field of Classification Search** D8/301,
D8/302, 315-320, 352, 338; 70/95, 452;
16/110.1, 412, 415, 416, 443; 292/336.3,
292/DIG. 46

See application file for complete search history.

(56) **References Cited**

U.S. PATENT DOCUMENTS

D320,334 S	10/1991	Clancy	
D340,179 S	10/1993	Mirick et al.	
D340,398 S	10/1993	Clancy	
D384,266 S	9/1997	Mantarakis et al.	
D384,568 S *	10/1997	Mantarakis et al. D8/301
D397,604 S *	9/1998	Libby et al. D8/301
D417,831 S *	12/1999	Libby et al. D8/302
D423,321 S	4/2000	Maier	
D427,878 S	7/2000	Frey	
D431,994 S	10/2000	Libby et al.	

D433,916 S	11/2000	Frey
D448,647 S	10/2001	Goldsbury
D452,130 S	12/2001	Richardson
D467,784 S	12/2002	Maier
D467,785 S	12/2002	Tsai
6,502,435 B2	1/2003	Watts et al.
D470,389 S	2/2003	Richardson
6,641,186 B2	11/2003	Tsai
2003/0141725 A1	7/2003	Tsai

* cited by examiner

Primary Examiner—Paula A. Greene

(74) *Attorney, Agent, or Firm*—Womble Carlyle Sandridge & Rice, PLLC

(57) **CLAIM**

The ornamental design for a gliding door handle assembly, as shown and described.

DESCRIPTION

FIG. 1 is a perspective view of a door handle assembly.

FIG. 2 is a front view thereof.

FIG. 3 is a rear view thereof.

FIG. 4 is a left side view thereof.

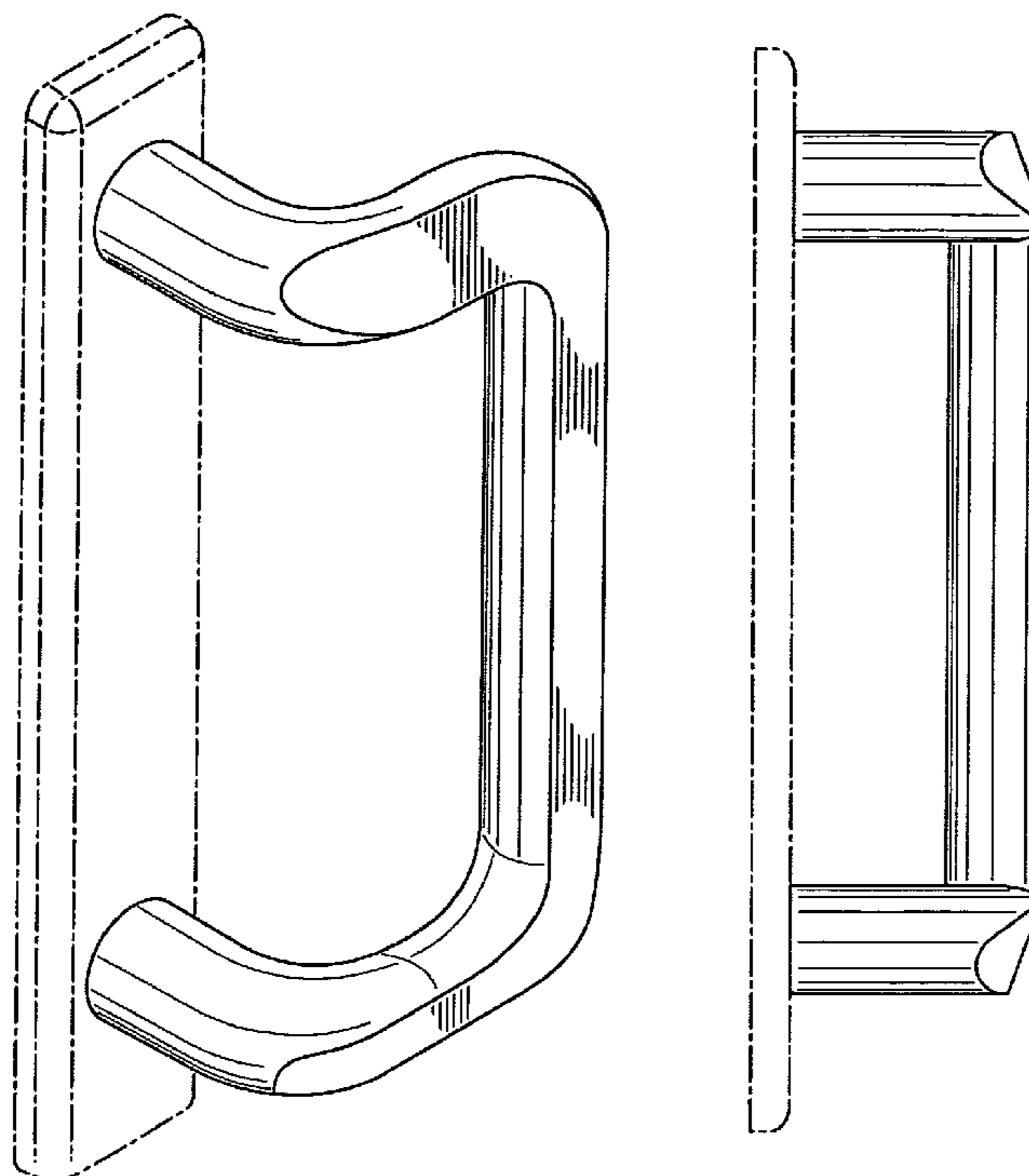
FIG. 5 is a right side view thereof.

FIG. 6 is a top view thereof; and,

FIG. 7 is a bottom view thereof.

The broken lines are included for the purpose of illustration and form no part of the claimed design.

1 Claim, 3 Drawing Sheets



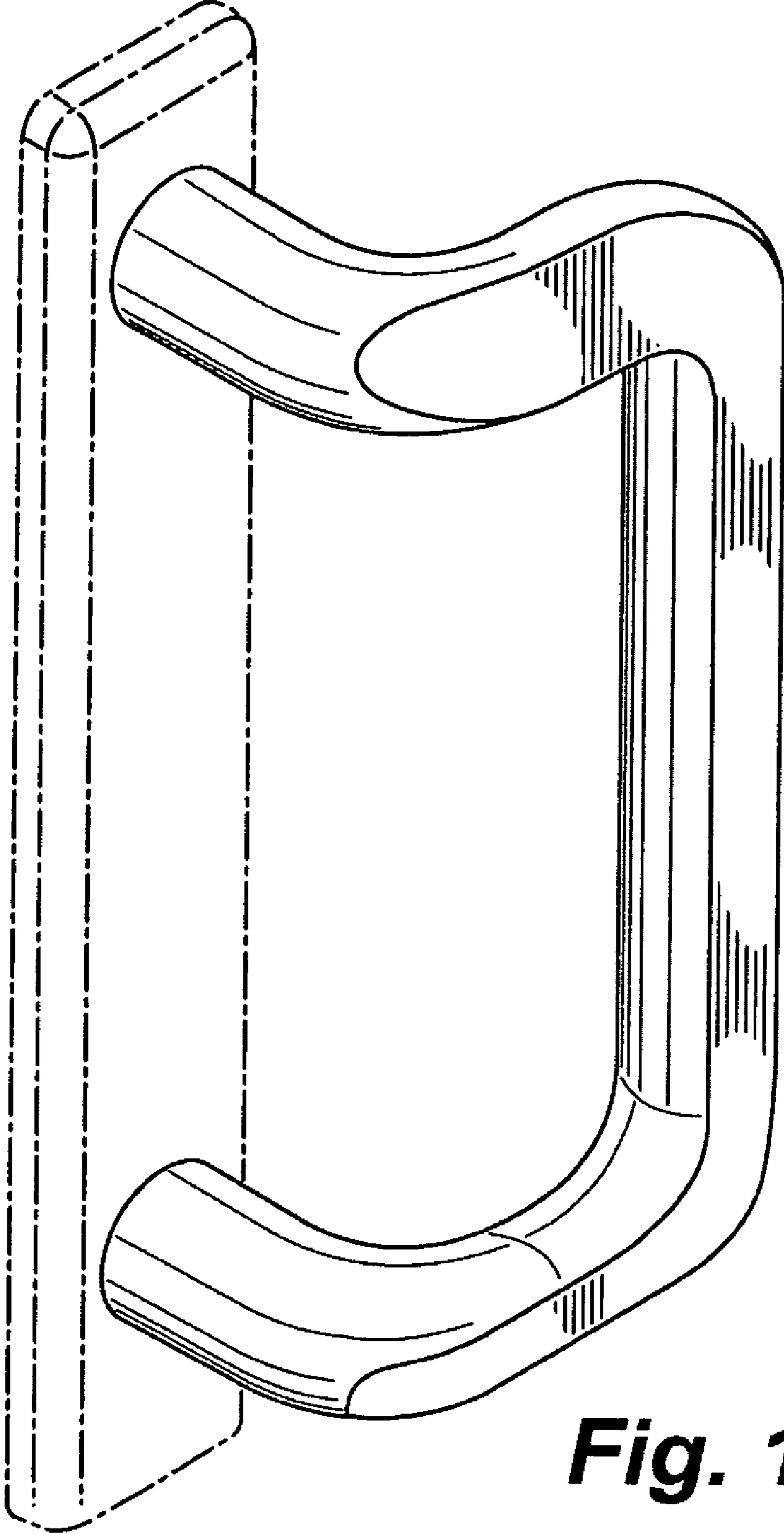


Fig. 1

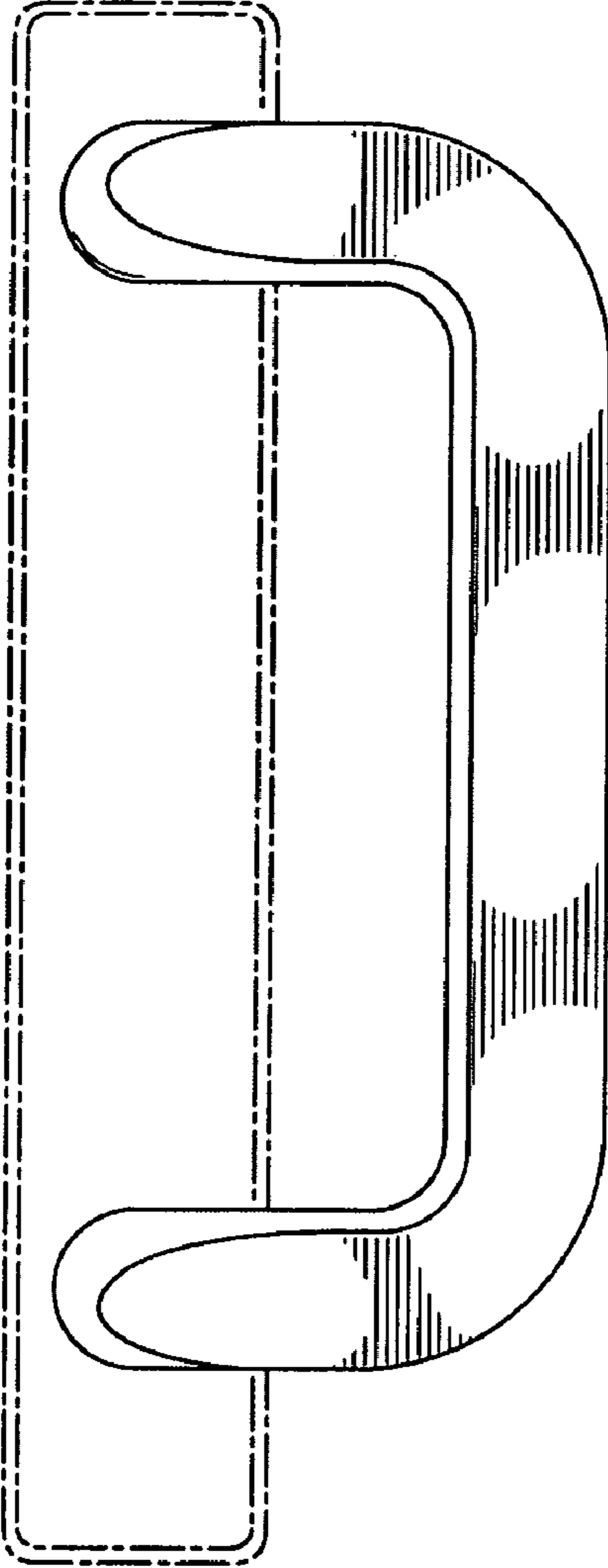


Fig. 2

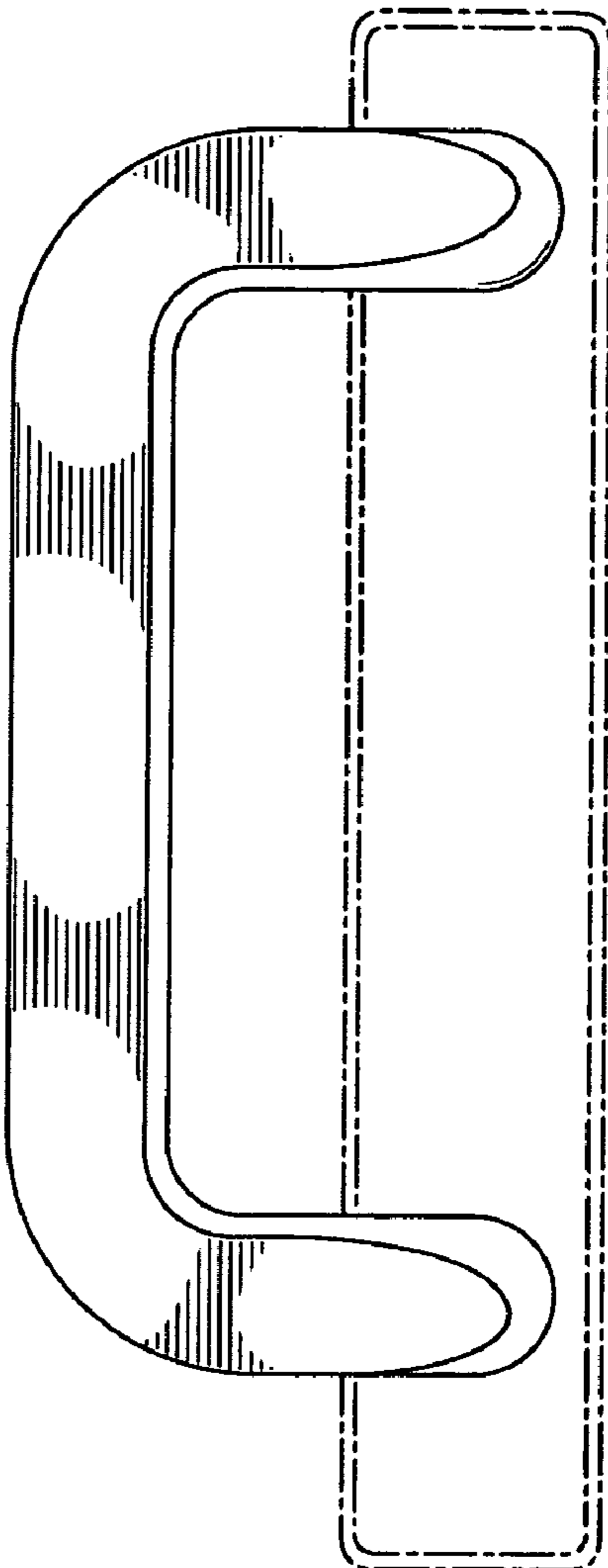


Fig. 3

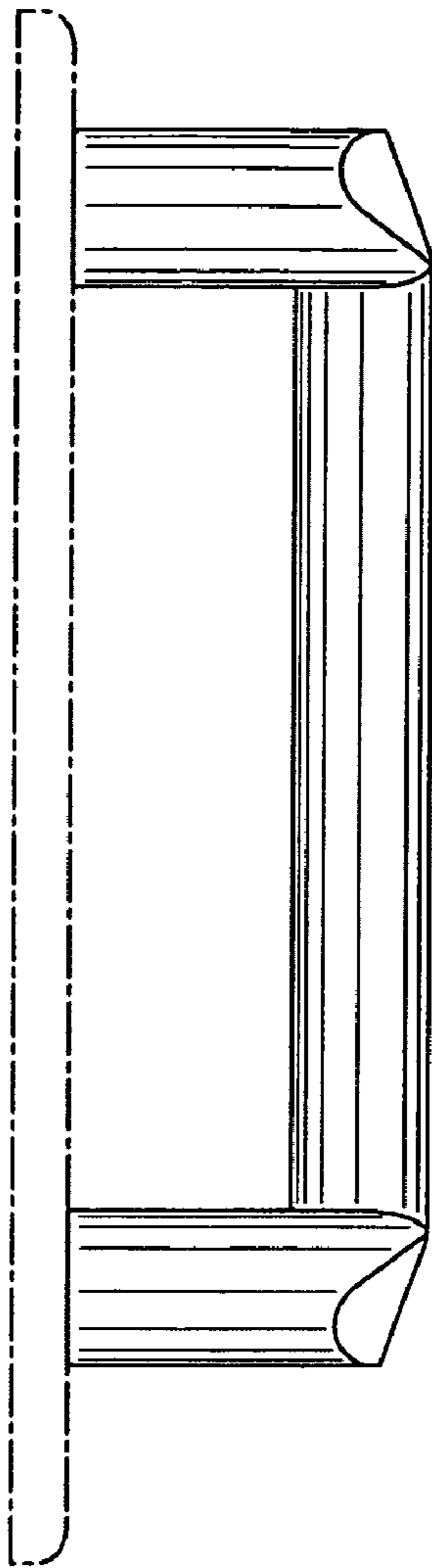


Fig. 4

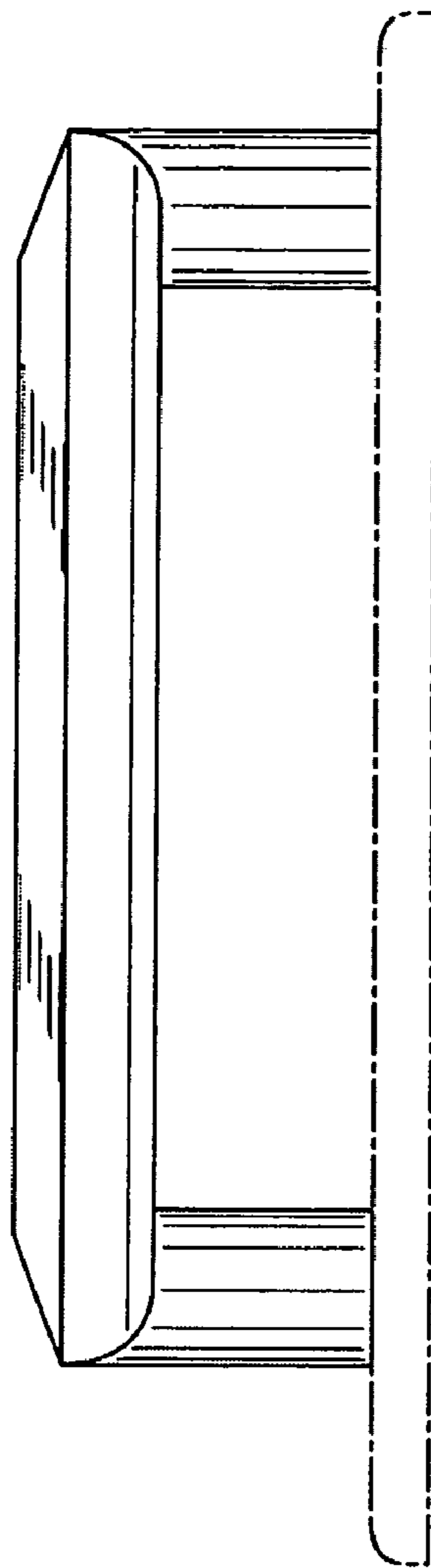


Fig. 5

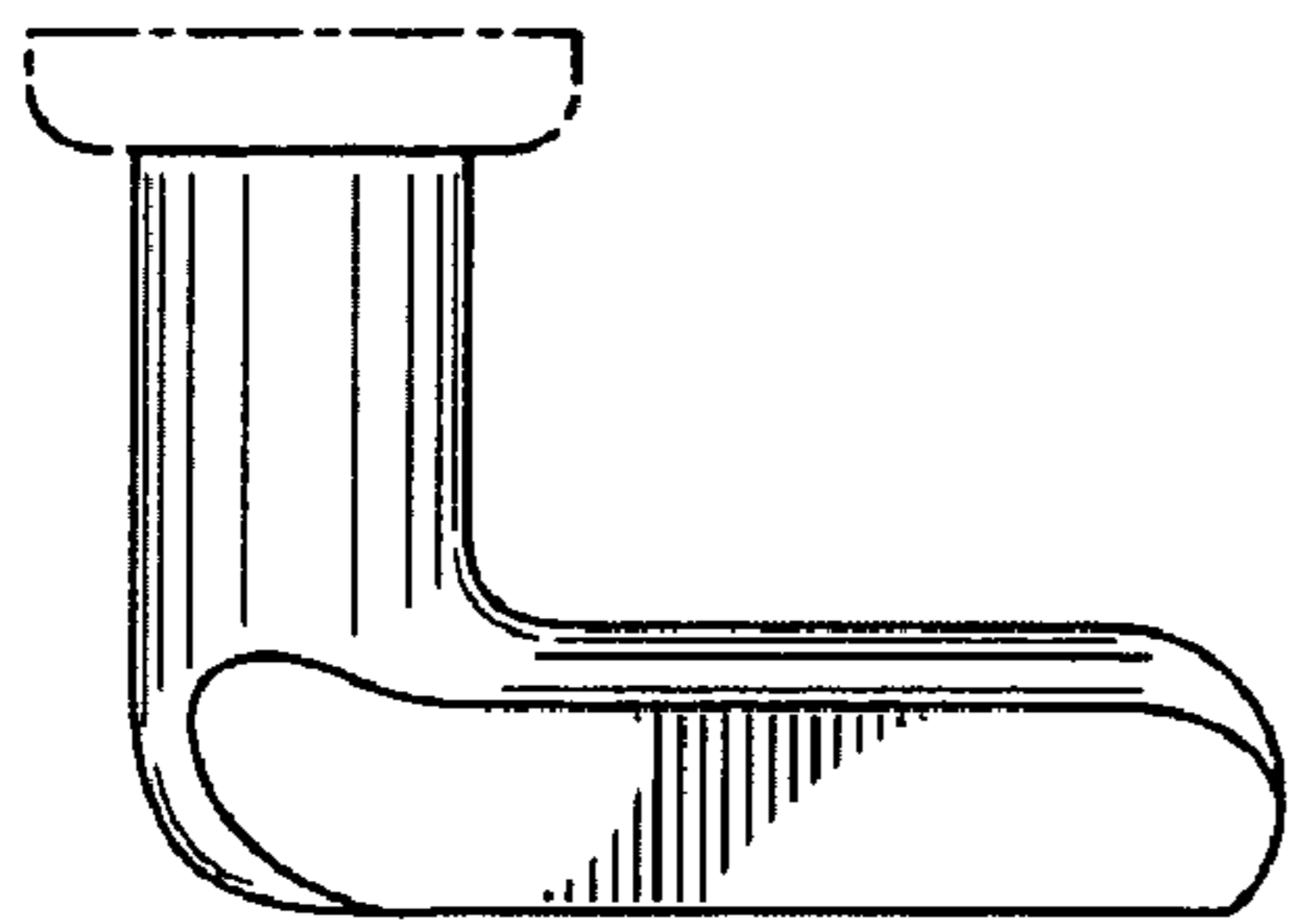


Fig. 6

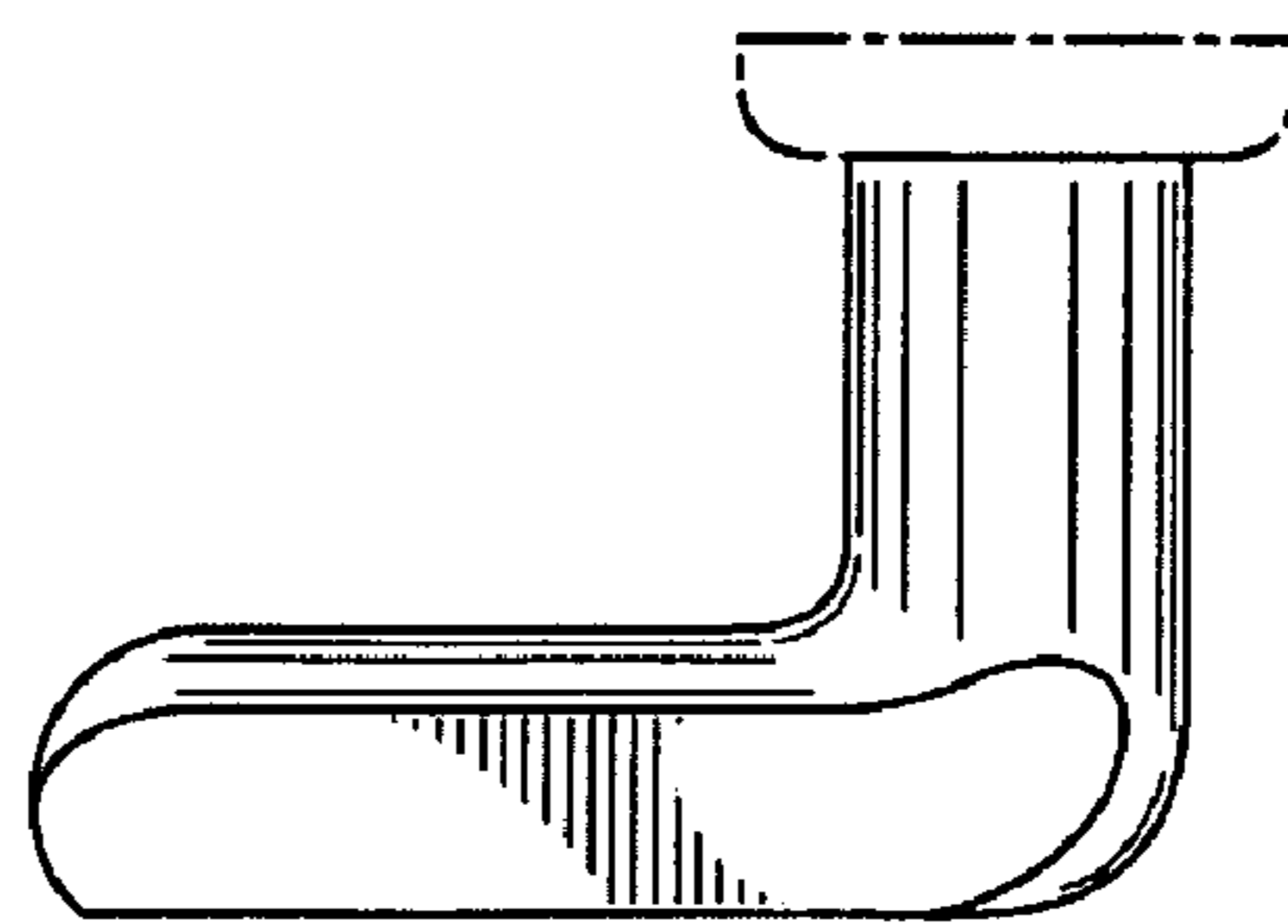


Fig. 7