

US00D546158S

(12) **United States Design Patent**
Ping

(10) **Patent No.:** **US D546,158 S**

(45) **Date of Patent:** **** Jul. 10, 2007**

(54) **FOLDABLE KNIFE HANDLE**

(75) Inventor: **Qiu Jian Ping**, Hangzhou (CN)

(73) Assignee: **Great Neck Saw Manufacturers, Inc.**,
Mineola, NY (US)

(**) Term: **14 Years**

(21) Appl. No.: **29/257,842**

(22) Filed: **Apr. 11, 2006**

Related U.S. Application Data

(62) Division of application No. 29/214,230, filed on Sep. 29, 2004, now Pat. No. Des. 528,894.

(51) **LOC (8) Cl.** **08-03**

(52) **U.S. Cl.** **D8/99**

(58) **Field of Classification Search** D8/99,
D8/98, 107, 105; 30/154, 155, 156, 157,
30/159, 158, 161, 162, 330

See application file for complete search history.

(56) **References Cited**

U.S. PATENT DOCUMENTS

97,154 A	11/1869	Barnard
493,075 A	3/1893	Evertz
515,045 A	2/1894	Bultzingslowen
584,077 A	6/1897	Jackson
596,096 A	12/1897	Watts
988,068 A	3/1911	Beardsley
1,362,142 A	12/1920	Rohrer
1,444,324 A	2/1923	Brooks
1,706,251 A	3/1929	Perry
1,750,577 A	3/1930	De Bracht
2,134,973 A	11/1938	Harwell
2,265,775 A	12/1941	McNamara
2,284,128 A	5/1942	Bush
2,523,575 A	9/1950	Kassel

2,914,850 A	12/1959	Kuhnl
2,980,996 A	4/1961	Beran
3,306,297 A	2/1967	Woorhees
3,568,315 A	3/1971	Smith
3,593,417 A	7/1971	West
3,872,591 A	3/1975	Quenot
4,017,969 A	4/1977	Stnebraker

(Continued)

FOREIGN PATENT DOCUMENTS

CN 02-2-88379.7 12/2002

(Continued)

Primary Examiner—Philip S. Hyder

(74) *Attorney, Agent, or Firm*—Joesph J. Previto

(57) **CLAIM**

The ornamental design for a foldable knife handle, as shown and described.

DESCRIPTION

FIG. 1 is a perspective view of my new design.

FIG. 2 is a top view thereof.

FIG. 3 is a side view thereof.

FIG. 4 is a front view thereof.

FIG. 5 is a rear view thereof.

FIG. 6 is a bottom view thereof.

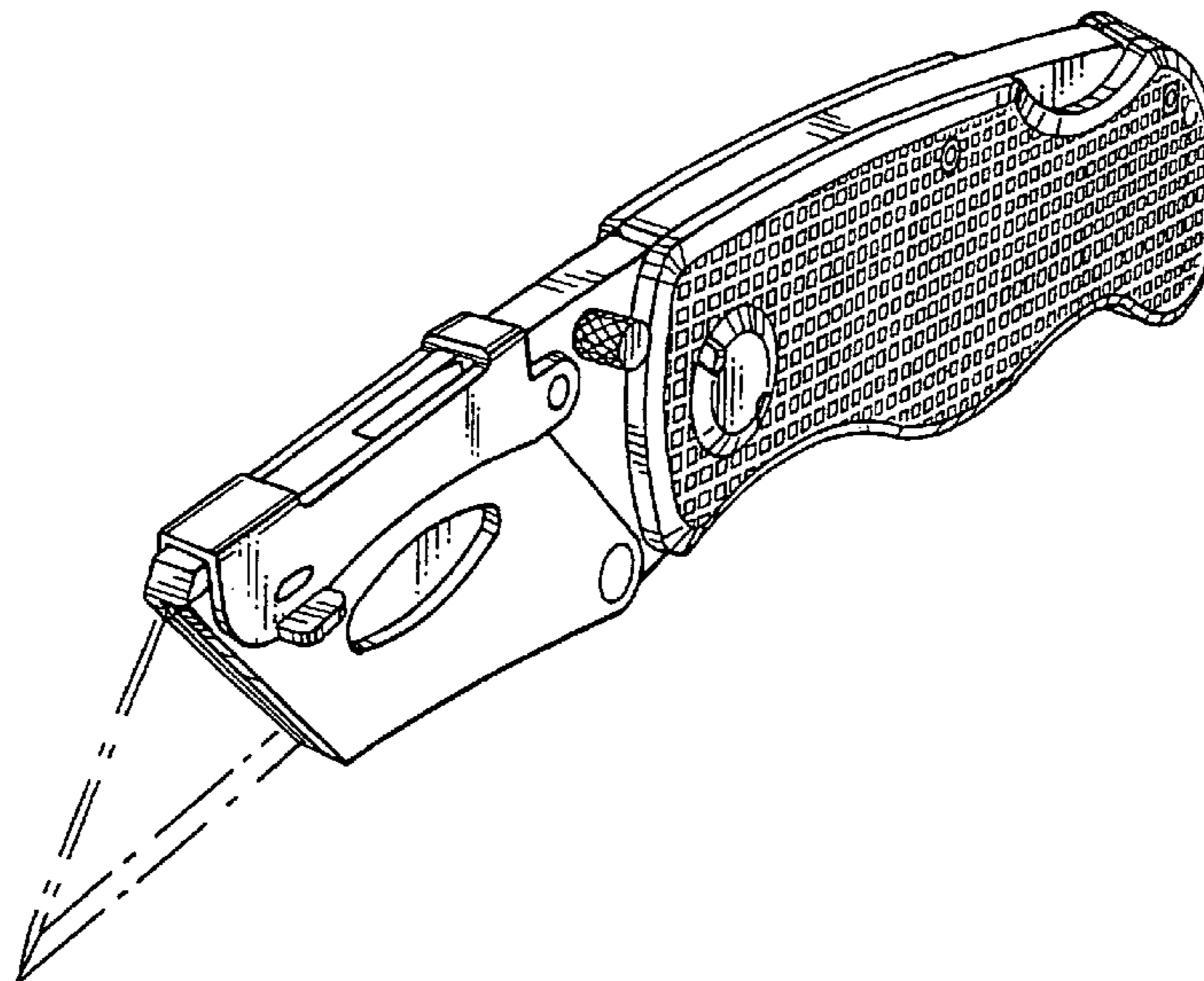
FIG. 7 is another side view thereof.

FIG. 8 is a side view showing the knife in a partially folded position; and,

FIG. 9 is a side view showing the handle in a fully folded position.

The broken line showings of the blade are for illustrative purposes only and form no part of the claimed design.

1 Claim, 4 Drawing Sheets



US D546,158 S

Page 2

U.S. PATENT DOCUMENTS

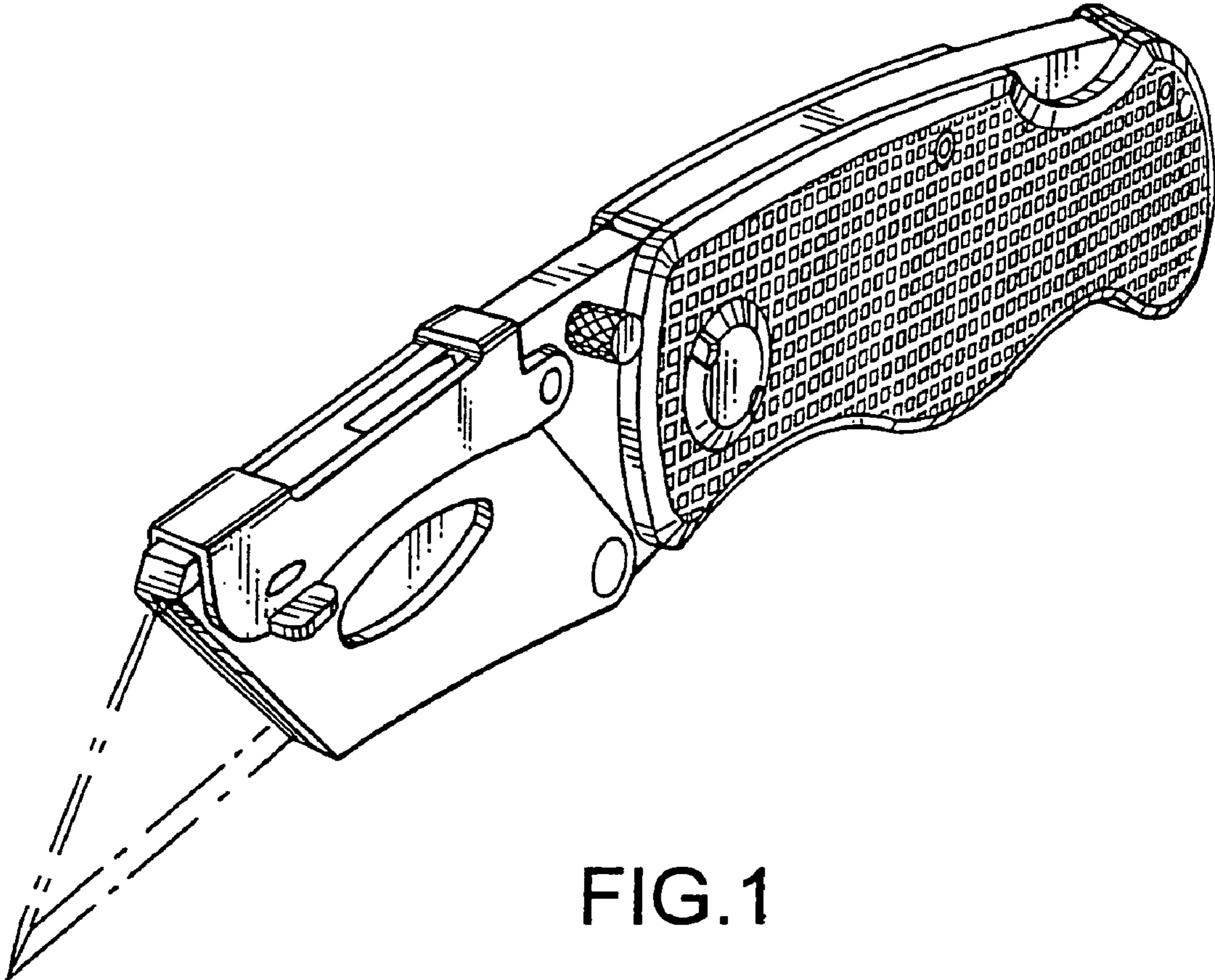
4,040,181	A	8/1977	Johnson	
4,261,104	A	4/1981	Cuscovitch	
4,347,665	A	9/1982	Glesser	
4,442,600	A	4/1984	Felix-Salichow	
4,570,341	A	2/1986	Konneker	
4,604,805	A	8/1986	Krieger	
4,665,615	A	5/1987	Martinez	
4,669,188	A	6/1987	Evrell	
4,719,700	A	1/1988	Taylor, Jr.	
4,805,303	A	2/1989	Gibbs	
4,811,486	A	3/1989	Cunningham	
4,920,644	A	5/1990	La Gattuta	
4,936,014	A	6/1990	Shaanan et al.	
5,044,079	A	9/1991	Gibbs	
5,060,379	A *	10/1991	Neely	30/161
5,095,624	A	3/1992	Ennis	
5,125,157	A	6/1992	Howard	
5,400,509	A	3/1995	Collins	
5,511,310	A	4/1996	Sessions	
D385,173	S *	10/1997	McWillis	D8/99
5,769,094	A	6/1998	Jenkins, Jr.	
5,815,927	A	10/1998	Collins	
5,826,340	A	10/1998	Hull	
D412,275	S *	7/1999	Collins	D8/99
5,966,816	A	10/1999	Roberson	
5,979,059	A	11/1999	Leatherman	
5,983,506	A *	11/1999	Glesser	30/340
D436,014	S *	1/2001	Glesser	D8/99
6,170,104	B1	1/2001	Seber	

6,170,158	B1	1/2001	Daily	
6,256,887	B1	7/2001	Osborne	
6,256,888	B1	7/2001	Shuen	
6,263,581	B1	7/2001	Forte	
6,354,007	B1	3/2002	Scarla	
6,370,778	B1	4/2002	Conable	
6,446,341	B1	9/2002	Wang	
6,487,740	B2	12/2002	Seber	
D474,669	S	5/2003	Onion	
6,574,868	B1	6/2003	Overholt	
6,688,003	B2	2/2004	Scarla	
D494,437	S *	8/2004	Scarla	D8/99
D495,939	S	9/2004	Ping	
D501,782	S	2/2005	Ping	
6,915,577	B2	7/2005	Scarla	
D510,250	S	10/2005	Ping	
6,968,622	B2	11/2005	Ping	
D516,403	S	3/2006	Ping	
D517,893	S	3/2006	Ping	
7,007,392	B2	3/2006	Ping	
7,040,022	B2	5/2006	Ping	
2002/0059730	A1	5/2002	Flavigny	
2004/0020057	A1	2/2004	Hughes	
2004/0020058	A1 *	2/2004	Vallotton	30/160
2004/0045171	A1	3/2004	Moizis	
2004/0103541	A1	6/2004	Scarla	

FOREIGN PATENT DOCUMENTS

CN 200420008852.7 3/2004

* cited by examiner



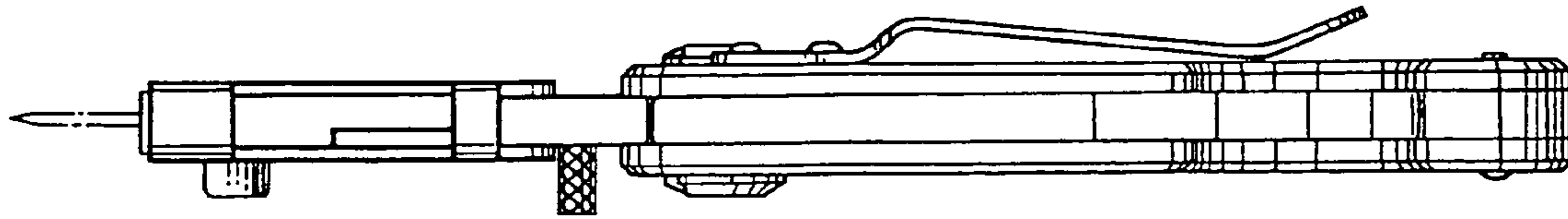


FIG. 2

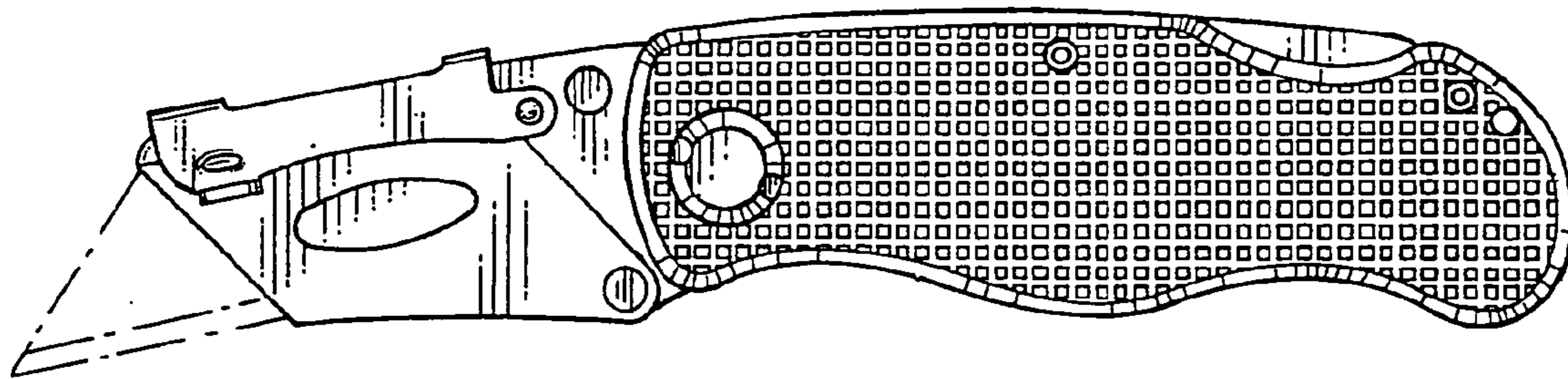


FIG. 3

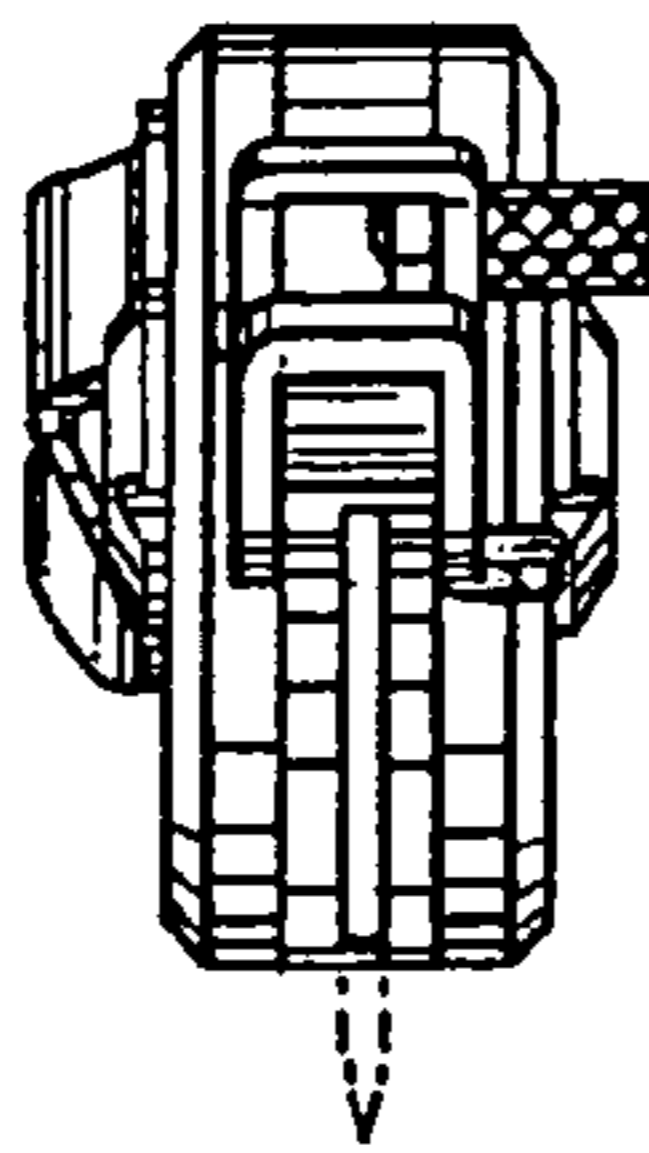


FIG. 4

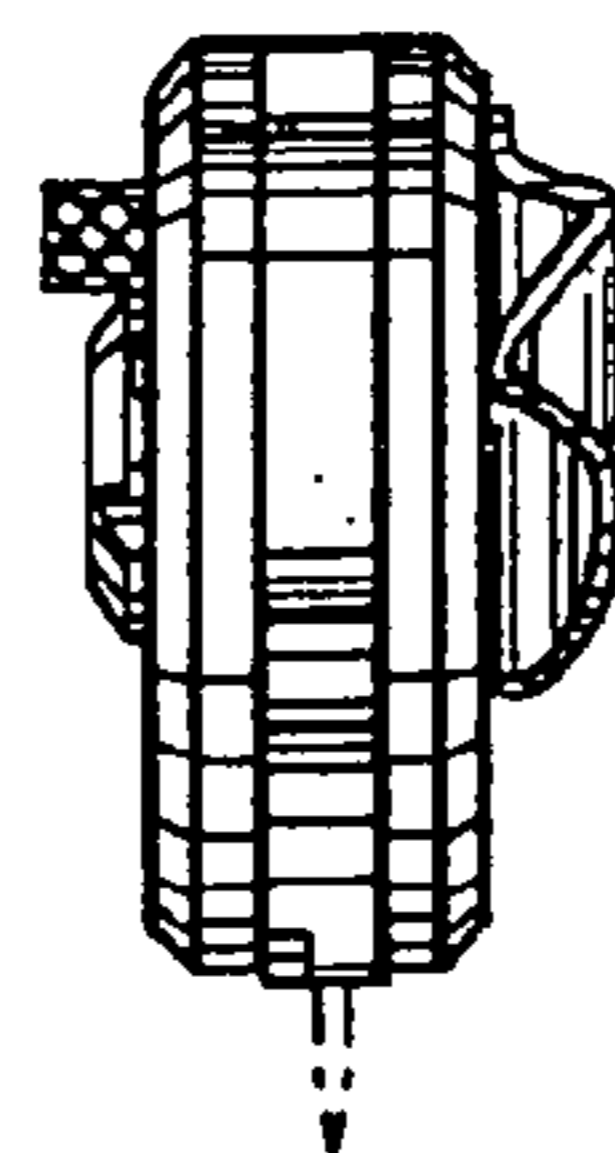


FIG. 5

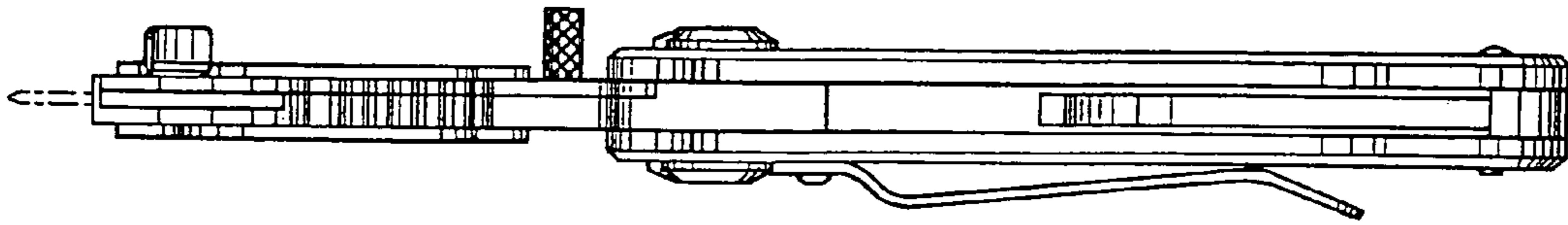


FIG. 6

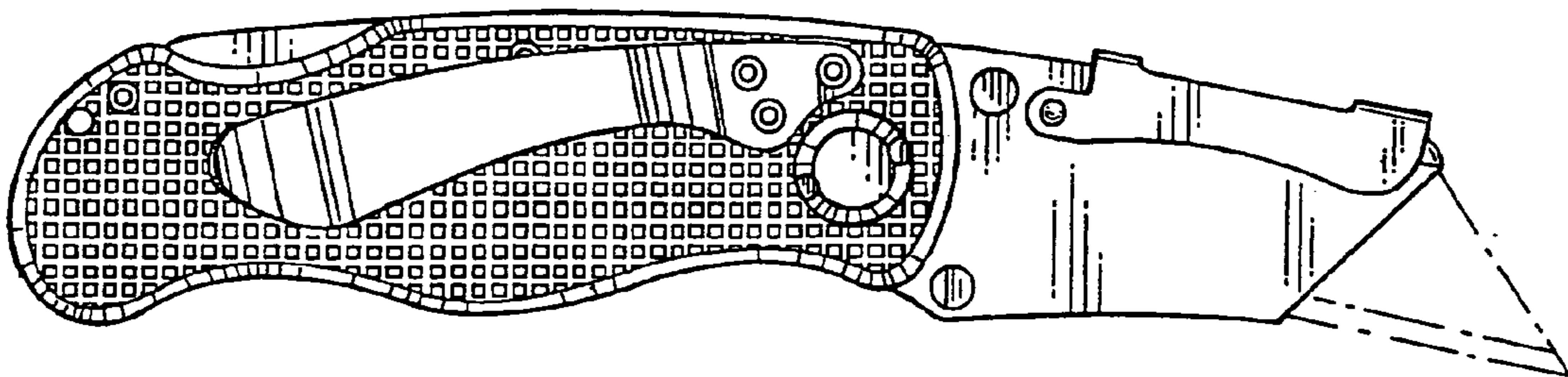


FIG. 7

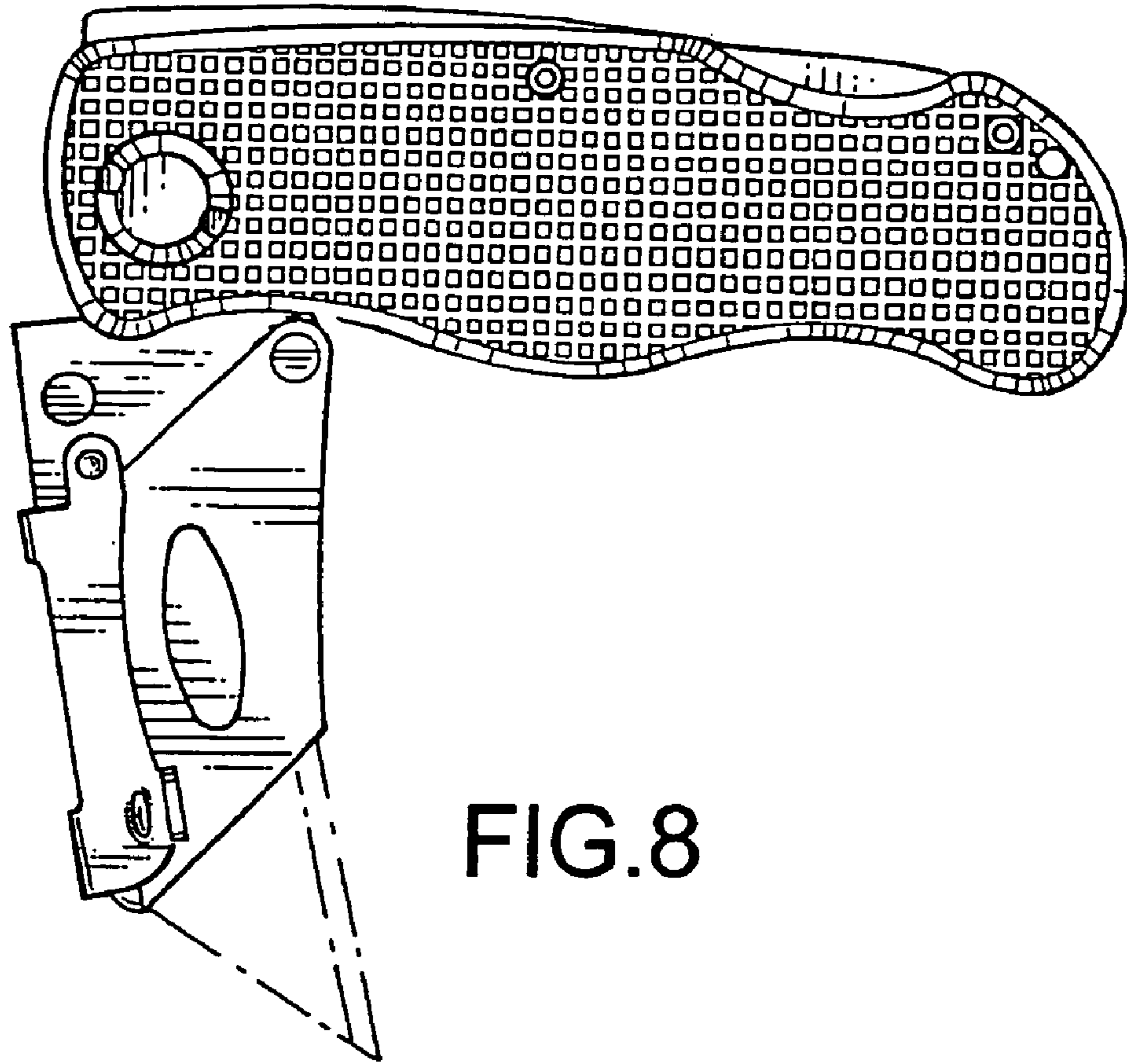


FIG. 8

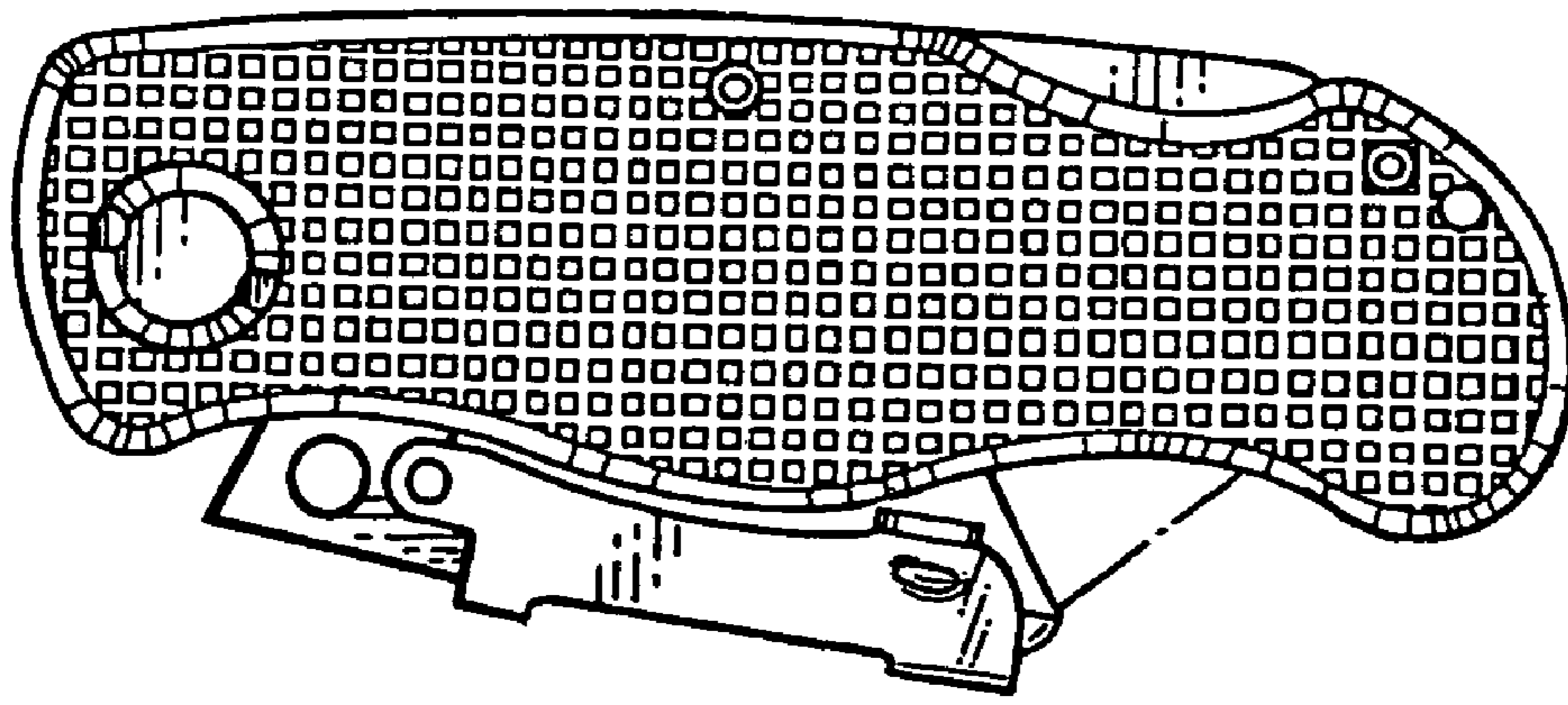


FIG. 9