



US00D546155S

(12) **United States Design Patent**  
**Wu et al.**

(10) **Patent No.:** **US D546,155 S**

(45) **Date of Patent:** **\*\* \*Jul. 10, 2007**

(54) **AUTOMOTIVE VEHICLE POLISHER**

(76) Inventors: **Xingyu Wu**, 214-57 Bayswater Ave.,  
Ottawa, Ontario (CA), K1Y 2E8;  
**Xingqiang Wu**, 1717 Via Cortina, San  
Jose, CA (US) 95120; **Honghui Guo**,  
No. 2, Building 74, Mei Song Rd., Ba  
Yi Community, Feng Cheng Mining  
Administration, Feng Cheng, Jiang Xi,  
Province, 331142 (CN)

(\*) Notice: This patent is subject to a terminal dis-  
claimer.

(\*\*) Term: **14 Years**

(21) Appl. No.: **29/229,471**

(22) Filed: **May 6, 2005**

(51) **LOC (8) Cl.** ..... **08-05**

(52) **U.S. Cl.** ..... **D8/69; D8/67**

(58) **Field of Classification Search** ..... D8/14.1,  
D8/61, 62, 63, 64, 65, 66, 67, 68, 69, 70;  
81/57.11, 429, 464, 465, 466, 469, 489; 173/13,  
173/169, 178, 213, 217, 114, 201, 211, 168,  
173/170, 171; D32/15, 19; 408/20, 124, 125,  
408/234, 241 R; 15/97.3; 310/50; 227/8,  
227/14, 120, 130, 136, 142; 451/344, 356,  
451/357, 358, 359

See application file for complete search history.

(56) **References Cited**

**U.S. PATENT DOCUMENTS**

3,826,045 A \* 7/1974 Champayne ..... 451/359

D262,185 S \* 12/1981 Huber et al. .... D8/67  
4,404,706 A \* 9/1983 Loyd ..... 173/213  
4,513,827 A \* 4/1985 Dubiel ..... 173/178  
D336,229 S \* 6/1993 Bunyea ..... D8/69  
D342,385 S \* 12/1993 Winchester ..... D8/68  
D379,749 S \* 6/1997 Gildersleeve et al. .... D8/62  
5,690,545 A \* 11/1997 Clowers et al. .... 451/359  
D392,778 S \* 3/1998 McCracken ..... D32/19  
6,070,676 A \* 6/2000 Nelson et al. .... 173/170  
D441,629 S \* 5/2001 Price ..... D8/68  
D443,397 S \* 6/2001 Williams ..... D32/19  
6,248,007 B1 \* 6/2001 deBlois et al. .... 451/344  
6,520,846 B1 \* 2/2003 Forbes et al. .... 451/359  
D488,595 S \* 4/2004 Sun ..... D32/15

\* cited by examiner

*Primary Examiner*—Gary D. Watson

*Assistant Examiner*—T. Chase Nelson

(74) *Attorney, Agent, or Firm*—Ernest H. McCoy; Bruce &  
McCoy

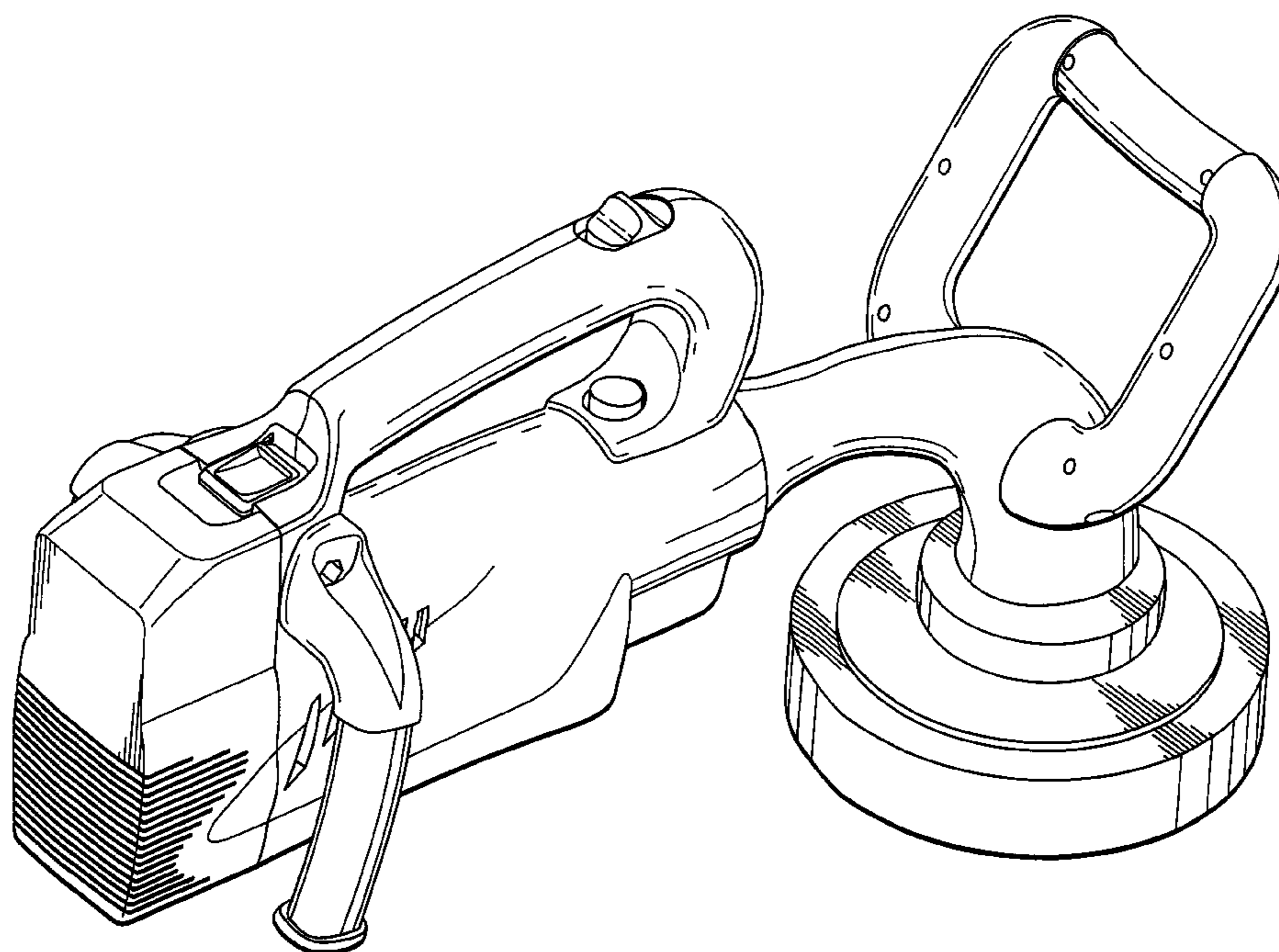
(57) **CLAIM**

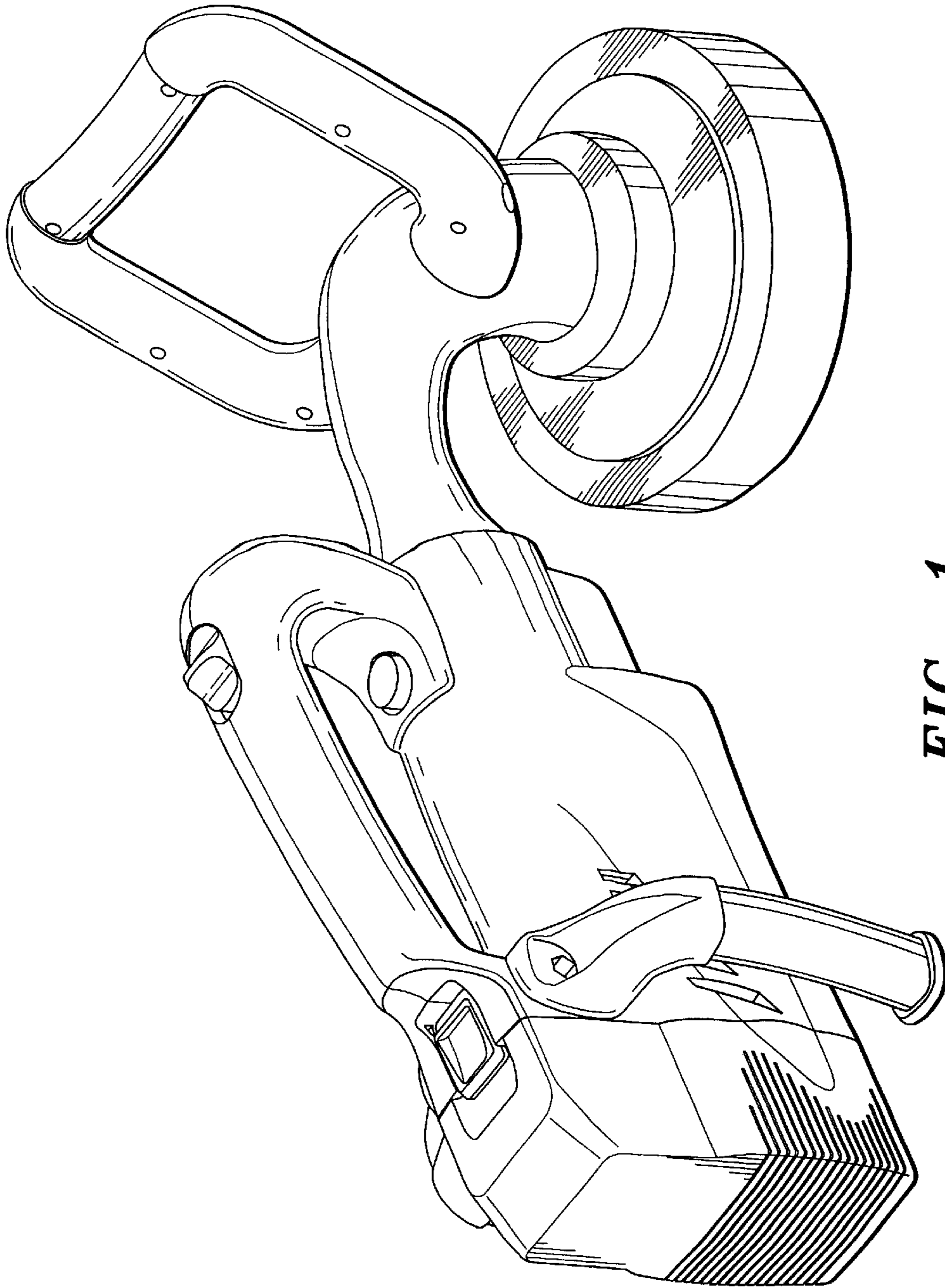
The ornamental design for an automotive vehicle polisher,  
as shown and described.

**DESCRIPTION**

FIG. 1 is a perspective view showing my new design;  
FIG. 2 is a first side elevation thereof;  
FIG. 3 is a opposite side elevation thereof;  
FIG. 4 is a top plan view thereof;  
FIG. 5 is a bottom plan view thereof;  
FIG. 6 is a front end elevation thereof; and,  
FIG. 7 is a rear elevation view thereof.

**1 Claim, 5 Drawing Sheets**





*FIG.-1*

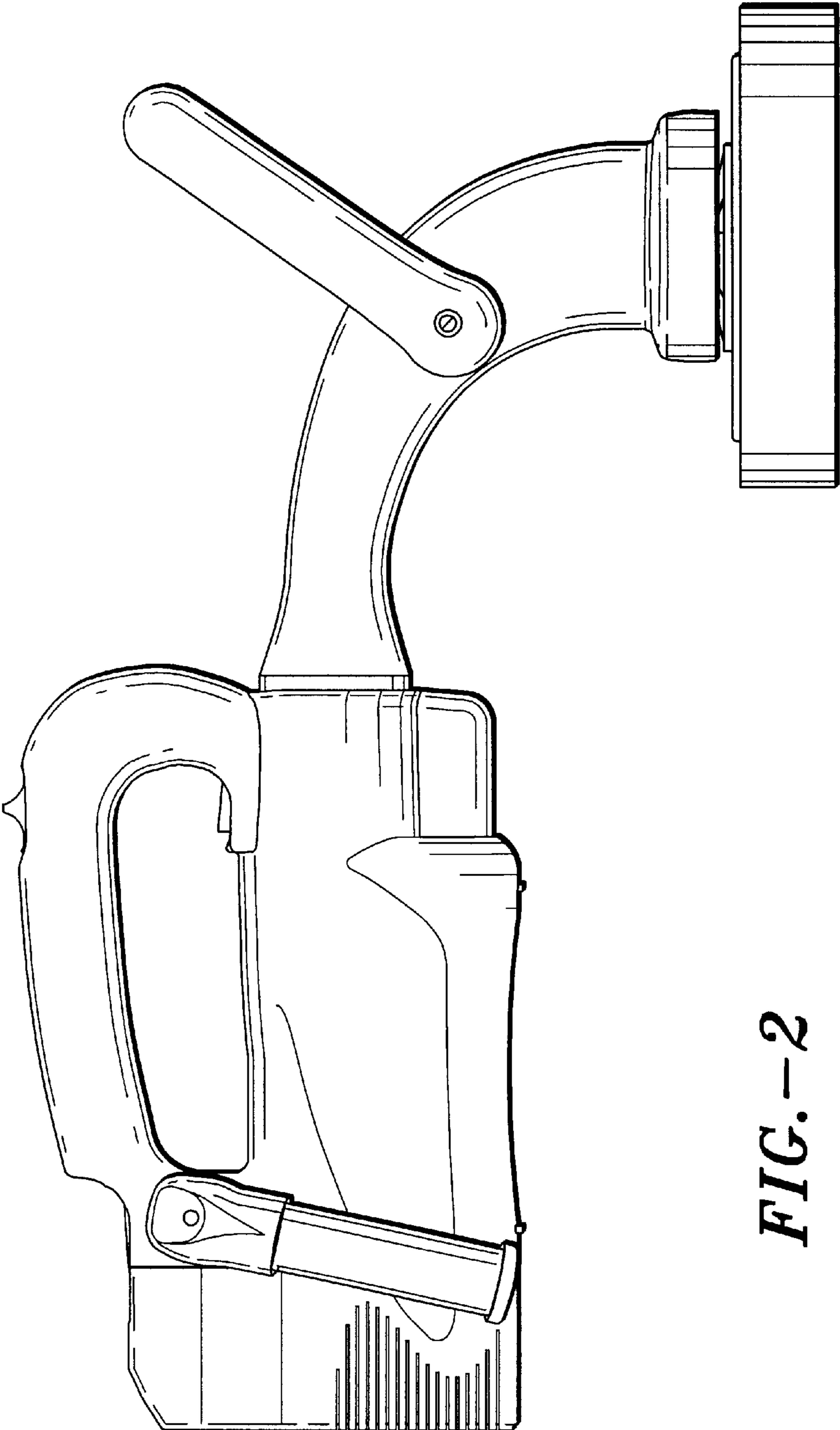
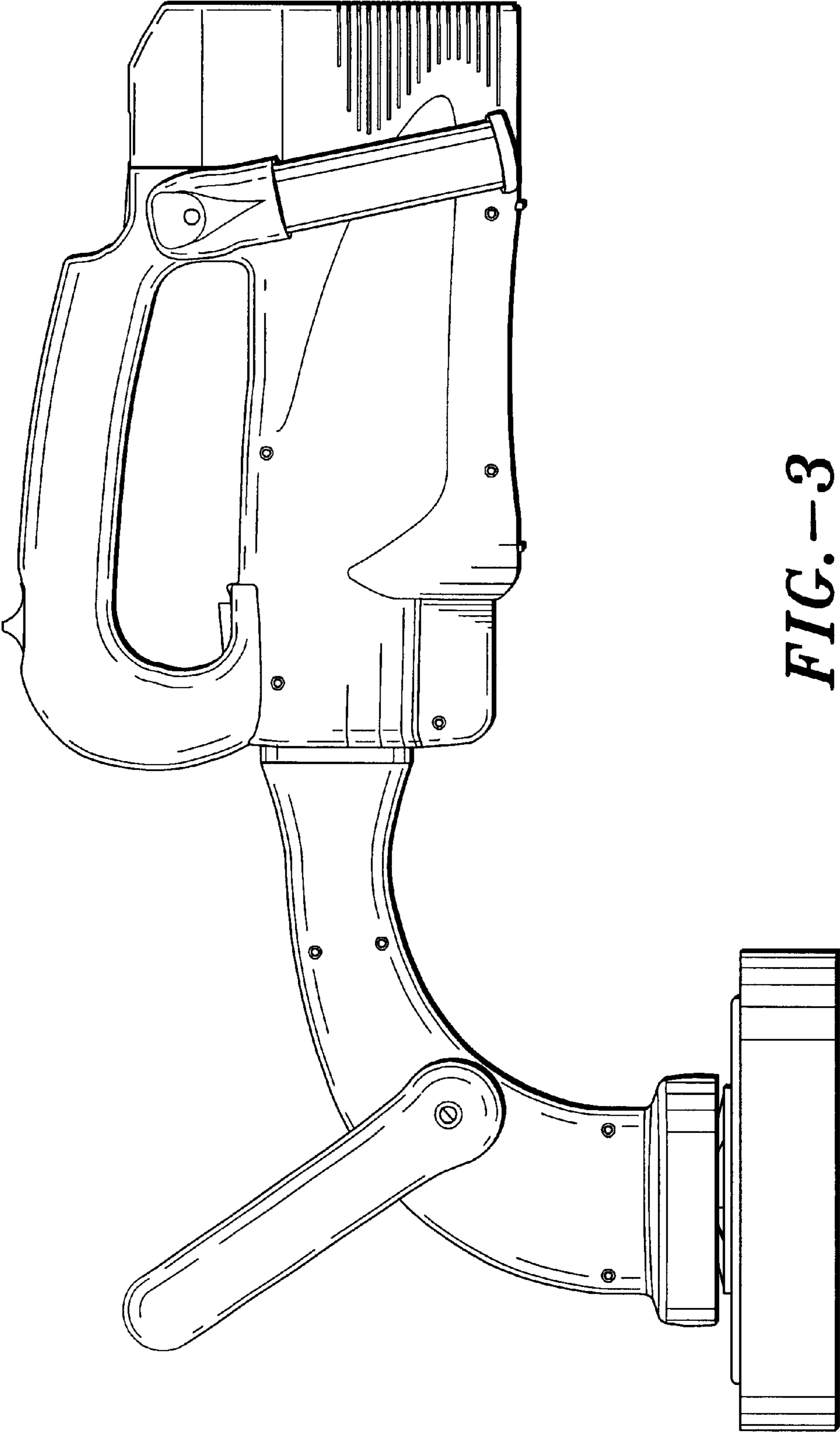
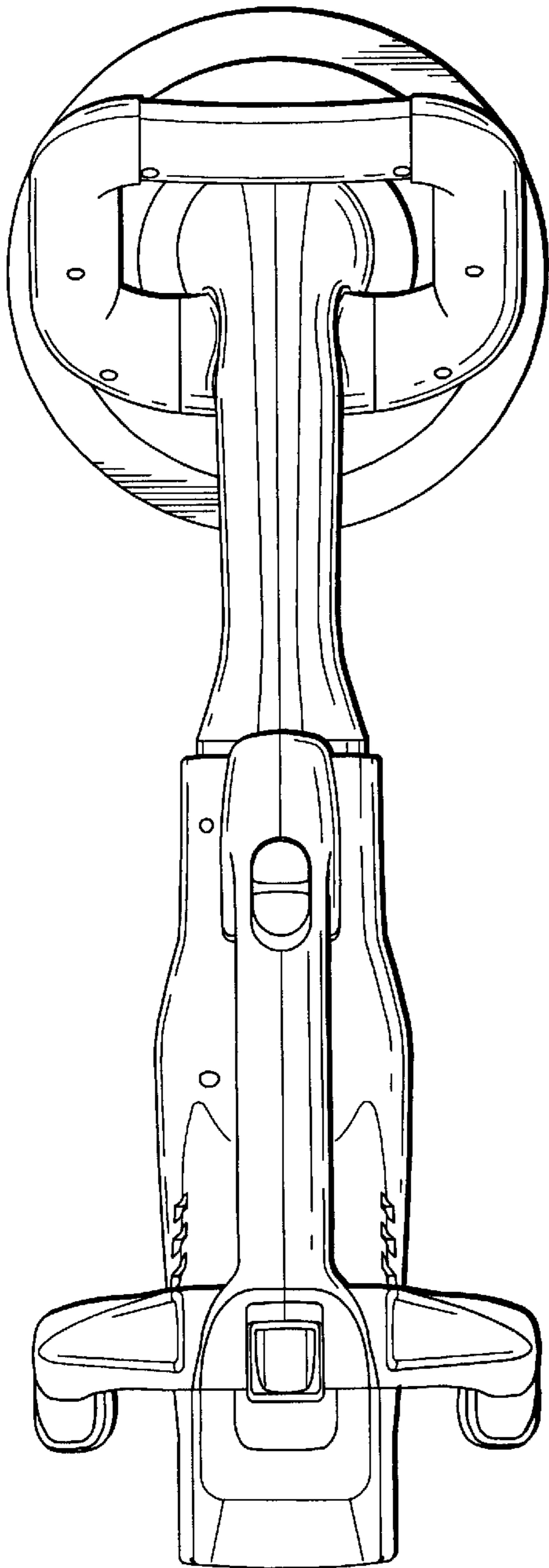


FIG.-2

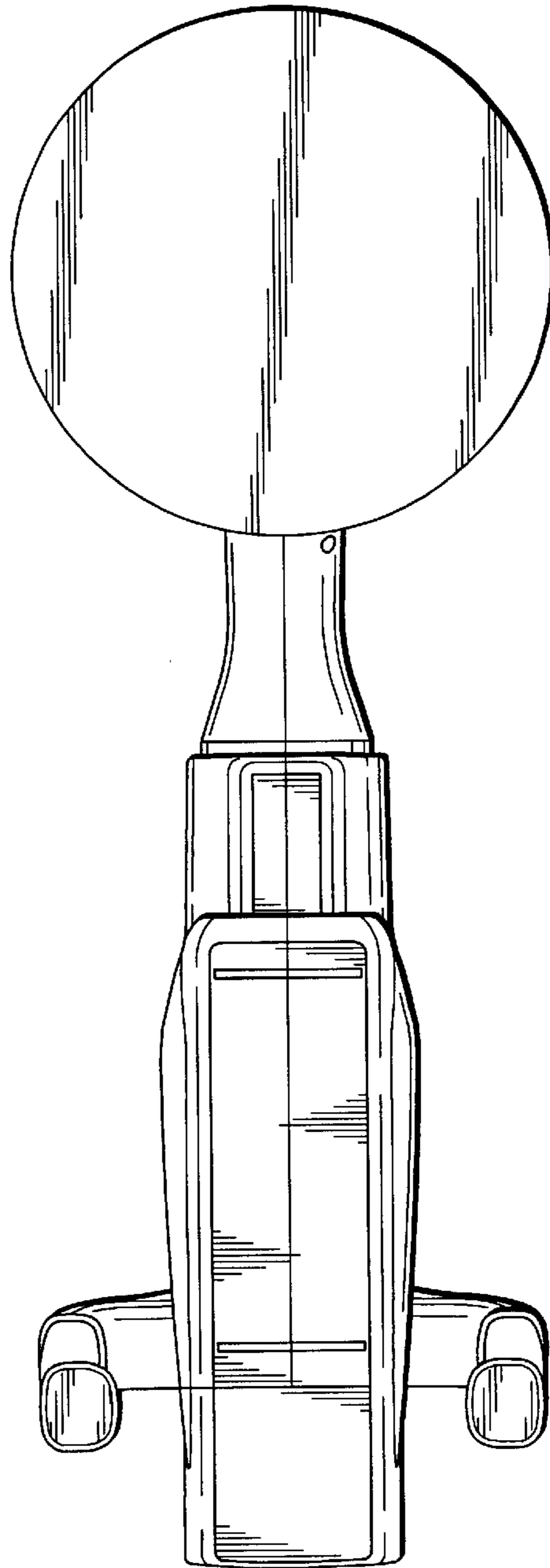


*FIG. -3*

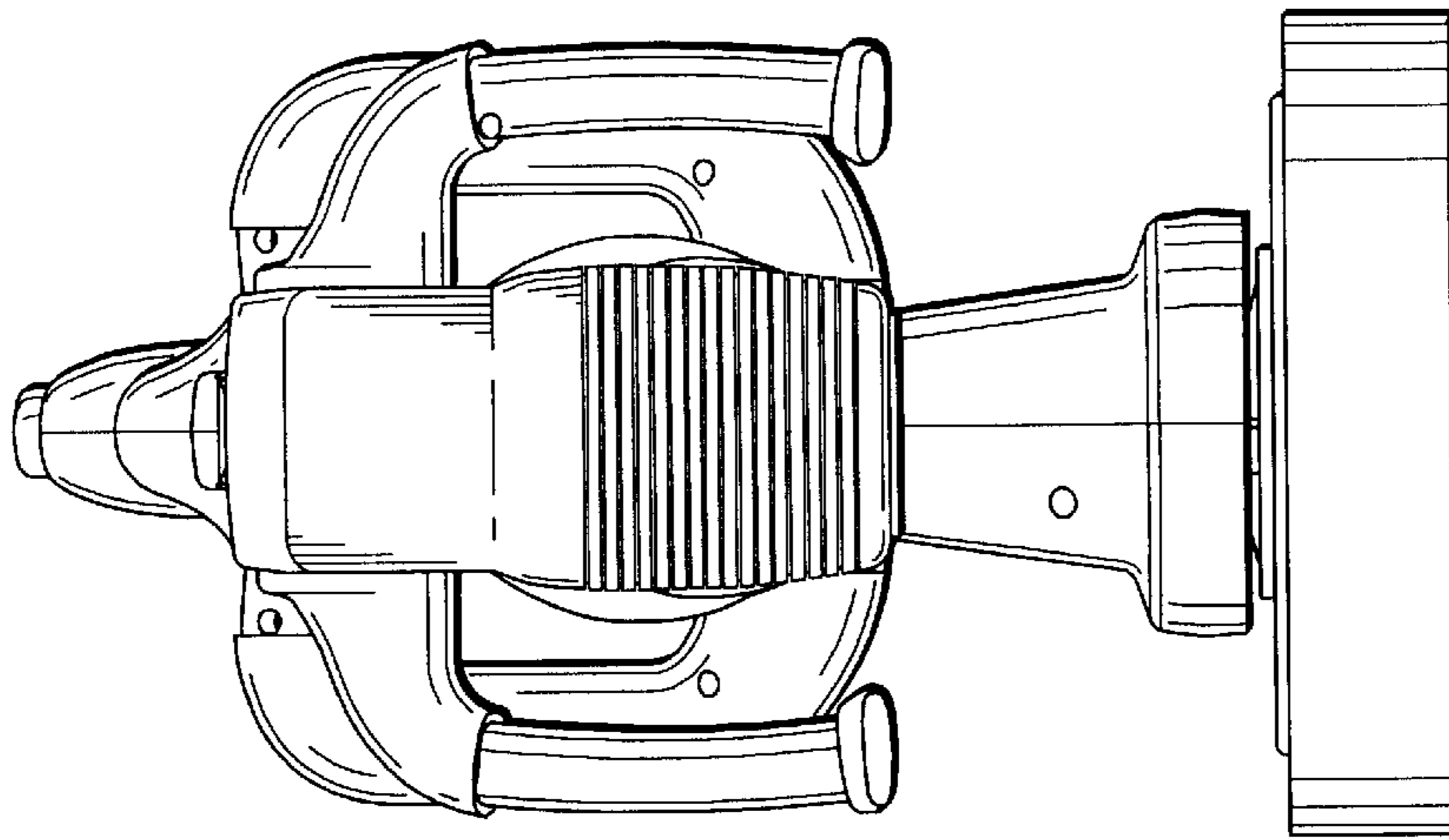




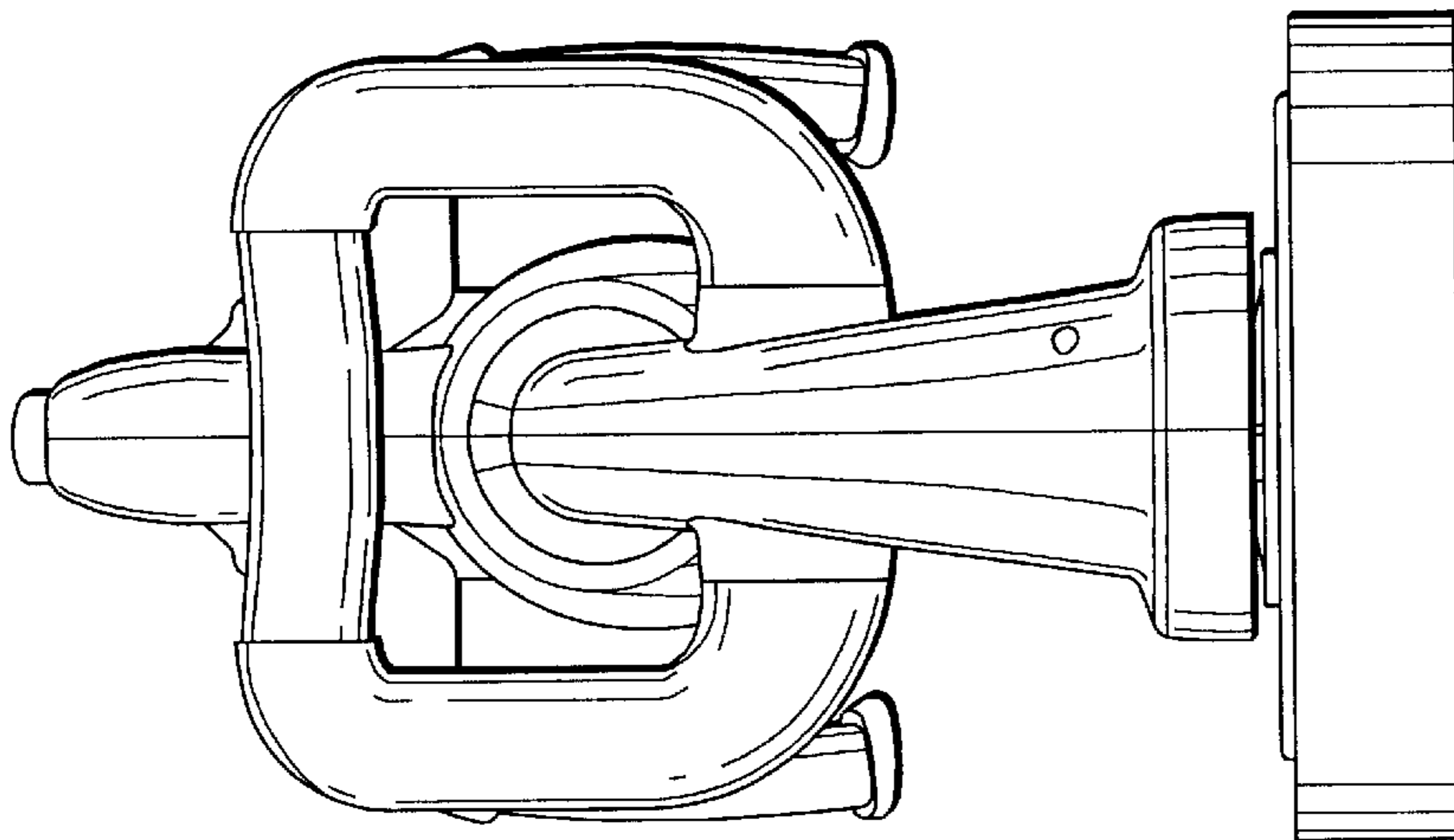
*FIG. -4*



*FIG. -5*



*FIG. -7*



*FIG. -6*