

US00D546154S

(12) **United States Design Patent**
Fong et al.

(10) **Patent No.:** **US D546,154 S**
(45) **Date of Patent:** **** Jul. 10, 2007**

(54) **ELECTRIC DRILL**

(75) Inventors: **Steven Sze Chun Fong**, Aberdeen (HK); **Kim Ming Ng**, Aberdeen (HK)

(73) Assignee: **Choon Nang Electrical Appliance Mfg., Ltd.**, Aberdeen, Hong Kong SAR, P.R. (CN)

(**) Term: **14 Years**

(21) Appl. No.: **29/263,569**

(22) Filed: **Jul. 26, 2006**

(30) **Foreign Application Priority Data**

Feb. 2, 2006 (HK) 0600271.9

(51) **LOC (8) Cl.** **08-01**

(52) **U.S. Cl.** **D8/68**

(58) **Field of Classification Search** D8/14.1, D8/61, 62, 63, 64, 65, 66, 67, 68, 69, 70; 81/57.11, 429, 464, 465, 466, 469, 489; 173/13, 173/104, 114, 168, 169, 170, 171, 178, 201, 173/211, 213, 217; 408/20, 124, 125, 234, 408/241 R; 451/358; 310/50; 227/8, 113, 227/114, 120, 130, 136, 142

See application file for complete search history.

(56) **References Cited**

U.S. PATENT DOCUMENTS

D389,384 S * 1/1998 Lui D8/68
D392,530 S * 3/1998 Lui D8/68
D426,760 S * 6/2000 Schultz D8/68
D428,320 S * 7/2000 Ohi et al. D8/68
D429,134 S * 8/2000 Schultz et al. D8/68
6,308,378 B1 * 10/2001 Mooty et al. 310/50

D467,483 S * 12/2002 Heun D8/68
D482,253 S * 11/2003 Cooper et al. D8/68
D494,034 S * 8/2004 Cheung D8/68
D496,843 S * 10/2004 Sugawara et al. D8/68
D508,837 S * 8/2005 Andriolo D8/68
D514,909 S * 2/2006 Bosch D8/68
D520,836 S * 5/2006 Wu D8/68
D533,421 S * 12/2006 Aglassinger D8/68
2003/0095842 A1 * 5/2003 Bone 408/234

FOREIGN PATENT DOCUMENTS

GB 2098422 S * 12/2000
GB 3001146 S * 1/2002

* cited by examiner

Primary Examiner—T. Chase Nelson

(74) *Attorney, Agent, or Firm*—Alix, Yale & Ristas, LLP

(57) **CLAIM**

The ornamental design for an electric drill, as shown and described.

DESCRIPTION

FIG. 1 is a front end, left side and top perspective view of an electric drill showing my new design;

FIG. 2 is a rear end, left side and top perspective view thereof;

FIG. 3 is a left side elevational view thereof;

FIG. 4 is a right side elevational view thereof;

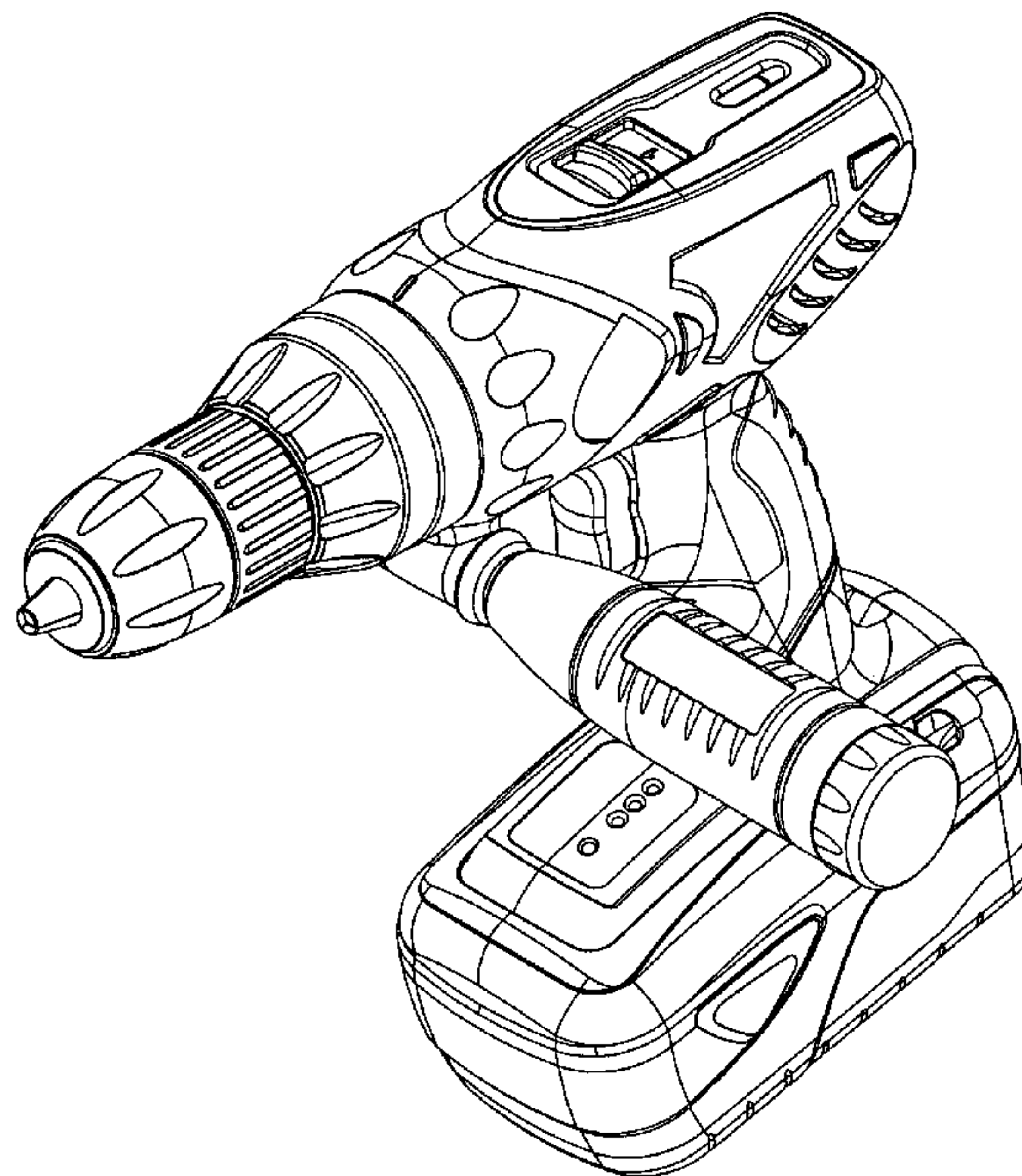
FIG. 5 is a top plan view thereof;

FIG. 6 is a bottom plan view thereof;

FIG. 7 is a front end elevational view thereof; and,

FIG. 8 is a rear end elevational view thereof.

1 Claim, 8 Drawing Sheets



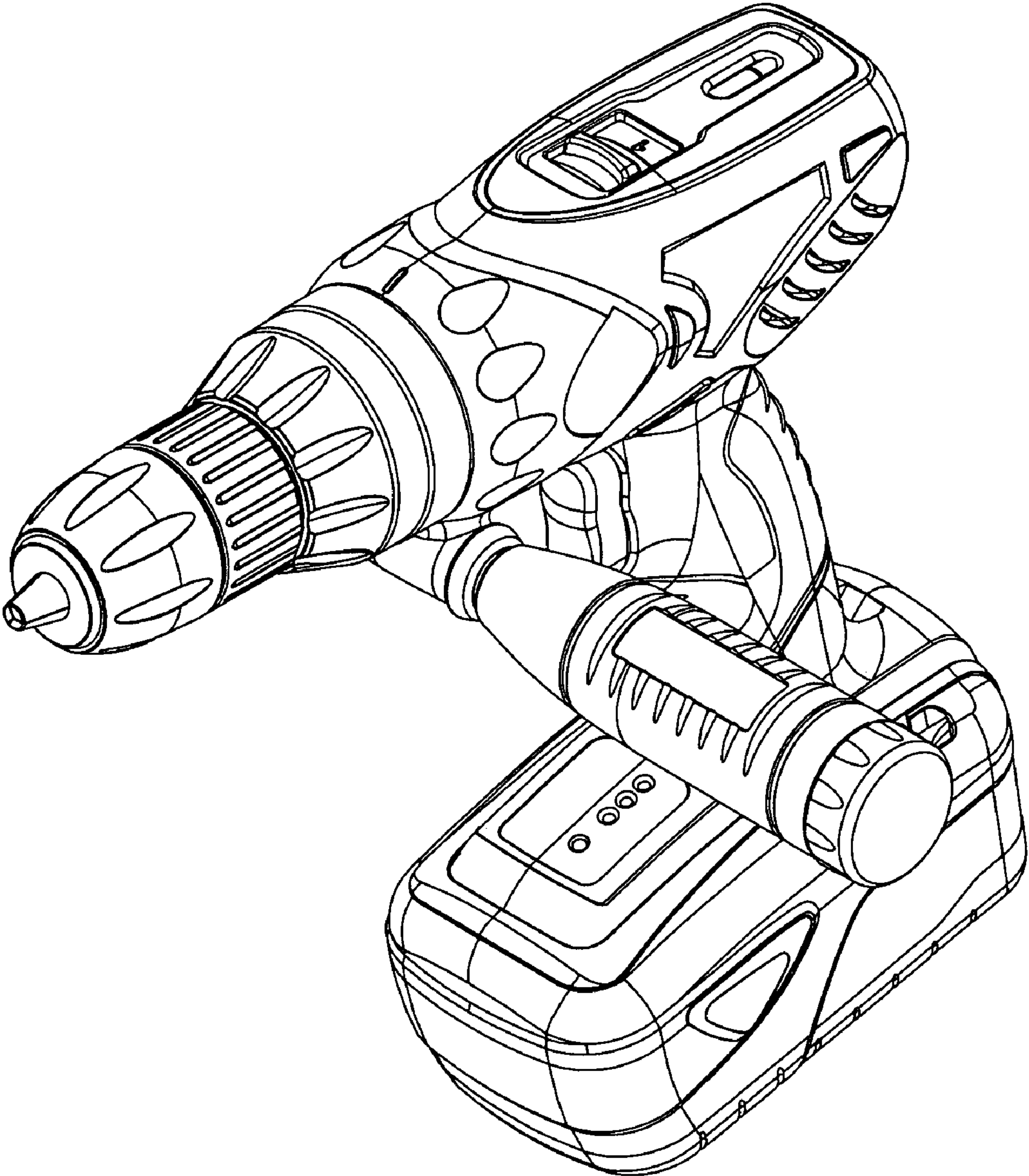


FIG. 1

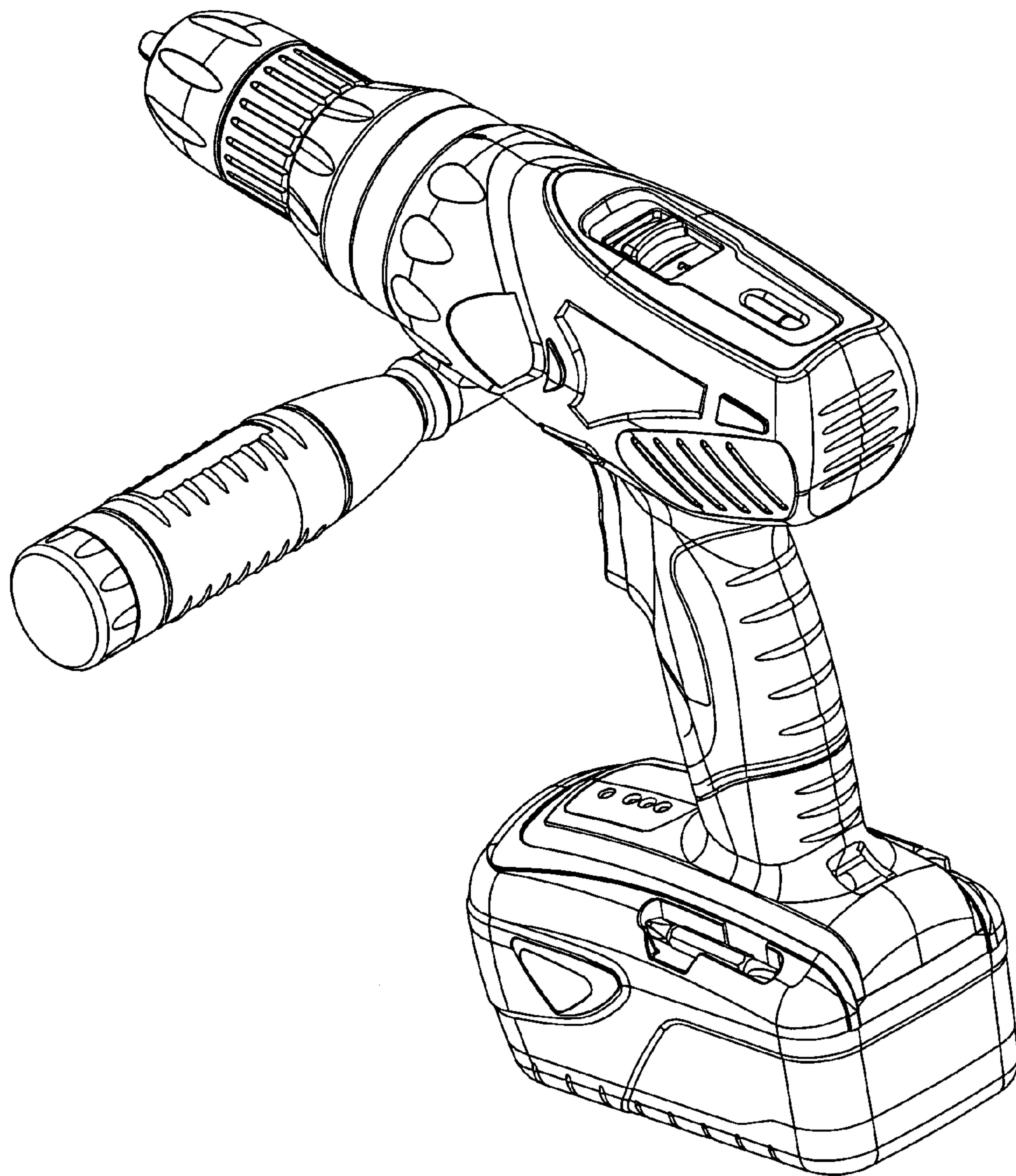


FIG. 2

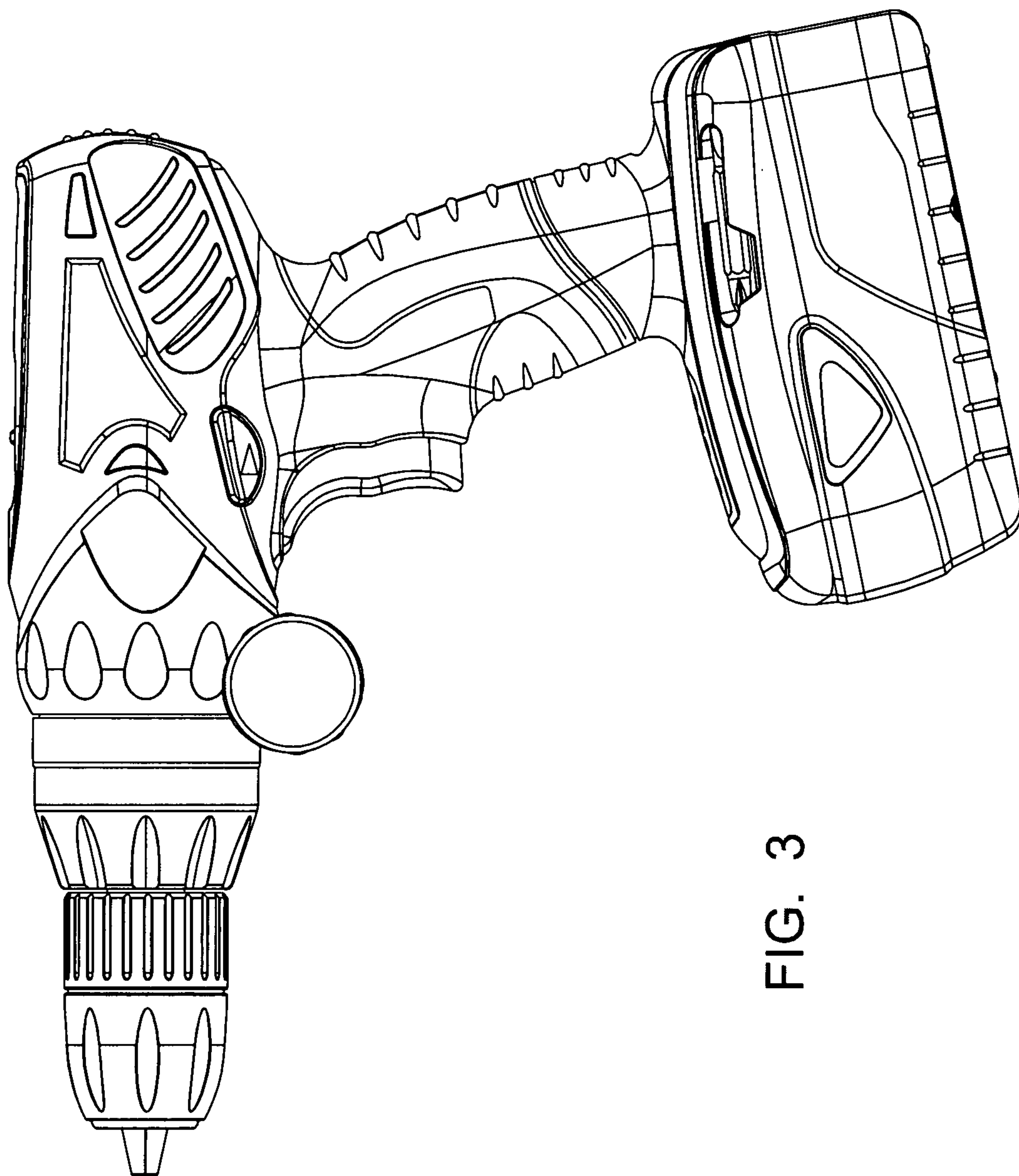


FIG. 3

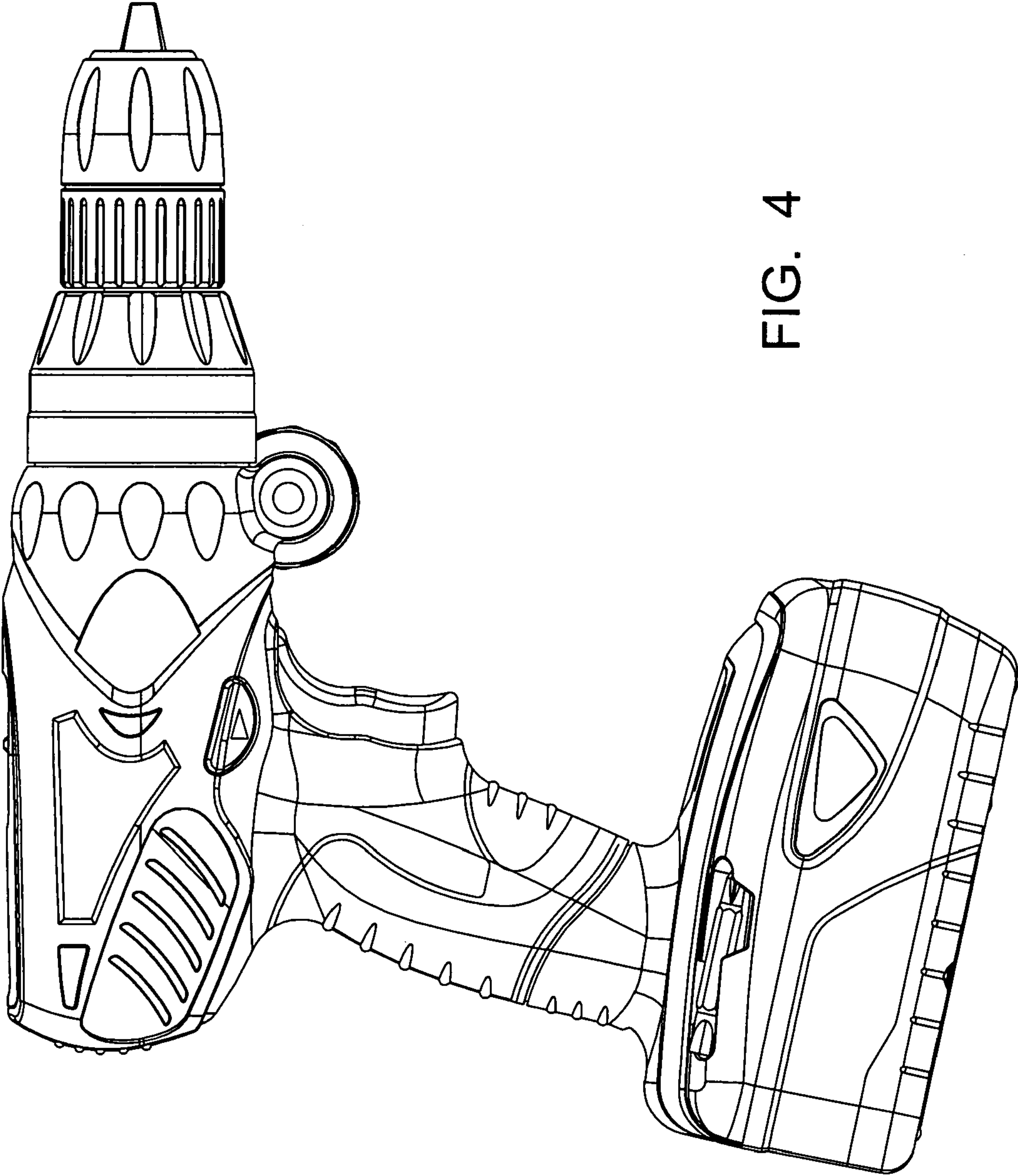


FIG. 4

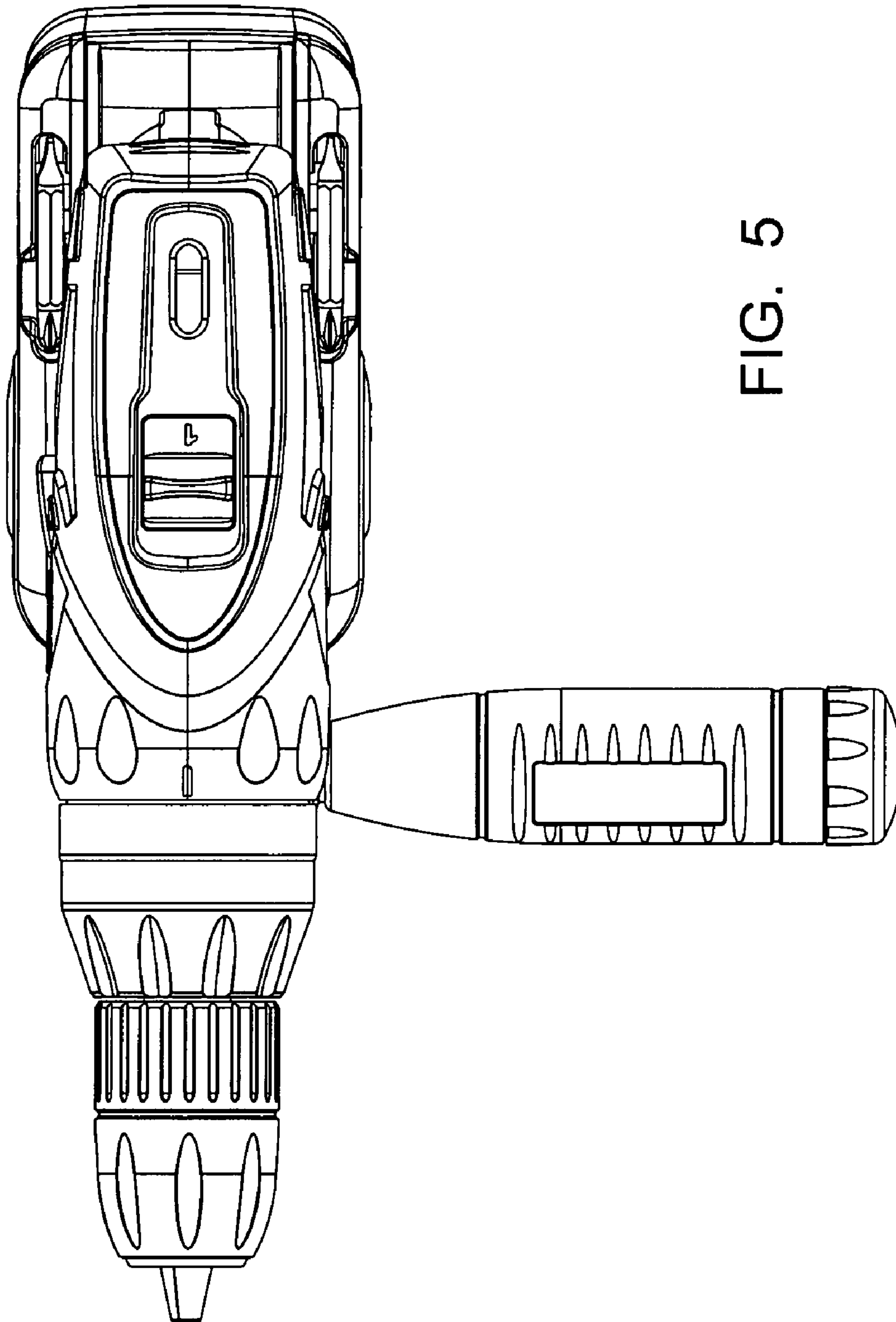


FIG. 5

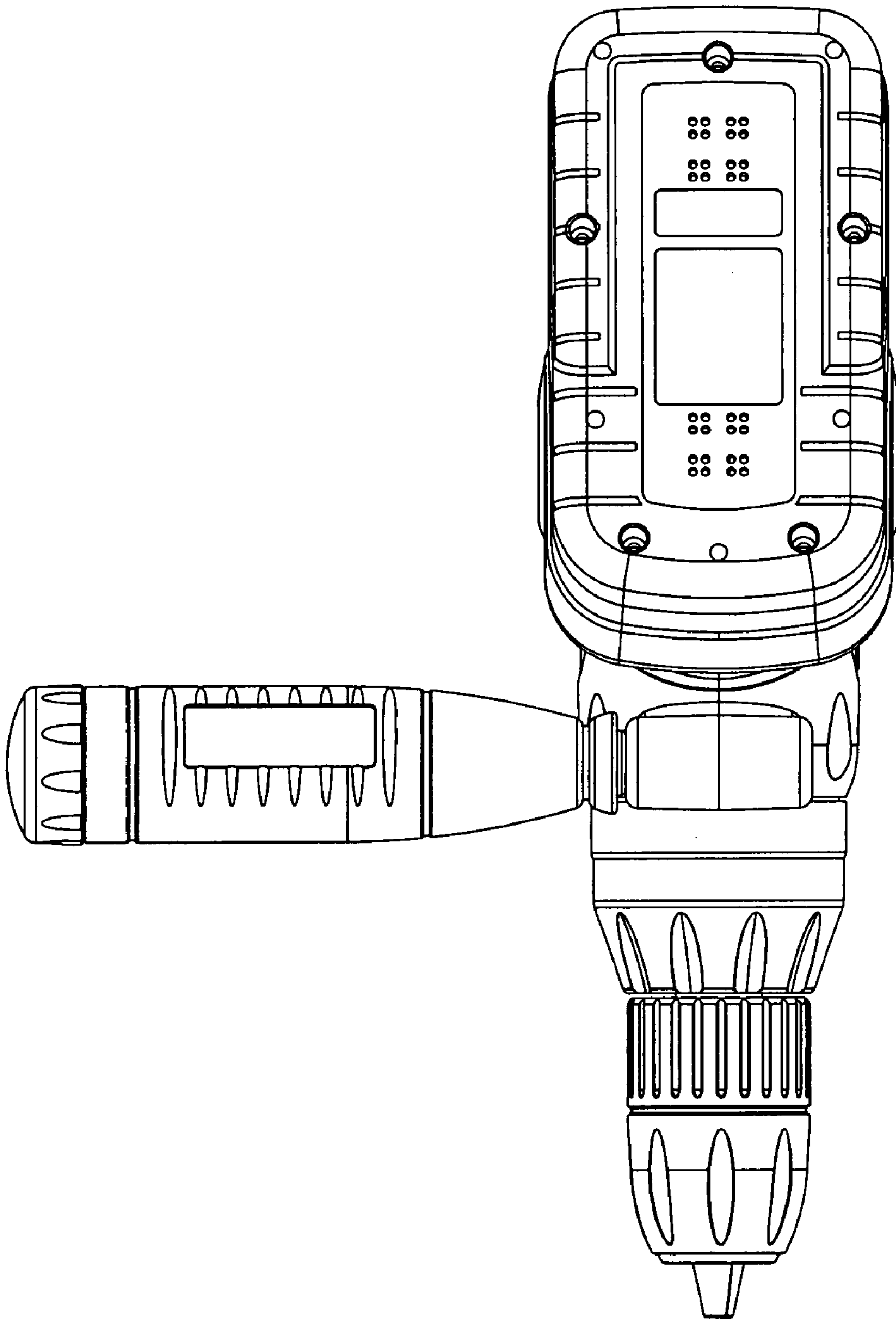


FIG. 6

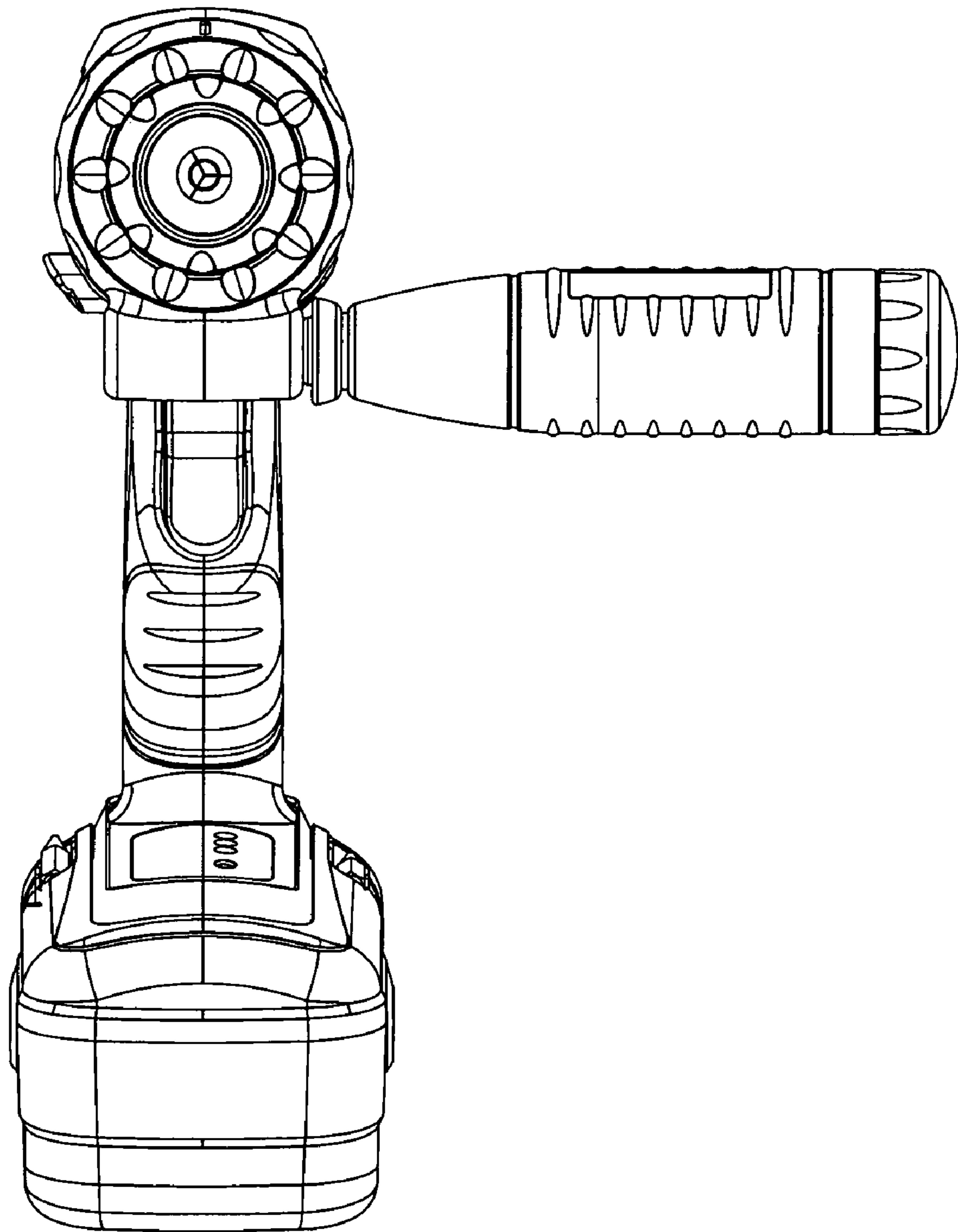


FIG. 7

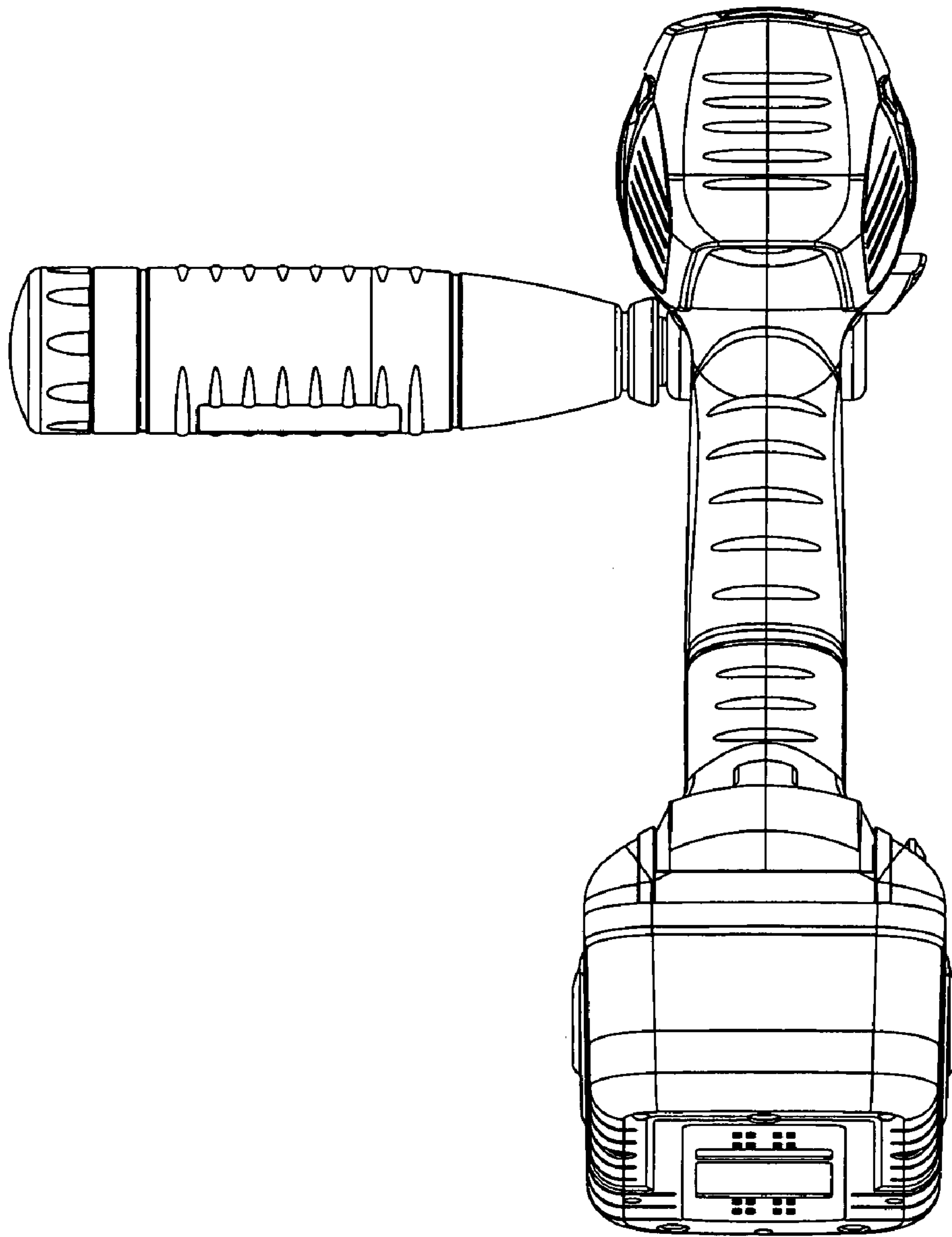


FIG. 8