



US00D546153S

(12) **United States Design Patent**  
**Hayakawa et al.**

(10) **Patent No.:** **US D546,153 S**  
(45) **Date of Patent:** **\*\* Jul. 10, 2007**

(54) **PORTABLE ELECTRIC BANDSAW BODY**

(75) Inventors: **Naohiro Hayakawa**, Anjo (JP);  
**Akinori Ito**, Anjo (JP)

(73) Assignee: **Makita Corporation**, Anjo (JP)

(\*\*) Term: **14 Years**

(21) Appl. No.: **29/261,106**

(22) Filed: **Jun. 8, 2006**

(30) **Foreign Application Priority Data**

Jan. 6, 2006 (JP) ..... 2006-000105

(51) **LOC (8) Cl.** ..... **08-03**

(52) **U.S. Cl.** ..... **D8/64**

(58) **Field of Classification Search** ..... D8/64;  
D15/138, 134, 133; 83/818, 816, 788, 824;  
30/380, 274, 166.3

See application file for complete search history.

(56) **References Cited**

**U.S. PATENT DOCUMENTS**

4,001,937 A \* 1/1977 Stelljes et al. .... 30/380  
D248,085 S \* 6/1978 Stelljes et al. .... D8/64  
4,823,666 A \* 4/1989 Galloway ..... 83/788  
D316,507 S \* 4/1991 Fushiya et al. .... D8/64  
D345,171 S \* 3/1994 Watanabe et al. .... D15/134  
D389,495 S \* 1/1998 Chung ..... D15/134  
D395,438 S \* 6/1998 Armstrong ..... D15/134

6,829,830 B2 \* 12/2004 O'Banion ..... 30/371  
D520,032 S \* 5/2006 Nortmann et al. .... D15/133  
D530,580 S \* 10/2006 Hayakawa et al. .... D8/64  
2004/0139835 A1 \* 7/2004 Wright et al. .... 83/788  
2004/0158996 A1 \* 8/2004 McIntosh ..... 30/380  
2005/0188550 A1 \* 9/2005 Uehlein-Proctor et al. .... 30/380

**FOREIGN PATENT DOCUMENTS**

JP S 1238438 5/2005

\* cited by examiner

*Primary Examiner*—Cathron C. Brooks

*Assistant Examiner*—Austin Murphy

(74) *Attorney, Agent, or Firm*—Oliff & Berridge, PLC

(57) **CLAIM**

The ornamental design for a portable electric bandsaw body, as shown and described.

**DESCRIPTION**

FIG. 1 is a perspective view of top, front and left side of a portable electric bandsaw body showing our new design;

FIG. 2 is a front view thereof;

FIG. 3 is a rear view thereof;

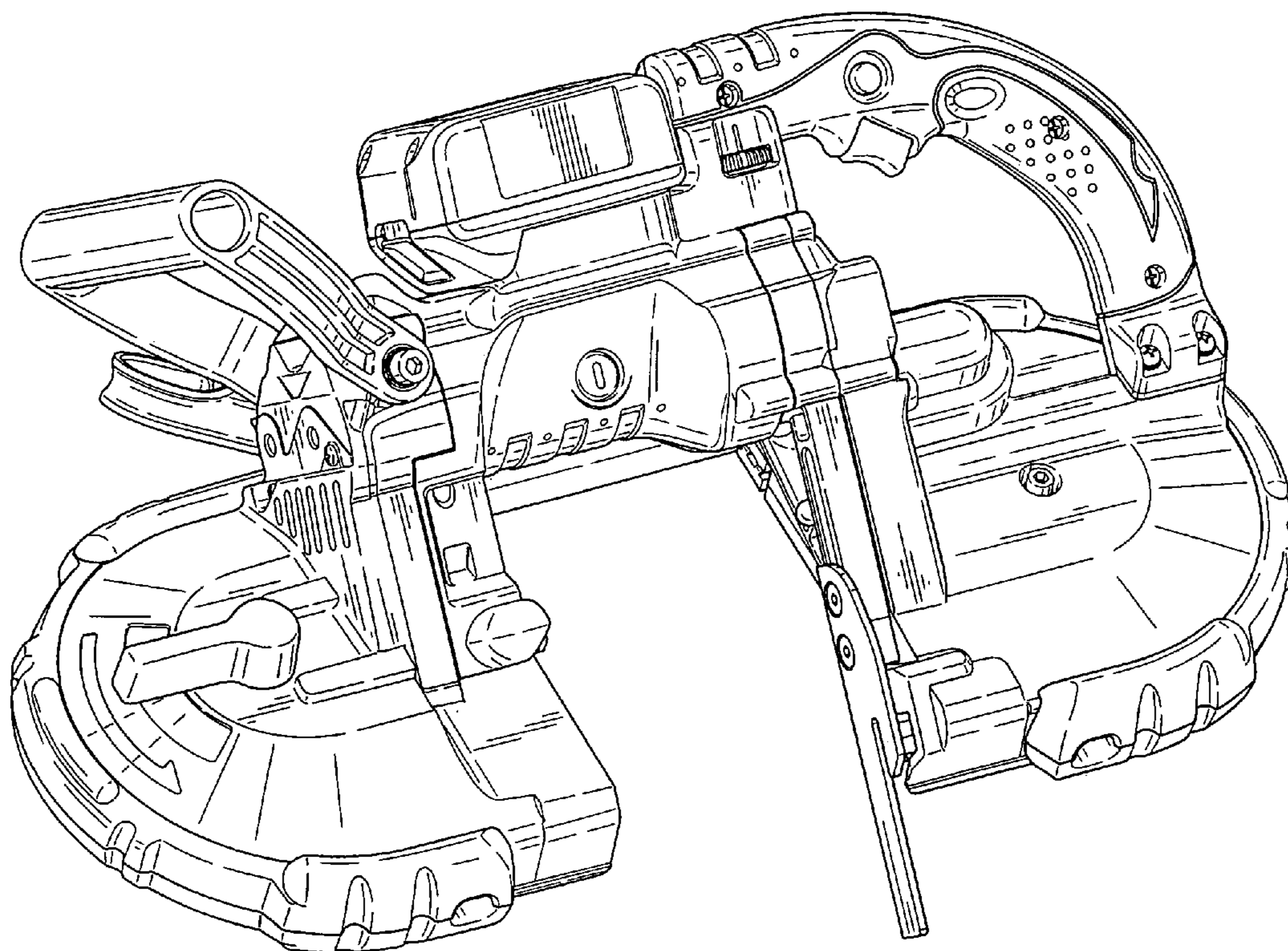
FIG. 4 is a top plan view thereof;

FIG. 5 is a bottom view thereof;

FIG. 6 is a left side view thereof; and,

FIG. 7 is a right side view thereof.

**1 Claim, 6 Drawing Sheets**



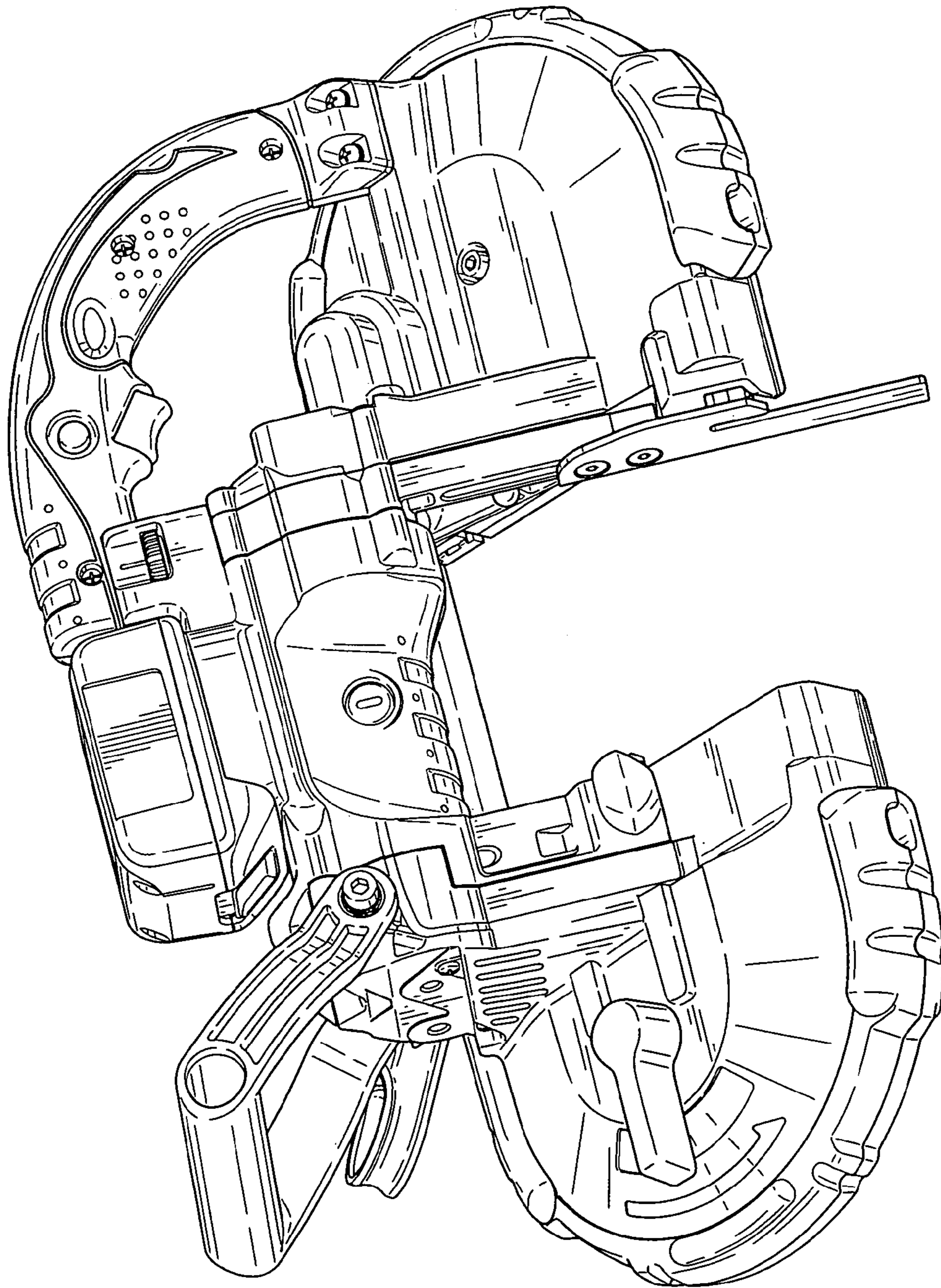


FIG. 1

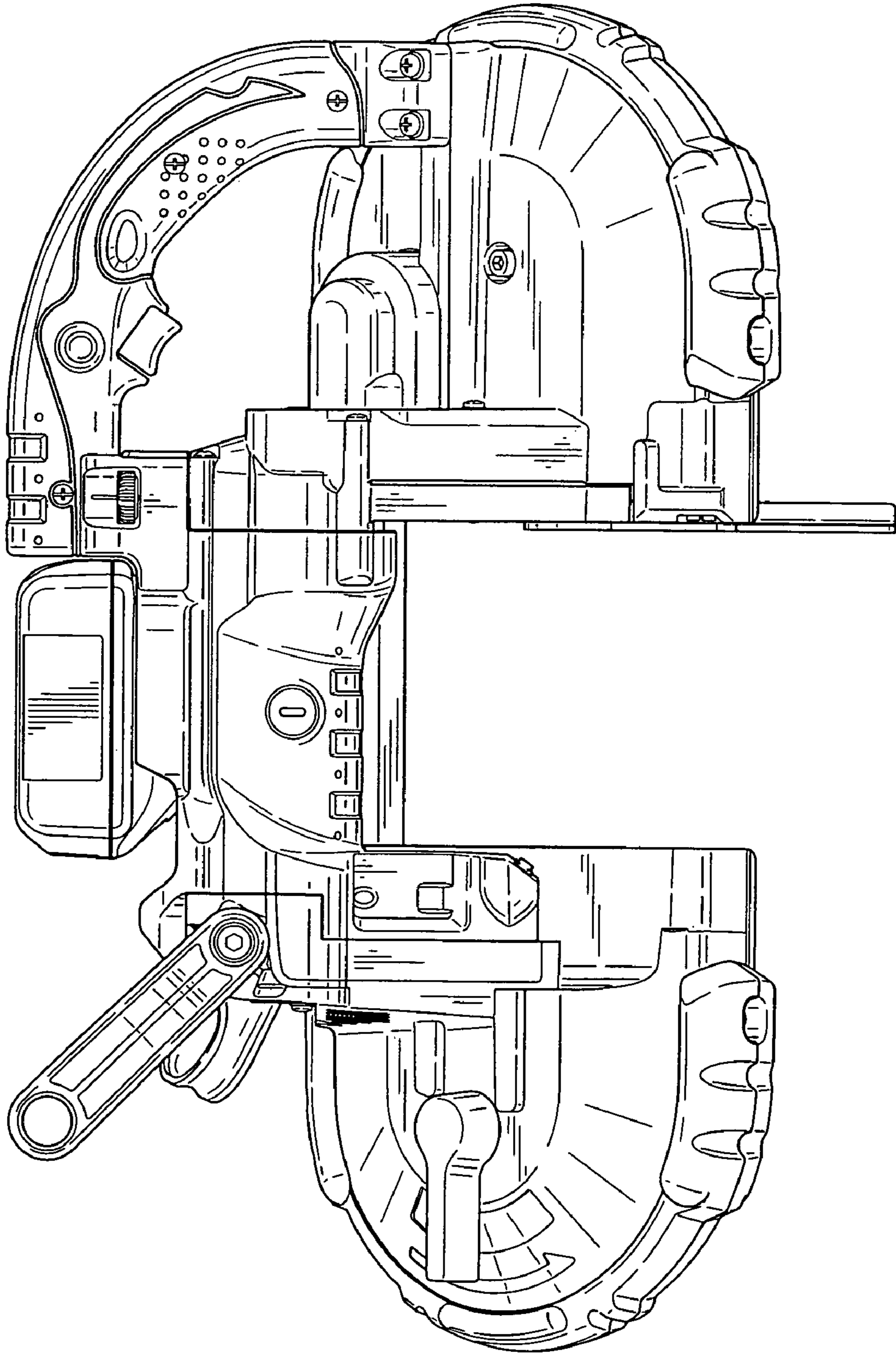


FIG. 2

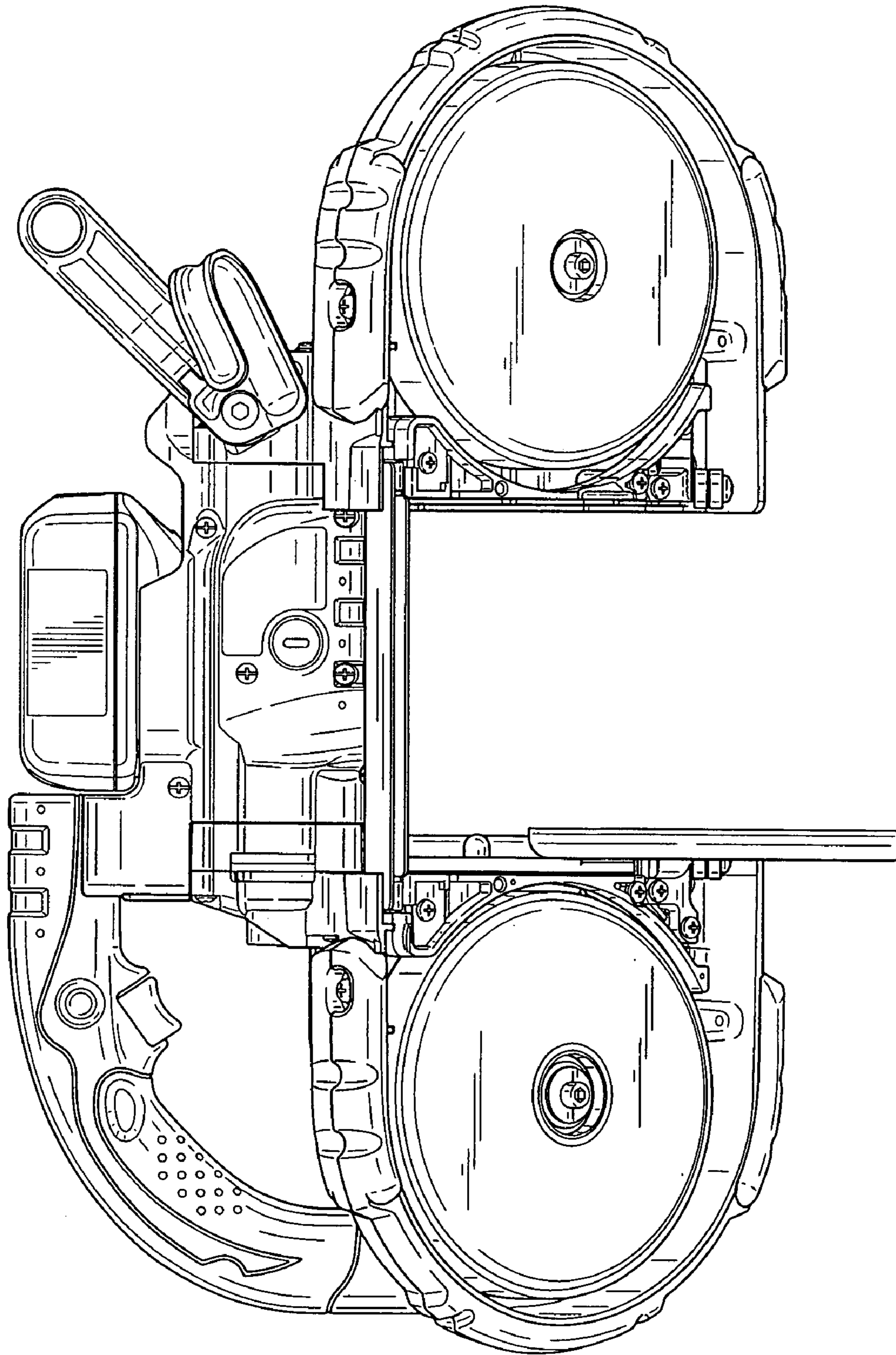


FIG. 3

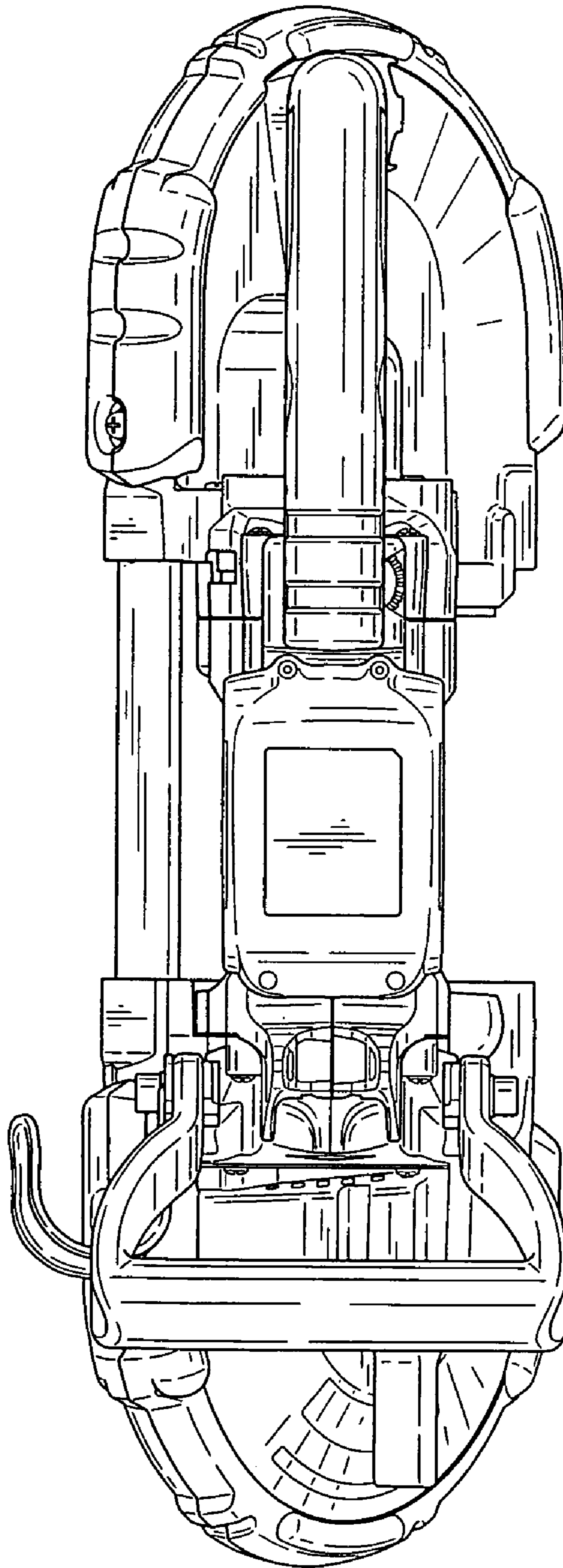


FIG. 4

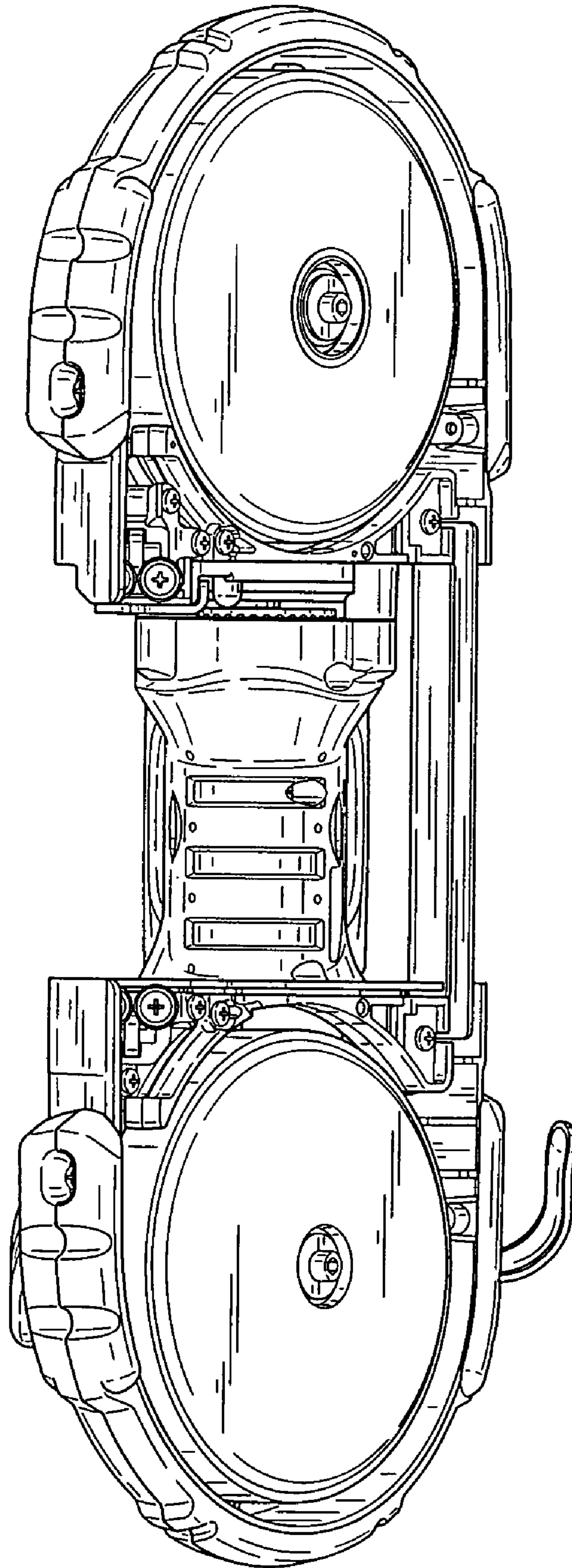


FIG. 5

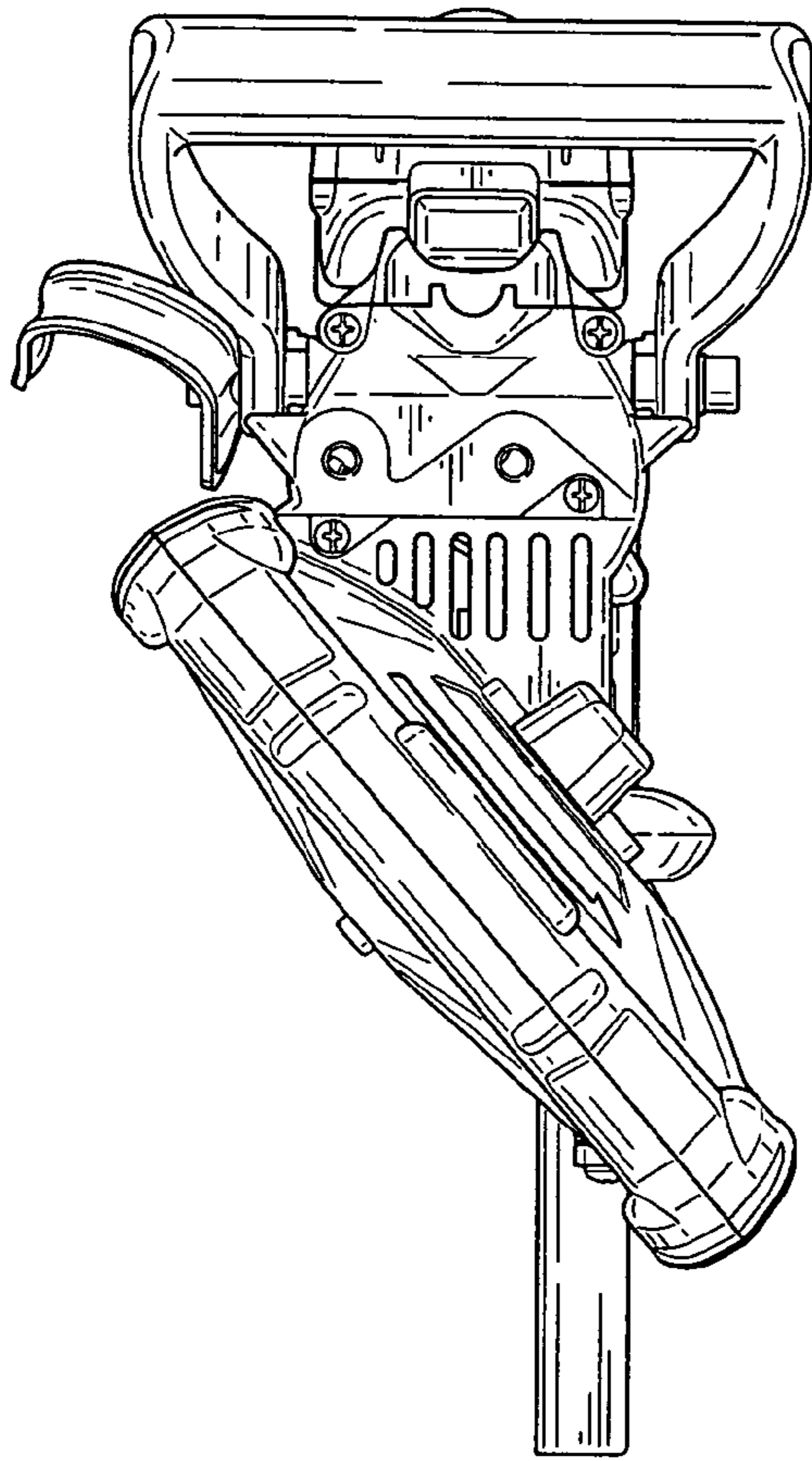


FIG. 6

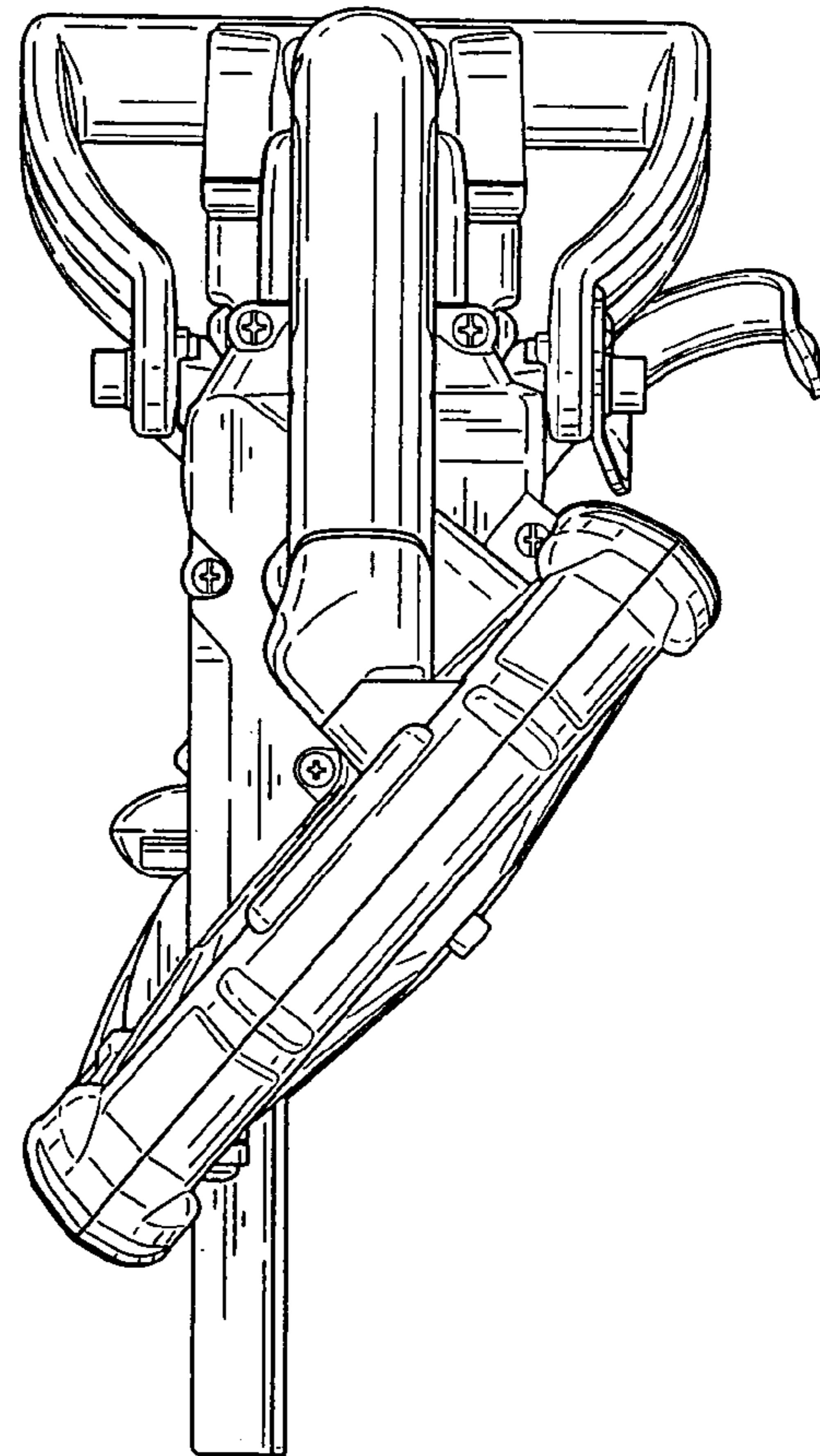


FIG. 7