

US00D546152S

(12) **United States Design Patent**
Williams et al.

(10) **Patent No.:** **US D546,152 S**
(45) **Date of Patent:** **** Jul. 10, 2007**

(54) **WATER-PUMP PLIERS WITH SEMI-FLUSH FASTENER**

(75) Inventors: **Ellis Williams**, Colorado Springs, CO (US); **James P. Frankewich**, Colorado Springs, CO (US)

(73) Assignee: **Emerson Electric Co.**, St. Louis, MO (US)

(**) Term: **14 Years**

(21) Appl. No.: **29/239,423**

(22) Filed: **Sep. 28, 2005**

(51) **LOC (8) Cl.** **08-05**

(52) **U.S. Cl.** **D8/52**

(58) **Field of Classification Search** D8/4,
D8/22, 51, 52, 54, 57, 107; 30/175, 193;
140/117, 118, 121, 124, 139; 81/129, 179,
81/186, 300, 302, 313, 314, 329, 337, 342,
81/346, 351, 355, 358, 385, 386, 393, 395,
81/397, 405, 407, 409, 411, 412, 413, 417,
81/418, 426, 427.5, 440

See application file for complete search history.

(56) **References Cited**

U.S. PATENT DOCUMENTS

D143,921 S	2/1946	Laird	
2,557,296 A	6/1951	Kress	
2,882,775 A *	4/1959	Rank et al.	81/414
3,760,473 A	9/1973	Studdard	
3,894,451 A	7/1975	Putsch	
D258,930 S	4/1981	Wahlberg	
D283,198 S	4/1986	Sipotz	
4,719,827 A	1/1988	Igarashi	
D297,802 S	9/1988	Himbert et al.	
4,920,593 A *	5/1990	Finn	81/326
D312,199 S	11/1990	Dlugolecki	
5,134,908 A *	8/1992	Fisher	81/414

D343,779 S	2/1994	Imhoff et al.	
5,809,853 A *	9/1998	Hudson	81/427.5
D418,030 S	12/1999	Khachatoorian	
D526,174 S *	8/2006	Hermann	D8/52

OTHER PUBLICATIONS

Sears Tool Catalog, 1989, p. 36, #13, Pliers.
Snap-On Tools Catalog, 1989, p. 186, Pliers E.
True Craft Catalog, 1975, p. 2, Drop Forged Pliers.

* cited by examiner

Primary Examiner—Alan P. Douglas
Assistant Examiner—Deanna Fluegeman

(74) *Attorney, Agent, or Firm*—Locke Liddell & Sapp LLP

(57) **CLAIM**

The ornamental design for water-pump pliers with a semi-flush fastener, as shown and described.

DESCRIPTION

FIG. 1 is a perspective view of water-pump pliers with a semi-flush fastener showing our new design;

FIG. 2 is a rear face view thereof;

FIG. 3 is a front slotted face view thereof;

FIG. 4 is a left side view thereof;

FIG. 5 is a right side view thereof;

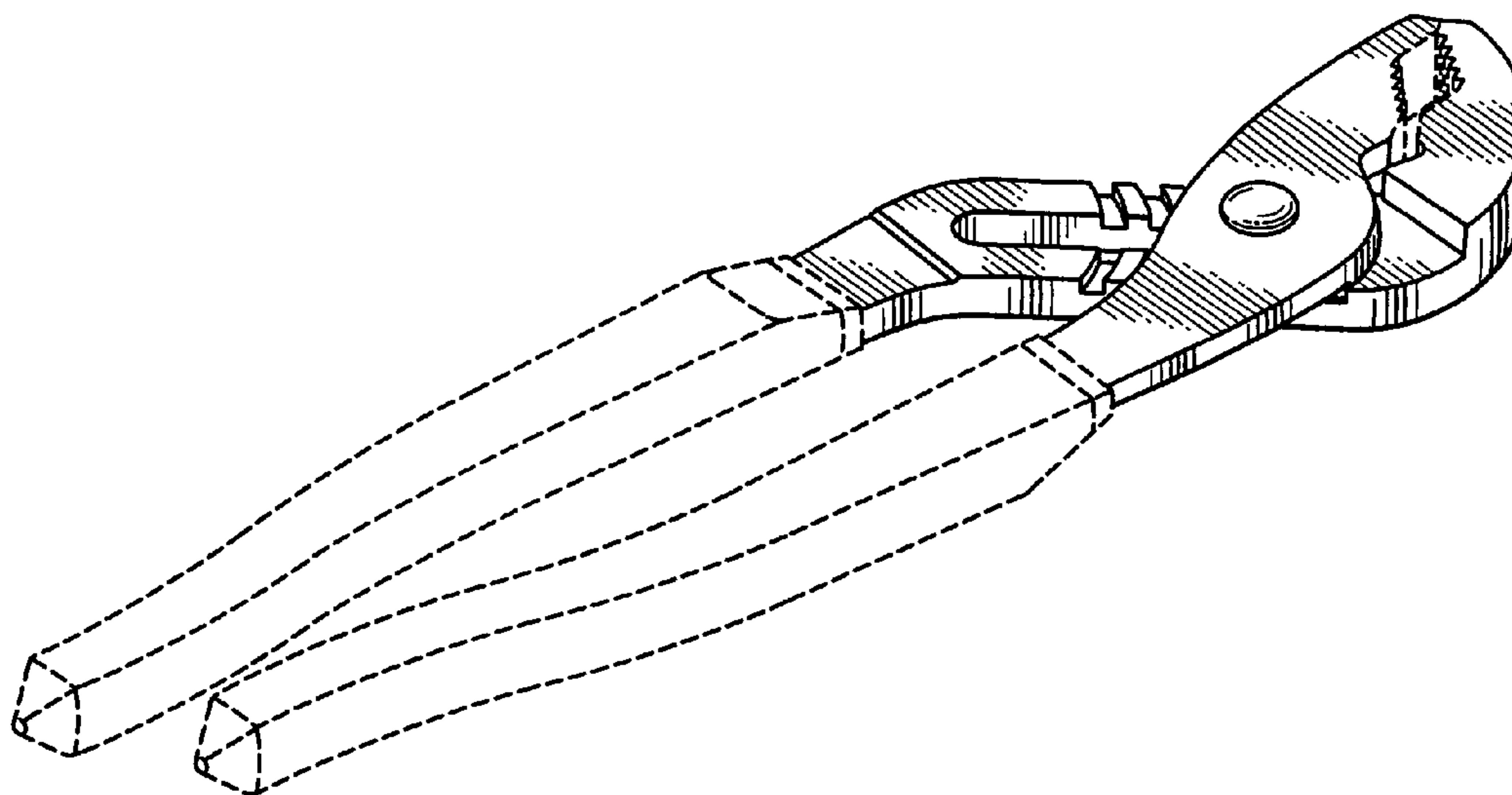
FIG. 6 is a bottom plan view thereof; and,

FIG. 7 is a top plan view thereof.

The broken lines of FIGS. 1–7 are for illustrative purposes only and form no part of the claimed design.

The characteristic feature of our claimed design is pliers with a fastener that (1) sits down within a slot such that the fastener's outermost surface is flush with the surface of the pliers's slotted face and (2) protrudes from the surface of the face opposite the pliers's slotted face.

1 Claim, 3 Drawing Sheets



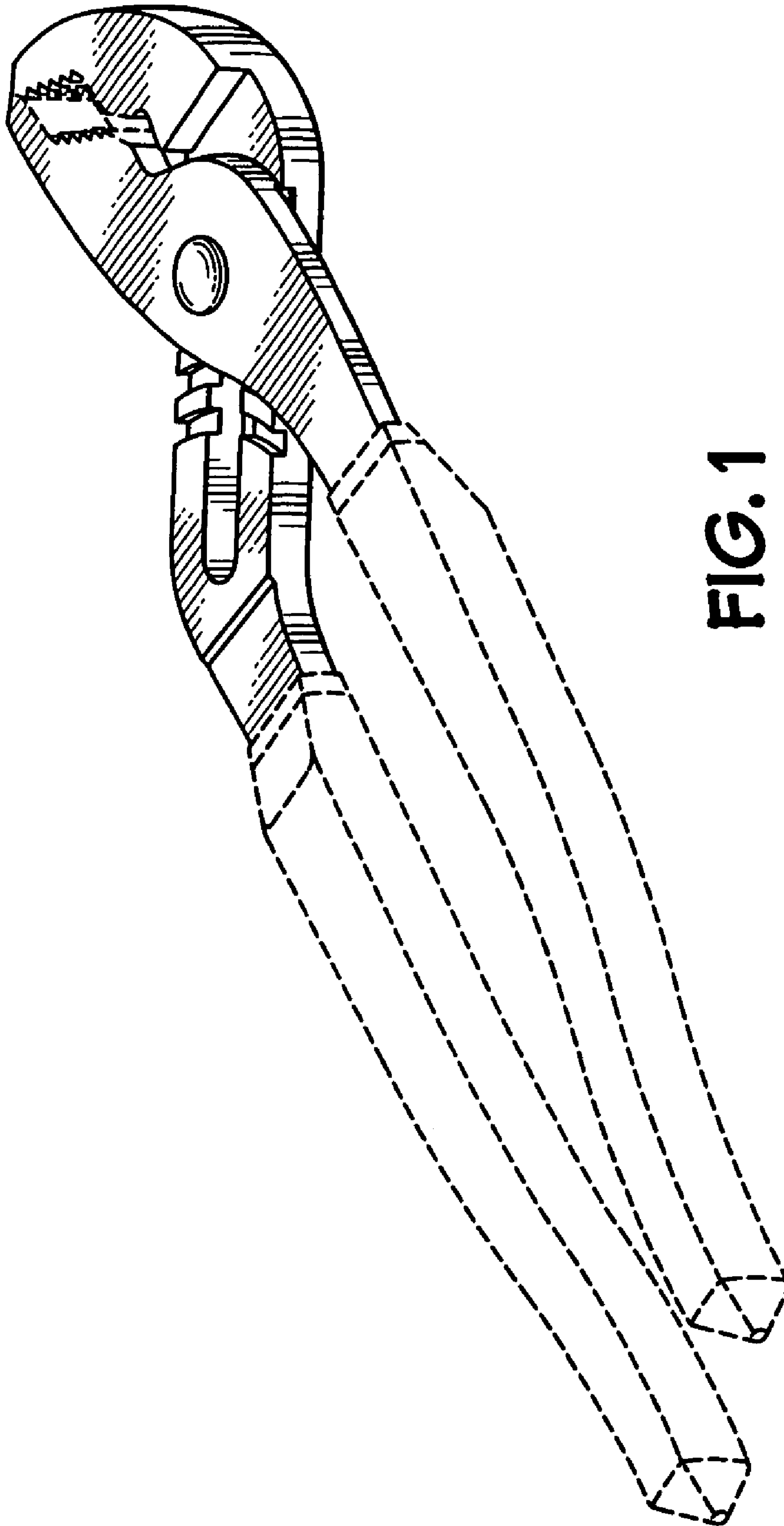


FIG. 1

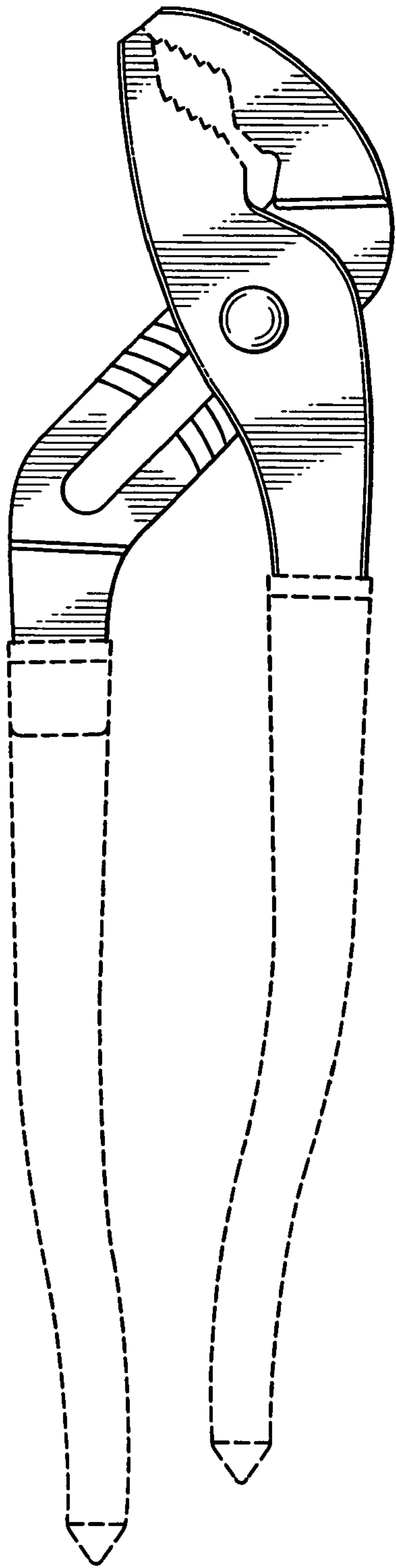


FIG. 2

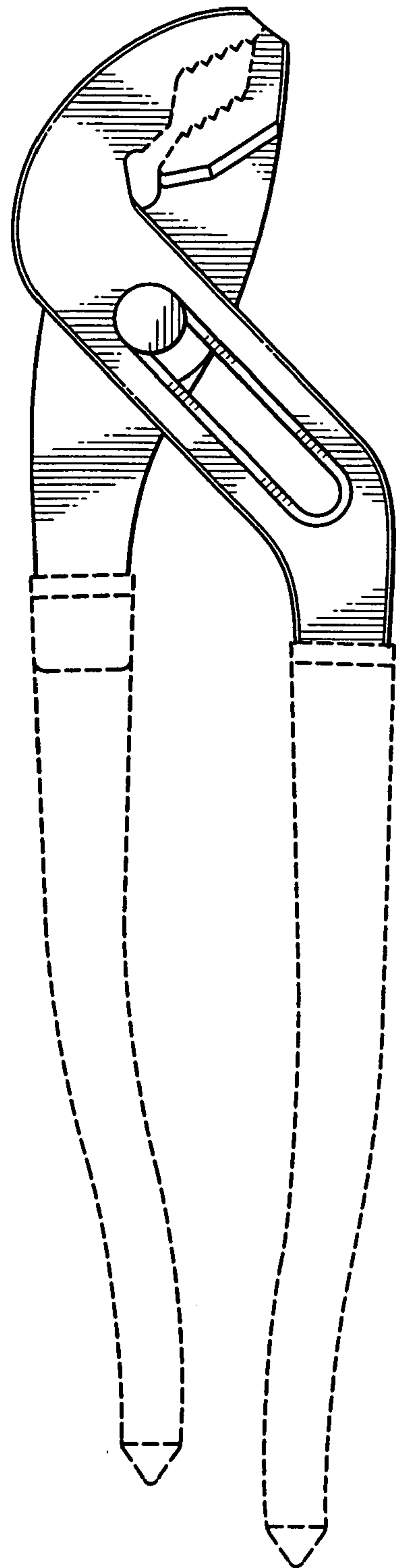


FIG. 3

FIG. 4

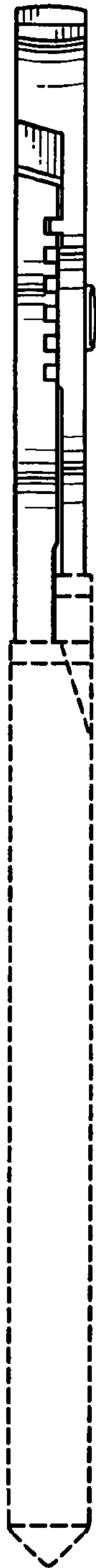


FIG. 5

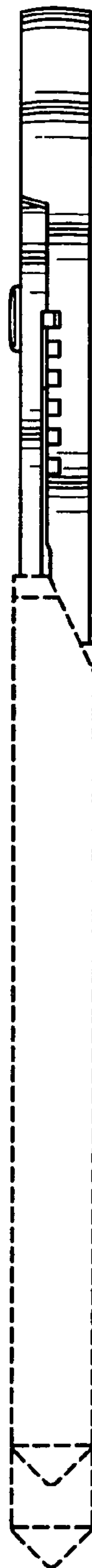


FIG. 6



FIG. 7

