



US00D546151S

(12) **United States Design Patent**  
**Williams et al.**

(10) **Patent No.: US D546,151 S**  
(45) **Date of Patent: \*\* Jul. 10, 2007**

(54) **PLIERS WITH SEMI-FLUSH FASTENER**

(75) Inventors: **Ellis Williams**, Colorado Springs, CO (US); **James P. Frankewich**, Colorado Springs, CO (US)

(73) Assignee: **Emerson Electric Co.**, St. Louis, MO (US)

(\*\*) Term: **14 Years**

(21) Appl. No.: **29/239,422**

(22) Filed: **Sep. 28, 2005**

(51) **LOC (8) Cl.** ..... **08-05**

(52) **U.S. Cl.** ..... **D8/52**

(58) **Field of Classification Search** ..... D8/4,  
D8/22, 51, 52, 54, 57, 107; 30/175, 193;  
140/117, 118, 121, 124, 139; 81/129, 179,  
81/186, 300, 302, 313, 314, 329, 337, 342,  
81/346, 351, 355, 358, 385, 386, 393, 395,  
81/397, 405, 407, 409, 411, 412, 413, 417,  
81/418, 426, 427.5, 440

See application file for complete search history.

(56) **References Cited**

**U.S. PATENT DOCUMENTS**

1,183,525	A *	5/1916	Billings	.....	76/101.1
1,393,399	A *	10/1921	Schler	.....	81/418
1,561,833	A	11/1925	Cruickshank		
1,684,775	A	9/1928	Neikirk		
1,895,314	A	1/1933	Dripps		
2,881,649	A *	4/1959	Ball et al.	.....	81/339
4,669,340	A	6/1987	Igarashi		
4,903,558	A	2/1990	Le Duc		
D344,224	S	2/1994	Imhoff		
5,904,078	A *	5/1999	Gustafson et al.	.....	81/417
D418,030	S	12/1999	Khachatoorian		
D424,394	S *	5/2000	Lamond et al.	.....	D8/58

D431,435	S *	10/2000	McCalla et al.	.....	D8/52
D524,128	S *	7/2006	Puerta	.....	D8/52
D526,175	S *	8/2006	Hermann	.....	D8/52

**OTHER PUBLICATIONS**

Sears Tool Catalog, 1989, p. 36, #12, Slip-Joint Pliers.  
Snap-On Tools Catalog, 1989, p. 186, Pliers.  
True Craft Catalog, 1975, p. 2, Drop Forged Pliers.

\* cited by examiner

*Primary Examiner*—Alan P. Douglas  
*Assistant Examiner*—Deanna Fluegeman

(74) *Attorney, Agent, or Firm*—Locke Liddell & Sapp LLP

(57) **CLAIM**

The ornamental design for pliers with a semi-flush fastener, as shown and described.

**DESCRIPTION**

FIG. 1 is a perspective view of pliers with a semi-flush fastener showing our new design;

FIG. 2 is a rear face view thereof;

FIG. 3 is a front slotted face view thereof;

FIG. 4 is a left side view thereof;

FIG. 5 is a right side view thereof;

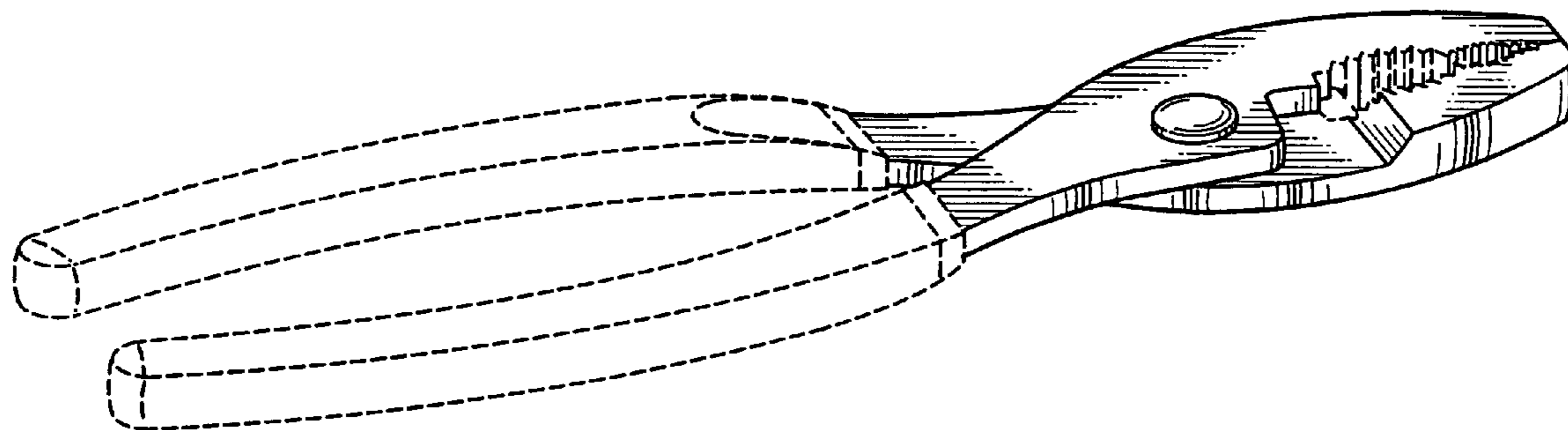
FIG. 6 is a bottom plan view thereof; and,

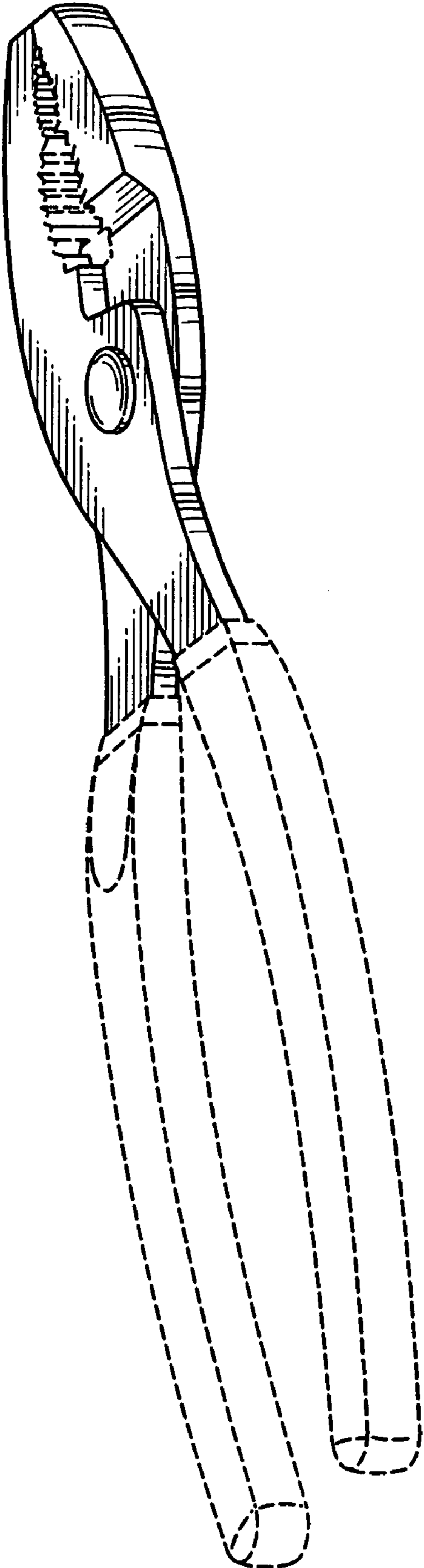
FIG. 7 is a top plan view thereof.

The broken lines of FIGS. 1–7 are for illustrative purposes only and form no part of the claimed design.

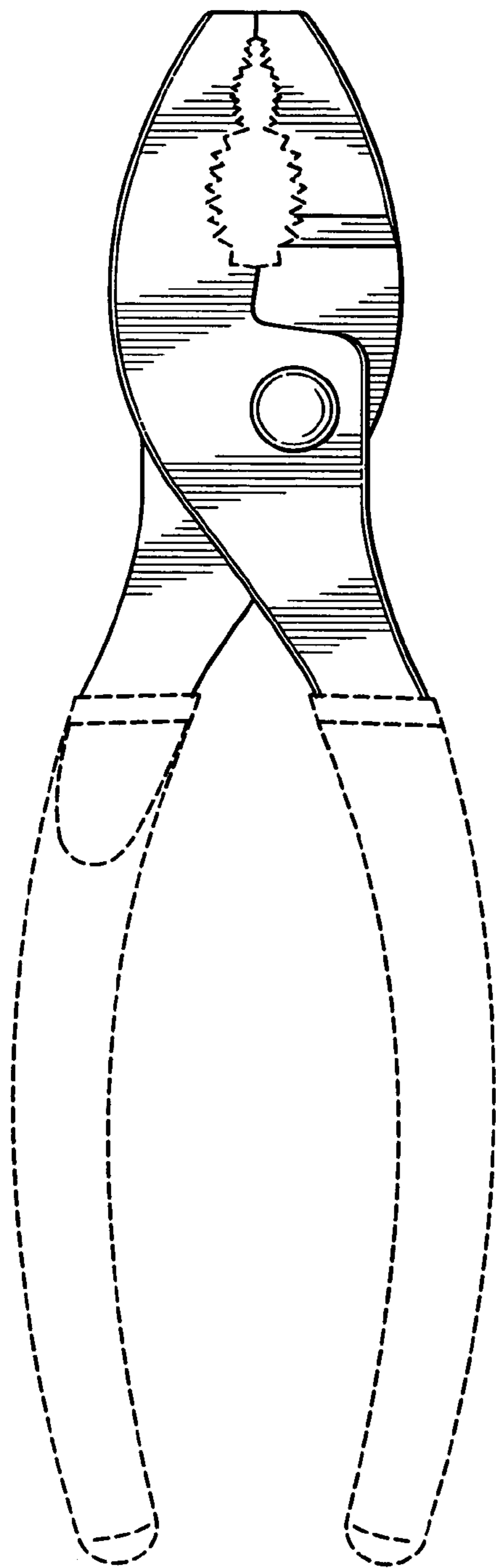
The characteristic feature of our claimed design is pliers with a fastener that (1) sits down within a slot such that the fastener's outermost surface is flush with the surface of the pliers's slotted face and (2) protrudes from the surface of the face opposite the pliers's slotted face.

**1 Claim, 3 Drawing Sheets**

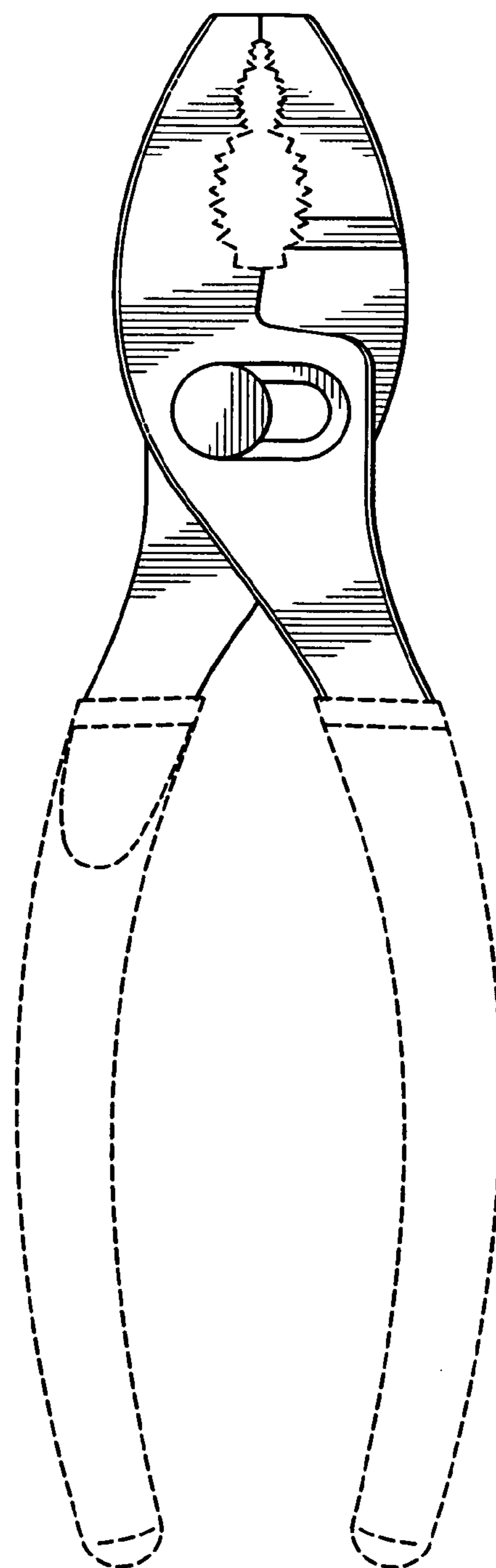




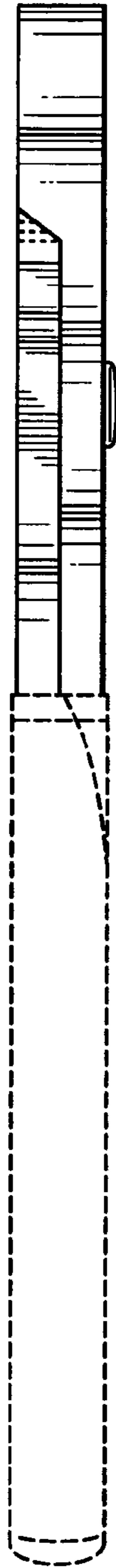
**FIG. 1**



**FIG. 2**



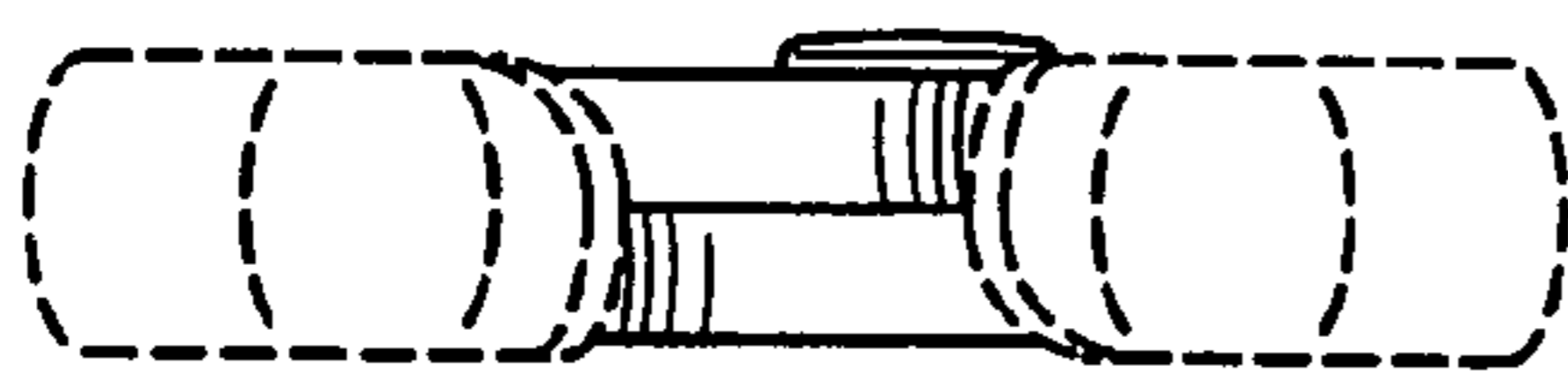
**FIG. 3**



**FIG. 4**



**FIG. 5**



**FIG. 6**



**FIG. 7**