

US00D546148S

(12) **United States Design Patent**  
**Becker**

(10) **Patent No.:** **US D546,148 S**

(45) **Date of Patent:** **\*\* Jul. 10, 2007**

(54) **TELESCOPICALLY ADJUSTABLE WRENCH**

(76) **Inventor:** **Gary D. Becker**, 1701 Scenic Dr.,  
#113, Modesto, CA (US) 95355

(\*\*) **Term:** **14 Years**

(21) **Appl. No.:** **29/255,474**

(22) **Filed:** **Mar. 9, 2006**

(51) **LOC (8) Cl.** ..... **08-05**

(52) **U.S. Cl.** ..... **D8/22**

(58) **Field of Classification Search** ..... D8/21-29,  
D8/107; 81/119, 176.1, 176.2, 177.2, 177.3,  
81/176.3, 124.3, 124.7, 177.85; 16/429,  
16/176.1, 125.1, 186, 176.2

See application file for complete search history.

(56) **References Cited**

**U.S. PATENT DOCUMENTS**

2,536,463	A *	1/1951	Ratliff	.....	81/126
4,327,611	A *	5/1982	Catanese et al.	.....	81/177.9
4,572,037	A *	2/1986	Jenq-Shyong	.....	81/126
4,729,281	A *	3/1988	Holloway, Jr.	.....	81/177.2
4,766,785	A *	8/1988	Chen	.....	81/129

D302,513	S *	8/1989	Cohen	.....	D8/22
5,154,104	A *	10/1992	O	.....	81/177.2
D469,327	S *	1/2003	Chen	.....	D8/107
D478,267	S *	8/2003	Chen	.....	D8/80

\* cited by examiner

*Primary Examiner*—Raphael Barkai  
*Assistant Examiner*—Randall H. Gholson

(57) **CLAIM**

The ornamental design for a telescopically adjustable wrench, as shown and described.

**DESCRIPTION**

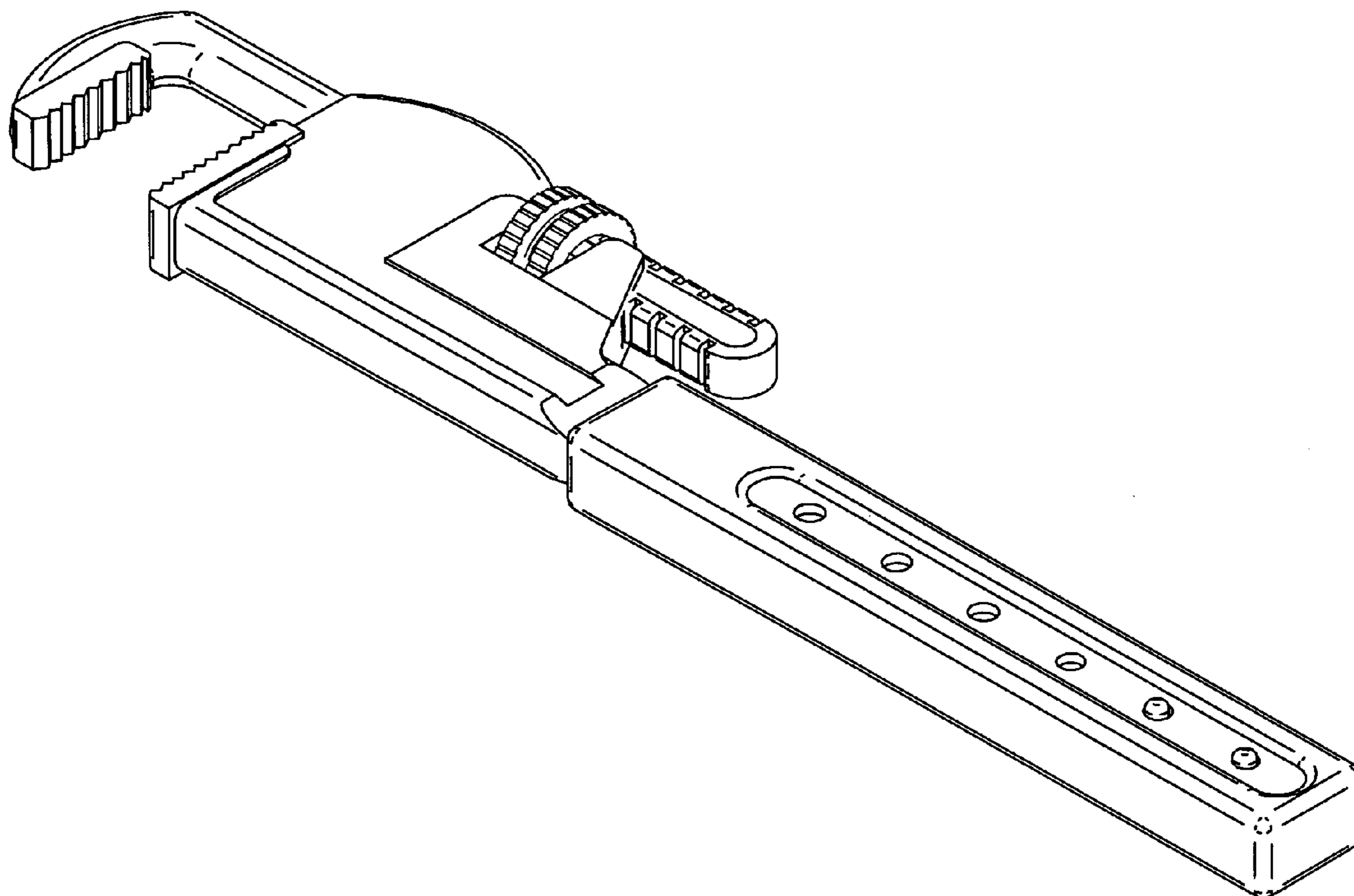
FIG. 1 is a perspective view showing the present invention adapted to a compressed position thereof;

FIG. 2 is a perspective view showing the present invention adapted to an extended view thereof;

FIG. 3 is a perspective view showing the sleeve housing of the present invention detached from the base thereof; and,

FIG. 4 is a top plan view of FIG. 3.

**1 Claim, 4 Drawing Sheets**



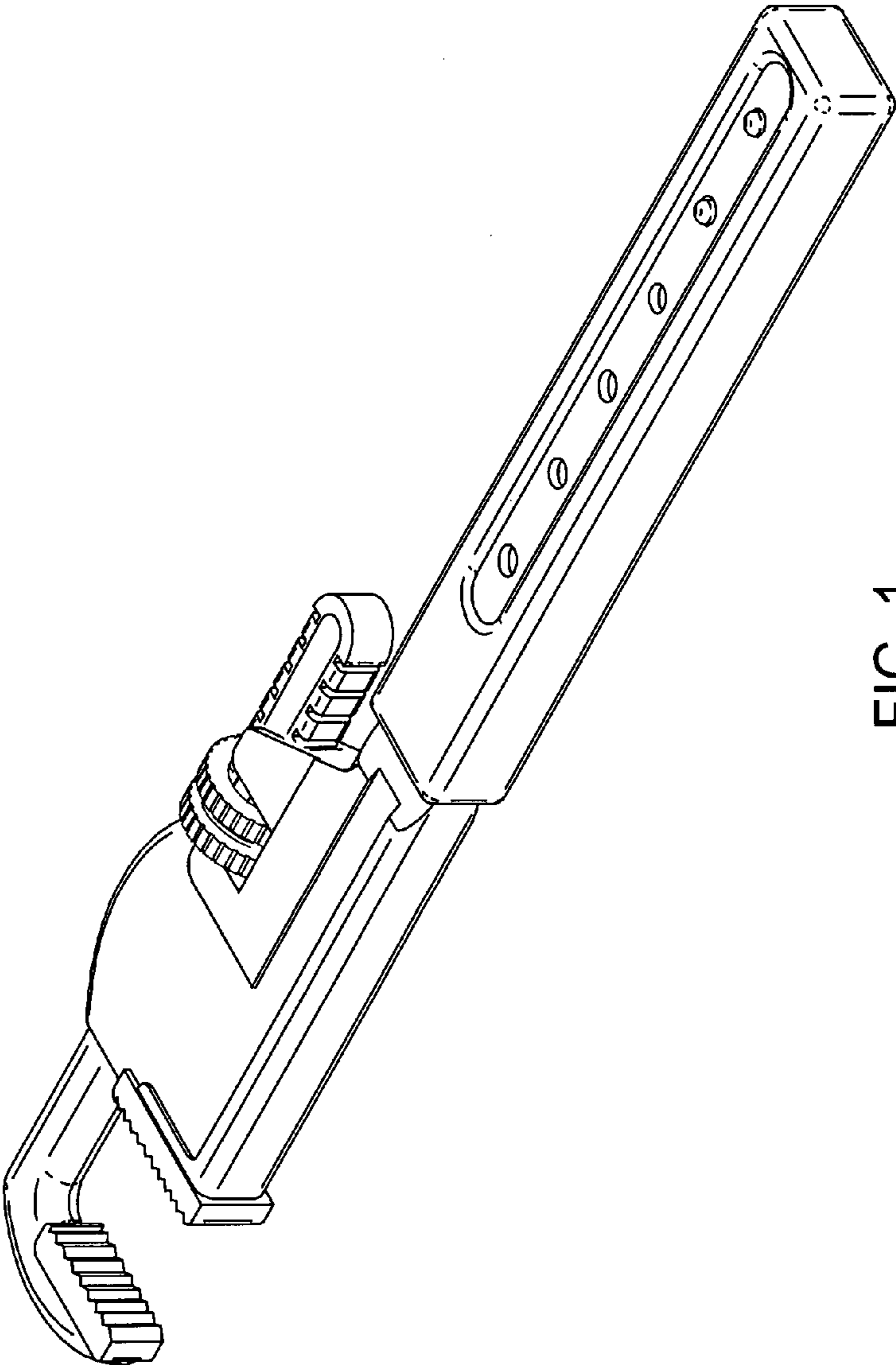


FIG. 1

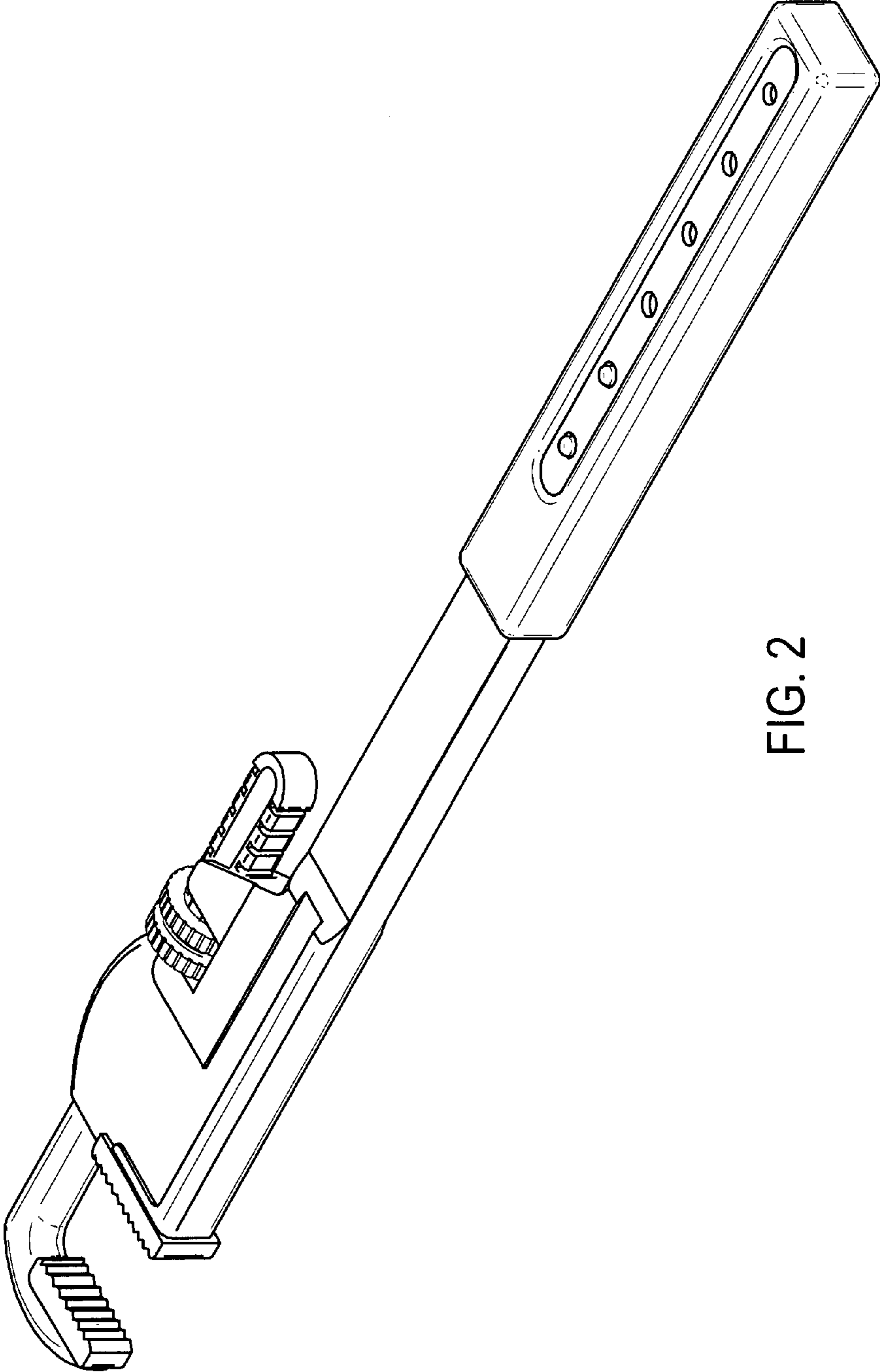


FIG. 2

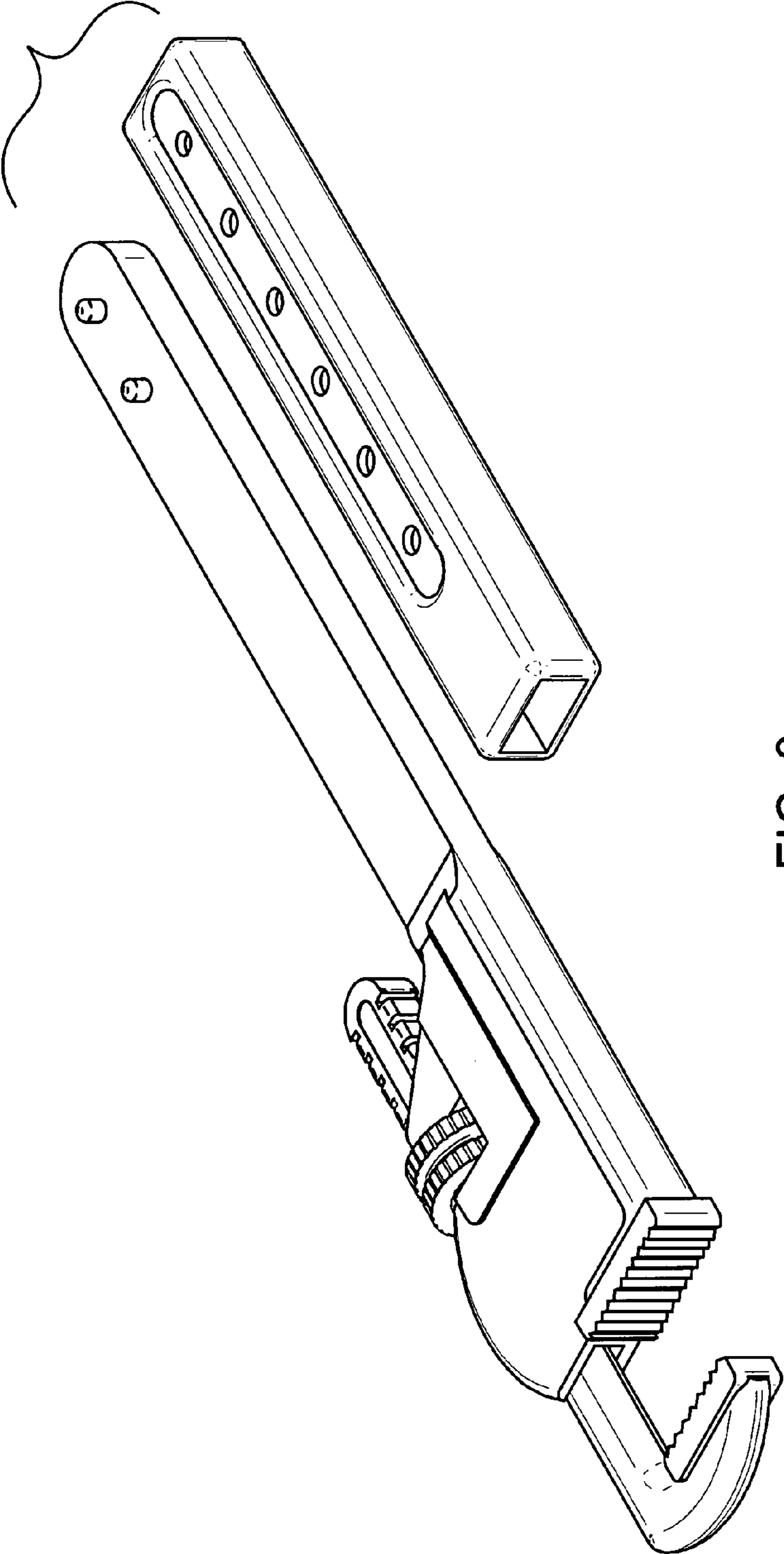


FIG. 3

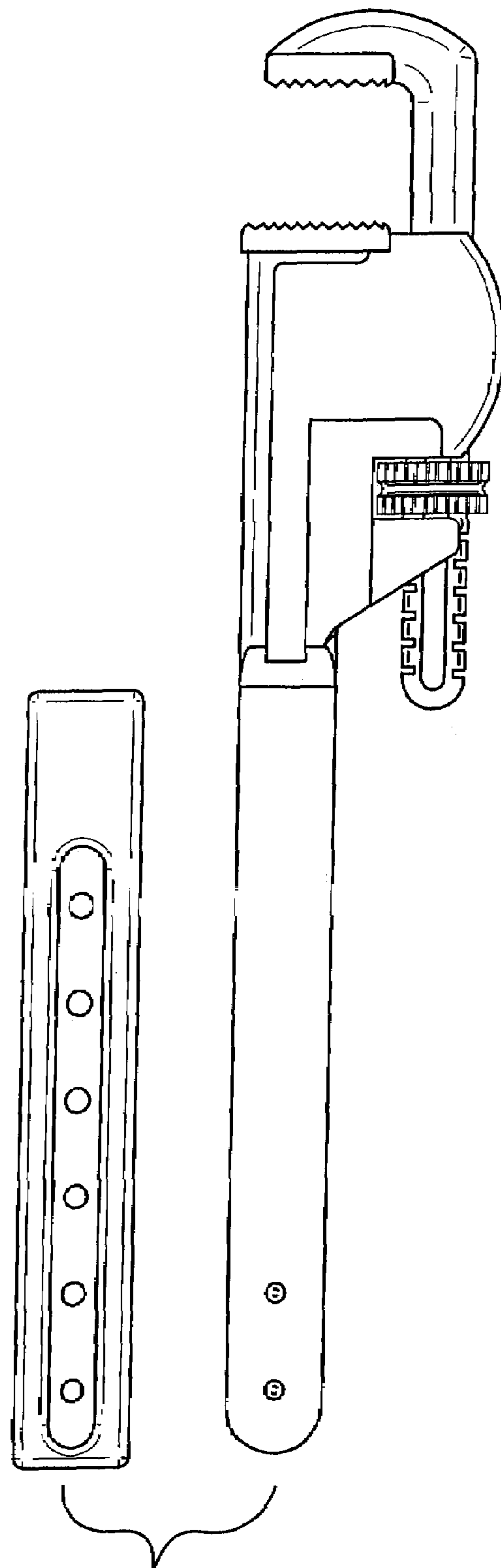


FIG. 4