

US00D546144S

(12) **United States Design Patent** (10) **Patent No.:** **US D546,144 S**  
**Noonan et al.** (45) **Date of Patent:** **\*\* Jul. 10, 2007**

(54) **WHEELED SHOVEL**

3,751,058 A 8/1973 Larsen

(75) Inventors: **Mark Noonan**, New Canaan, CT (US);  
**Robert Humphries**, Danbury, CT (US)

(Continued)

FOREIGN PATENT DOCUMENTS

(73) Assignee: **Snow Solutions LLC**, New Canaan, CT (US)

CA 2501109 3/2005

(Continued)

(\*\*) Term: **14 Years**

OTHER PUBLICATIONS

(21) Appl. No.: **29/240,982**

Field Corn Planter, [http://etc.usf.edu/clipart/4200/4213/planter\\_5.htm](http://etc.usf.edu/clipart/4200/4213/planter_5.htm), Mar. 11, 2005, 2 pages.

(22) Filed: **Oct. 20, 2005**

(Continued)

**Related U.S. Application Data**

(63) Continuation of application No. 29/234,046, filed on Jul. 13, 2005, and a continuation-in-part of application No. 10/808,841, filed on Mar. 25, 2004, now Pat. No. 7,111,418.

*Primary Examiner*—Holly H. Baynham

*Assistant Examiner*—Sheryl Friedman

(74) *Attorney, Agent, or Firm*—Harness, Dickey & Pierce, P.L.C.

(51) **LOC (8) Cl.** ..... **08-01**

(52) **U.S. Cl.** ..... **D8/10**

(58) **Field of Classification Search** ..... D8/10;  
294/51, 53.5, 54.5, 56, 58; 37/265

See application file for complete search history.

(57) **CLAIM**

The ornamental design for a wheeled shovel, as shown and described.

**DESCRIPTION**

(56) **References Cited**

U.S. PATENT DOCUMENTS

328,633 A	10/1885	Angell
998,517 A	7/1911	Humm
1,514,076 A	11/1924	Brown
1,683,732 A	9/1928	Selin
2,470,217 A	5/1949	McLoughlin
2,520,606 A	8/1950	McLoughlin
2,715,786 A	8/1955	Dorko
2,863,232 A	12/1958	Steinbach et al.
2,867,827 A	1/1959	Gantz
2,930,152 A	3/1960	Pipkin
3,107,446 A	10/1963	Messinger
3,136,574 A	6/1964	Pasquale
3,468,041 A	9/1969	Mattson et al.
3,469,326 A	9/1969	Malickson
3,475,838 A	11/1969	Hagen et al.
3,643,356 A	2/1972	Gohl
3,748,761 A	7/1973	Chetwynde

FIG. 1 is an upper perspective view of the wheeled shovel, showing our new design;

FIG. 2 is another upper perspective view of the wheeled shovel thereof;

FIG. 3 is a lower perspective view thereof;

FIG. 4 is another lower perspective view thereof;

FIG. 5 is a top plan view thereof;

FIG. 6 is a bottom plan view thereof;

FIG. 7 is a front elevation view thereof;

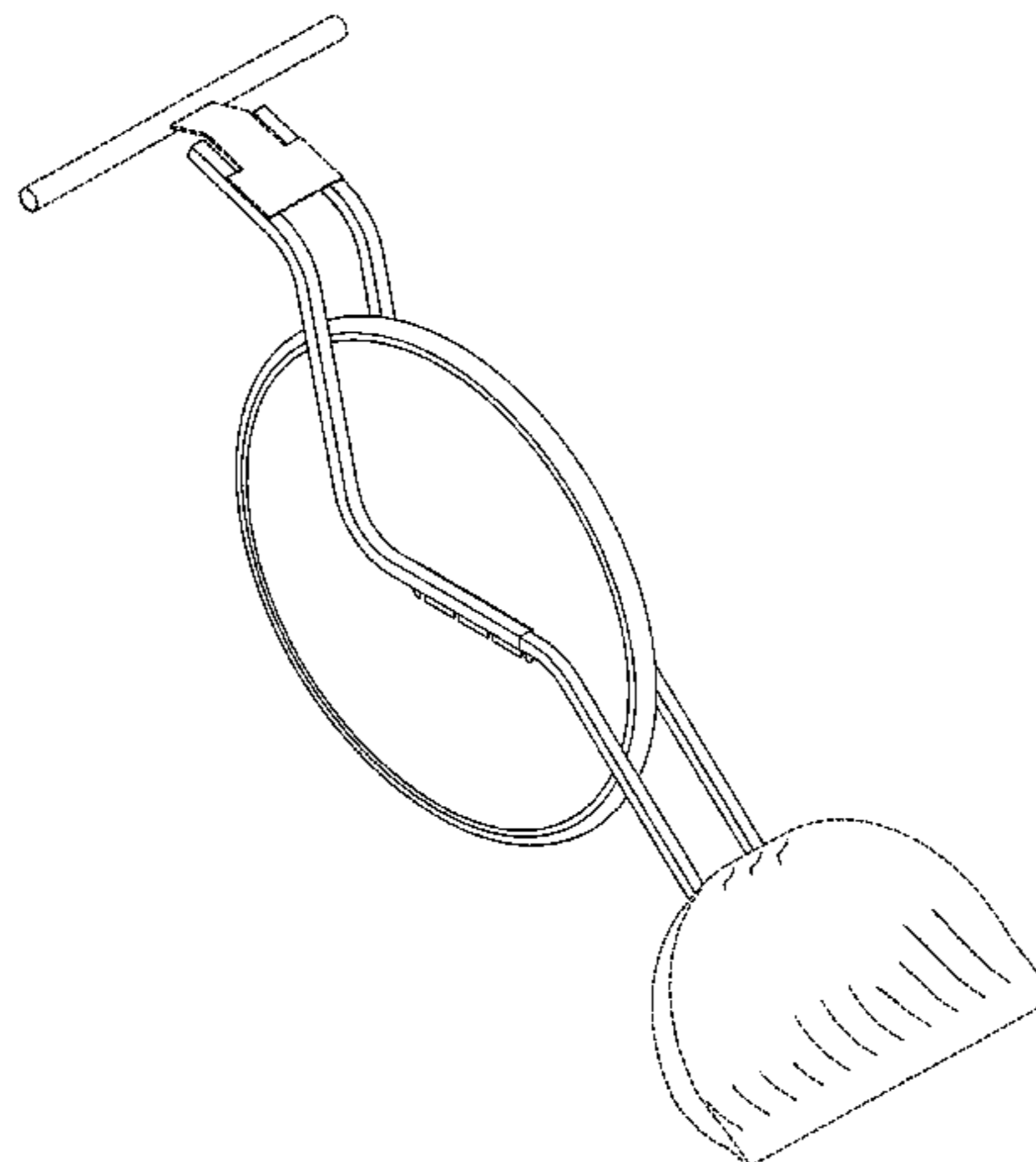
FIG. 8 is a rear elevation view thereof;

FIG. 9 is a right elevation view thereof; and,

FIG. 10 is a left elevation view thereof.

The details shown in broken lines are for illustrative purposes only and form no part of the claimed design.

**1 Claim, 10 Drawing Sheets**



# US D546,144 S

Page 2

## U.S. PATENT DOCUMENTS

4,153,287 A 5/1979 Townsend  
4,161,073 A 7/1979 Oakes  
4,179,828 A 12/1979 Brunty  
4,214,385 A 7/1980 Baranowski et al.  
4,224,751 A 9/1980 Schoemann et al.  
4,231,604 A 11/1980 Obergfell  
4,690,447 A 9/1987 Adams  
4,704,758 A 11/1987 Hoffman  
4,865,373 A 9/1989 Hudson  
D314,318 S 2/1991 Uimonen  
5,048,206 A 9/1991 Jones  
5,054,278 A 10/1991 Thorndike  
5,074,064 A 12/1991 Nickels  
5,117,530 A 6/1992 Rank  
5,123,187 A 6/1992 Zamaria  
5,511,327 A 4/1996 Jurkowski et al.  
D375,235 S 11/1996 Spear et al.  
5,581,915 A 12/1996 Lobato  
5,727,799 A 3/1998 DiSario  
5,810,408 A 9/1998 Armstrong  
5,918,921 A 7/1999 Samuelson  
D415,663 S 10/1999 Whitehead et al.

5,970,692 A 10/1999 Foster  
6,053,548 A 4/2000 Bowles, Jr.  
6,163,986 A 12/2000 Townsend  
6,334,640 B1 1/2002 Werner et al.  
D459,641 S 7/2002 Guneyasu  
6,474,007 B1 11/2002 Sueshige et al.  
6,643,958 B1 11/2003 Krejci  
6,675,507 B2 1/2004 Petruzzelli  
6,735,887 B1 5/2004 Muzzammel  
6,922,920 B1 8/2005 Stratz  
2005/0160633 A1 7/2005 Noonan

## FOREIGN PATENT DOCUMENTS

CN 200510059163.8 3/2005  
EP 1 580 322 3/2005  
FR 865.426 5/1941  
JP 2005-087306 3/2005  
WO PCT/US2005/009347 3/2005

## OTHER PUBLICATIONS

U.S. Appl. No. 29/234,046, filed Jul. 13, 2005, Noonan et al.  
Two Photographs of Wovel® Wheeled Shovel, Jan. 2005.

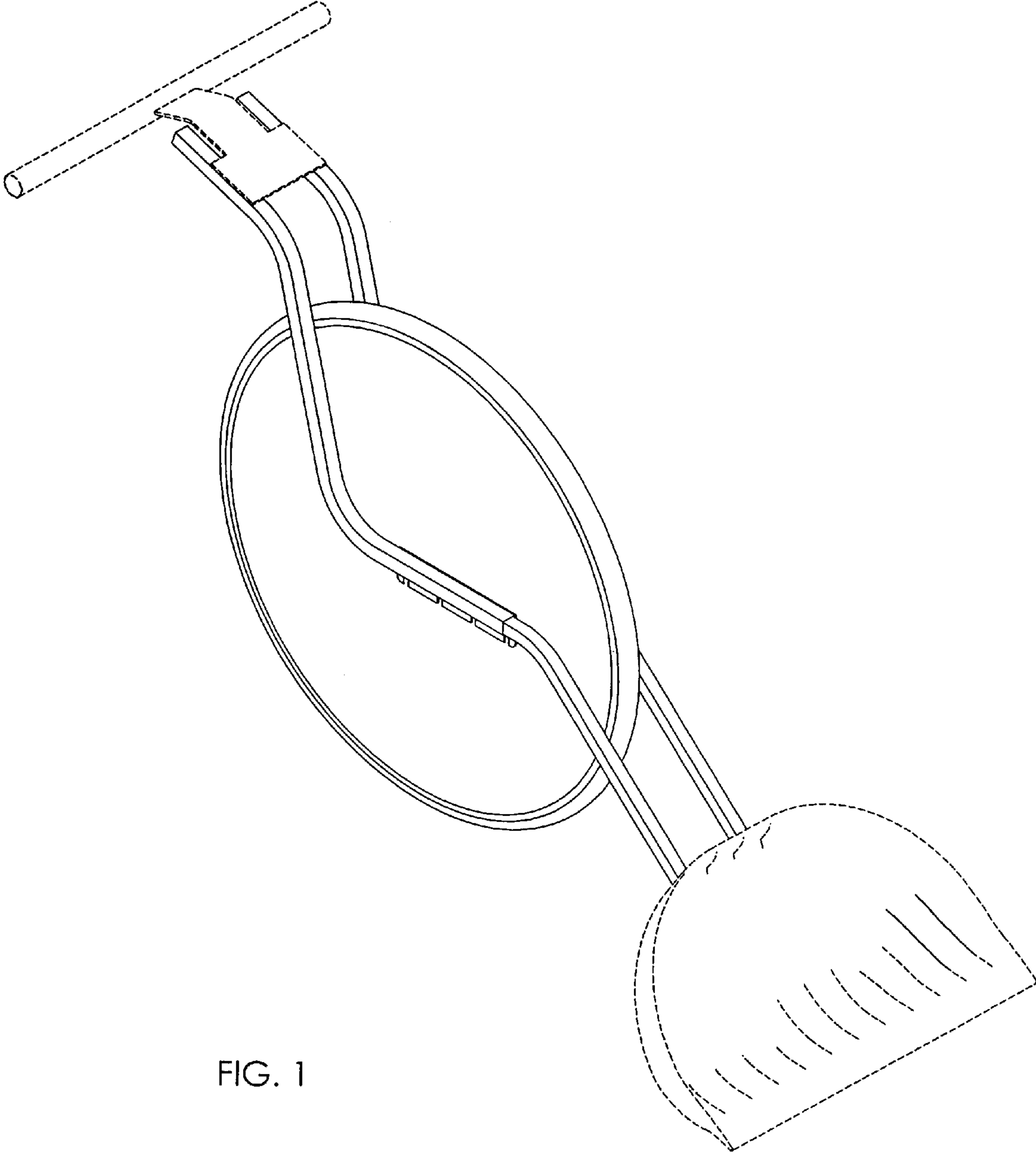


FIG. 1

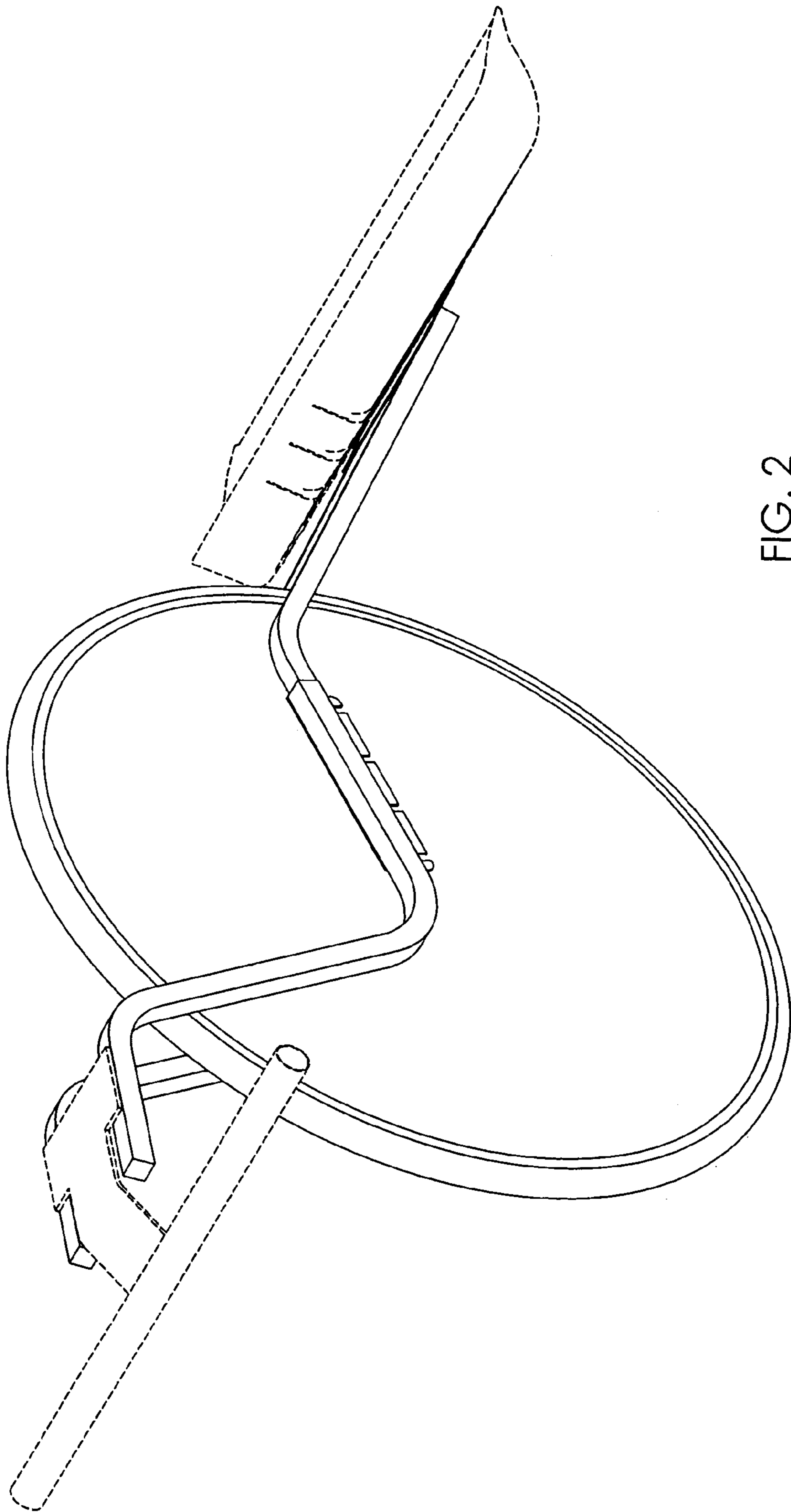


FIG. 2

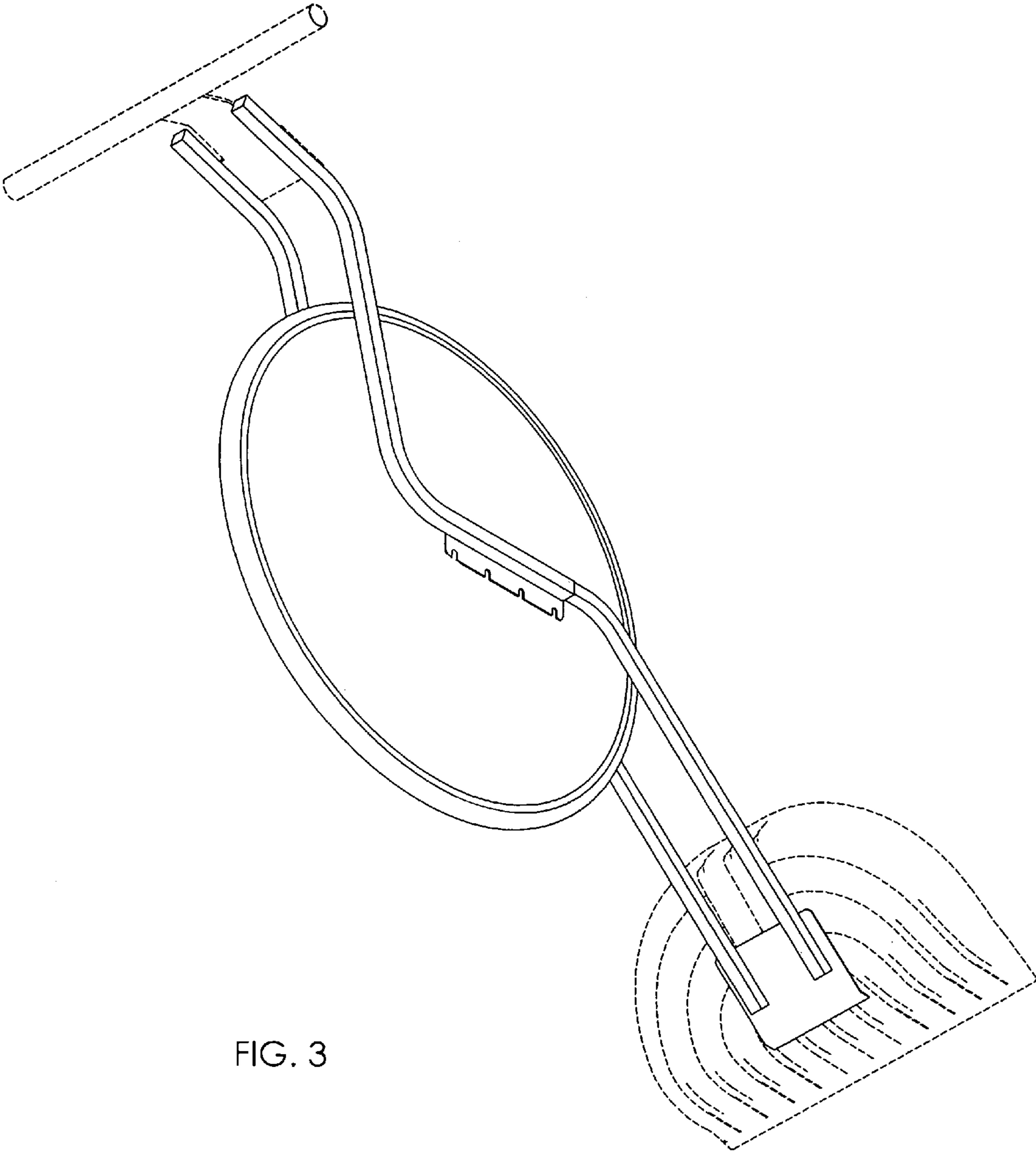


FIG. 3

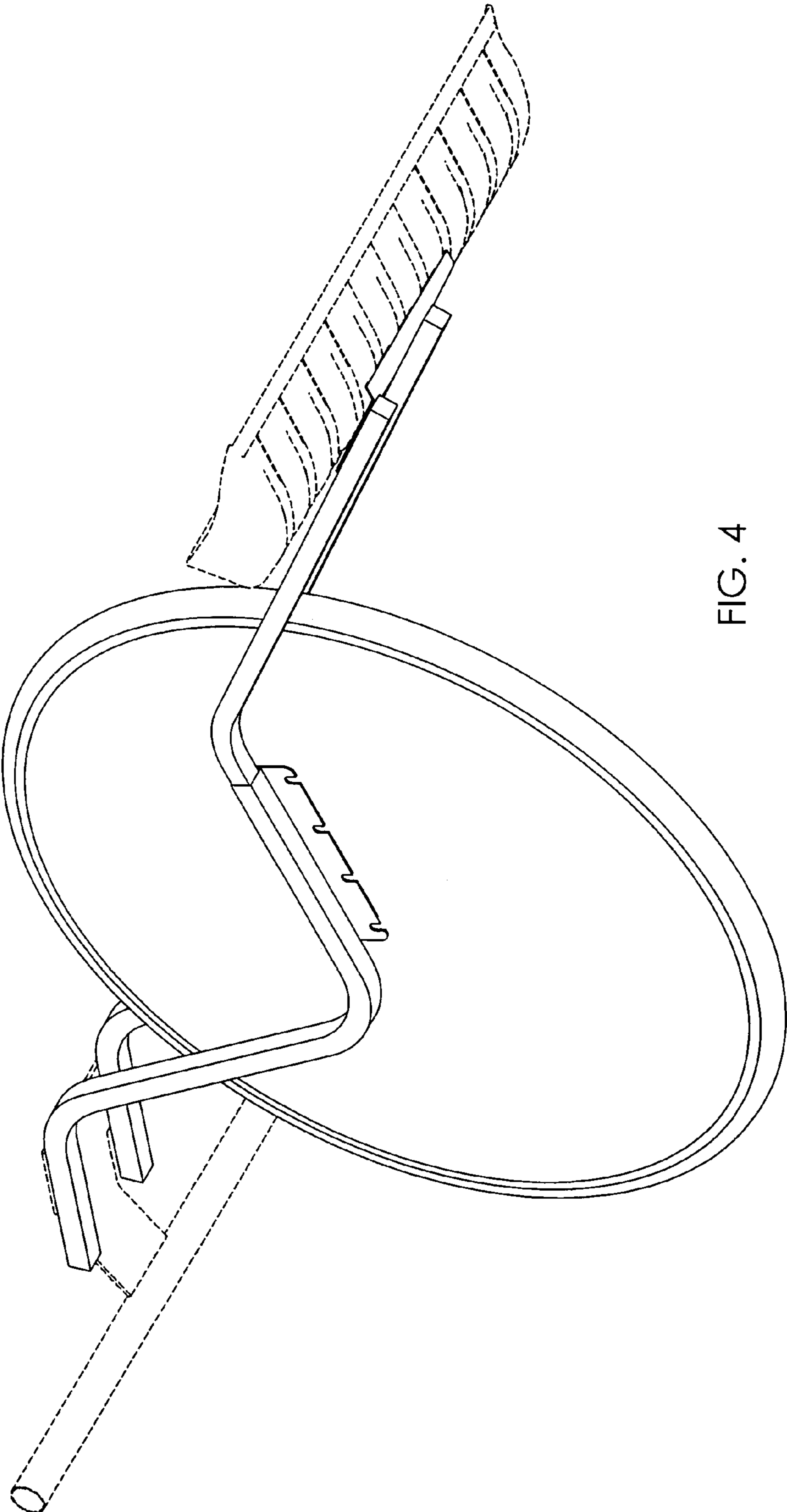


FIG. 4

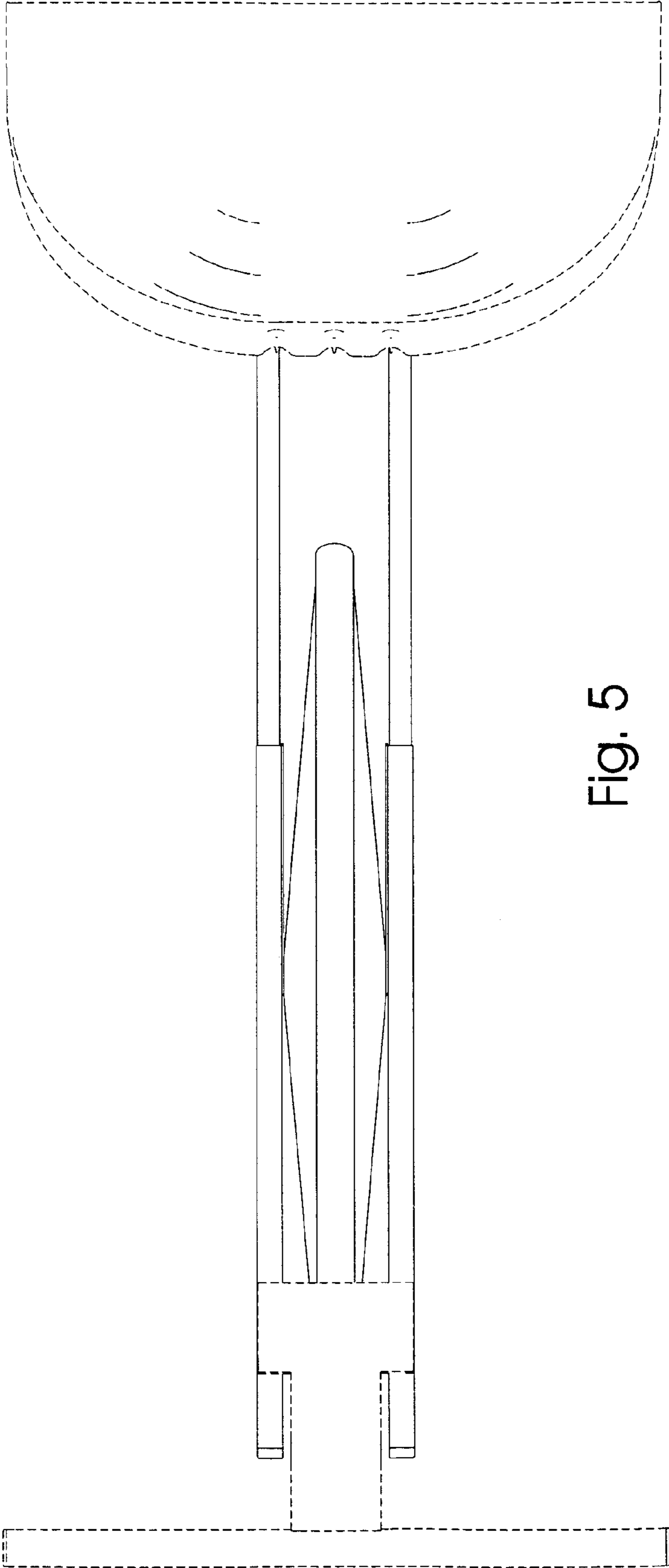


Fig. 5

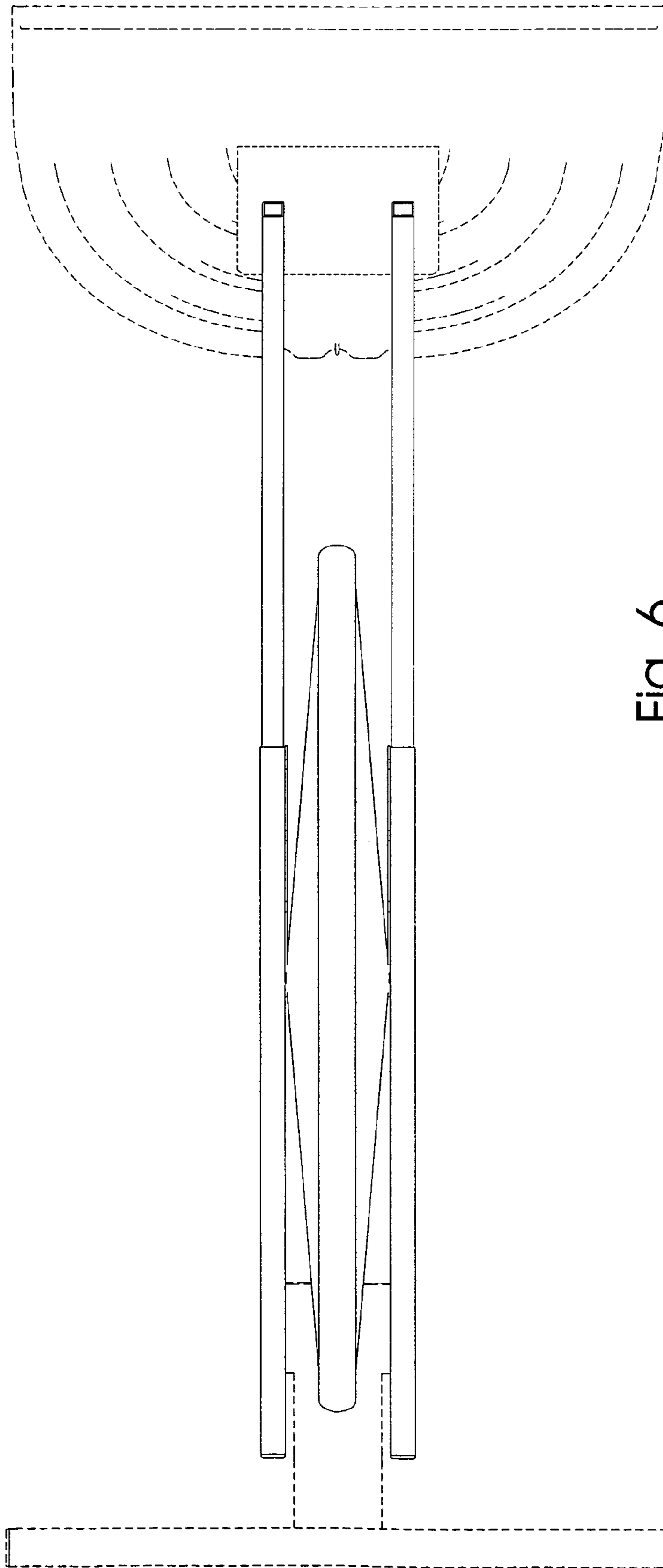


Fig. 6



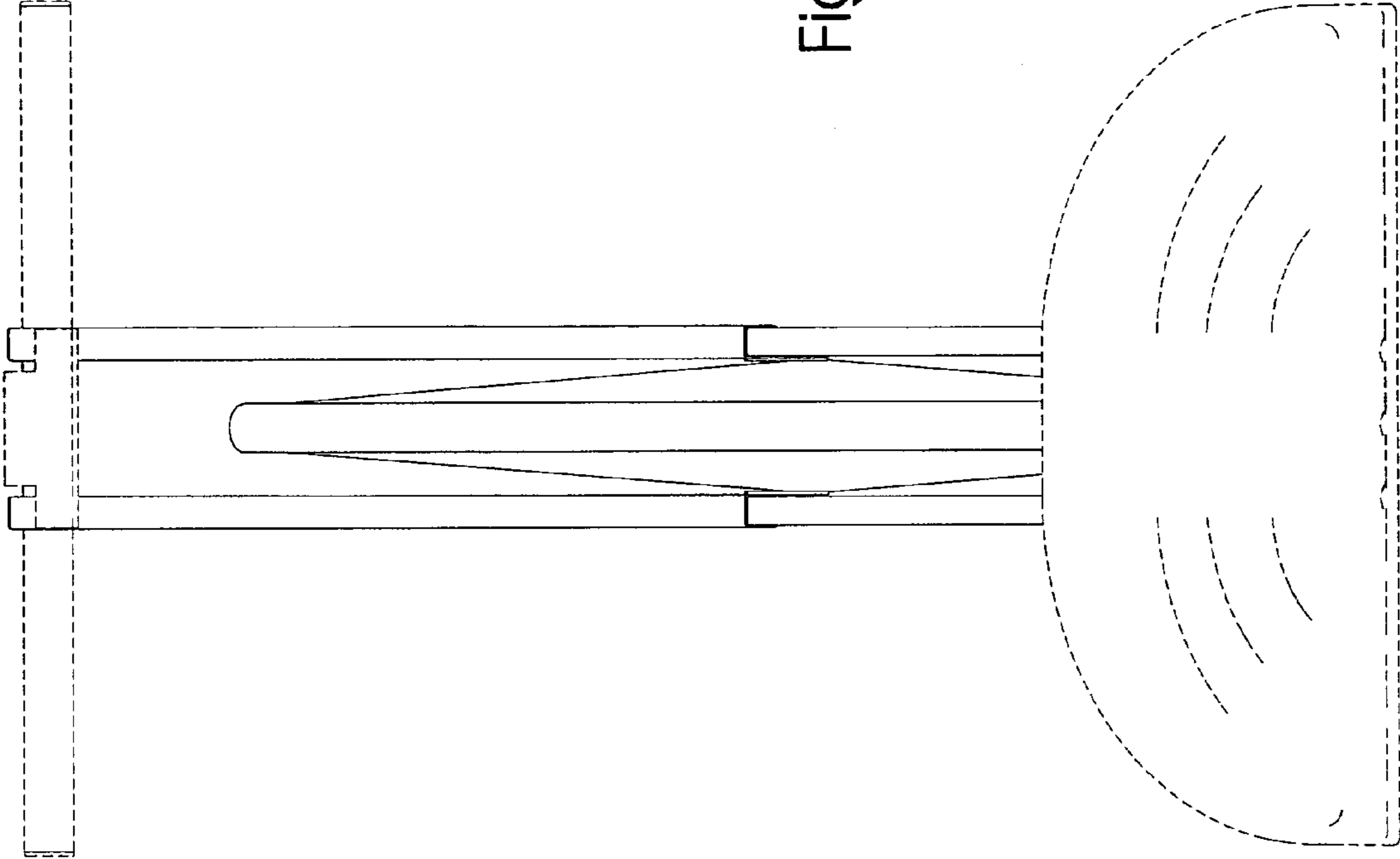


Fig. 7

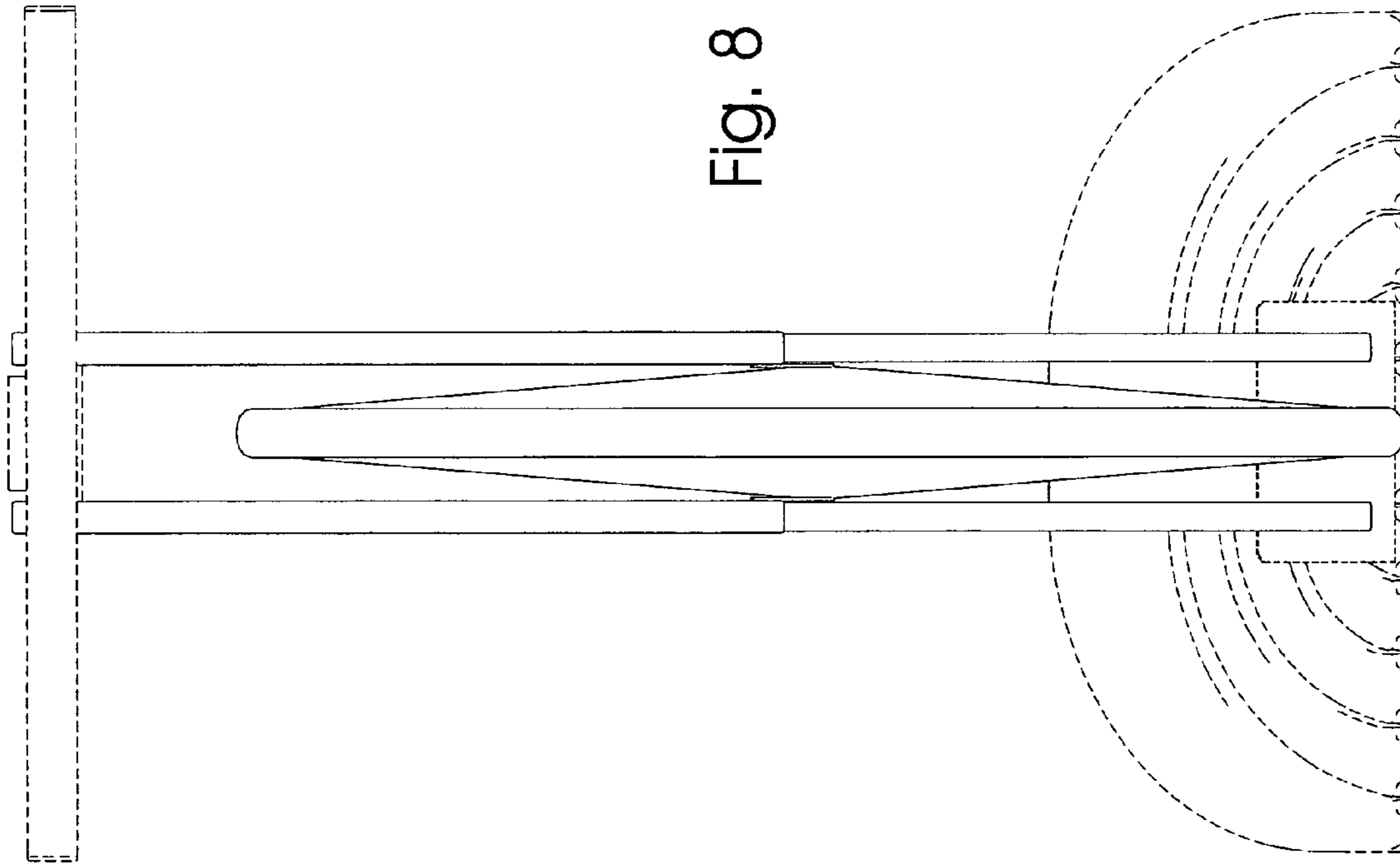


Fig. 8

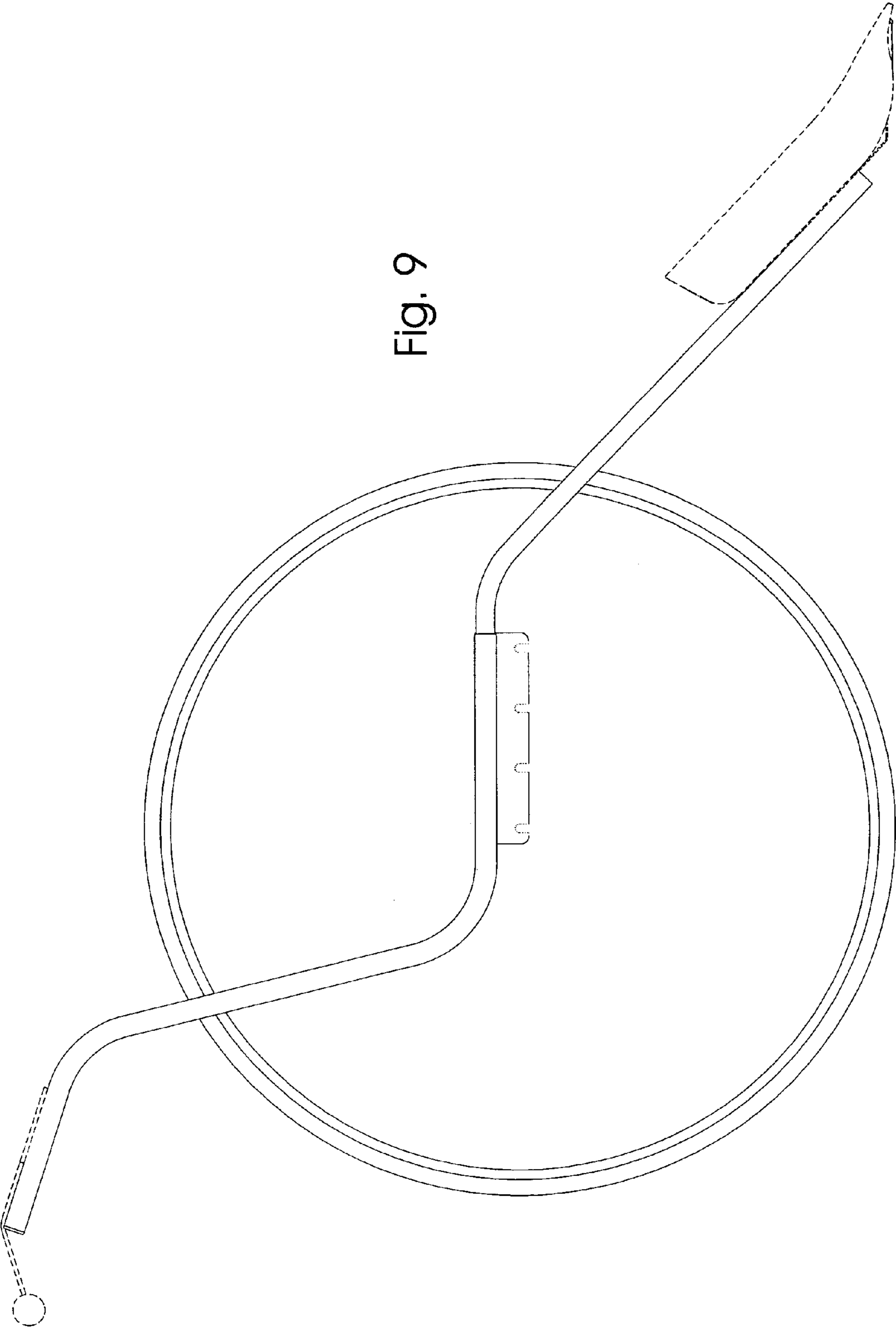


Fig. 9

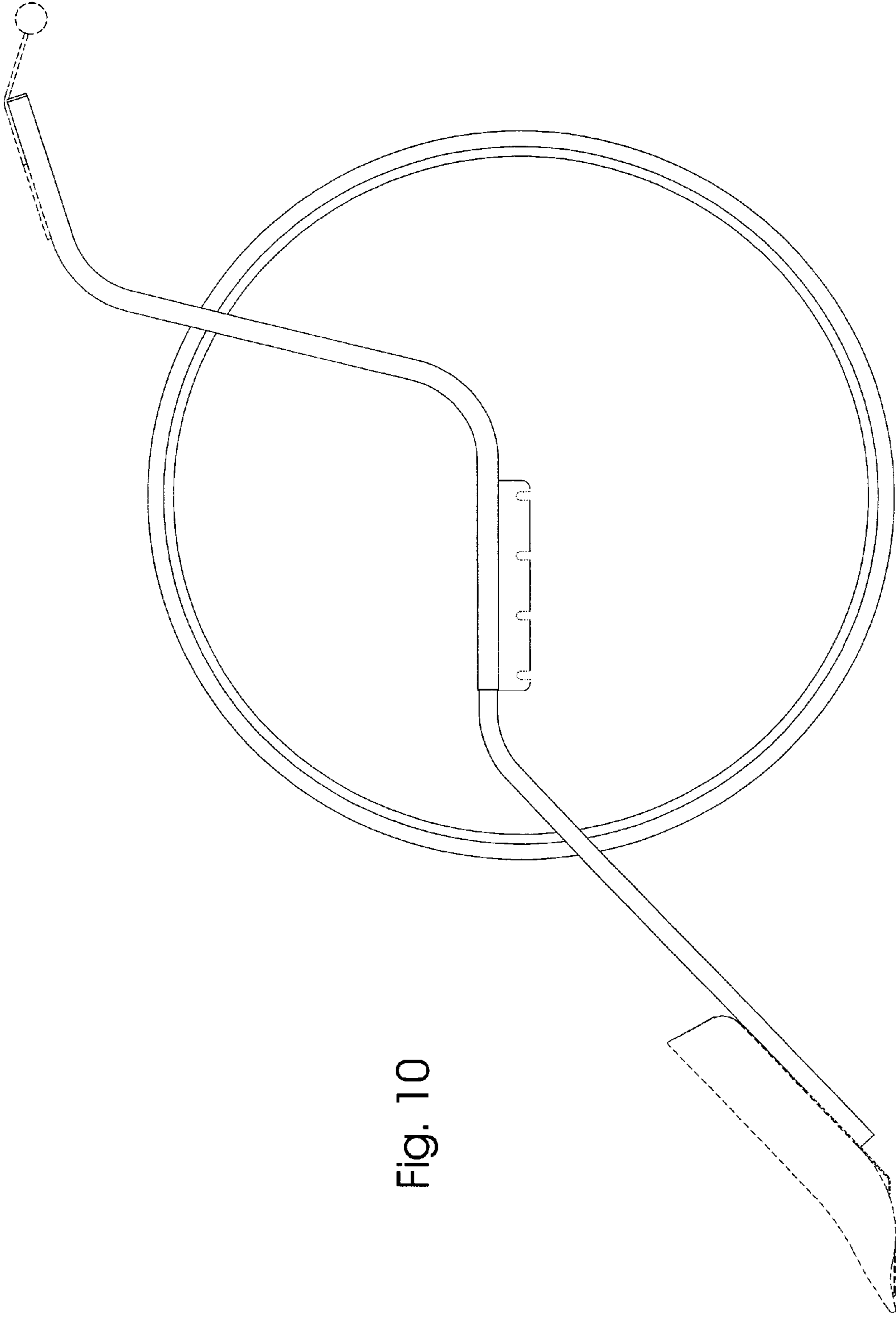


Fig. 10