



US00D546143S

(12) **United States Design Patent** (10) **Patent No.:** **US D546,143 S**
Lipscomb et al. (45) **Date of Patent:** **** Jul. 10, 2007**

(54) **CONNECTOR FOR A HAND TOOL** D531,467 S * 11/2006 Farley D8/9

(75) Inventors: **Daniel J. Lipscomb**, Prairie du Sac, WI (US); **Karen Baer**, Waunakee, WI (US); **Anthony W. Konkler**, Lodi, WI (US)

* cited by examiner

Primary Examiner—Holly H. Baynham
Assistant Examiner—Sheryl Friedman
(74) *Attorney, Agent, or Firm*—Foley & Lardner LLP

(73) Assignee: **Fiskars Brands, Inc.**, Madison, WI (US)

(57) **CLAIM**

(**) Term: **14 Years**

We claim the ornamental design for a connector for a hand tool, as shown and described.

(21) Appl. No.: **29/233,496**

(22) Filed: **Jul. 5, 2005**

DESCRIPTION

(51) **LOC (8) Cl.** **08-01**

FIG. 1 is a perspective view of the claimed design.

(52) **U.S. Cl.** **D8/9**

FIG. 2 is a front elevation view of the claimed design.

(58) **Field of Classification Search** D8/7,

FIG. 3 is a rear elevation view of the claimed design.

D8/9, 95, 98; 30/144, 166.3

FIG. 4 is a right side elevation view of the claimed design.

See application file for complete search history.

FIG. 5 is a left side elevation view of the claimed design.

(56) **References Cited**

FIG. 6 is a top view of the claimed design on an enlarged scale; and,

U.S. PATENT DOCUMENTS

FIG. 7 is a bottom view of the claimed design on an enlarged scale.

- D307,381 S * 4/1990 Kirkpatrick et al. D8/95
- 5,168,693 A 12/1992 Ingvarlsen
- 5,241,752 A 9/1993 Lutzke et al.
- D346,937 S * 5/1994 Backman D8/7
- 5,911,481 A * 6/1999 Yost 30/125
- 6,526,664 B2 3/2003 Cech
- D526,171 S * 8/2006 Farley D8/9
- D530,164 S * 10/2006 Farley D8/9

The ornamental design which is claimed is shown in solid lines in the drawings. The broken lines in the drawings are for illustrative purposes only and form no part of the claimed design.

1 Claim, 4 Drawing Sheets

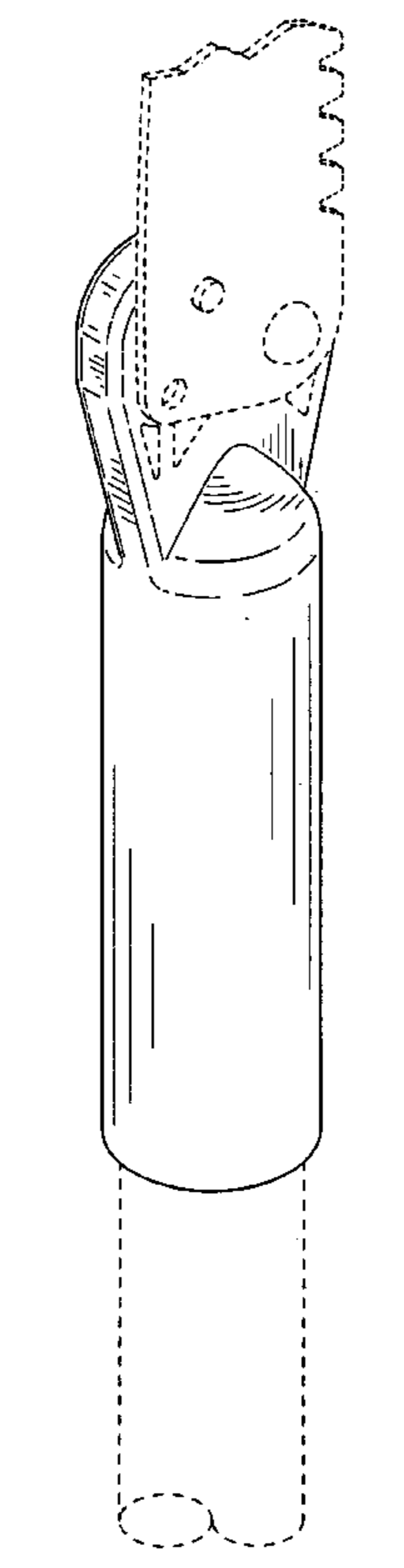


FIGURE 1

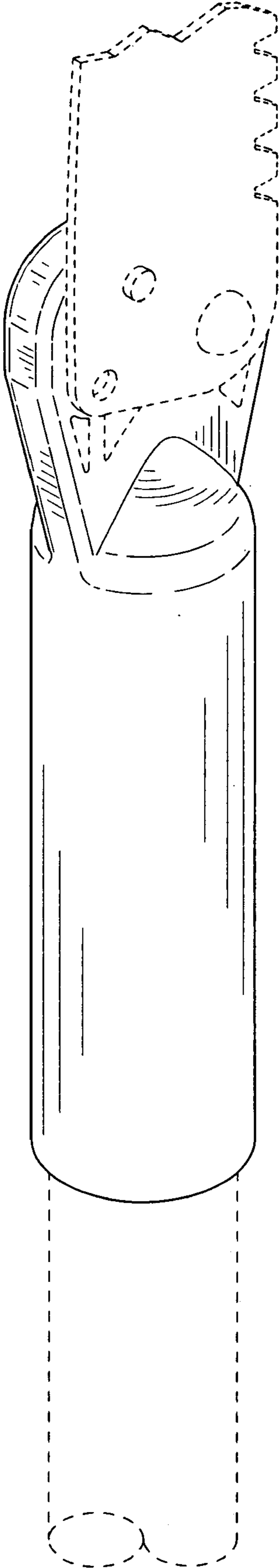


FIGURE 2

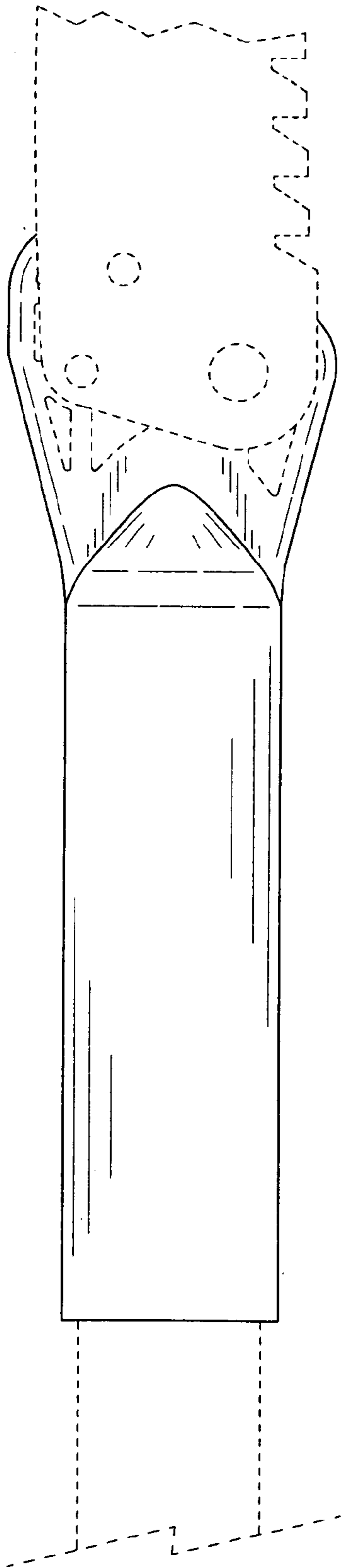


FIGURE 3

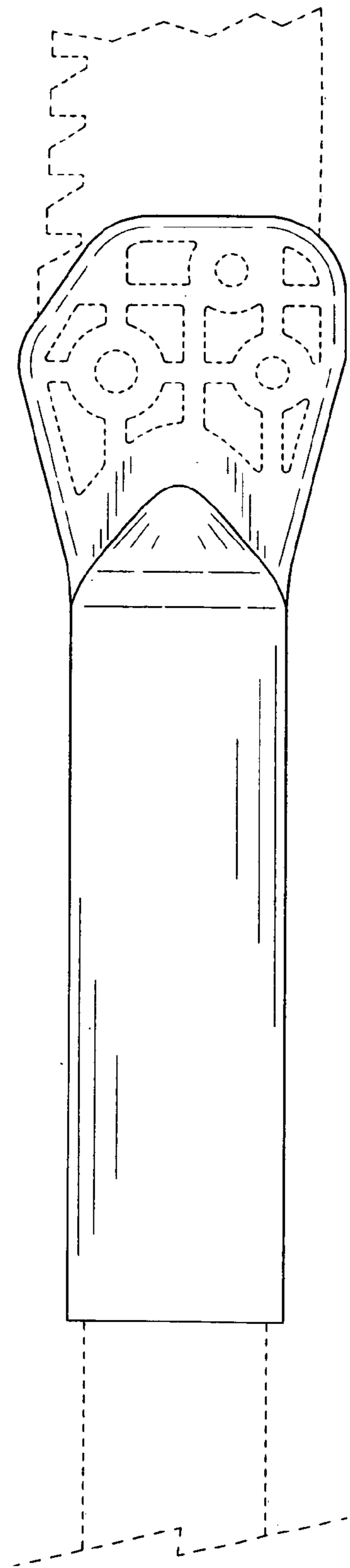


FIGURE 4

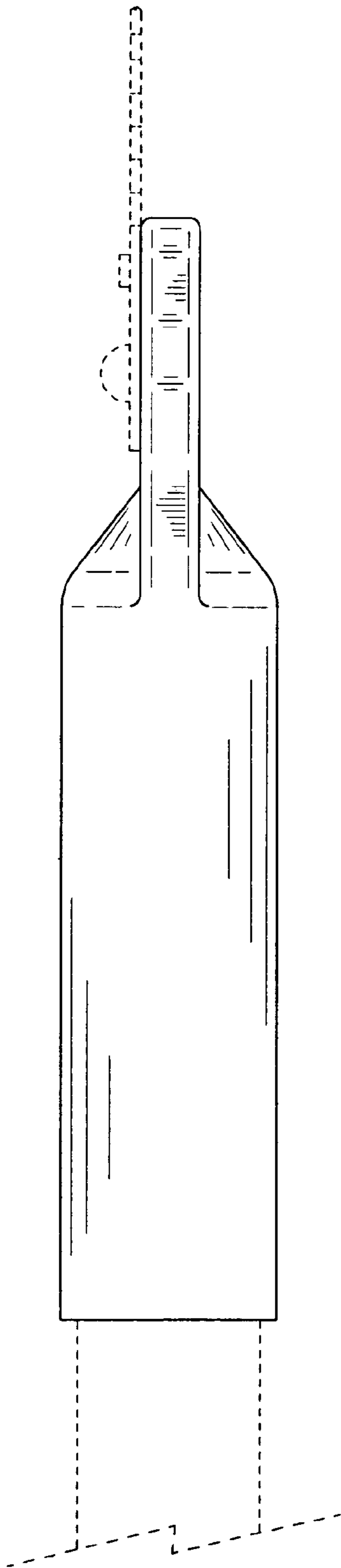
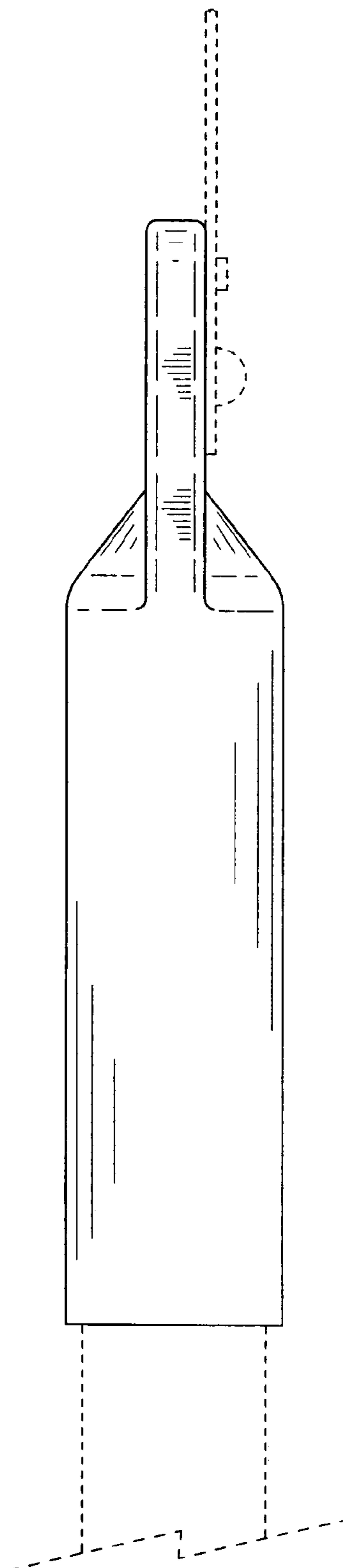


FIGURE 5



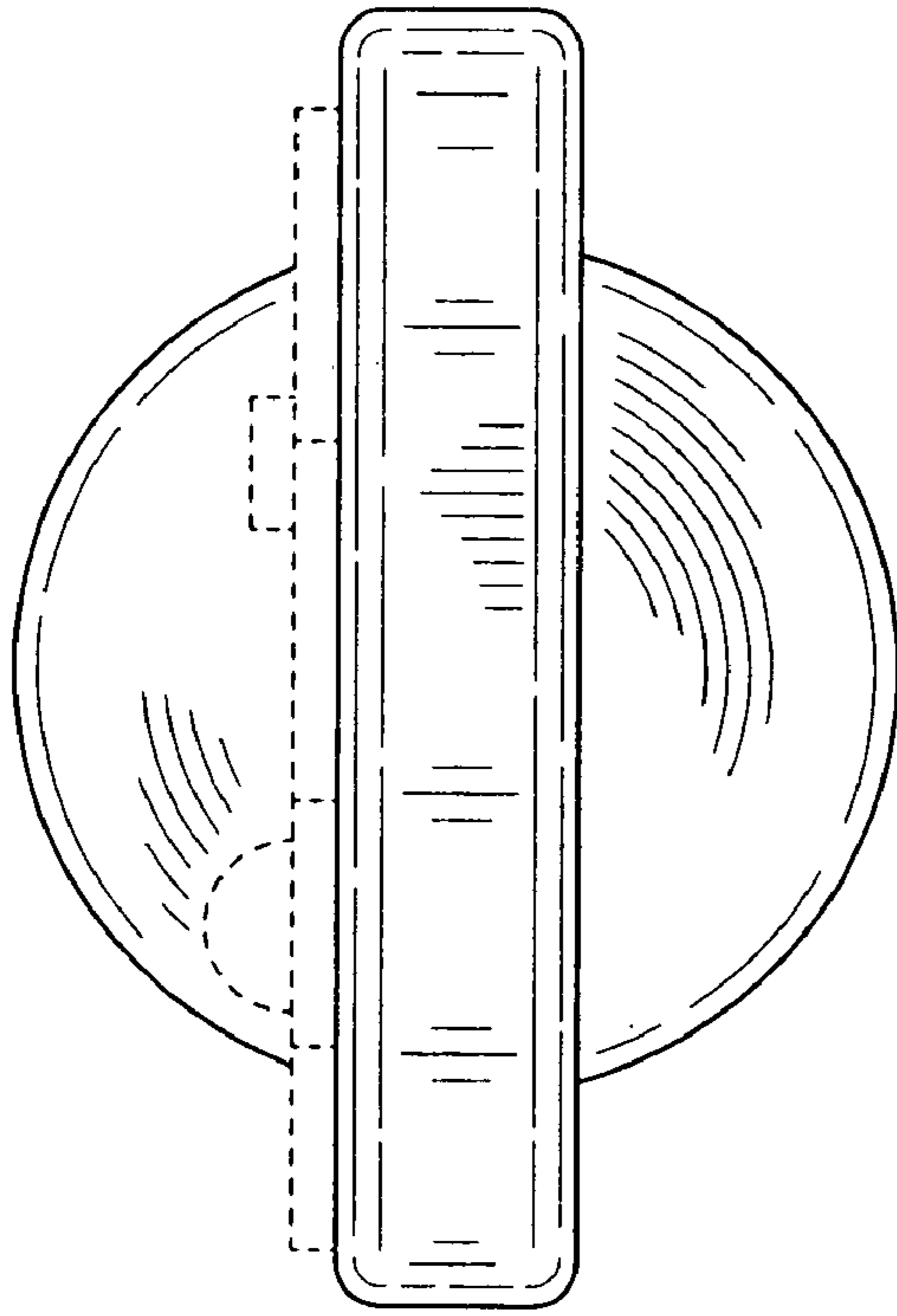


FIGURE 6

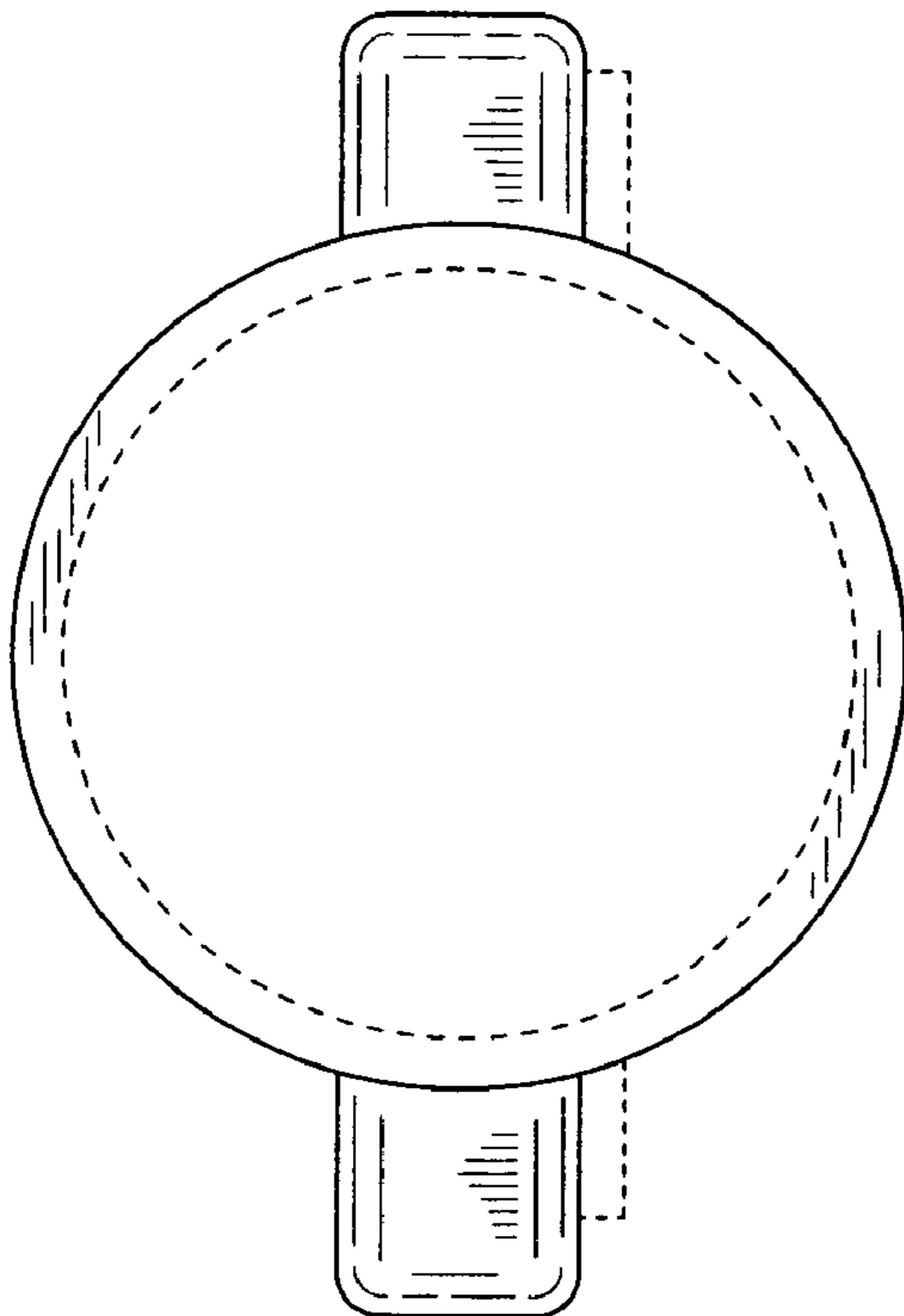


FIGURE 7