



US00D546141S

(12) **United States Design Patent**
Broome

(10) **Patent No.:** **US D546,141 S**

(45) **Date of Patent:** **** Jul. 10, 2007**

(54) **COOKING TONGS**

(76) Inventor: **Claire Broome**, 5 Park La., Constantia
7806 (ZA)

(**) Term: **14 Years**

(21) Appl. No.: **29/239,265**

(22) Filed: **Sep. 27, 2005**

(51) **LOC (8) Cl.** **07-06**

(52) **U.S. Cl.** **D7/686**

(58) **Field of Classification Search** D7/683-687;
30/324-328; 294/3, 8.5, 11, 16, 99.1, 99.2,
294/118, 119

See application file for complete search history.

(56) **References Cited**

U.S. PATENT DOCUMENTS

1,765,974 A * 6/1930 Foltis 294/99.2

3,259,415 A * 7/1966 Howard 294/99.2

D298,398 S * 11/1988 Trahar D7/687

* cited by examiner

Primary Examiner—Terry A. Wallace

(74) *Attorney, Agent, or Firm*—Smith-Hill and Bedell

(57) **CLAIM**

The ornamental design for cooking tongs, as shown and described.

DESCRIPTION

FIG. 1 is a perspective view from the front and left side of cooking tongs showing my new design,

FIG. 2 is a perspective view thereof from the rear and left side,

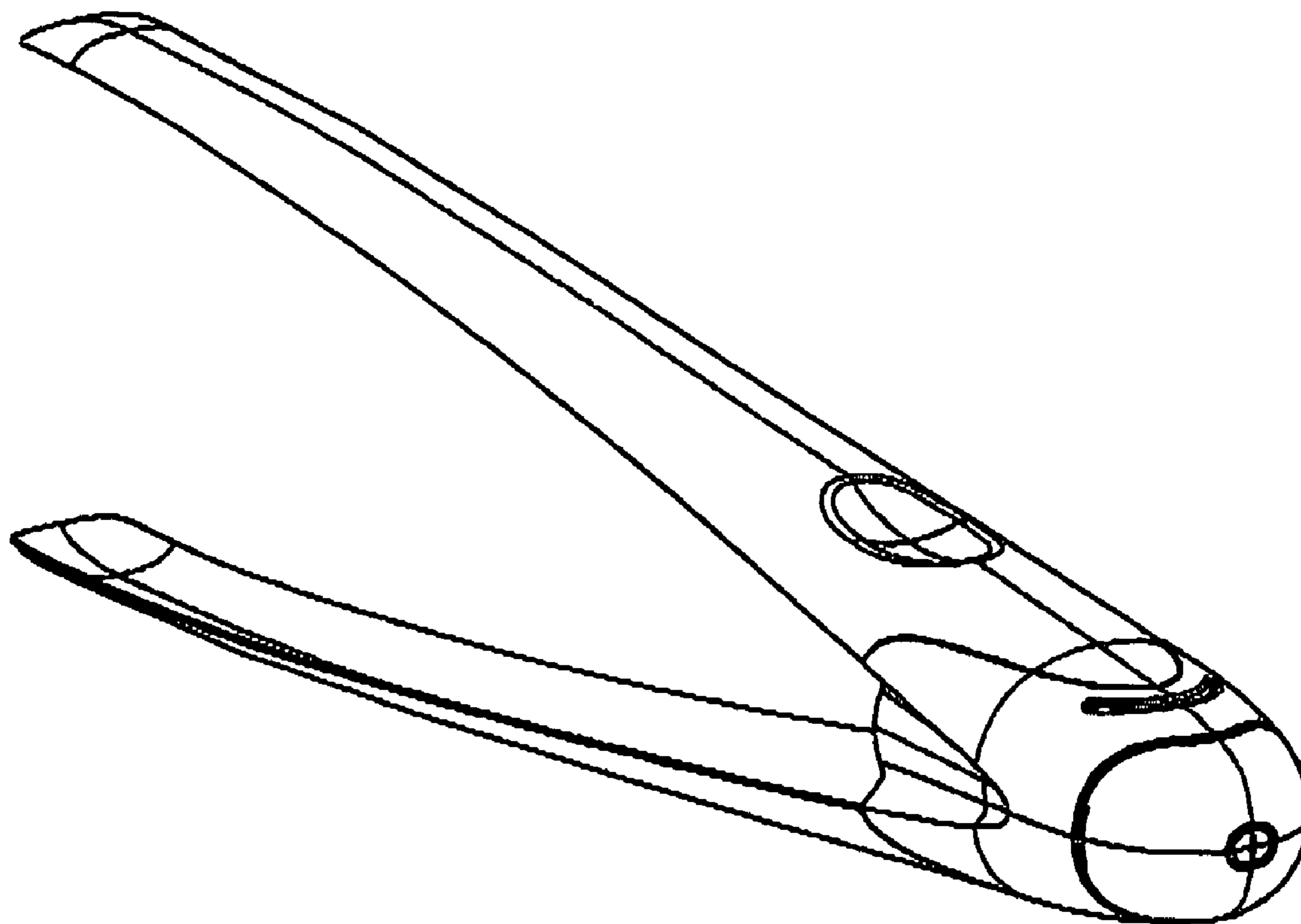
FIG. 3 is a top plan view thereof, the bottom plan corresponding,

FIG. 4 is a right side elevation thereof,

FIG. 5 is a front elevation thereof; and,

FIG. 6 is a rear elevation thereof.

1 Claim, 2 Drawing Sheets



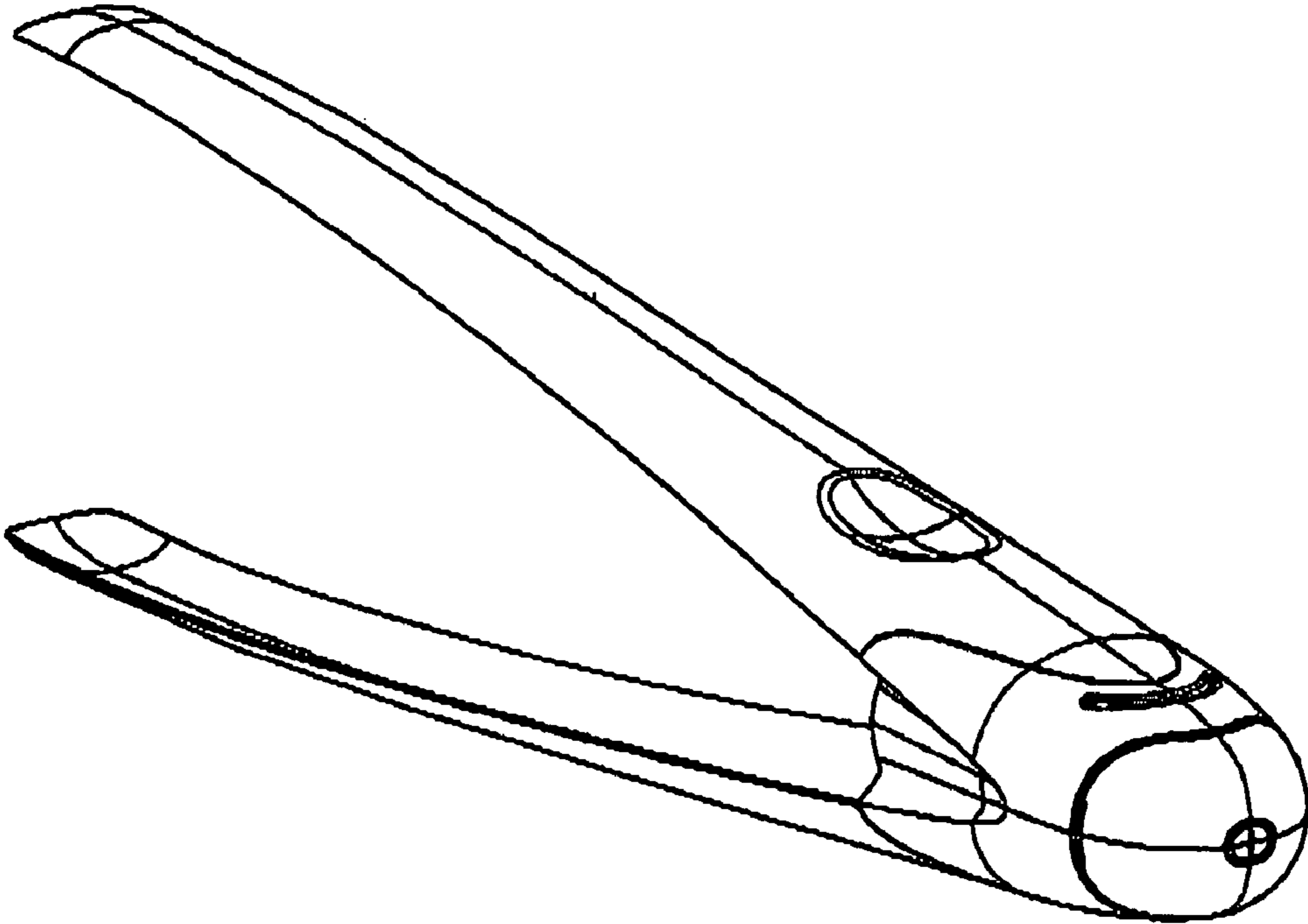


FIG. 1

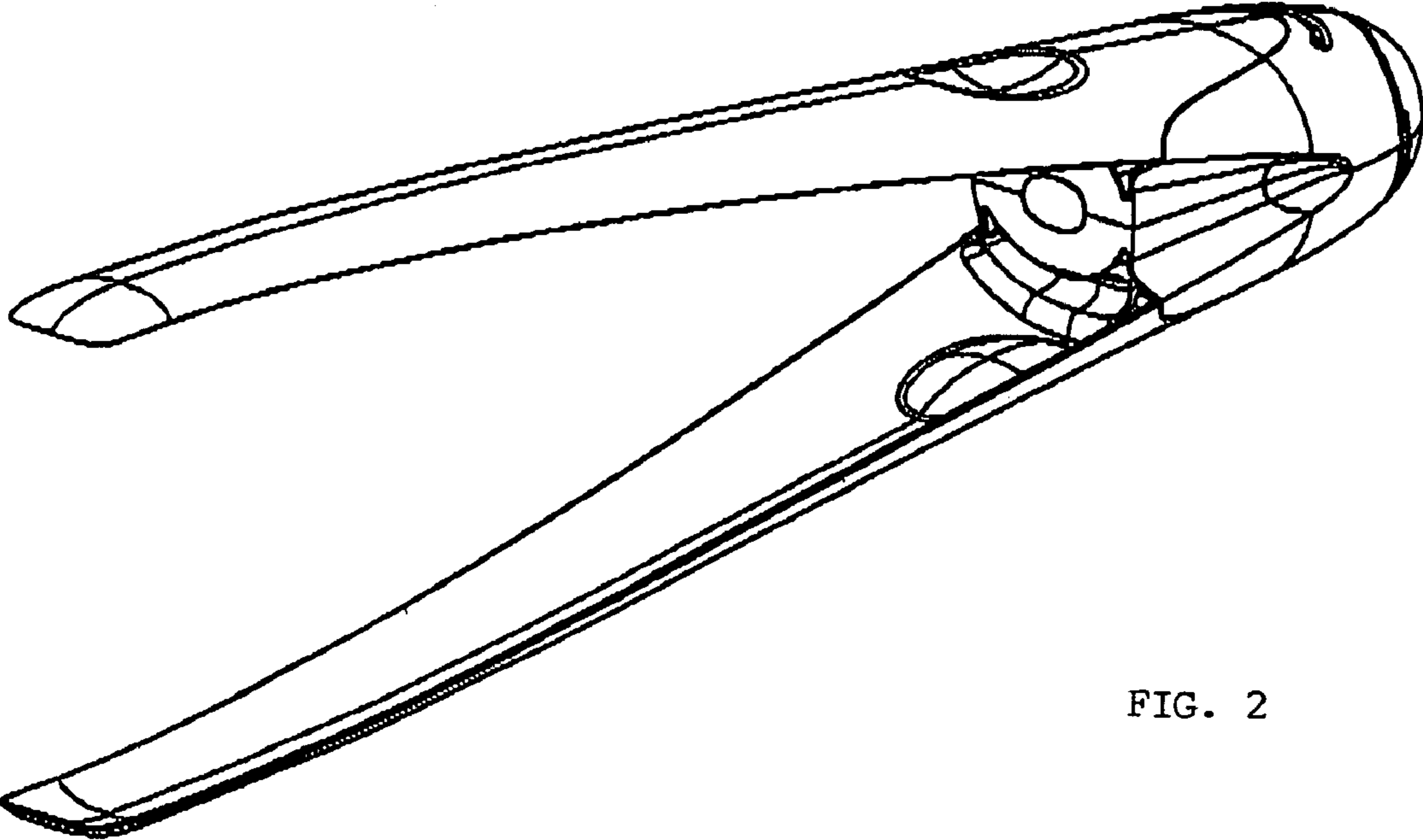


FIG. 2

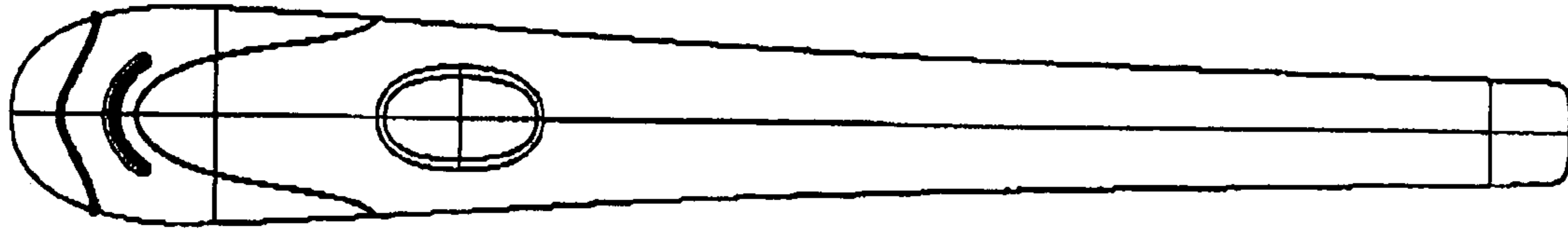


FIG. 3

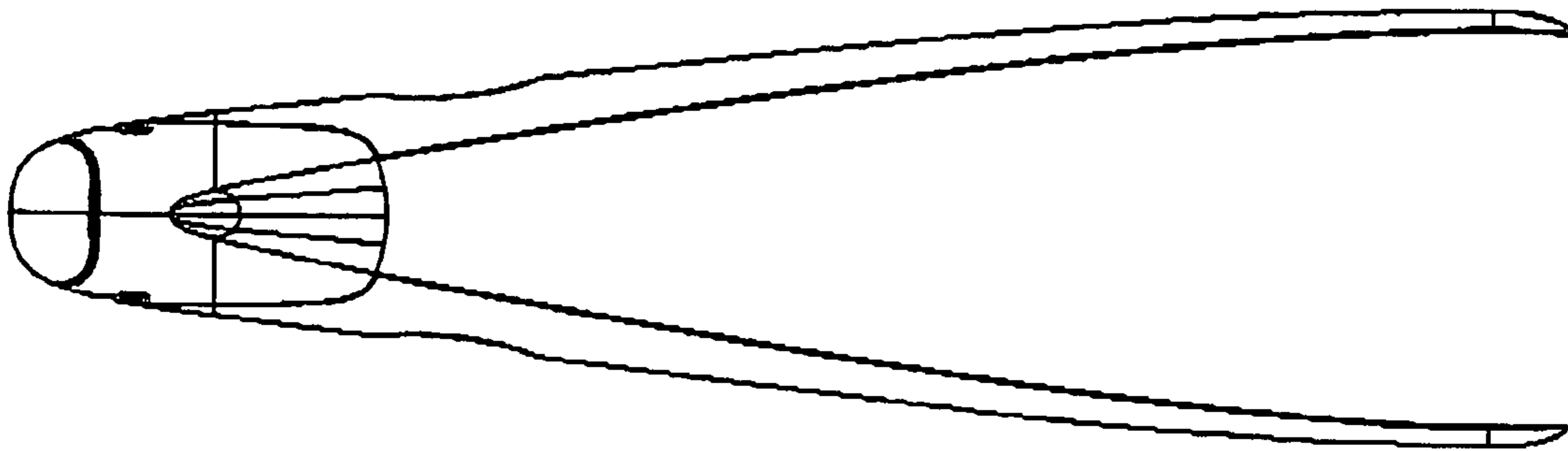


FIG. 4

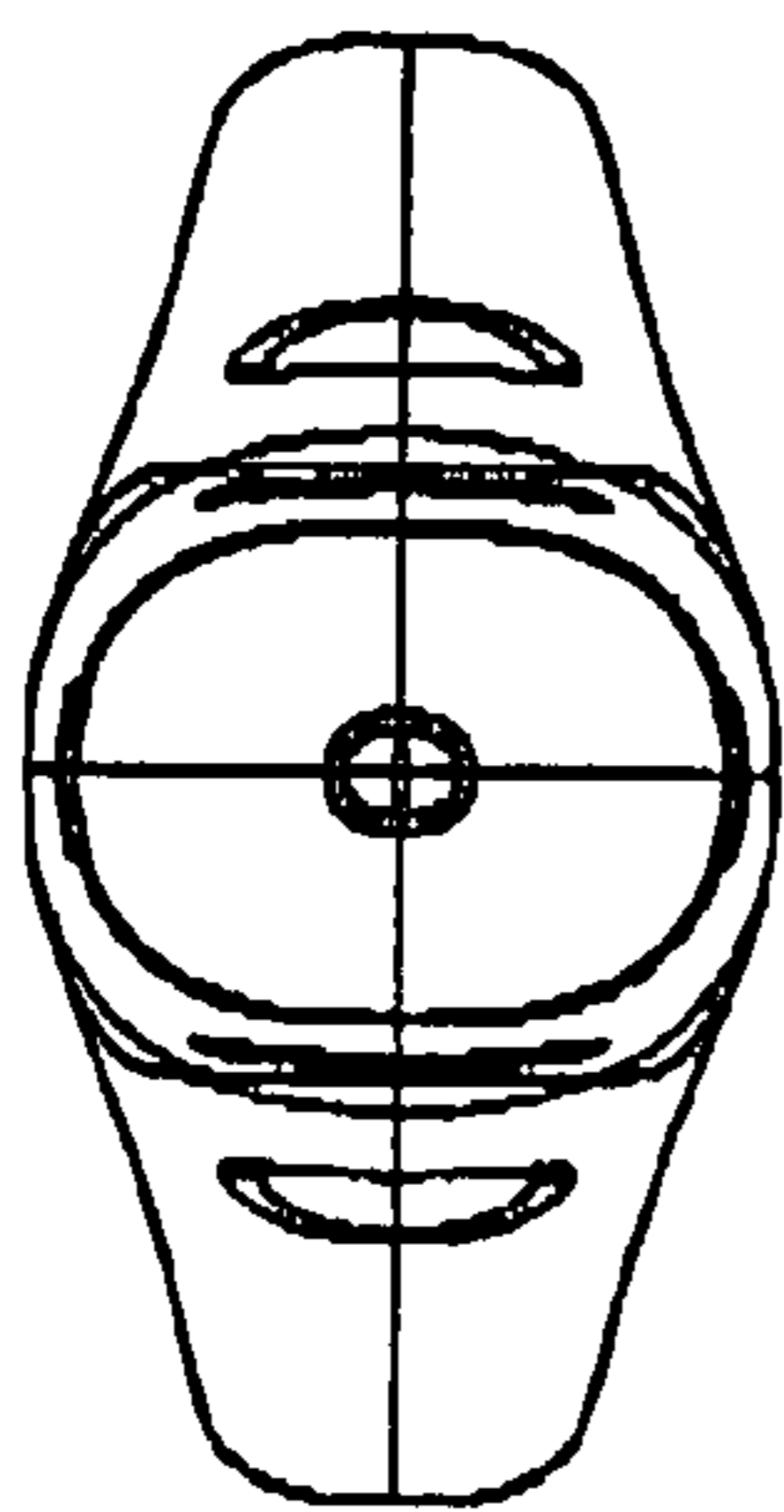


FIG. 5

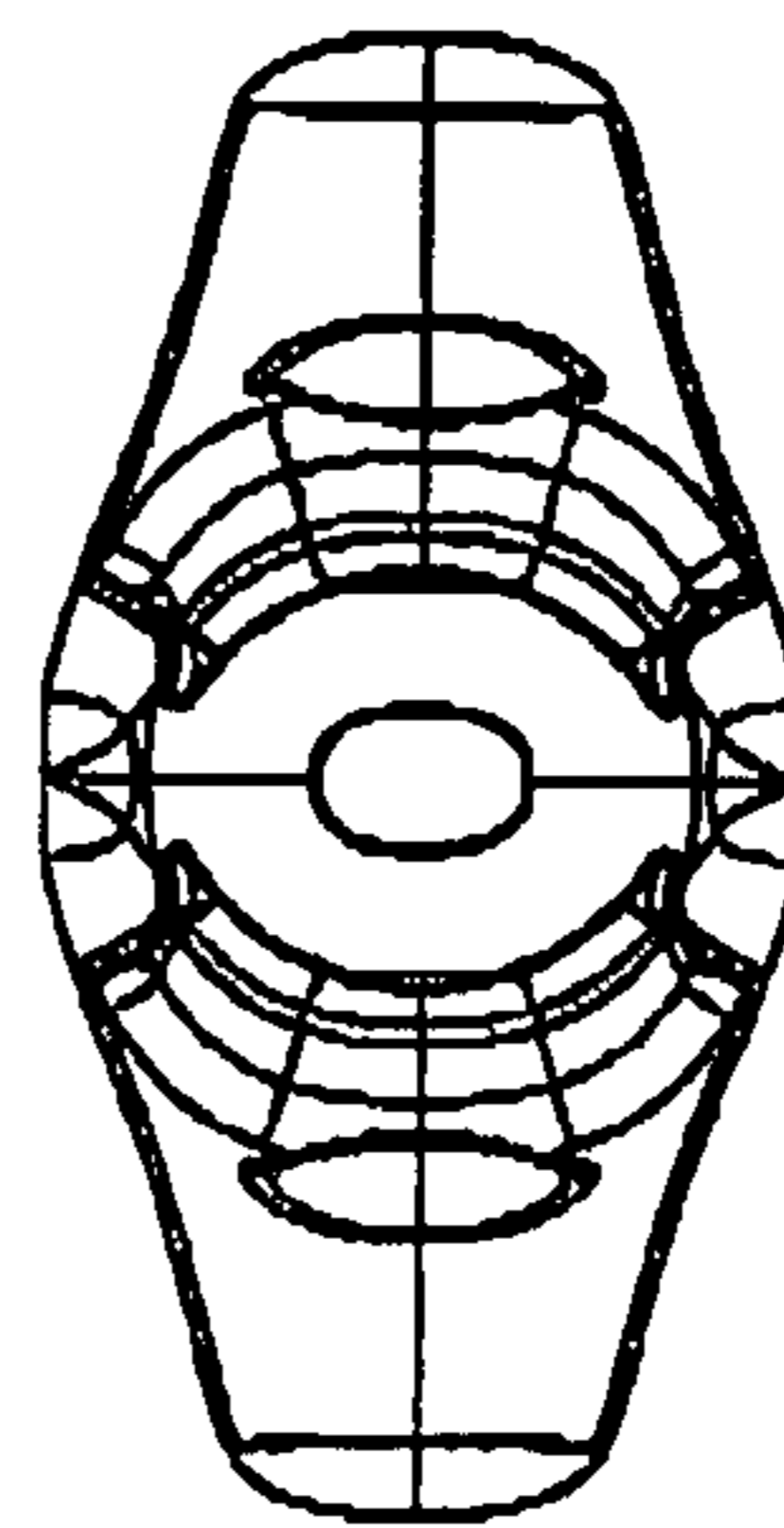


FIG. 6