

US00D546140S

(12) **United States Design Patent**  
**Anzalone**

(10) **Patent No.:** **US D546,140 S**

(45) **Date of Patent:** **\*\* Jul. 10, 2007**

(54) **GEL CUP WITH SCRAPER**

(76) Inventor: **Laura Anzalone**, 121 Summer St., #2,  
Plymouth, MA (US) 02360

(\*\*) Term: **14 Years**

(21) Appl. No.: **29/260,643**

(22) Filed: **May 30, 2006**

(51) **LOC (8) Cl.** ..... **07-04**

(52) **U.S. Cl.** ..... **D7/672; D7/602**

(58) **Field of Classification Search** ..... D7/672-677,  
D7/539-545, 602, 629; D9/715, 716, 737,  
D9/761, 428, 431, 432; 99/430, DIG. 15;  
220/694, 574-575, 780-805; 249/66.1, 77,  
249/112, 127, 133

See application file for complete search history.

(56) **References Cited**

**U.S. PATENT DOCUMENTS**

161,890 A	4/1875	Manning
513,991 A	2/1894	Eiche
580,337 A	4/1897	Tobelman
1,700,062 A	1/1929	Kolber et al.
2,022,828 A	12/1935	Samuel
2,169,733 A	5/1939	Hoppenstand
2,203,091 A	6/1940	Hutchinson
2,340,676 A	2/1944	Mallard
2,570,524 A	10/1951	Clough

2,578,929 A	12/1951	Hall	
2,667,829 A	2/1954	McNutt	
D191,367 S	9/1961	Heuck	
4,076,207 A	2/1978	Austin	
4,471,880 A *	9/1984	Taylor et al.	220/792
4,621,670 A *	11/1986	Yuen	220/801

\* cited by examiner

*Primary Examiner*—Terry A. Wallace

(74) *Attorney, Agent, or Firm*—John P. McGonagle

(57) **CLAIM**

The ornamental design for a gel cup with scraper, as shown and described.

**DESCRIPTION**

FIG. 1 is a top perspective view of a gel cup with scraper embodying my new design;

FIG. 2 is a bottom perspective view thereof;

FIG. 3 is a rear view thereof;

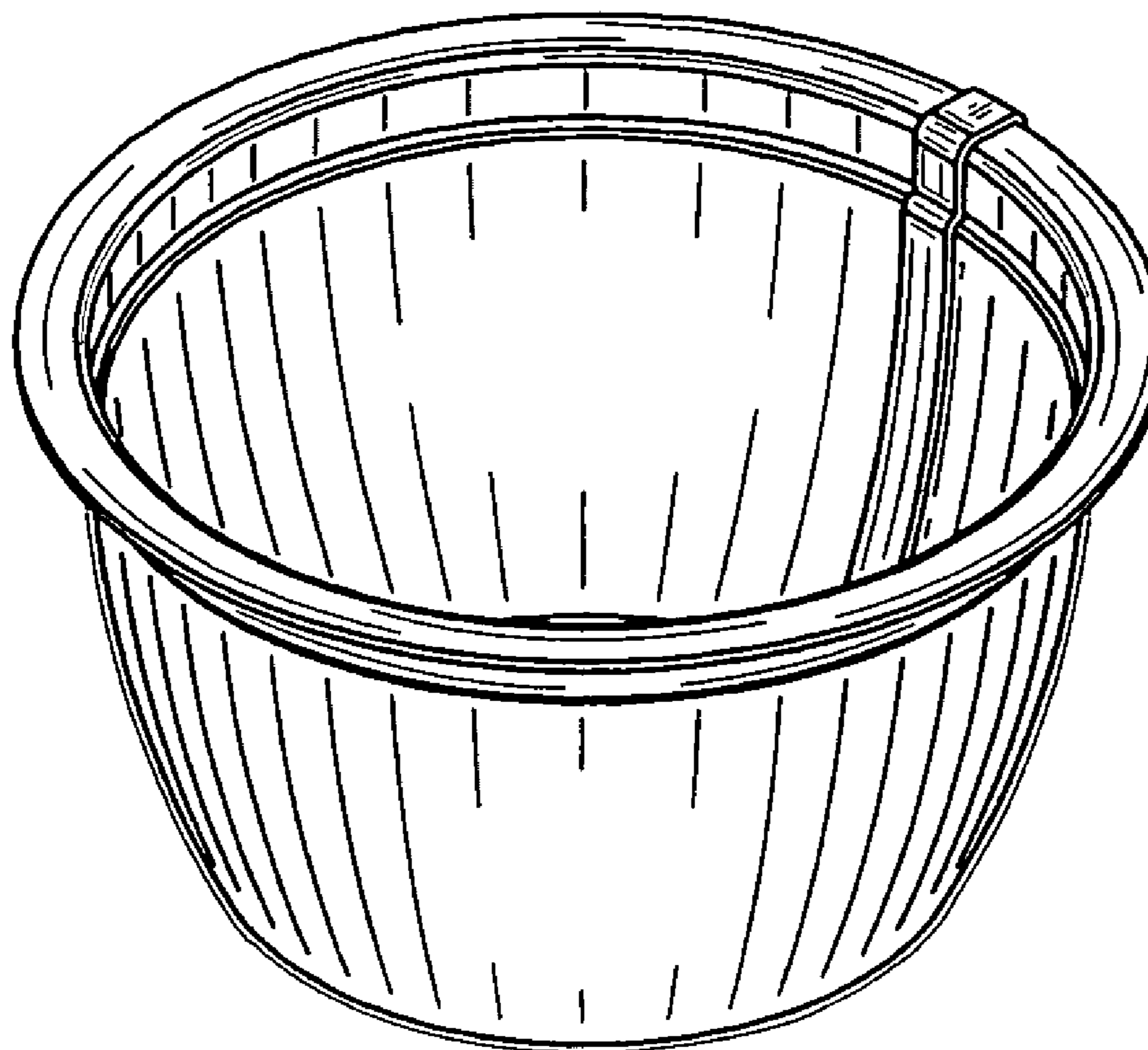
FIG. 4 is a bottom view thereof;

FIG. 5 is a front view thereof;

FIG. 6 is a side view thereof, the opposite side being a mirror image thereof; and,

FIG. 7 is a top view thereof.

**1 Claim, 2 Drawing Sheets**



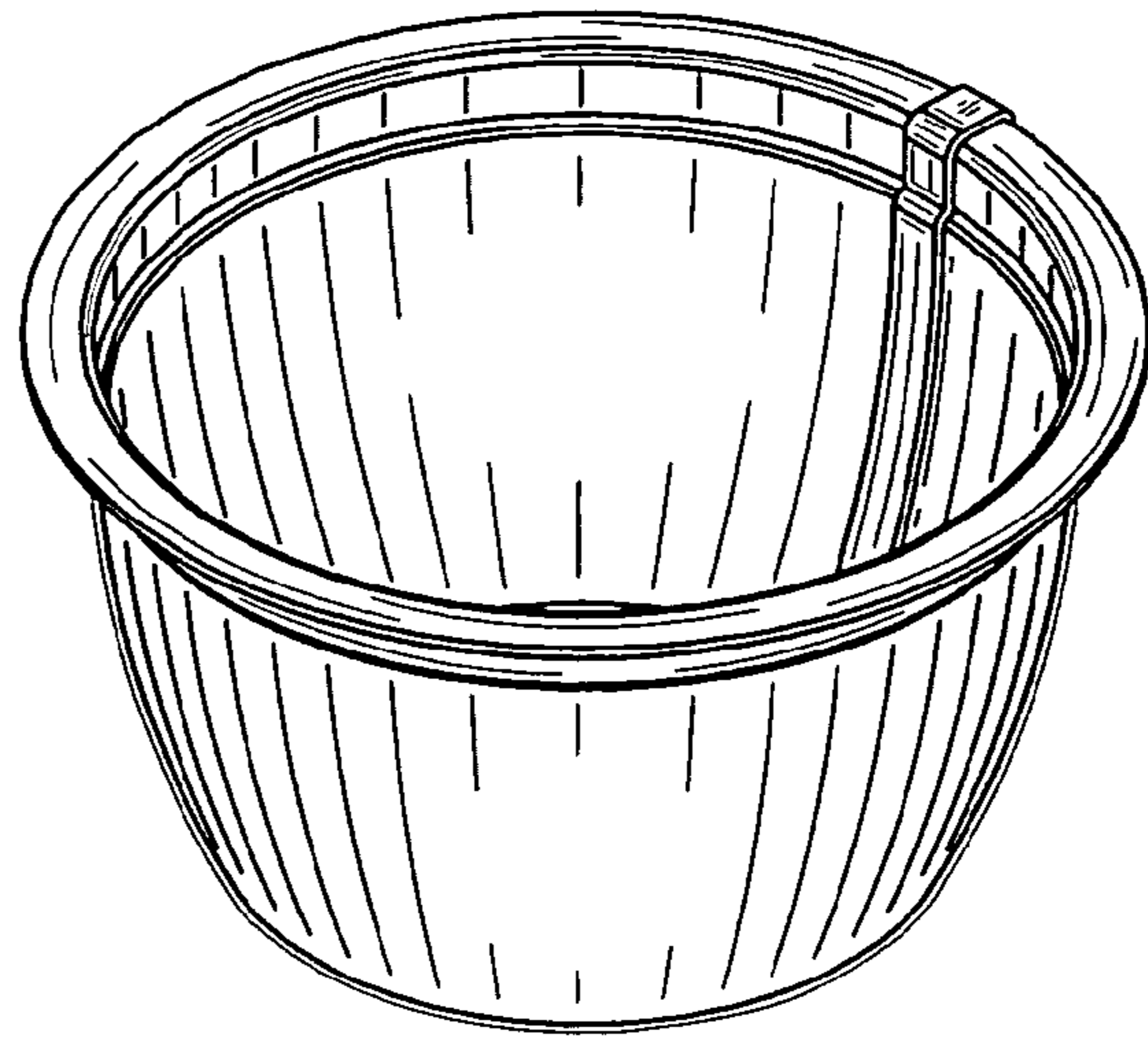


FIG. 1

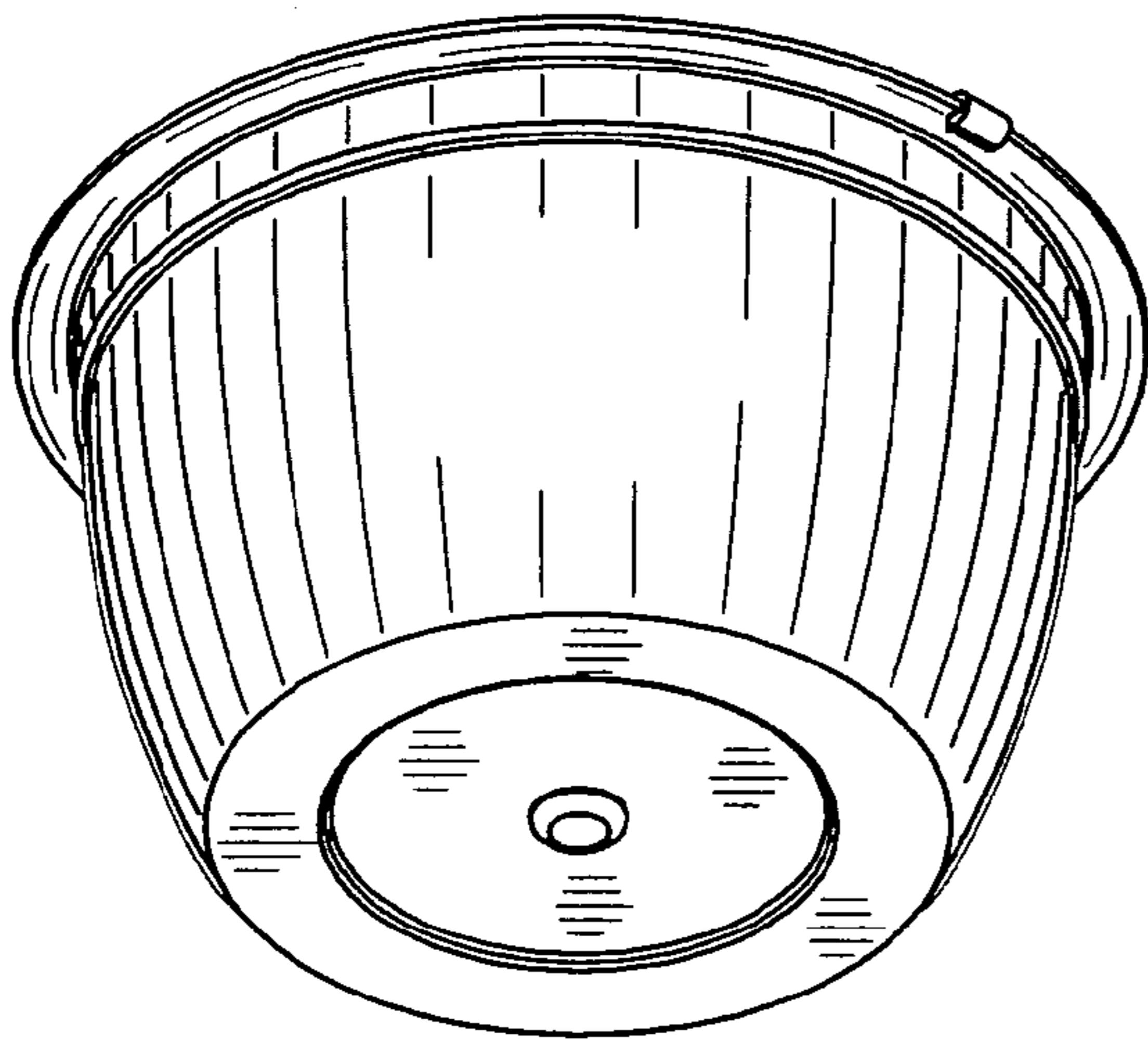


FIG. 2

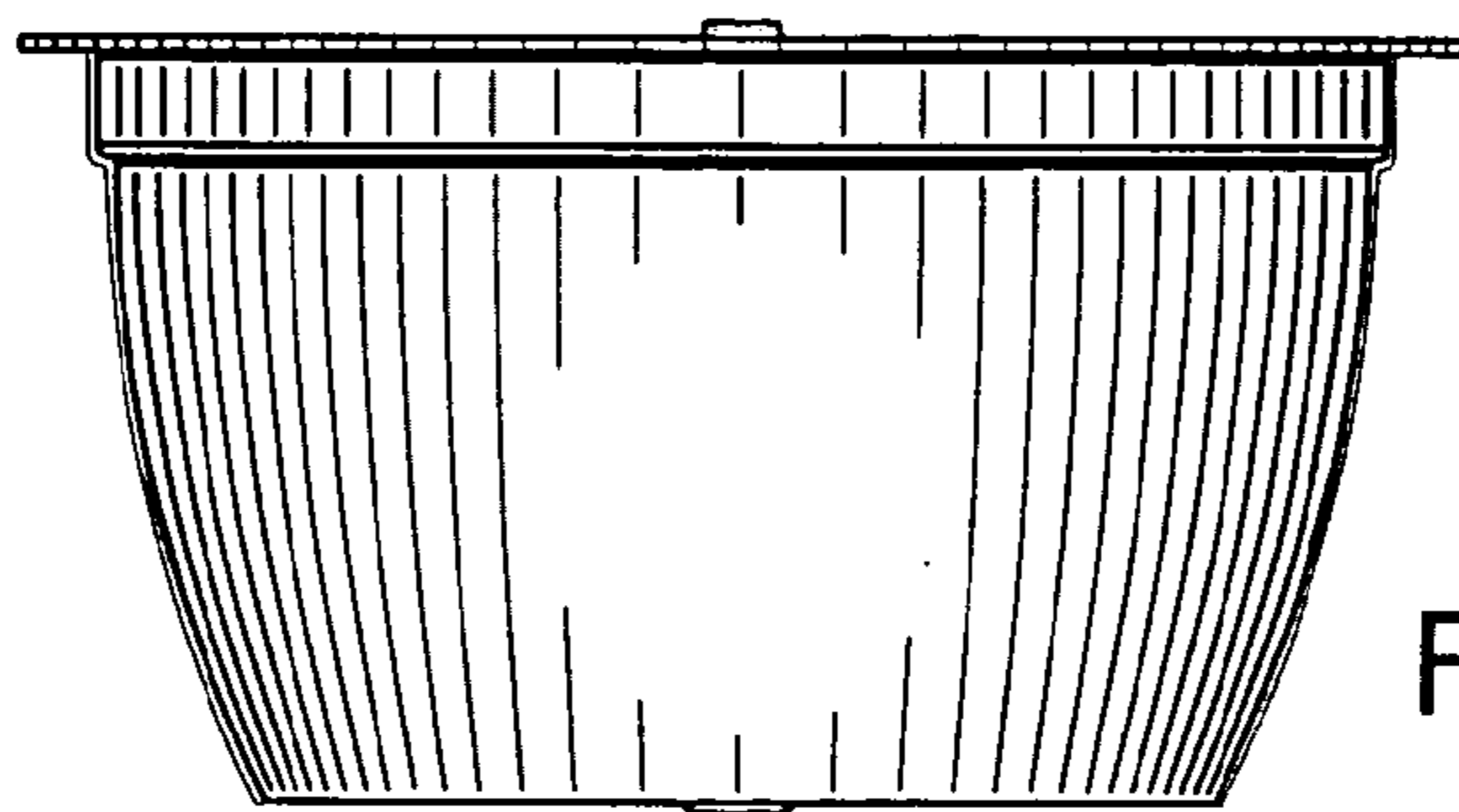


FIG. 3

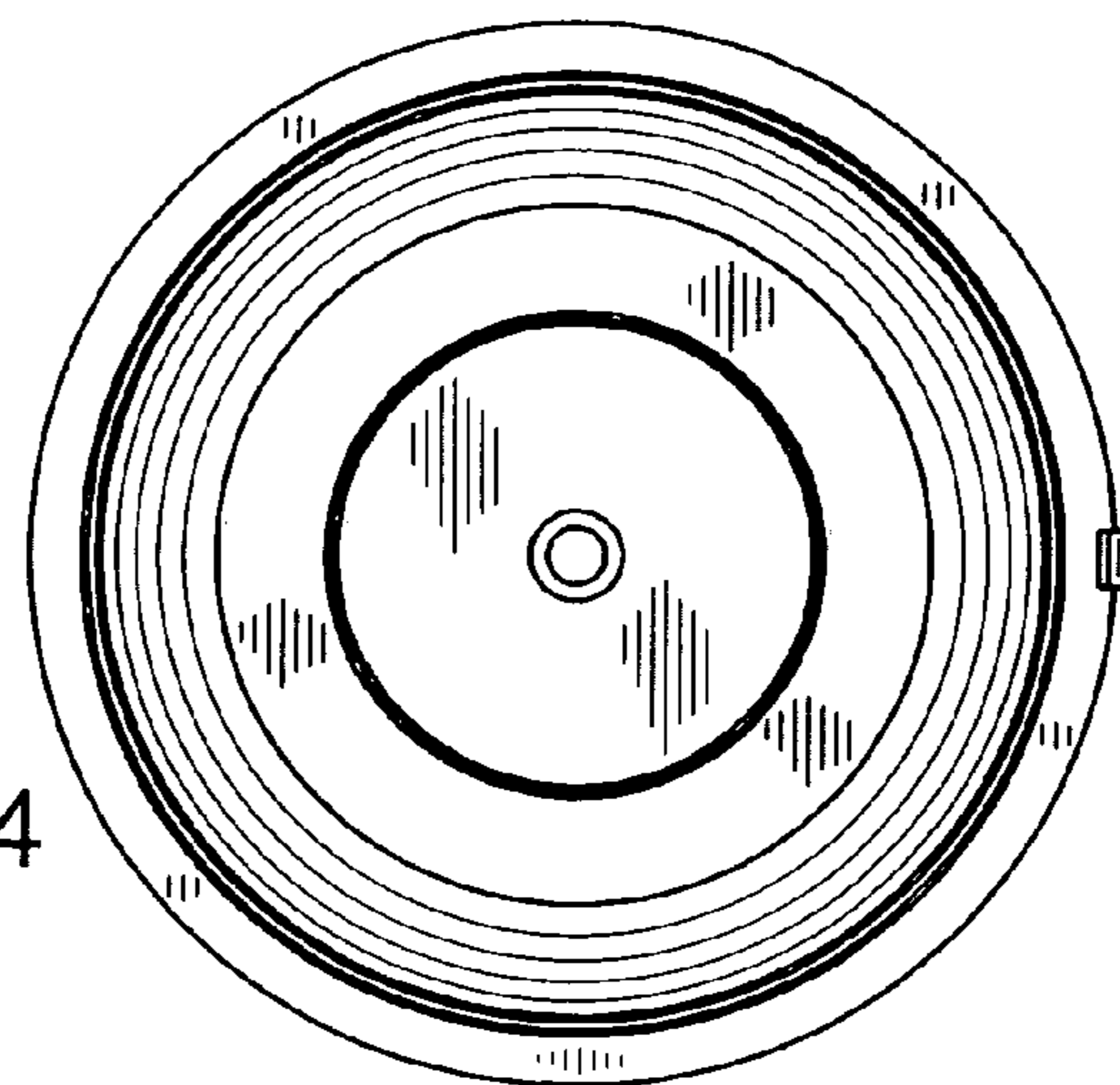


FIG. 4

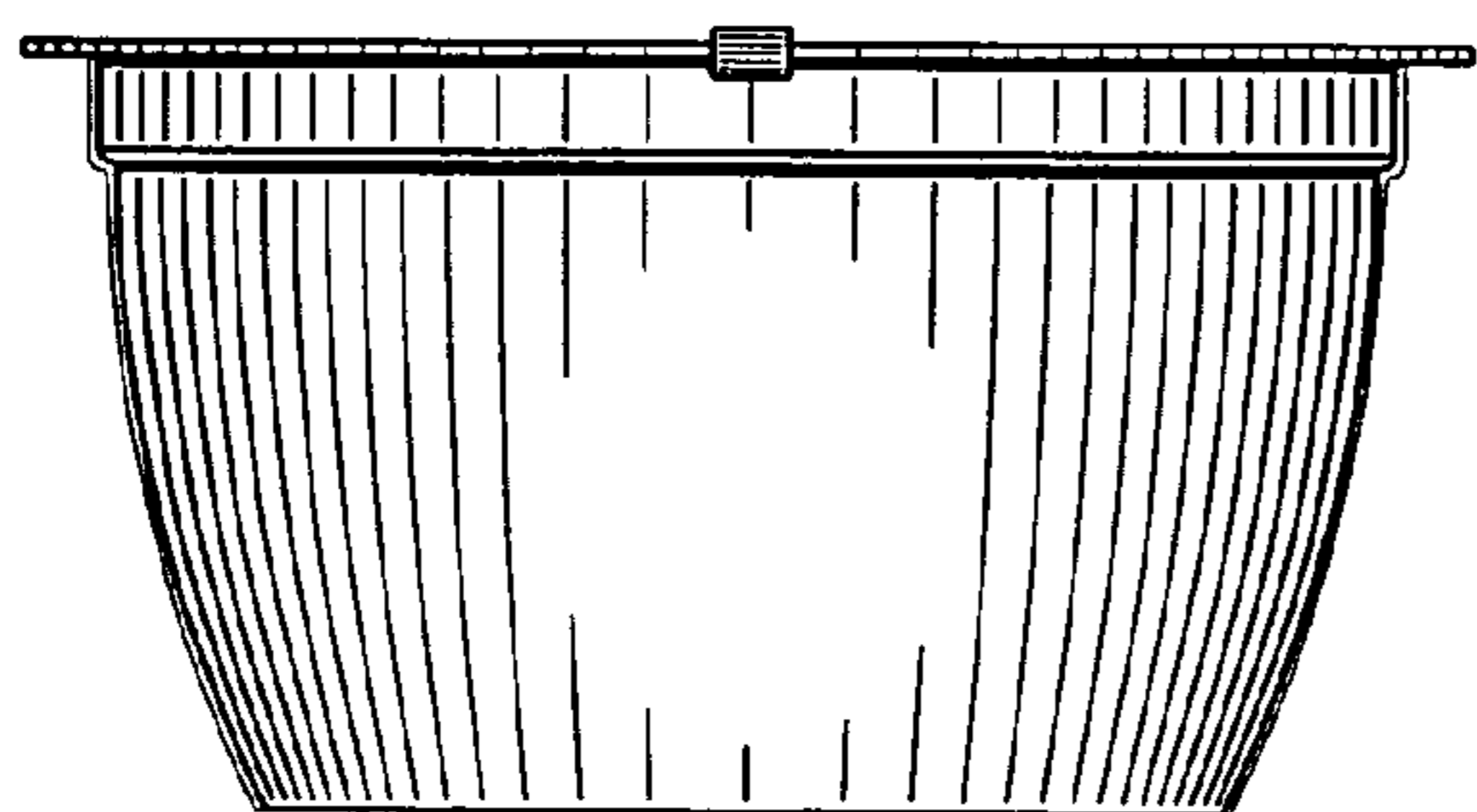


FIG. 5

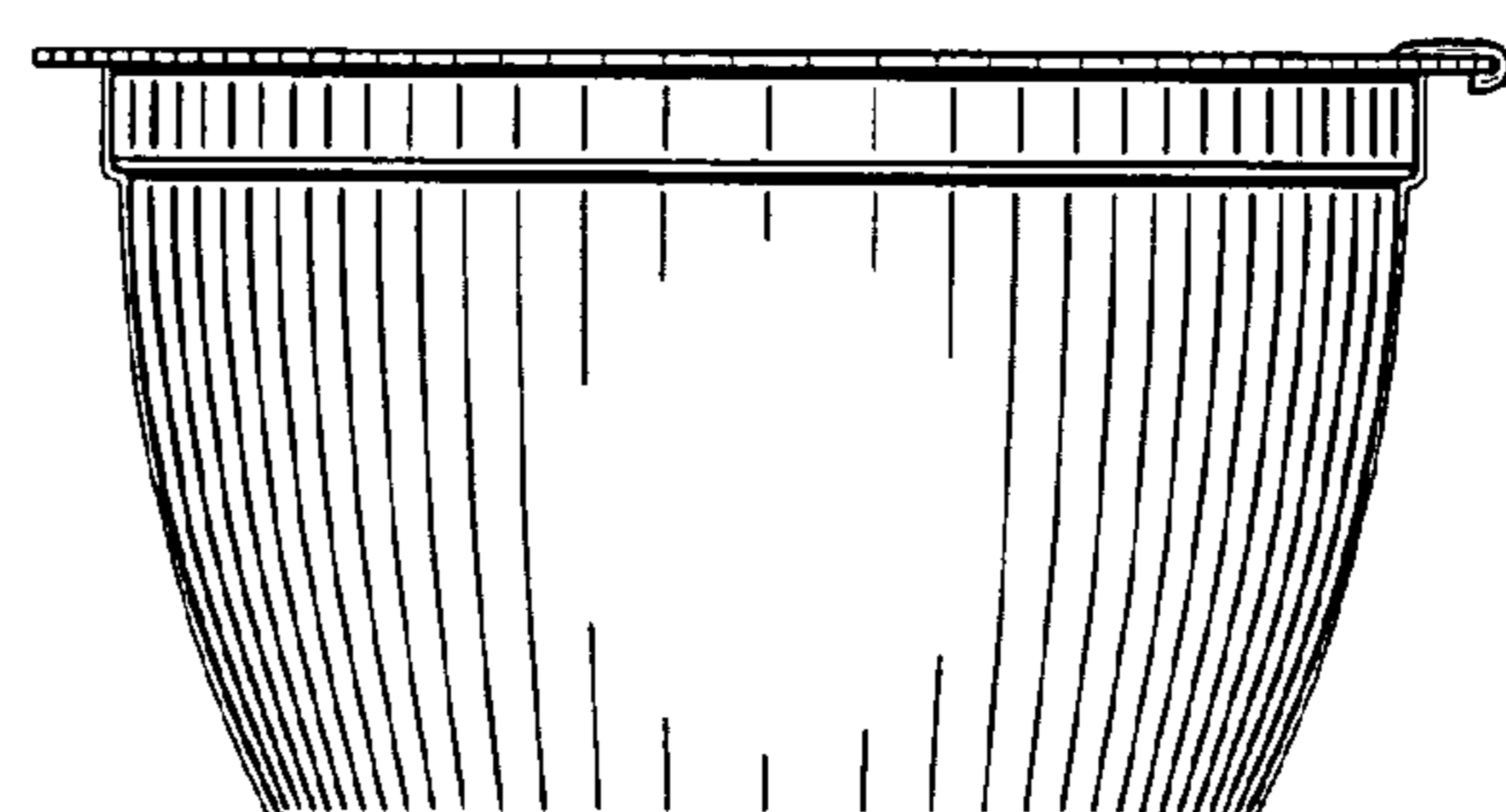


FIG. 6

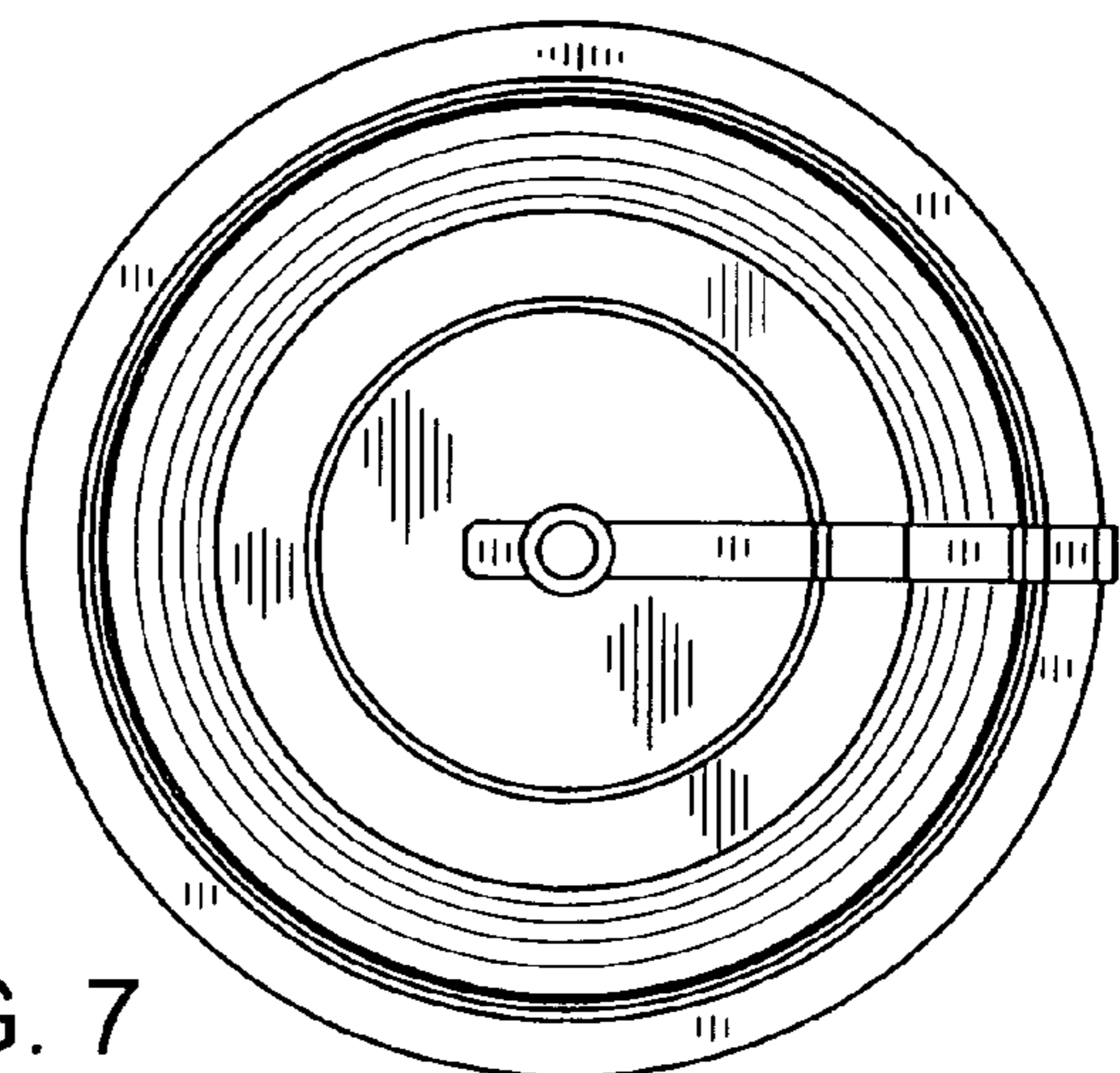


FIG. 7