

US00D546138S

(12) **United States Design Patent**
Vagnby et al.

(10) **Patent No.:** **US D546,138 S**

(45) **Date of Patent:** **** Jul. 10, 2007**

(54) **EXTRUDER FOR FOOD MIXTURES**

(75) Inventors: **Marcus Vagnby**, Copenhagen (DK);
Kwok Kuen So, 2/F., Chuan Yuan
Factory Building, 342-344 Kwun Tong
Road, Kwun Tong, Kowloon (HK)

(73) Assignee: **Kwok Kuen So**, Kowloon (HK)

(**) Term: **14 Years**

(21) Appl. No.: **29/248,784**

(22) Filed: **Sep. 1, 2006**

(51) **LOC (8) Cl.** **07-04**

(52) **U.S. Cl.** **D7/672; D7/669**

(58) **Field of Classification Search** D7/672,
D7/669, 665, 674; D8/14.1; 222/43, 44,
222/256, 257, 260, 287, 325-327, 333, 386,
222/390-392; 425/376.1, 87, 190-192 S,
425/280

See application file for complete search history.

(56) **References Cited**

U.S. PATENT DOCUMENTS

| | | | | | |
|-----------|-----|--------|------------|-------|-----------|
| 2,591,516 | A * | 4/1952 | Darnell | | 425/280 |
| 2,927,543 | A * | 3/1960 | Sherbondy | | 425/190 |
| 4,083,666 | A * | 4/1978 | Richardson | | 425/183 |
| 4,330,070 | A * | 5/1982 | Doubleday | | 222/43 |
| 4,456,450 | A * | 6/1984 | Heling | | 425/376.1 |
| 4,869,403 | A * | 9/1989 | Bruning | | 222/327 |
| D309,697 | S * | 8/1990 | So | | D7/672 |

| | | | | | |
|-----------|-----|---------|----------------|-------|---------|
| 5,137,184 | A * | 8/1992 | Jackson et al. | | 222/327 |
| 5,385,274 | A * | 1/1995 | Twyman | | 222/327 |
| D363,405 | S * | 10/1995 | Elliott, Sr. | | D7/669 |
| D369,283 | S * | 4/1996 | Finlay | | D7/672 |
| D453,451 | S * | 2/2002 | Yu | | D7/699 |
| D462,584 | S * | 9/2002 | So | | D7/669 |

* cited by examiner

Primary Examiner—Terry A. Wallace

(74) *Attorney, Agent, or Firm*—William J. Sapone; Coleman
Sudol Sapone P.C.

(57) **CLAIM**

The ornamental design for extruder for food mixtures, as
shown and described.

DESCRIPTION

FIG. 1 is a right side view of the article.

FIG. 2 is a left side view of the article.

FIG. 3 is a front view of the article.

FIG. 4 is a rear view of the article.

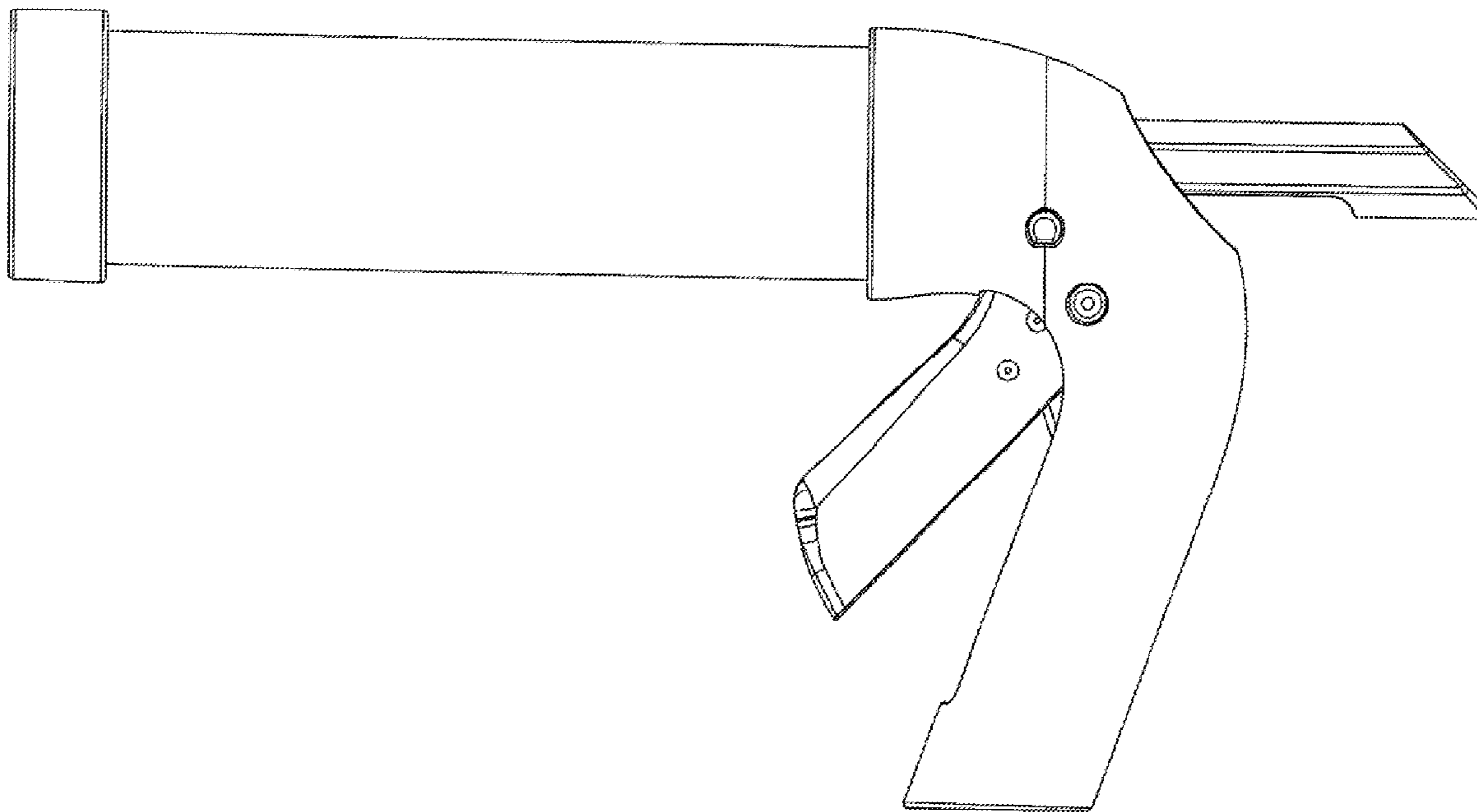
FIG. 5 is a top view of the article.

FIG. 6 is a bottom view of the article.

FIG. 7 is a right side view of the article with the piston in
an innermost position; and,

FIG. 8 is a right side view of the article with the piston in
an outermost position.

1 Claim, 8 Drawing Sheets



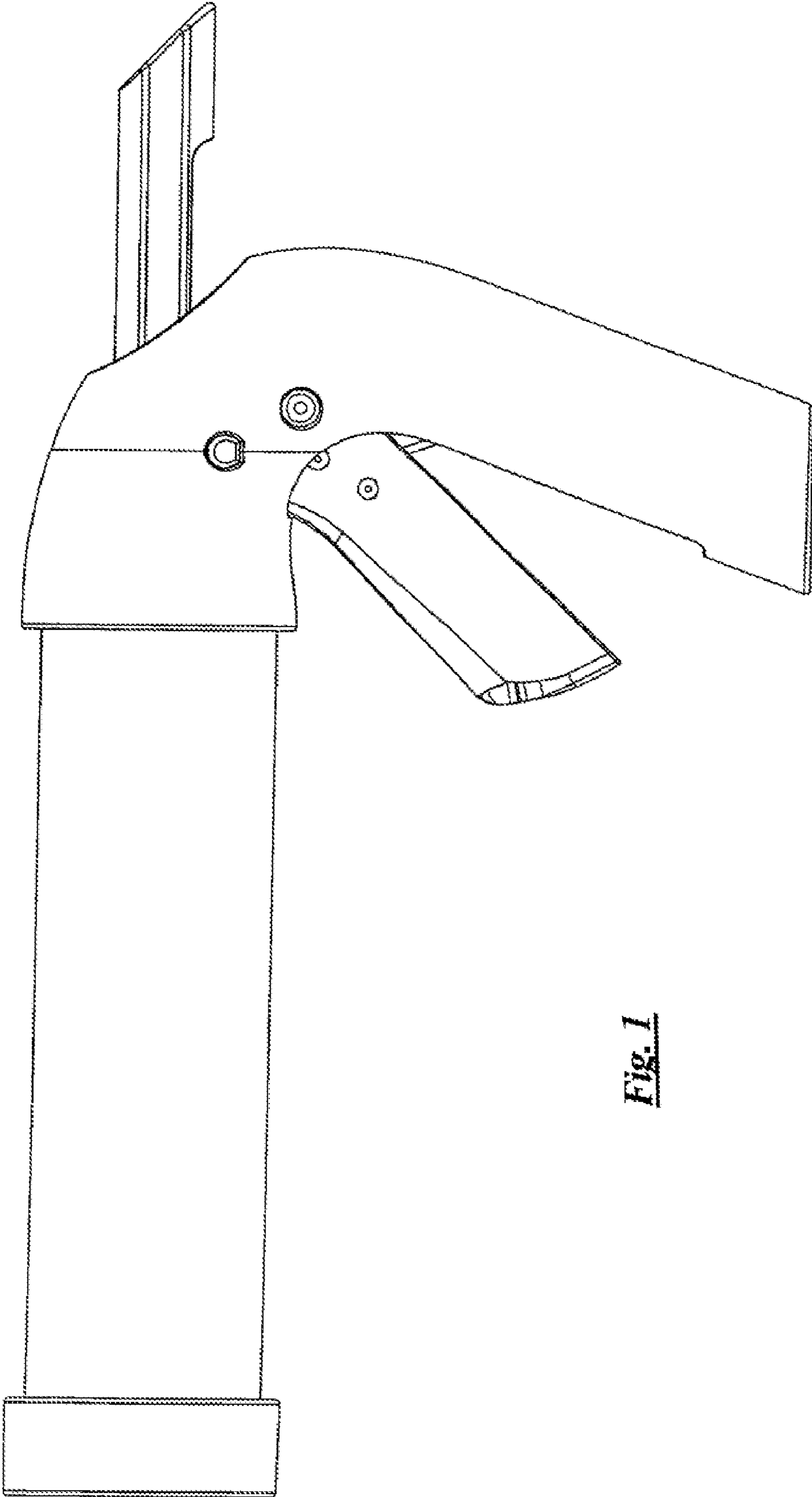


Fig. 1

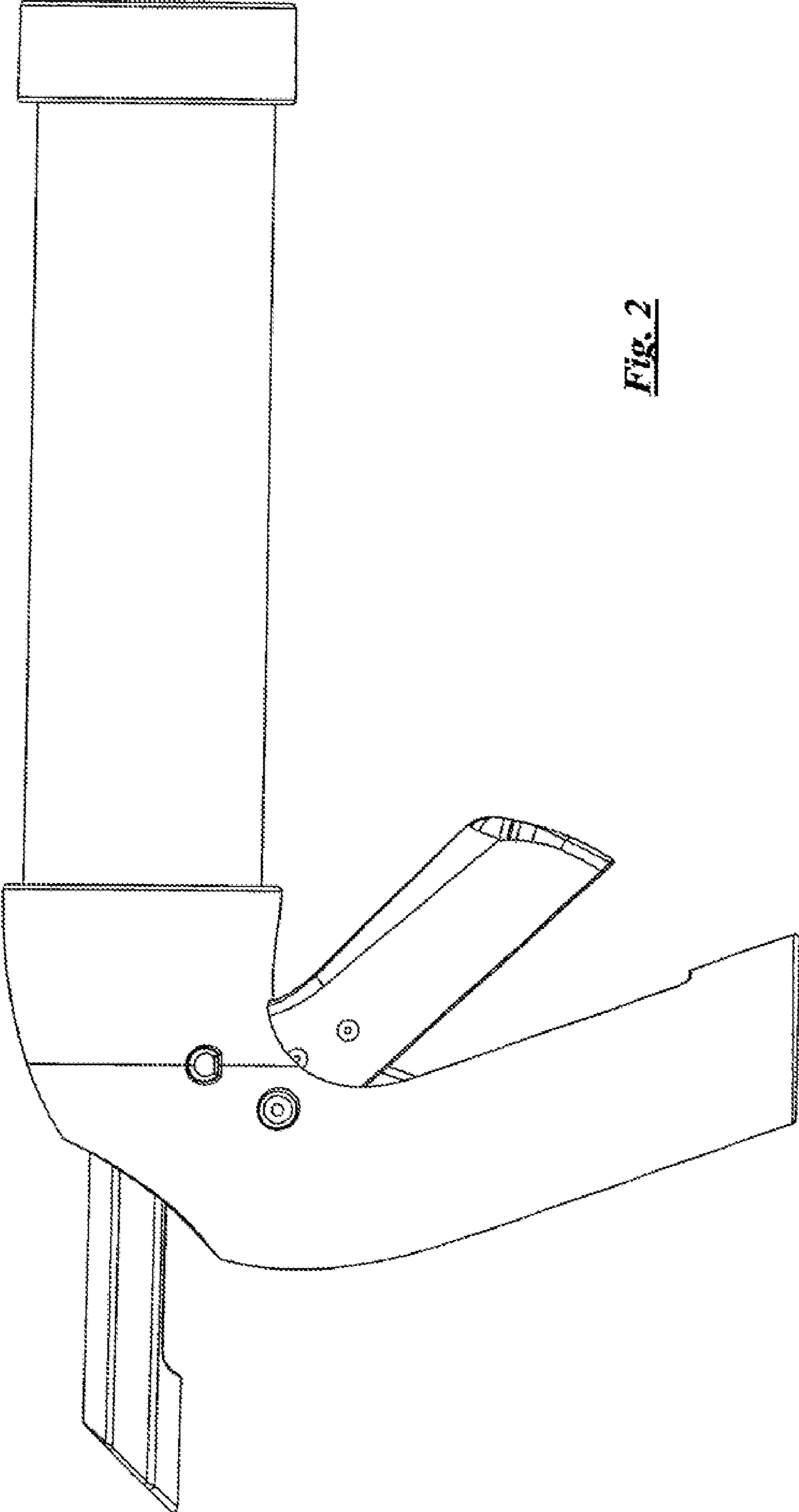


Fig. 2

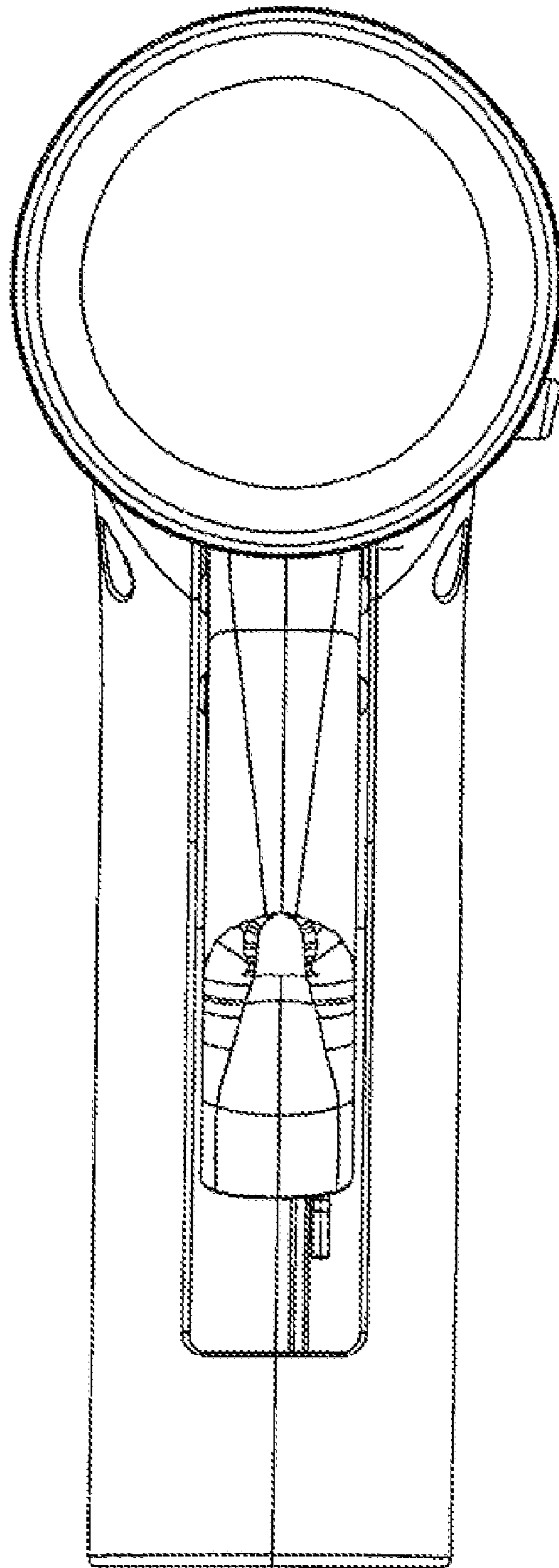


Fig. 3

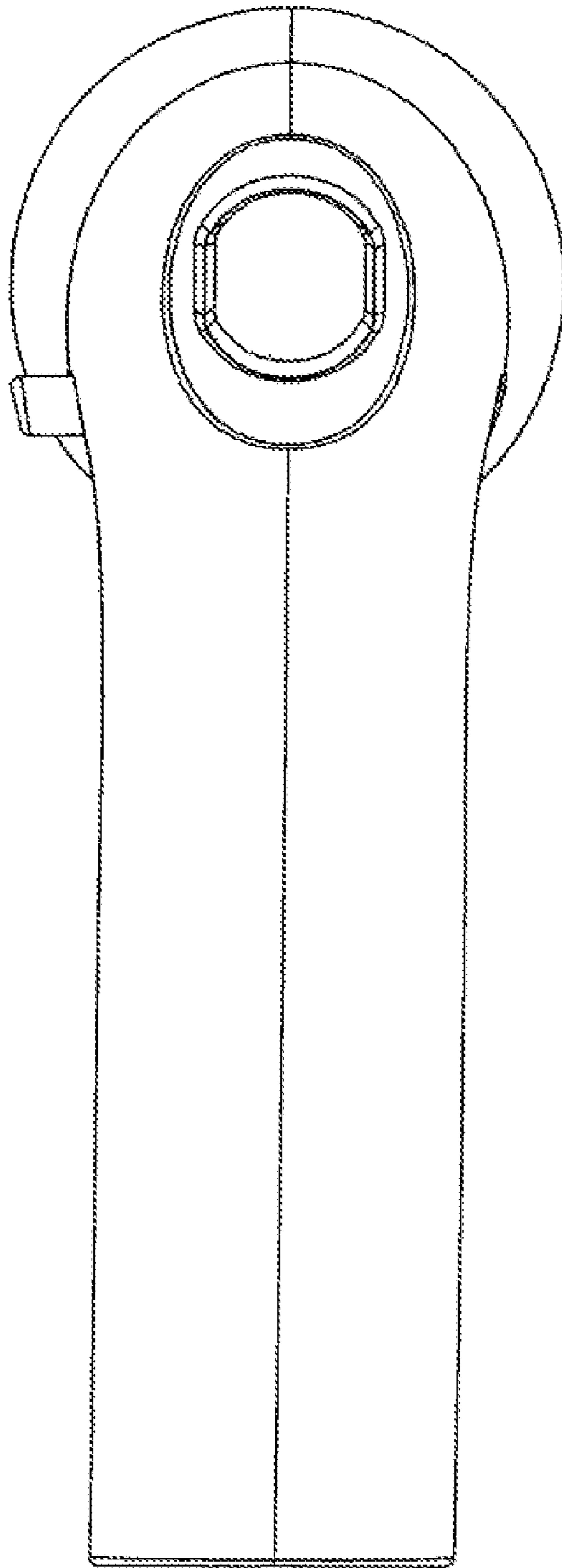


Fig. 4

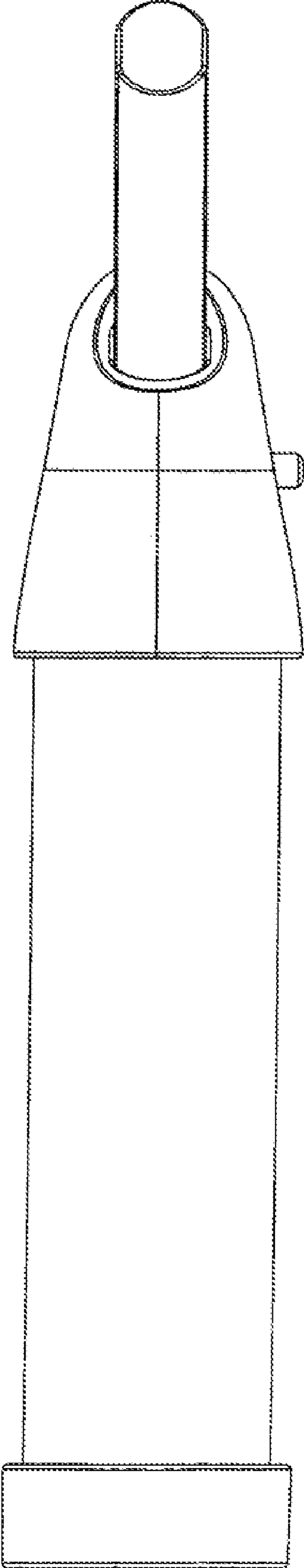


Fig. 5

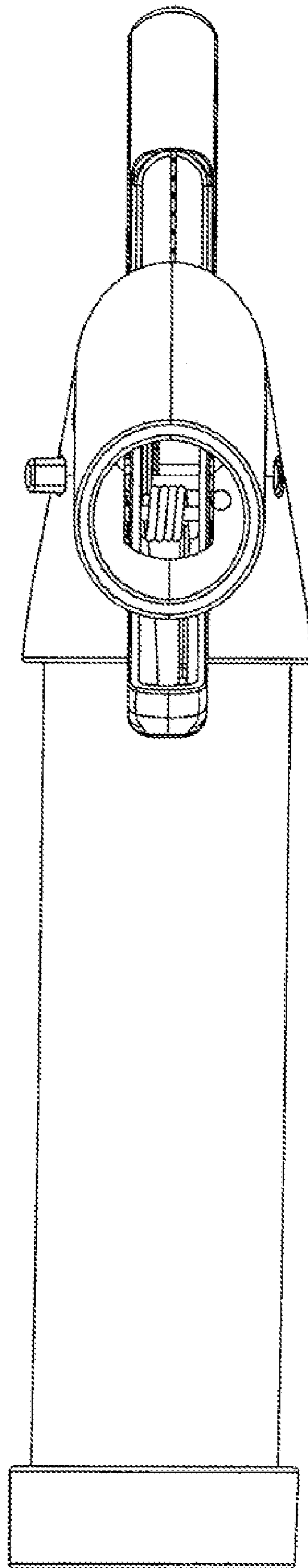


Fig. 6

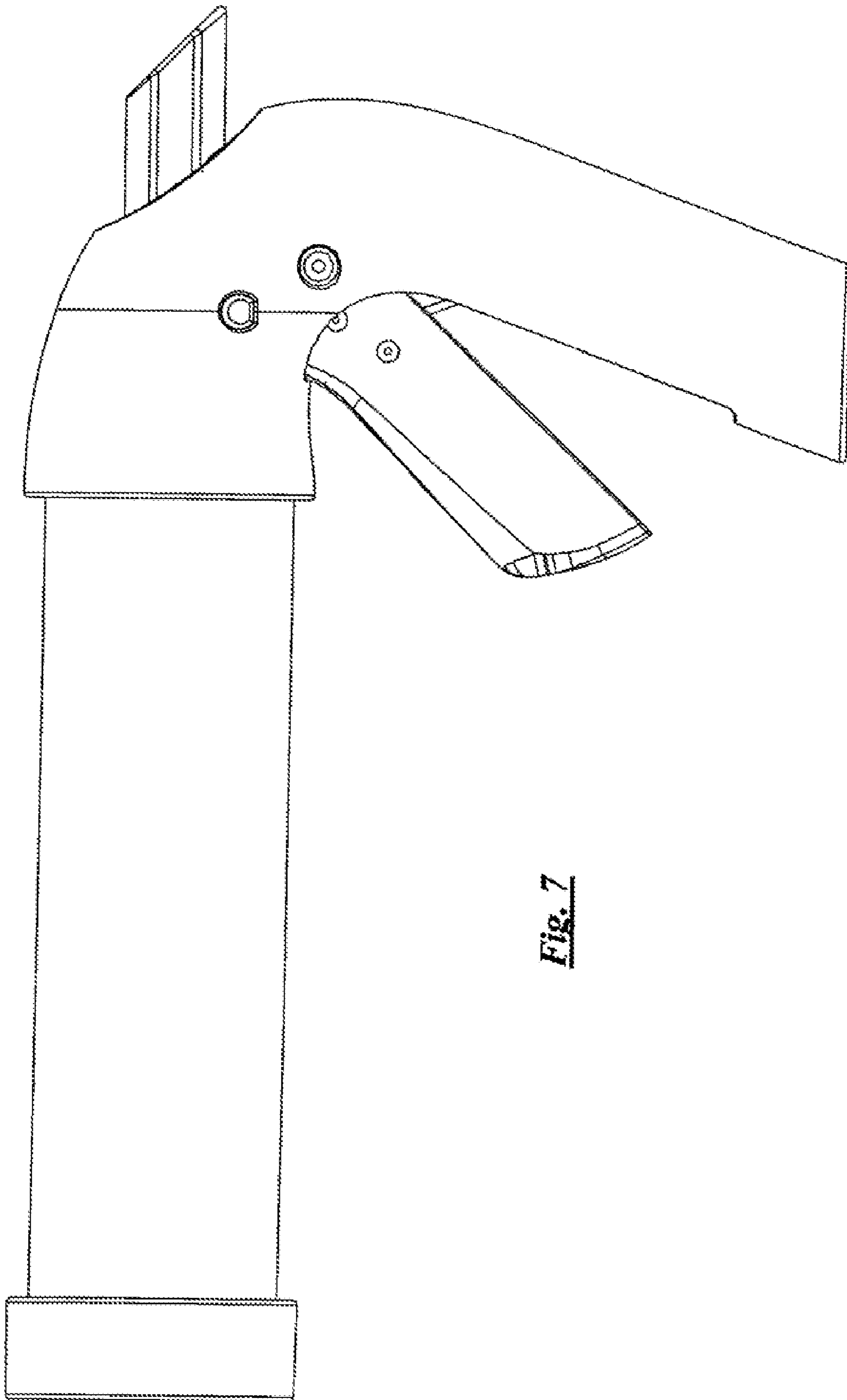


Fig. 7

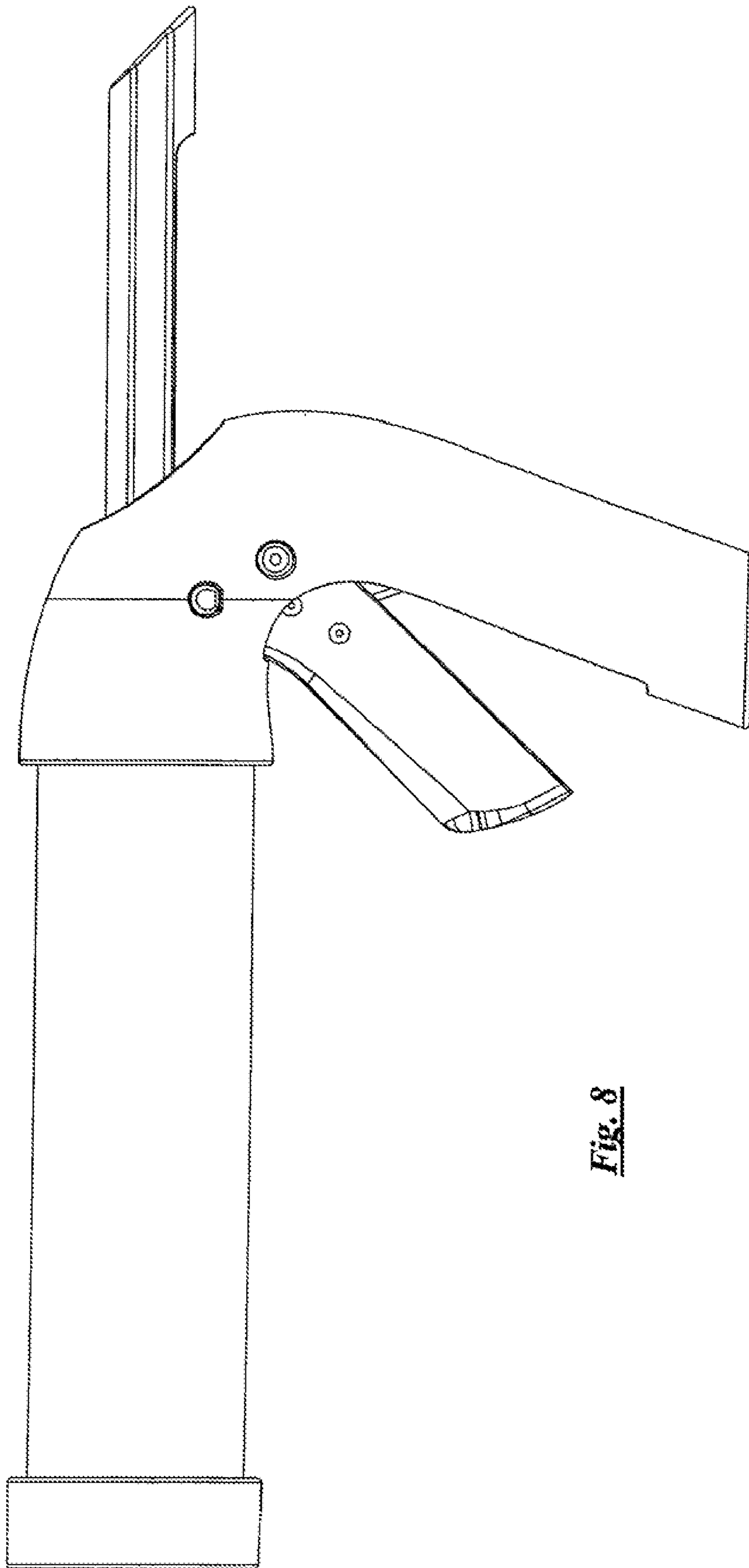


Fig. 8