

US00D546129S

(12) **United States Design Patent**
Sergianni

(10) **Patent No.:** **US D546,129 S**

(45) **Date of Patent:** **** Jul. 10, 2007**

(54) **COOKING VESSEL LID HOLDER WITH DRIP COLLECTION APPARATUS**

(76) Inventor: **Gary Sergianni**, P.O. Box 1329,
Guerneville, CA (US) 95446

(**) Term: **14 Years**

(21) Appl. No.: **29/253,217**

(22) Filed: **Feb. 1, 2006**

(51) **LOC (8) Cl.** **07-07**

(52) **U.S. Cl.** **D7/601**

(58) **Field of Classification Search** D7/601,
D7/637-641; D8/356, 370; D6/418, 462;
211/181.1, 41.4, 41.11, 42, 70.7; 248/107,
248/309.1, 175, 176.1, 176.2, 37.6

See application file for complete search history.

(56) **References Cited**

U.S. PATENT DOCUMENTS

874,917	A	12/1907	Timberlake	
1,349,084	A *	8/1920	Moore	211/41.11
2,286,012	A *	6/1942	Rochow	248/37.6
2,528,388	A	10/1950	Richards	
D282,323	S	1/1986	Fetty	
4,790,503	A *	12/1988	Pohler	248/176.2
D304,280	S	10/1989	Leighton	
4,893,771	A *	1/1990	Kaneshiro	248/176.1

D311,651	S	10/1990	Fetty	
D379,903	S *	6/1997	Durham	D7/601
D398,483	S	9/1998	Stocco	
5,979,673	A *	11/1999	Dooley	211/41.11
D450,540	S	11/2001	Romero	
6,505,746	B1 *	1/2003	Johnson	211/70.7
D476,847	S	7/2003	Kingsley et al.	
D511,944	S *	11/2005	Kaposi	D7/638

* cited by examiner

Primary Examiner—Terry A. Wallace

(74) *Attorney, Agent, or Firm*—Craig M. Stainbrook;
Stainbrook & Stainbrook, LLP

(57) **CLAIM**

The ornamental design for a cooking vessel lid holder with drip collection apparatus, as shown and described.

DESCRIPTION

FIG. 1 is an upper left side perspective view;

FIG. 2 is a front view in elevation;

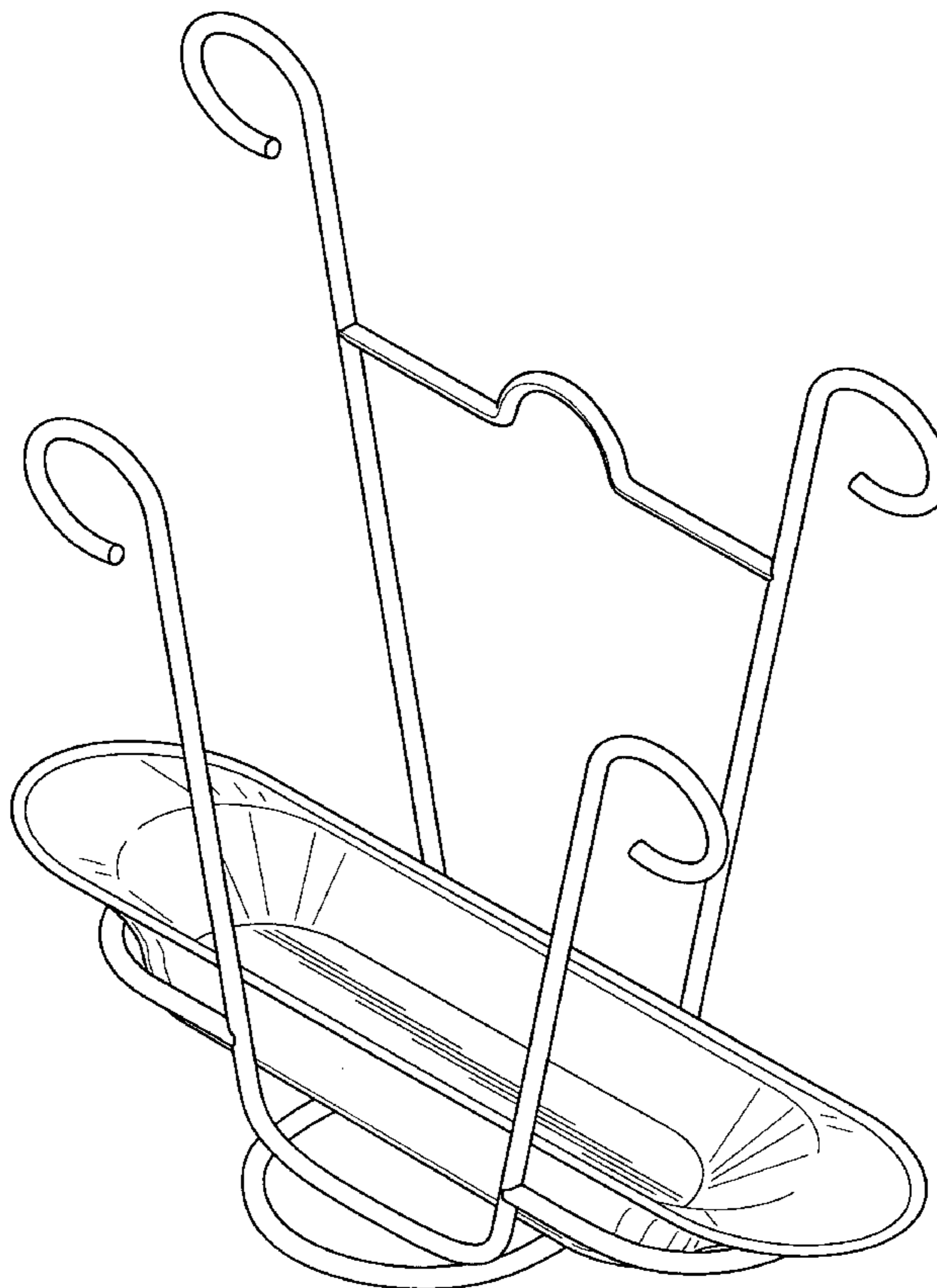
FIG. 3 is a left side view in elevation, the left side is a mirror image thereof;

FIG. 4 is a rear view in elevation;

FIG. 5 is a bottom plan view; and,

FIG. 6 is a top plan view.

1 Claim, 5 Drawing Sheets



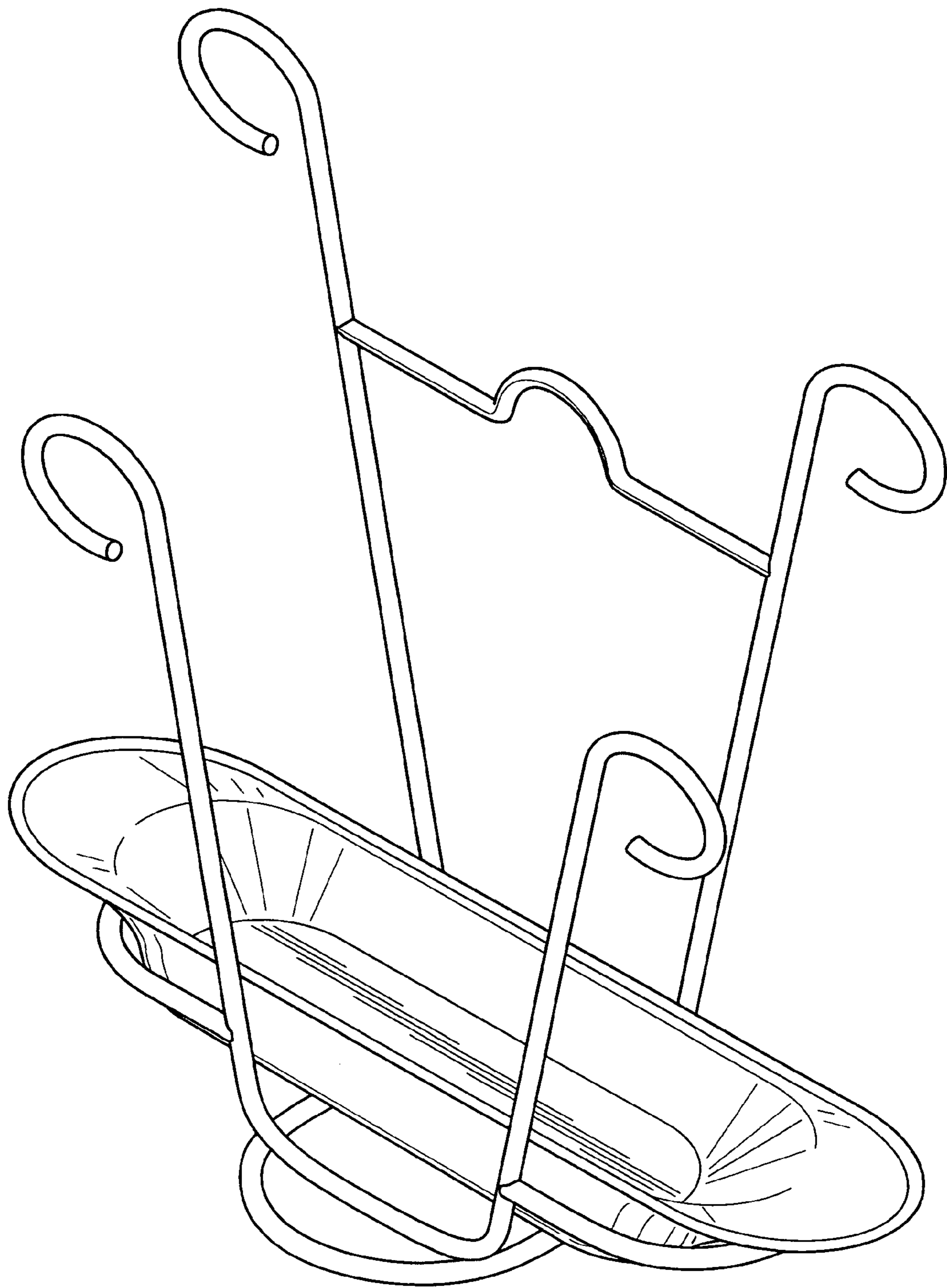


FIG. 1

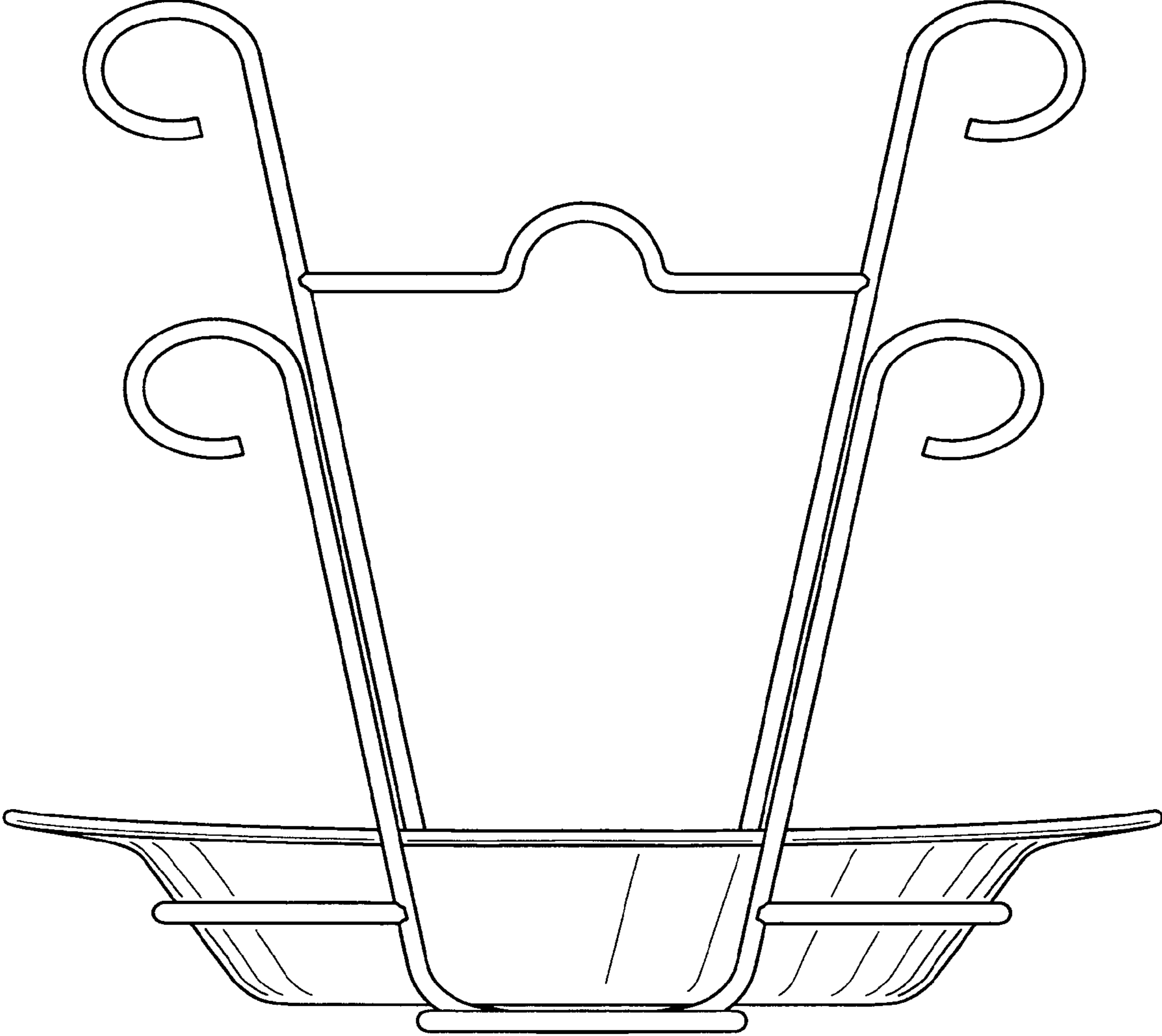


FIG. 2

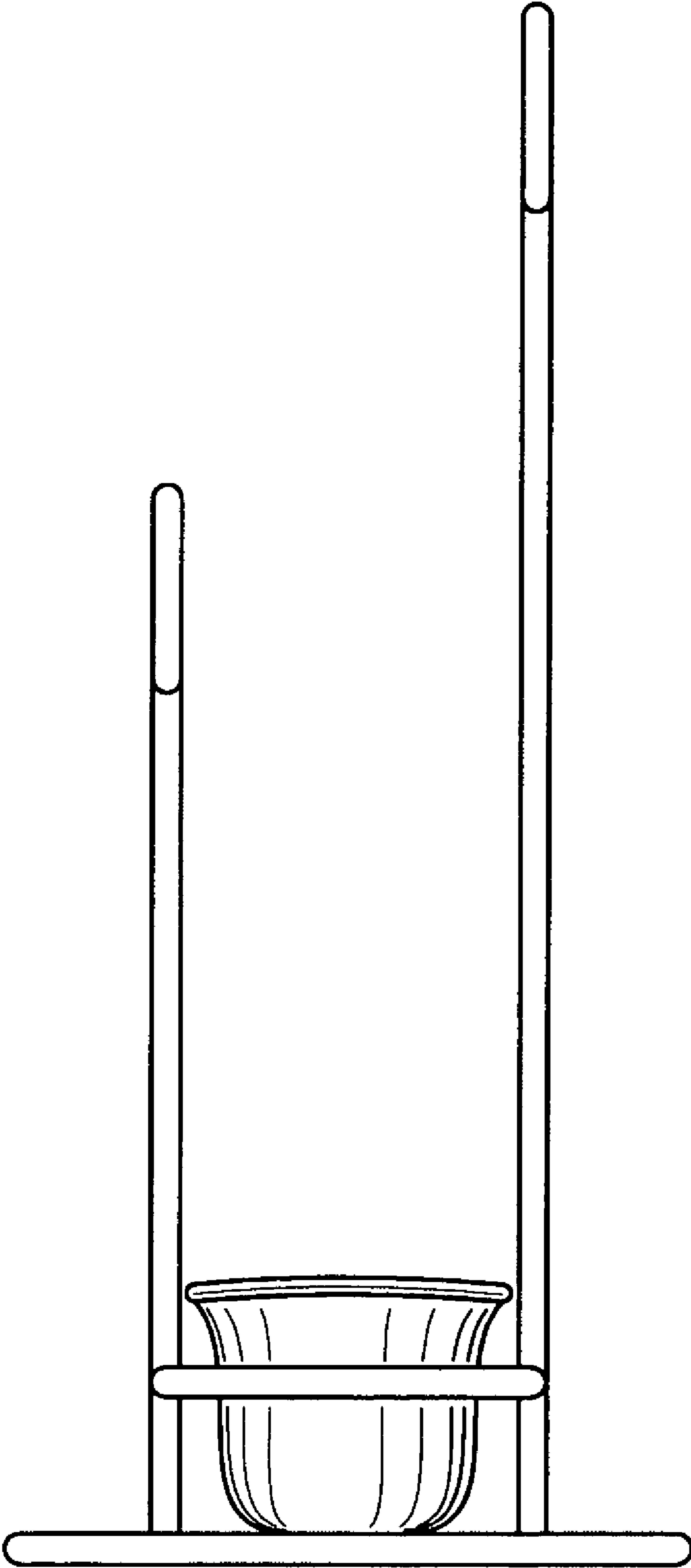


FIG. 3

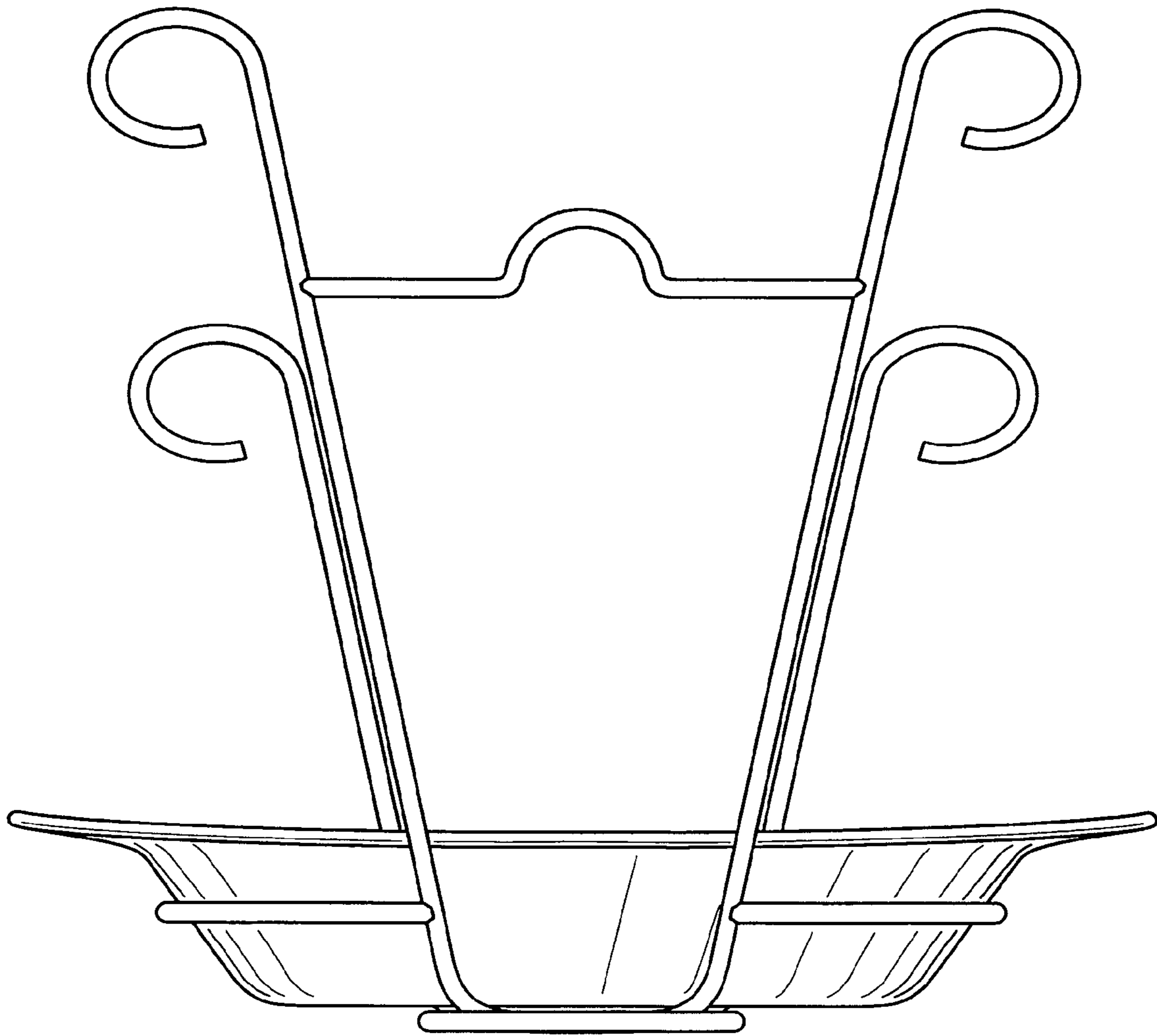


FIG. 4

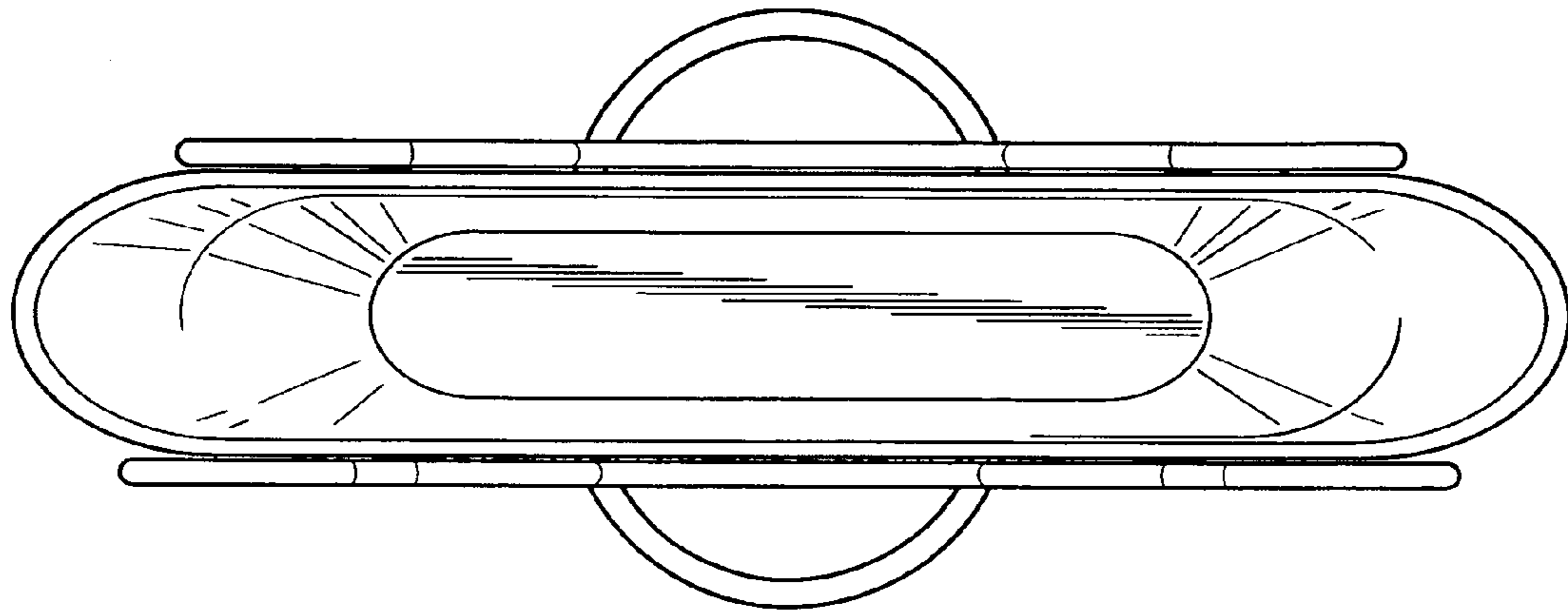


FIG. 5

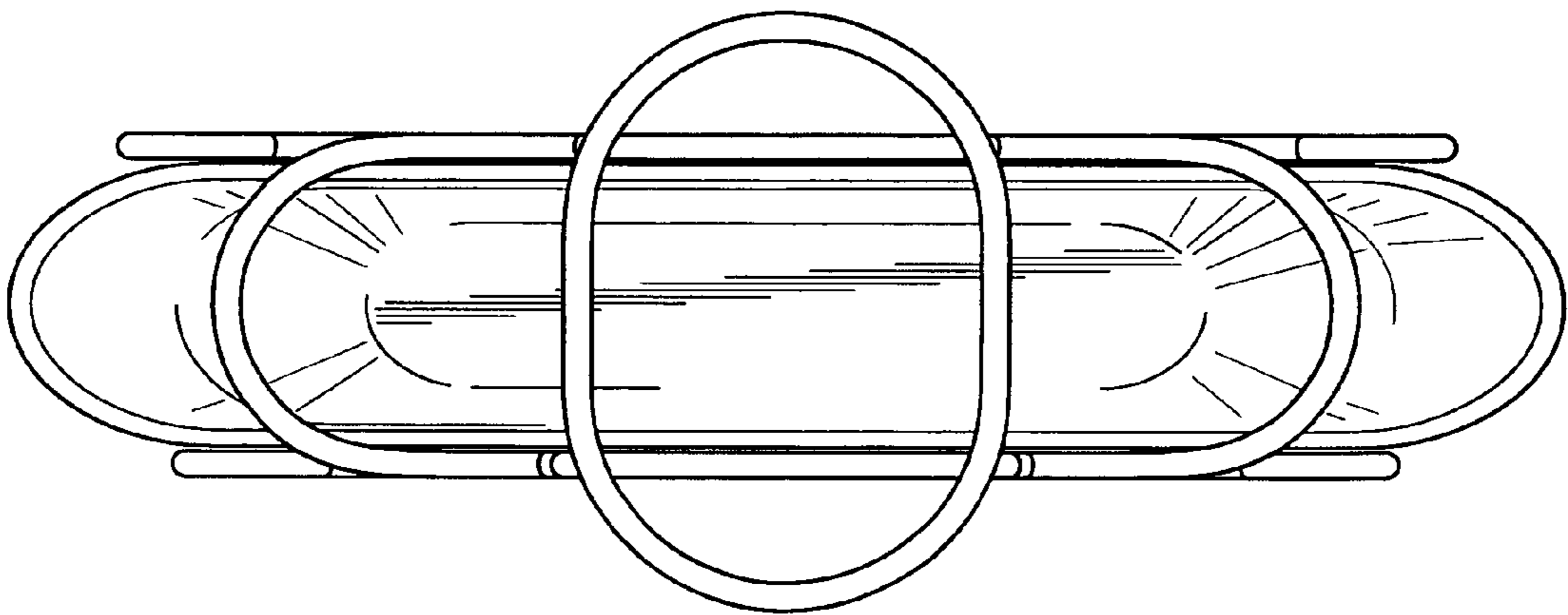


FIG. 6