

US00D546127S

(12) **United States Design Patent**  
**Vovan**

(10) **Patent No.:** **US D546,127 S**  
(45) **Date of Patent:** **\*\* Jul. 10, 2007**

- (54) **OYSTER CONTAINER BASE**
- (75) Inventor: **Terry Vovan**, Rialto, CA (US)
- (73) Assignee: **PWP Industries**, Vernon, CA (US)
- (\*\*) Term: **14 Years**
- (21) Appl. No.: **29/239,118**
- (22) Filed: **Sep. 26, 2005**
- (51) **LOC (8) Cl.** ..... **07-01**
- (52) **U.S. Cl.** ..... **D7/552.2; D7/553.6**
- (58) **Field of Classification Search** ..... D7/503,  
D7/505, 523, 532, 535, 542, 543, 545, 553.1,  
D7/553.6-555, 558, 560, 565, 566, 584-588,  
D7/300, 300.1, 312, 316, 318, 601, 602, 611,  
D7/701, 630, 354, 356, 360, 376, 396.2, 397;  
D9/430-433, 901, 902, 772, 424, 425, 428,  
D9/429, 769, 761; D11/152, 154; D24/216,  
D24/224, 221, 132, 220, 227; D30/129;  
220/23.83, 904, 574, 771, 212, 657, 659,  
220/755; 222/143, 465.1; 206/821, 822  
See application file for complete search history.

- D459,950 S \* 7/2002 Bush et al. .... D7/553.6
- D469,311 S \* 1/2003 Stone et al. .... D7/553.6
- D474,942 S \* 5/2003 Tocci ..... D7/611
- D489,608 S \* 5/2004 Lin ..... D7/554.2
- D509,000 S \* 8/2005 Barnes ..... D24/229

**FOREIGN PATENT DOCUMENTS**

PL 000438247-0005 \* 11/2005

\* cited by examiner

*Primary Examiner*—Charles A. Rademaker  
*Assistant Examiner*—Charles Hanson  
(74) *Attorney, Agent, or Firm*—Leon D. Rosen

(57) **CLAIM**

The ornamental design for oyster container base, as shown and described.

**DESCRIPTION**

FIG. 1 is a top isometric view of a oyster container base showing my design.

FIG. 2 is a top view thereof.

FIG. 3 is a bottom view thereof.

FIG. 4 is a right side elevation view thereof, the left side elevation view being a mirror image thereof; and,

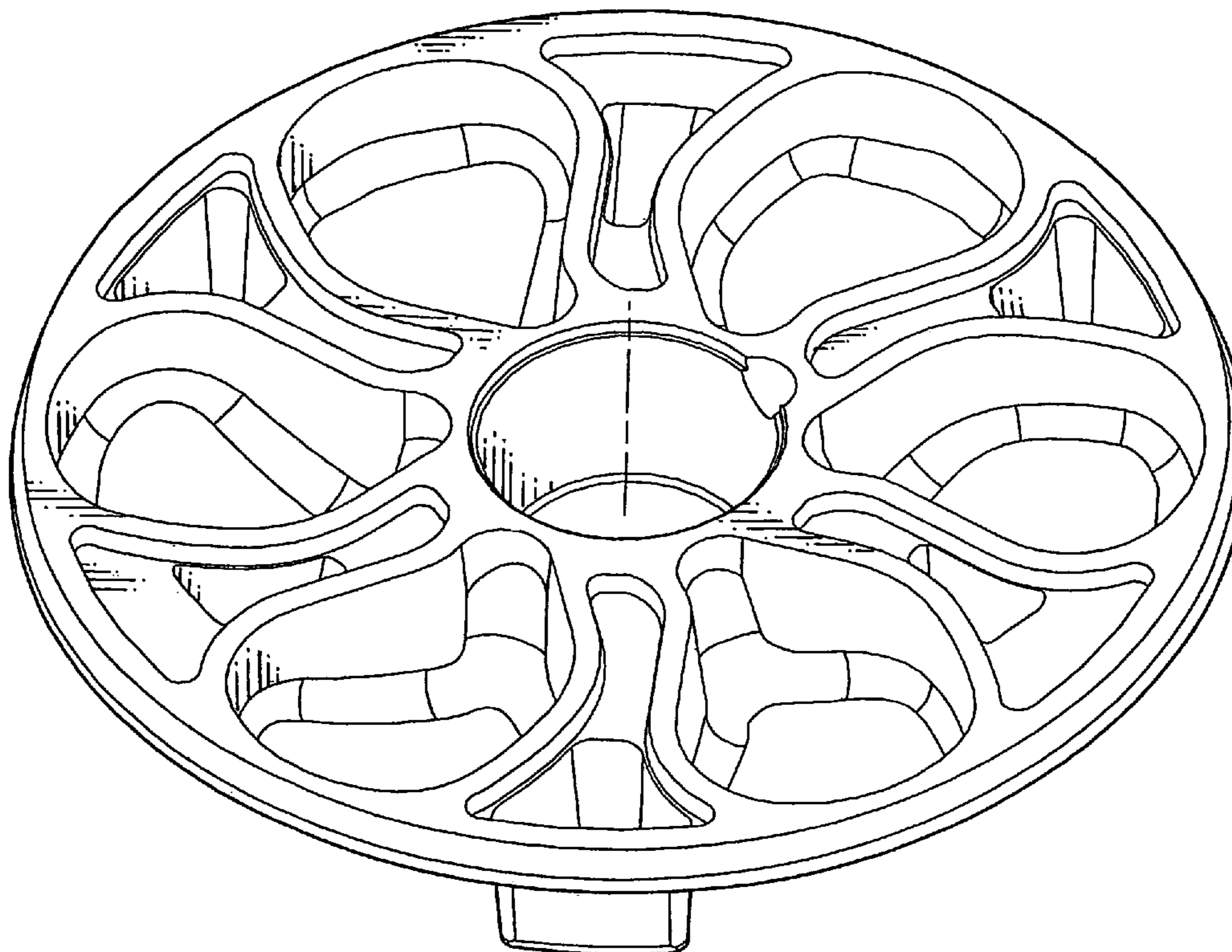
FIG. 5 is a front elevation view thereof, the rear view being identical thereof.

(56) **References Cited**

**U.S. PATENT DOCUMENTS**

- D393,775 S \* 4/1998 Otero ..... D7/553.6
- D419,869 S \* 2/2000 Loew et al. .... D9/761
- D422,840 S \* 4/2000 Hedlund ..... D7/505

**1 Claim, 4 Drawing Sheets**



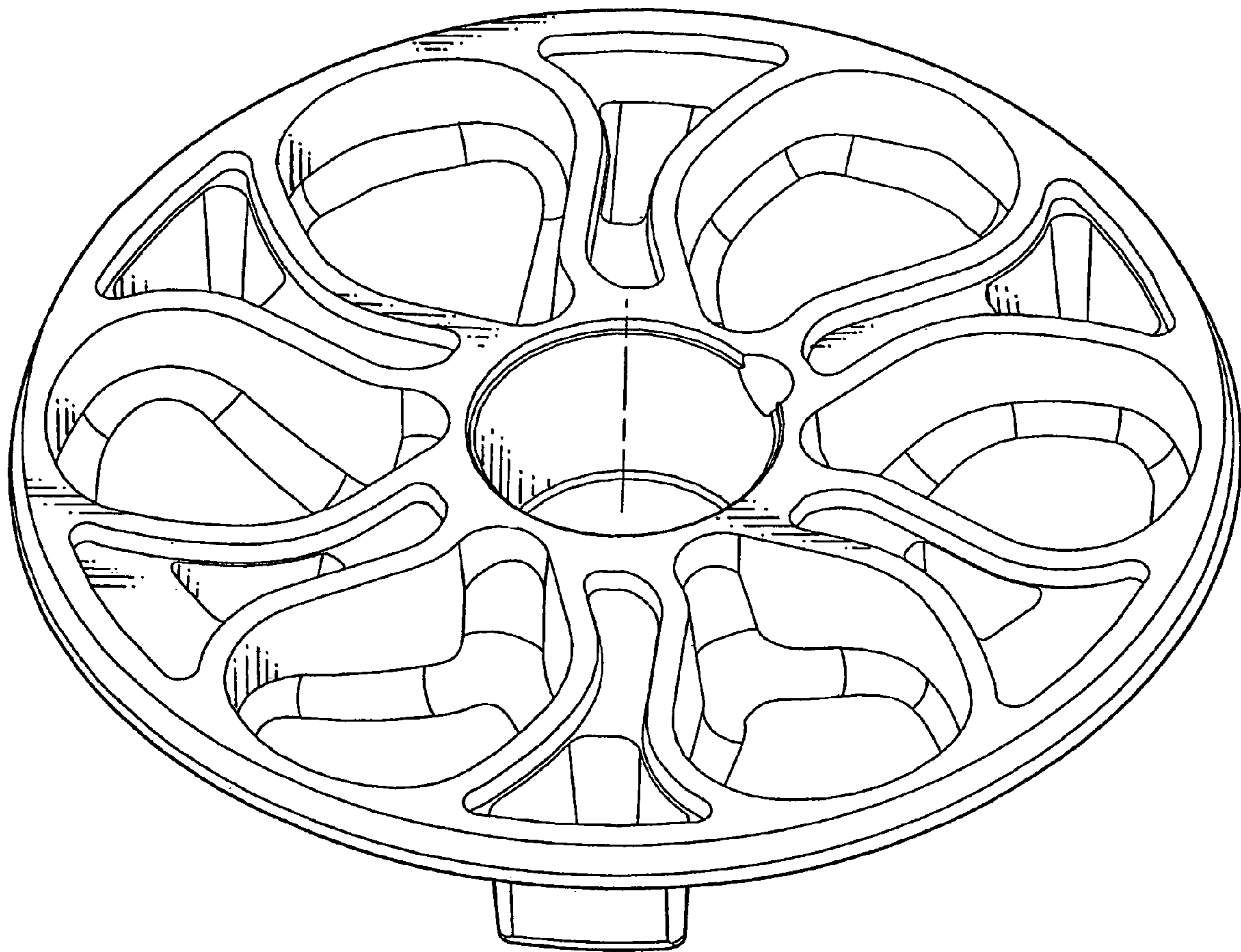


FIG. 1

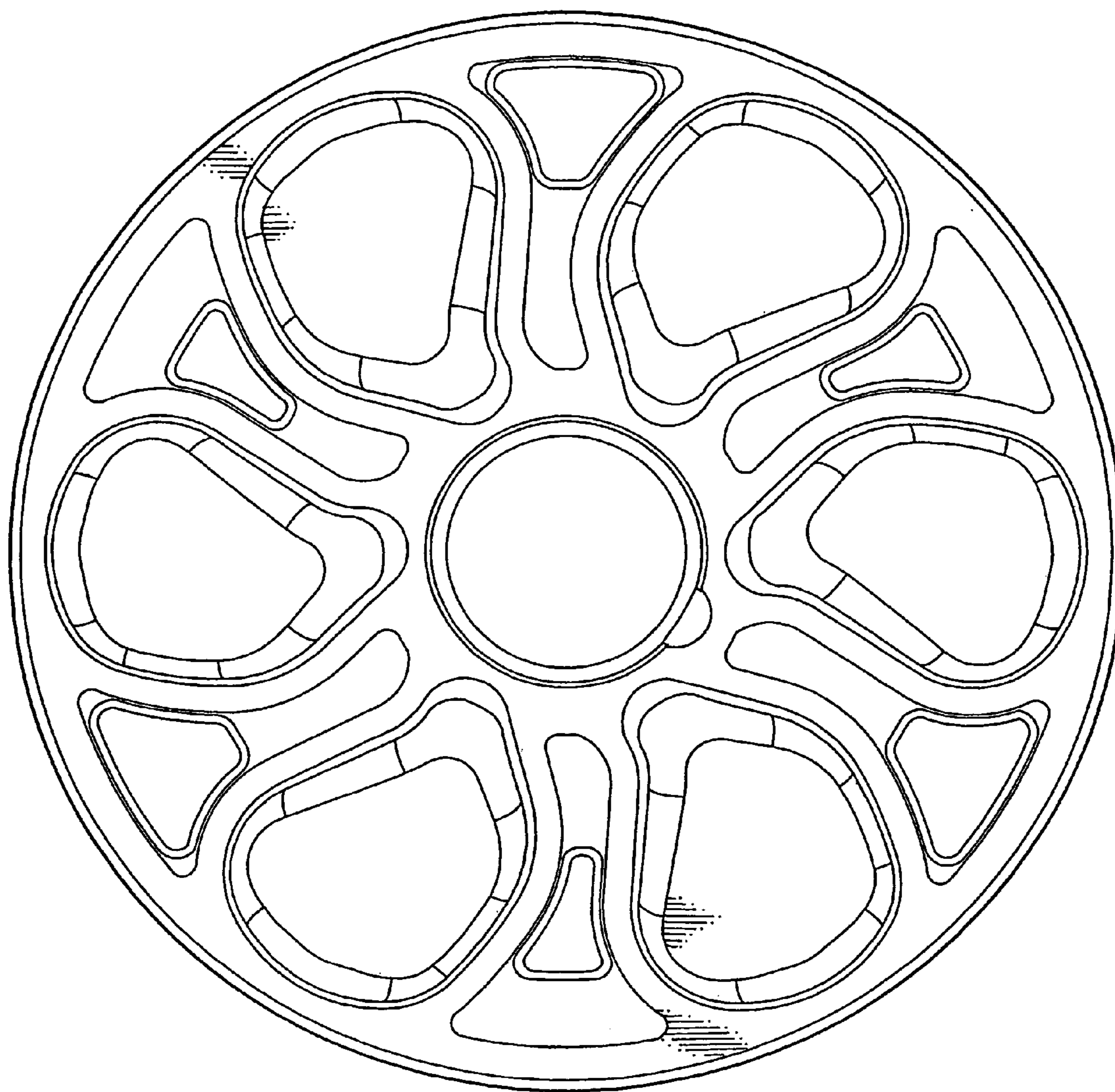


FIG. 2

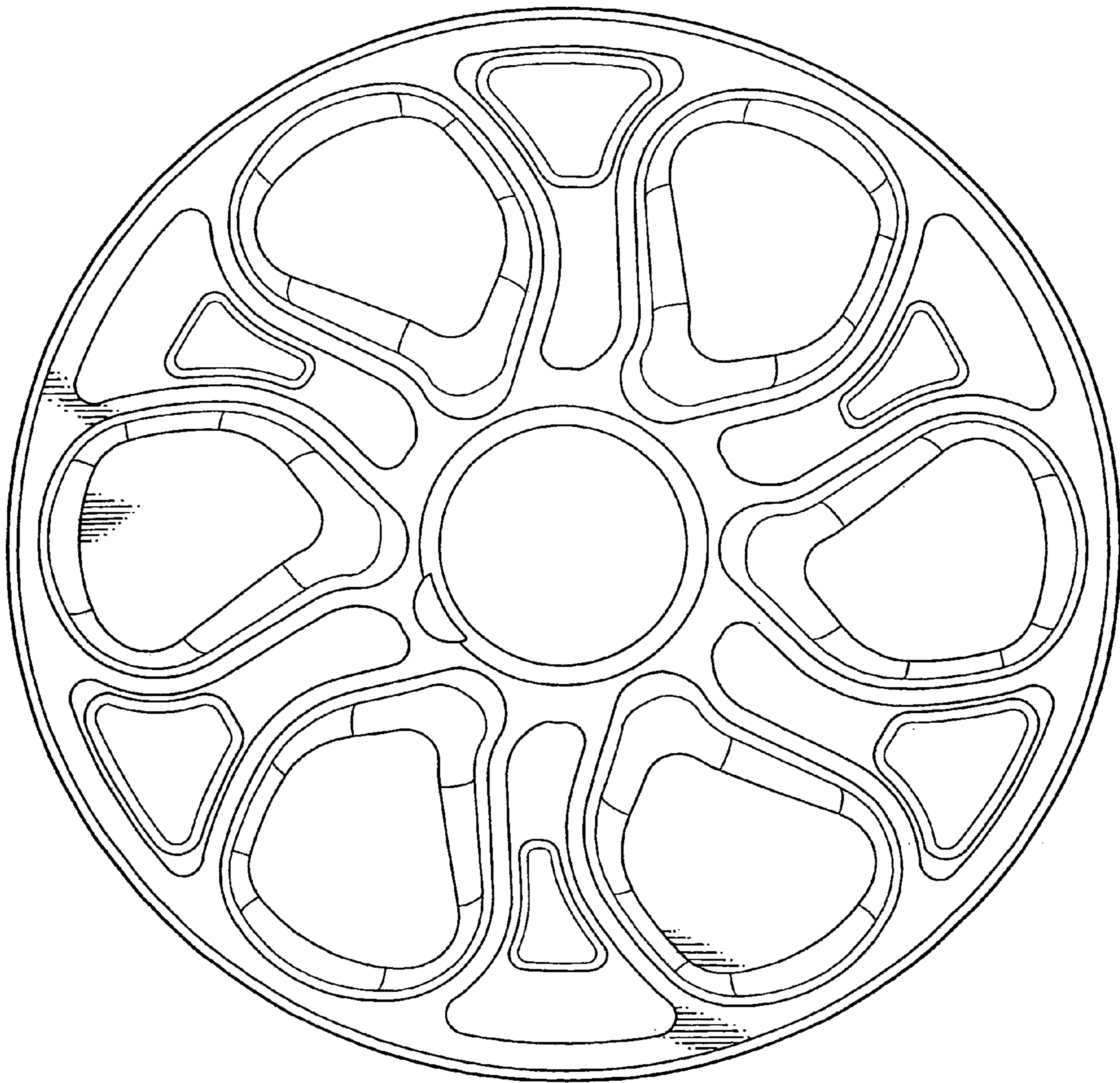


FIG. 3

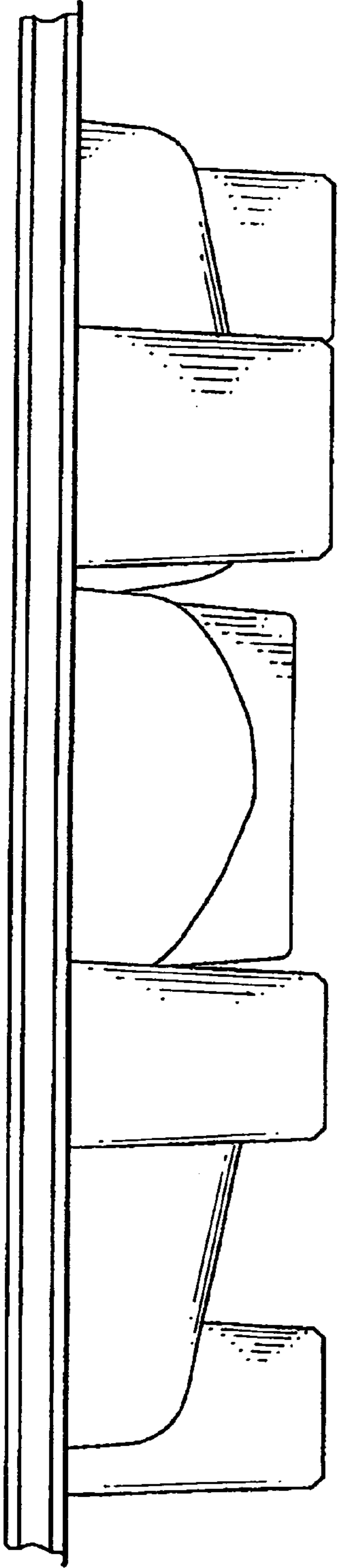


FIG. 4

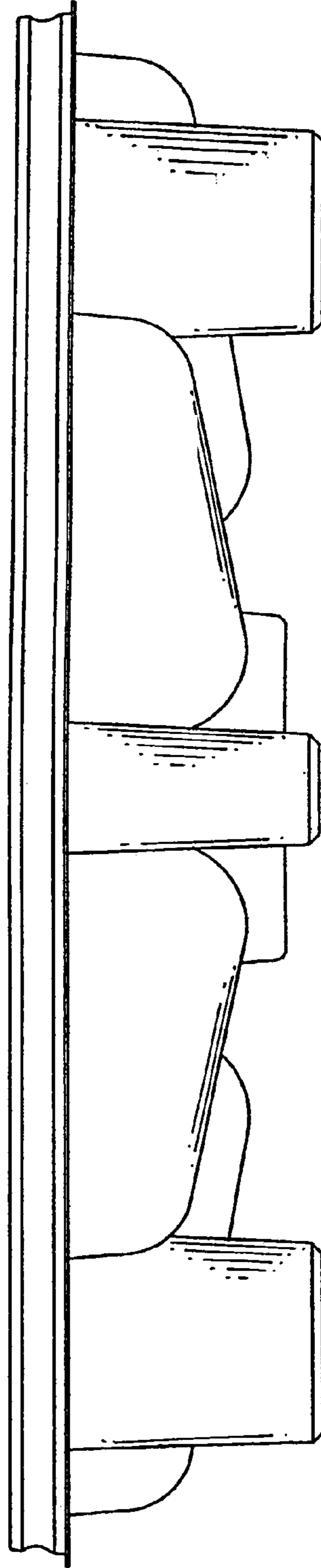


FIG. 5