



US00D546121S

(12) **United States Design Patent**  
**Hessen et al.**

(10) **Patent No.:** **US D546,121 S**

(45) **Date of Patent:** **\*\* Jul. 10, 2007**

(54) **EXTERNAL SURFACE CONFIGURATION  
FOR THE FRONT PANEL OF A STOVE**

(75) Inventors: **W. Harry Hessen**, Memphis, TN (US);  
**Henry E. Cotter**, Memphis, TN (US);  
**Terril J. Johnson**, Bartlett, TN (US);  
**Oravimon C. Martin**, Bartlett, TN  
(US); **Keshia Renee Merritt**, Memphis,  
TN (US)

(73) Assignee: **Sharp Manufacturing Company of  
America, a division of Sharp  
Electronics Corp.**, Memphis, TN (US)

(\*\*) Term: **14 Years**

(21) Appl. No.: **29/269,212**

(22) Filed: **Nov. 21, 2006**

(51) **LOC (8) Cl.** ..... **07-02**

(52) **U.S. Cl.** ..... **D7/405**

(58) **Field of Classification Search** ..... D7/339-341,  
D7/346-349, 402, 405-407; 126/21 A, 39 B,  
126/39 R; 219/391-392, 400, 449-450;  
D23/351, 371, 372, 385

See application file for complete search history.

(56) **References Cited**

**U.S. PATENT DOCUMENTS**

D277,449 S *	2/1985	Vetter et al. ....	D7/346
D464,229 S *	10/2002	Baldwin et al. ....	D7/340
D470,720 S *	2/2003	Jones et al. ....	D7/405
D477,177 S *	7/2003	Jeong ....	D7/340
D477,496 S *	7/2003	Monguilod et al. ....	D7/340
D491,411 S *	6/2004	De Mello ....	D7/340

D495,918 S *	9/2004	De Mello .....	D7/340
D510,227 S *	10/2005	Baldwin .....	D7/340
D511,925 S *	11/2005	Baldwin .....	D7/340
D521,317 S *	5/2006	Hessen et al. ....	D7/405
D521,805 S *	5/2006	Hessen et al. ....	D7/405
D536,208 S *	2/2007	Ostlund et al. ....	D7/340
D536,568 S *	2/2007	Ostlund et al. ....	D7/340

\* cited by examiner

*Primary Examiner*—Louis S. Zarfaz

*Assistant Examiner*—Mark Cavanna

(74) *Attorney, Agent, or Firm*—Walker, McKenzie &  
Walker, P.C.

(57) **CLAIM**

The ornamental design for the external surface configuration  
for the front panel of a stove, as shown and described.

**DESCRIPTION**

FIG. 1 is a front perspective view of an external surface  
configuration for the front panel of a stove, showing our new  
design;

FIG. 2 is a front perspective view thereof with a drawer  
thereof pulled partially out;

FIG. 3 is a top plan view thereof;

FIG. 4 is a front elevation view thereof; and,

FIG. 5 is a right side elevation view thereof, the left side  
being a mirror image thereof.

The details shown in broken lines in FIGS. 1-5, and the  
undisclosed rear and bottom views form no part of the  
claimed design.

**1 Claim, 3 Drawing Sheets**

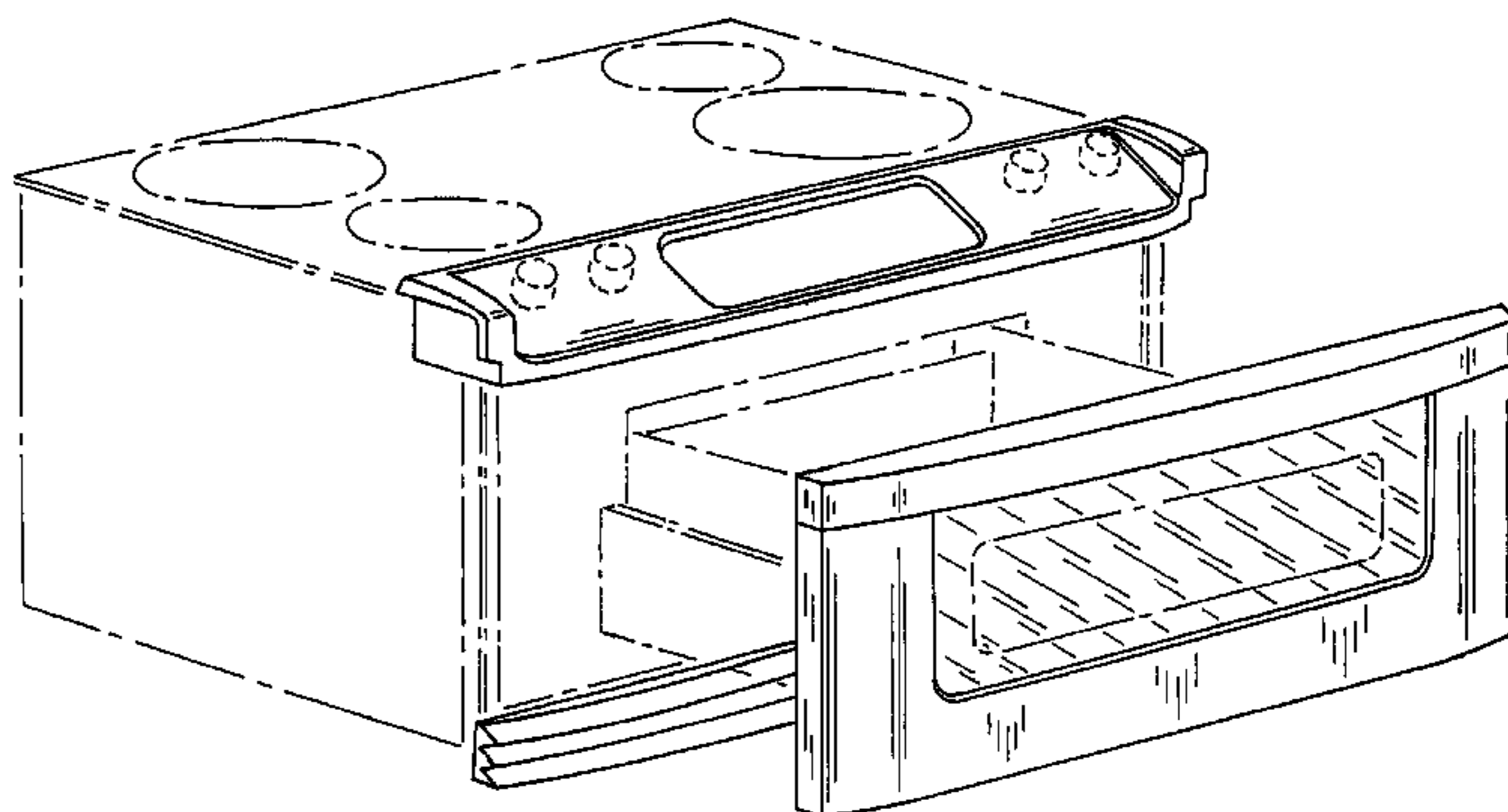
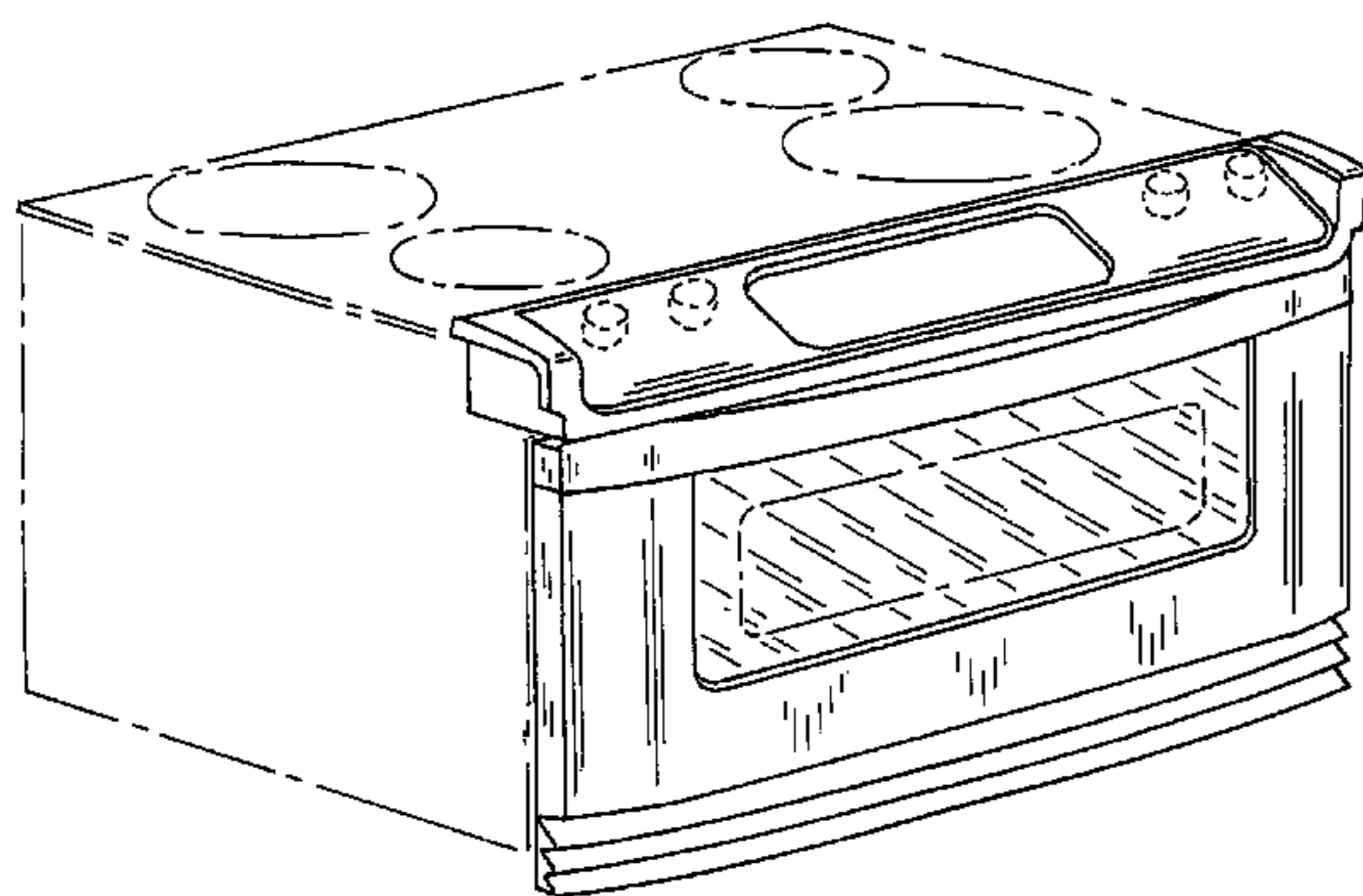


FIG. 1

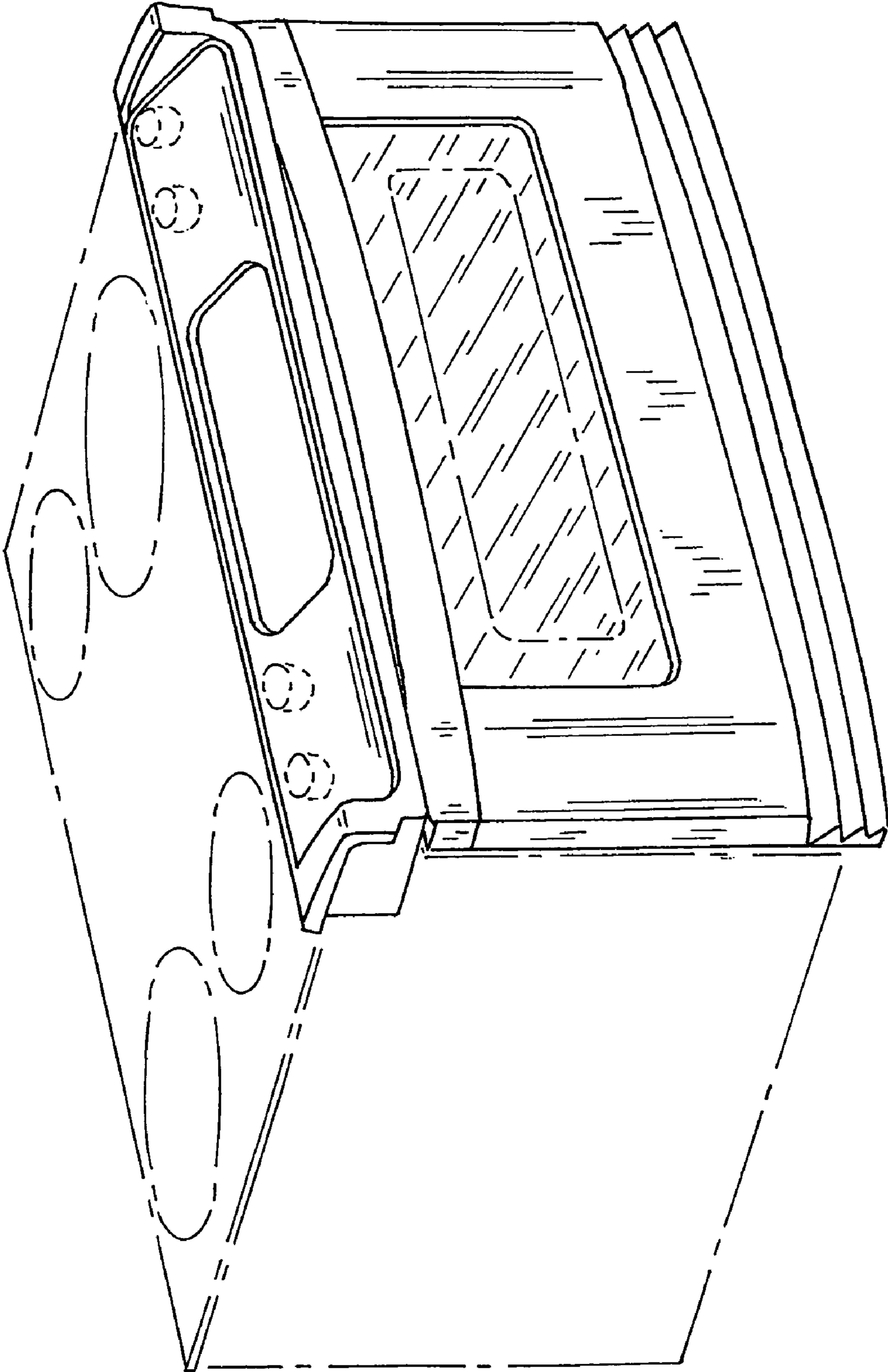


FIG. 2

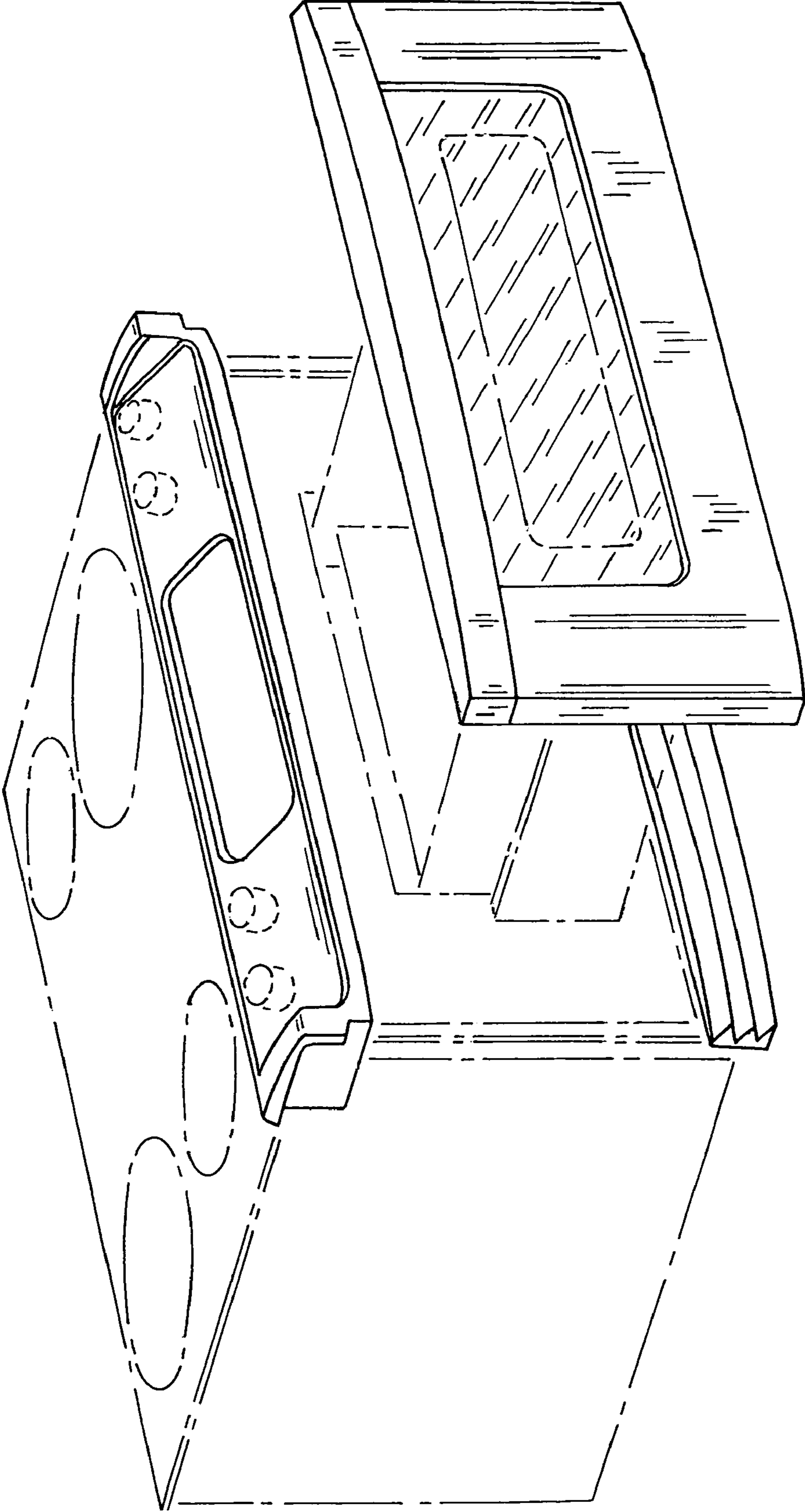


FIG. 3

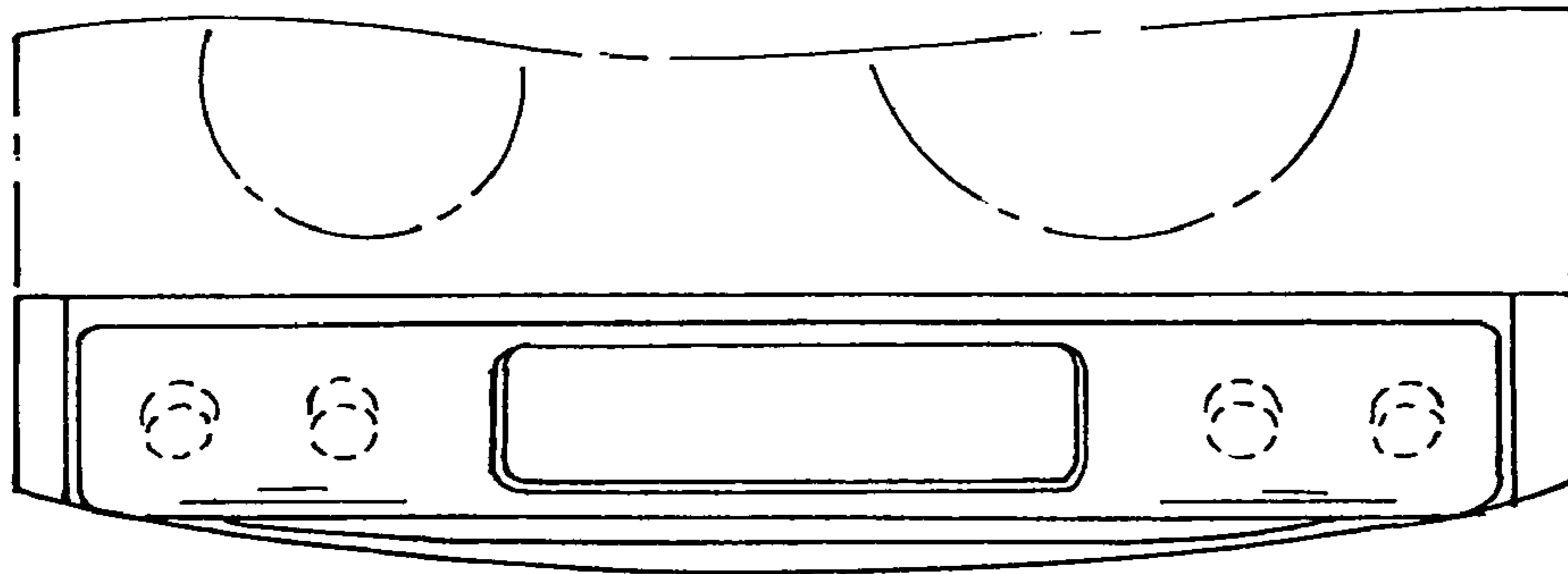


FIG. 4

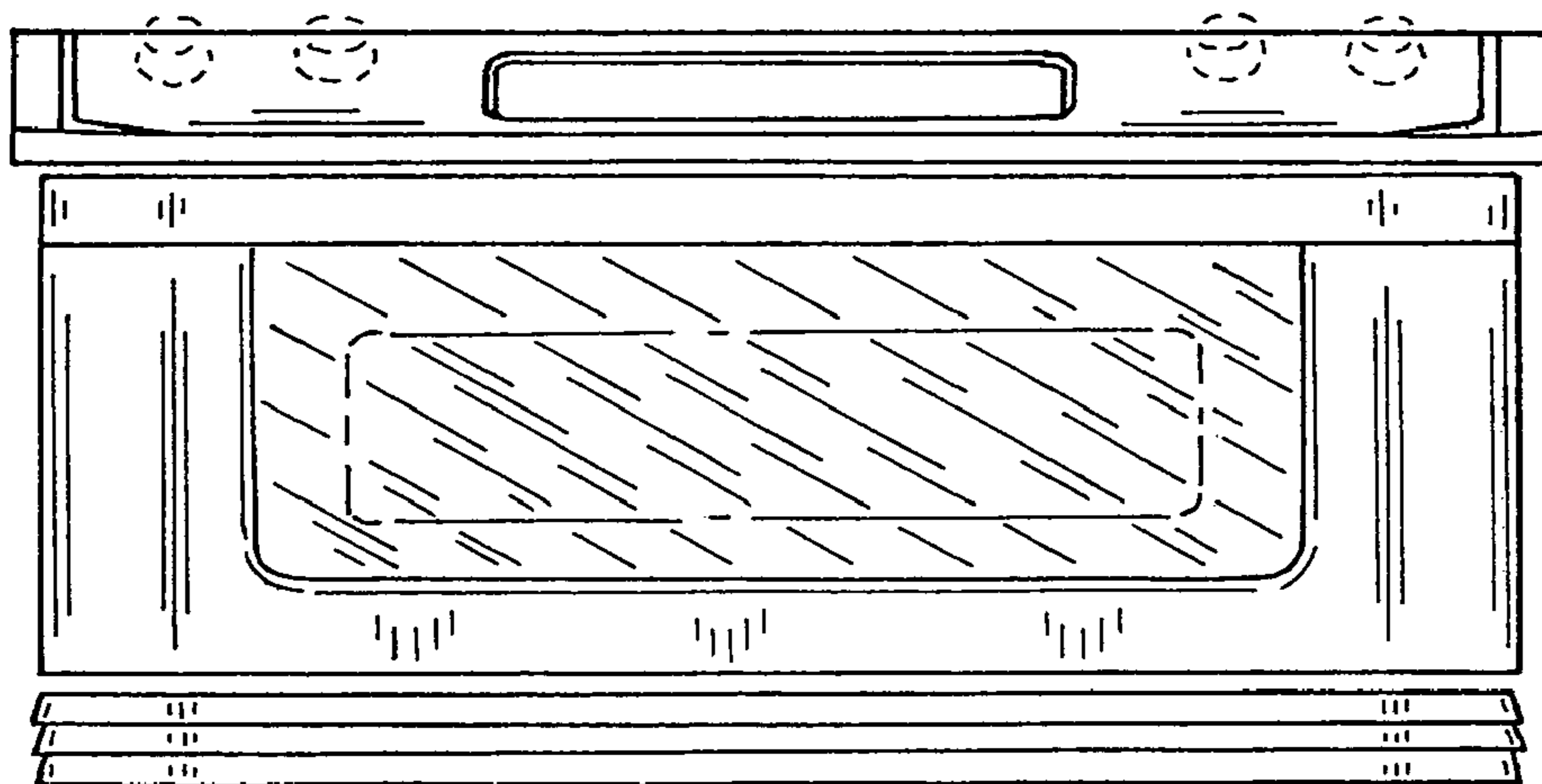


FIG. 5

