

US00D546116S

(12) **United States Design Patent**
Tseng

(10) **Patent No.:** **US D546,116 S**

(45) **Date of Patent:** **** Jul. 10, 2007**

(54) **GRILL**

(75) Inventor: **Jackie Tseng**, Chiayi Hsien (TW)

(73) Assignee: **Sing Chen International Co., Ltd.**,
Chiayi Hsien (TW)

(**) Term: **14 Years**

(21) Appl. No.: **29/255,534**

(22) Filed: **Mar. 8, 2006**

(51) **LOC (8) Cl.** **07-02**

(52) **U.S. Cl.** **D7/334**

(58) **Field of Classification Search** D7/332-337,
D7/402-405; D23/335-336, 343; 126/500,
126/506, 519, 40, 50, 9 R, 9 B, 25 R, 25 A,
126/304 R, 305, 268, 276, 41 R, 37 R; 99/445,
99/448, 481-482; 248/128-129; 312/249.8,
312/249.13, 351.2; D6/511, 574
See application file for complete search history.

(56) **References Cited**

U.S. PATENT DOCUMENTS

- D461,359 S * 8/2002 Coleman et al. D7/334
- D462,227 S * 9/2002 Alden et al. D7/334
- D471,057 S * 3/2003 Chung D7/334
- D485,467 S * 1/2004 Pai D7/334
- D497,280 S * 10/2004 Pai D7/334

- D499,928 S * 12/2004 Zhang D7/334
- D501,116 S * 1/2005 Zhang D7/334
- D526,842 S * 8/2006 Chung D7/402
- D528,349 S * 9/2006 Chung D7/334
- D533,010 S * 12/2006 Pai D7/334
- D533,011 S * 12/2006 Pai D7/334

* cited by examiner

Primary Examiner—Ruth McInroy

(74) *Attorney, Agent, or Firm*—Marger Johnson &
McCullom, P.C.

(57) **CLAIM**

I claim the ornamental design for a grill, as shown and described.

DESCRIPTION

FIG. 1 is a perspective view of a grill showing my new design;

FIG. 2 is a front elevational view thereof;

FIG. 3 is a rear elevational view thereof;

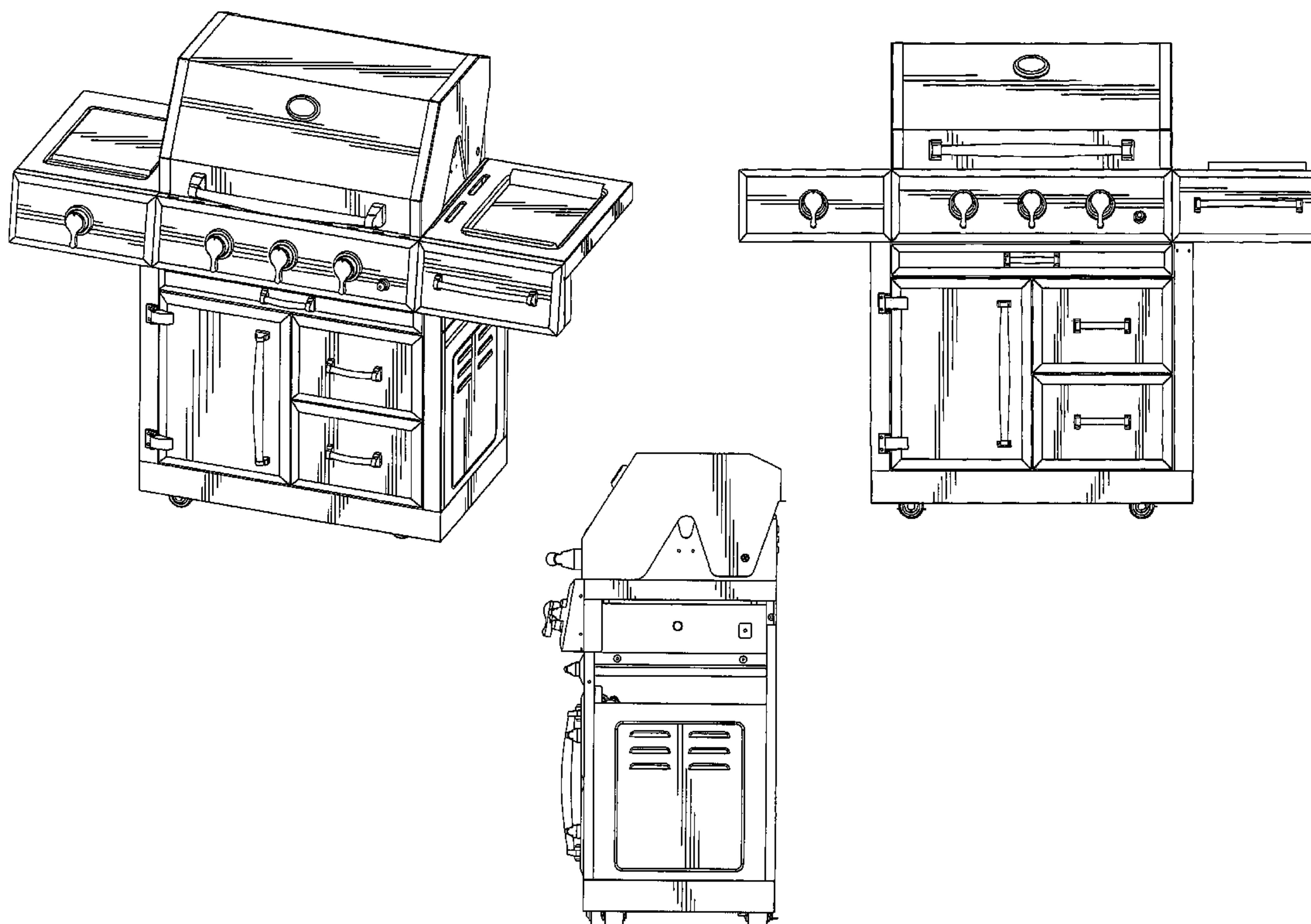
FIG. 4 is a left side elevational view thereof;

FIG. 5 is a right side elevational view thereof;

FIG. 6 is a top plan view thereof; and,

FIG. 7 is a bottom plan view thereof.

1 Claim, 6 Drawing Sheets



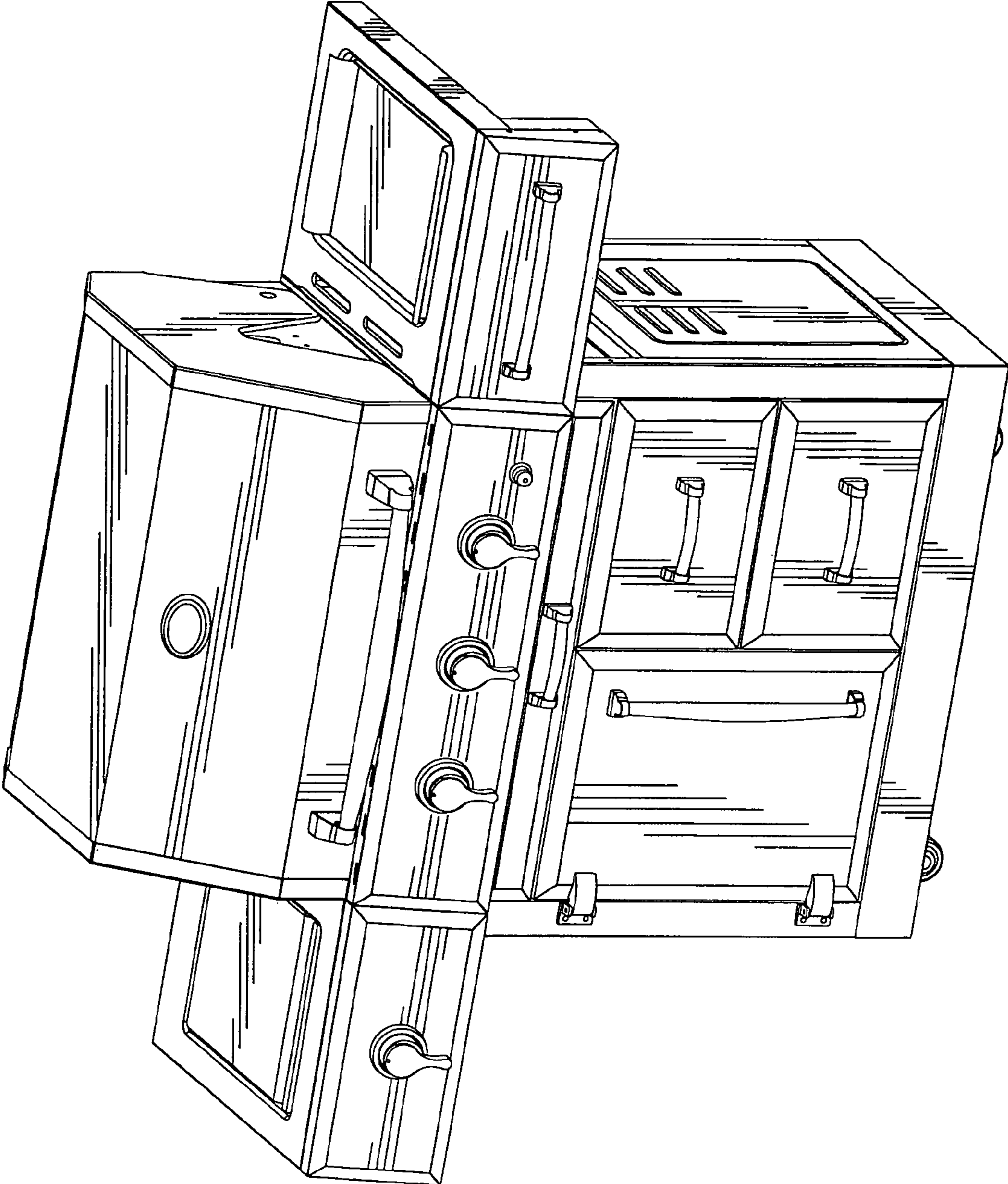


FIG. 1

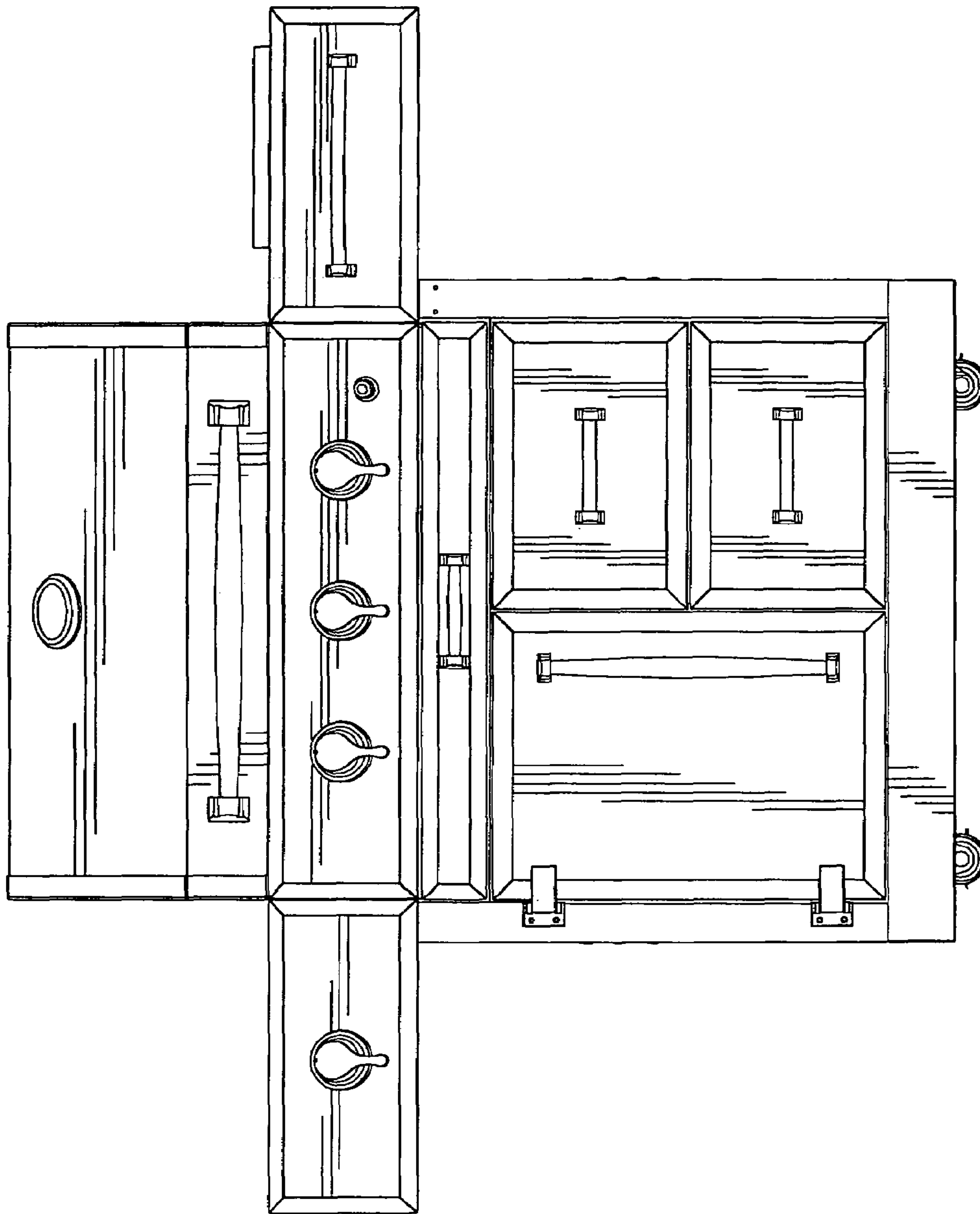


FIG. 2

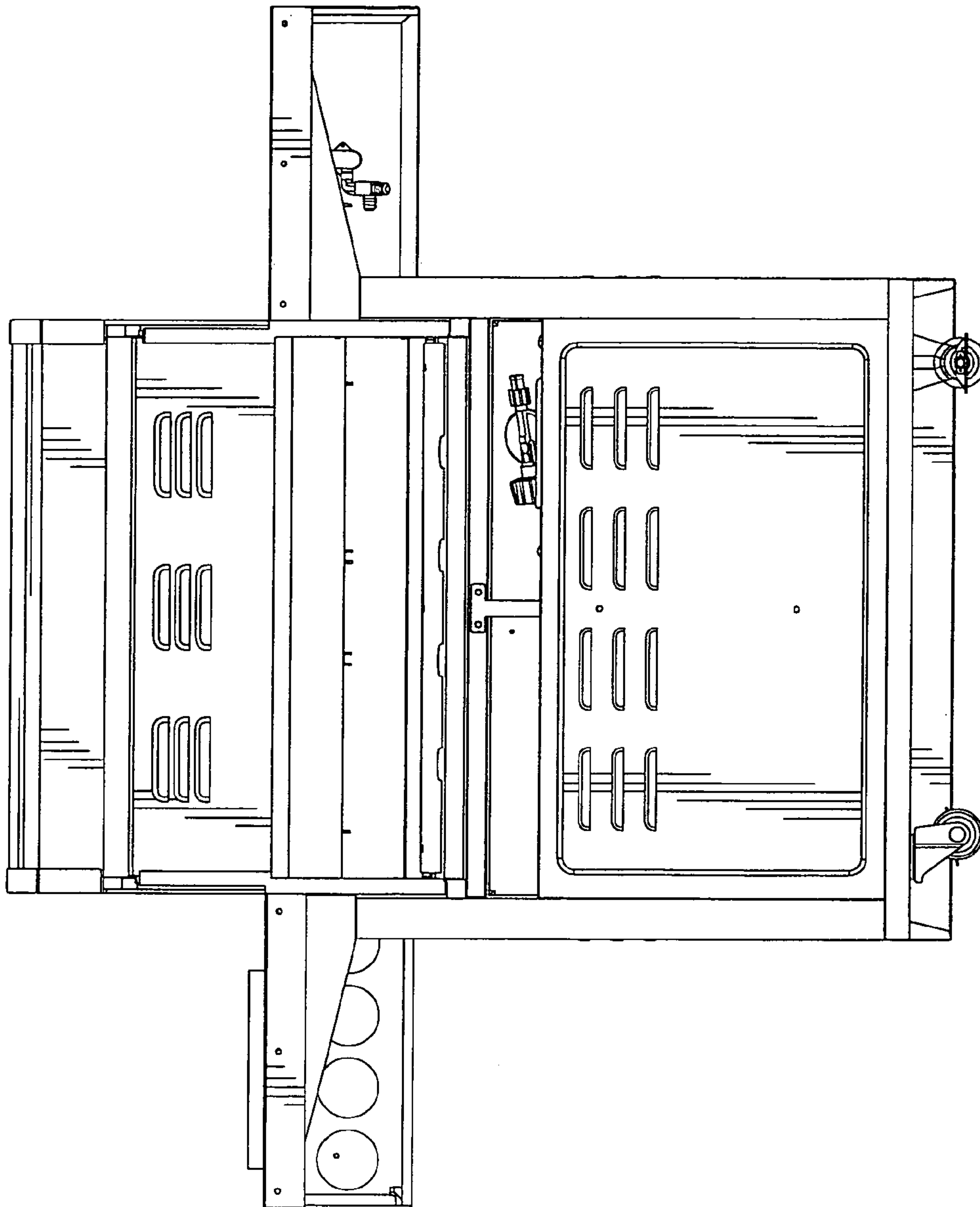


FIG. 3

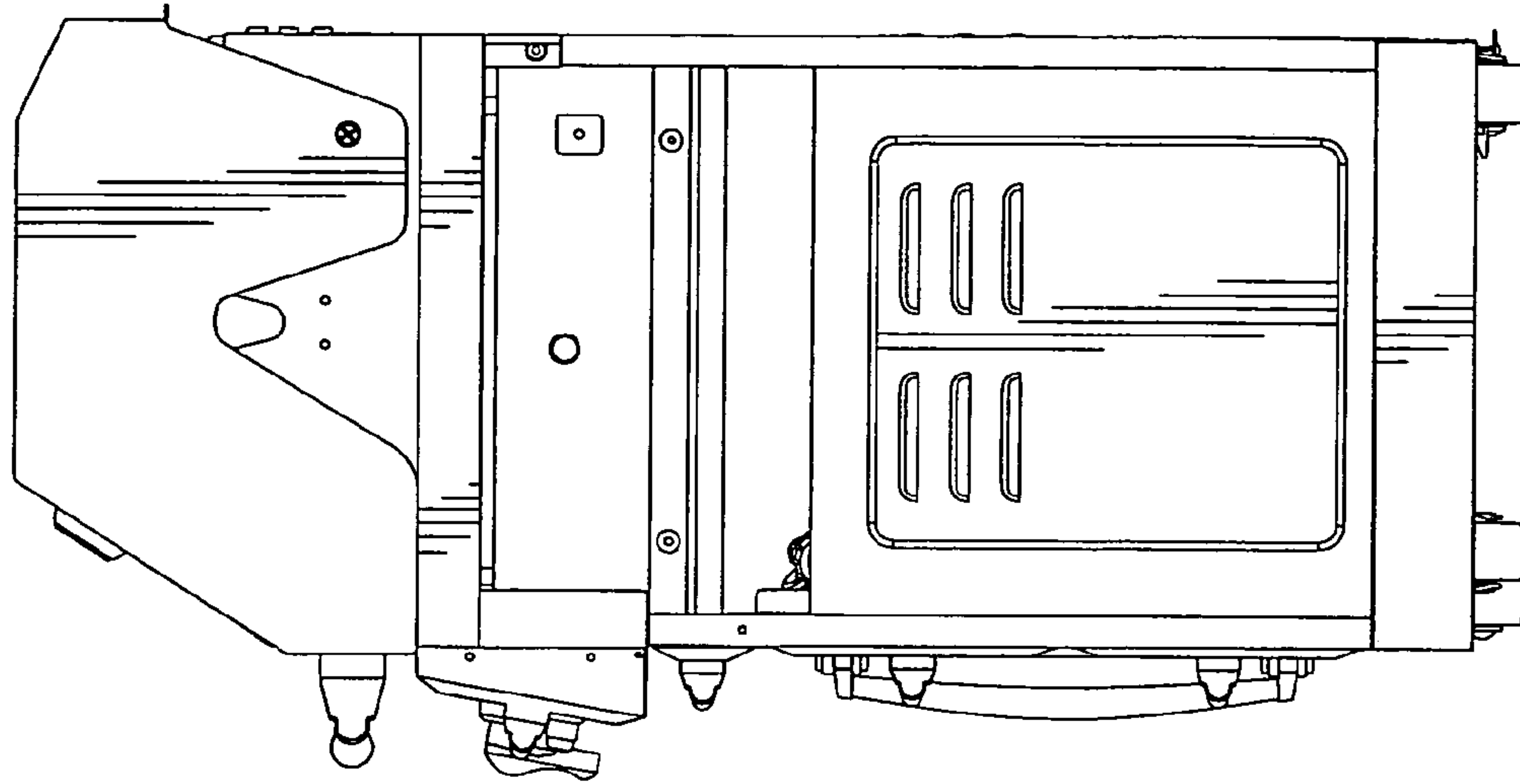


FIG. 5

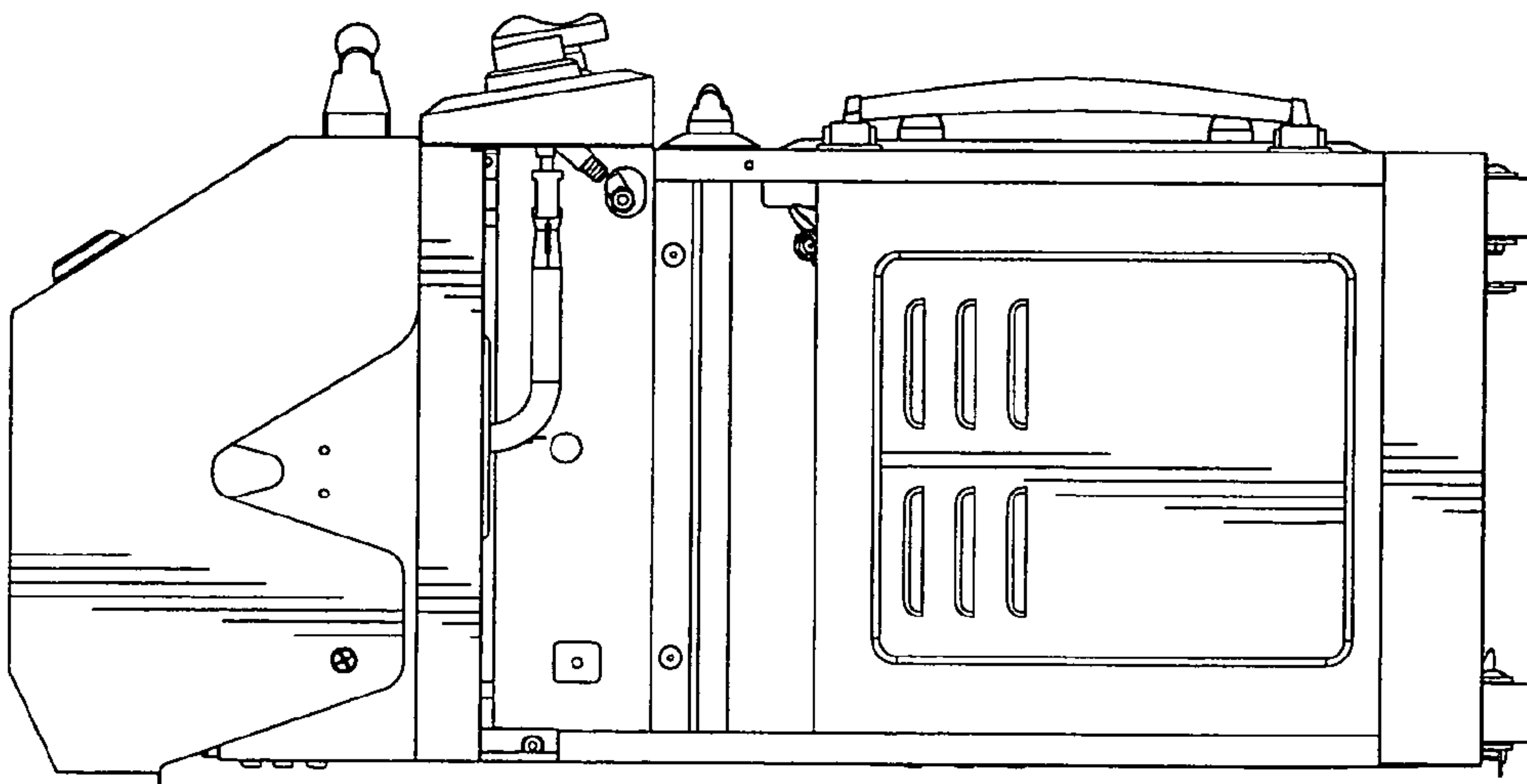


FIG. 4

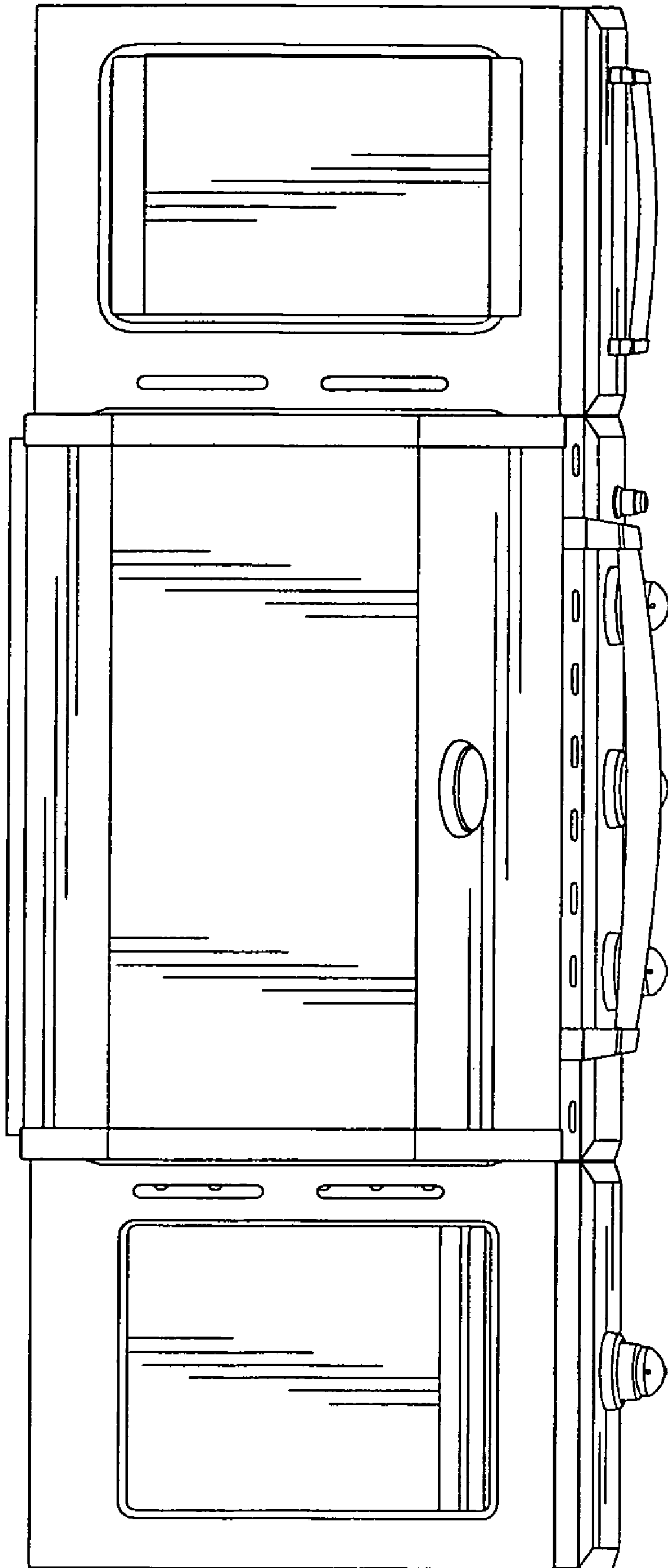


FIG. 6

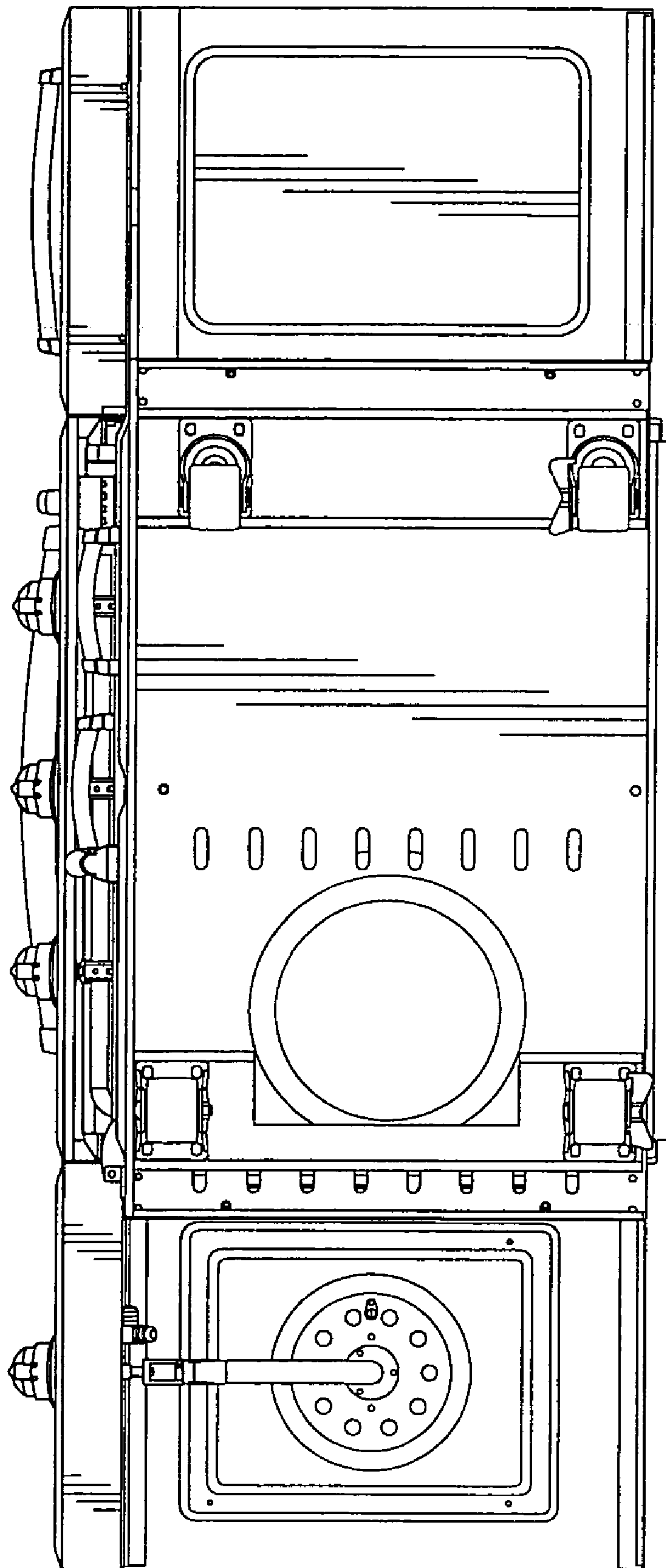


FIG. 7