

US00D546114S

(12) **United States Design Patent**  
**Reiner**

(10) **Patent No.:** **US D546,114 S**

(45) **Date of Patent:** **\*\* Jul. 10, 2007**

(54) **PORTABLE HIKING STOVE**

(76) Inventor: **Scott Reiner**, 10681 Labumham Cir.,  
Truckee, CA (US) 96161

(\*\*) Term: **14 Years**

(21) Appl. No.: **29/219,293**

(22) Filed: **Dec. 16, 2004**

(51) **LOC (8) Cl.** ..... **07-02**

(52) **U.S. Cl.** ..... **D7/332**

(58) **Field of Classification Search** ..... D7/416-417,  
D7/332-337, 402-405; 126/9 R, 9 B, 9 C,  
126/29-30, 25 R, 39 R, 43, 50, 40, 38; 110/241  
See application file for complete search history.

D259,617 S *	6/1981	Braxton, III	.....	D7/332
4,331,125 A	5/1982	Storandt		
4,351,314 A	9/1982	Morton		
D276,302 S *	11/1984	Thomas et al.	.....	D7/332
4,503,835 A *	3/1985	Williams	.....	126/25 B
4,532,910 A	8/1985	Longley, Jr.		
4,794,906 A	1/1989	Longley, Jr.		
4,907,140 A	3/1990	Overstreet		
5,134,990 A	8/1992	Bradfield		
D329,162 S *	9/1992	Dutro et al.	.....	D7/332
5,264,996 A	11/1993	Bele et al.		
5,269,286 A	12/1993	Cowan		
5,329,917 A	7/1994	Young		
5,404,864 A	4/1995	Kent, Jr.		
5,682,872 A	11/1997	Whitted		
D423,867 S *	5/2000	Cael et al.	.....	D7/332
6,532,950 B2 *	3/2003	Meurer	.....	126/29
6,851,419 B2 *	2/2005	Reiner	.....	126/9 B

(56) **References Cited**

**U.S. PATENT DOCUMENTS**

492,896 A	3/1893	Sohner		
610,194 A	9/1898	Neil		
713,531 A	11/1902	Taylor		
736,605 A	8/1903	Duket		
902,036 A	10/1908	Williams		
1,207,553 A	12/1916	Hill		
1,298,116 A	3/1919	Stonebridge		
1,584,940 A	5/1926	Hornecker		
1,879,837 A	9/1932	Bierlich		
2,173,166 A	9/1939	Hoelscher		
2,488,014 A	11/1949	Higman		
2,627,263 A	1/1953	Anderson		
3,025,849 A	3/1962	Zimmerman		
3,109,420 A	11/1963	Ott et al.		
3,384,066 A	5/1968	Tufts		
D220,150 S *	3/1971	Roestenberg	.....	D7/332
3,683,886 A	8/1972	Metzner et al.		
4,186,716 A *	2/1980	Baker et al.	.....	126/29
4,211,206 A	7/1980	Darbo		

\* cited by examiner

*Primary Examiner*—Ruth McInroy

(74) *Attorney, Agent, or Firm*—Buchanan Ingersoll & Rooney PC

(57) **CLAIM**

I claim the ornamental design for a portable hiking stove, as shown and described.

**DESCRIPTION**

FIG. 1 is a top perspective view of the portable hiking stove. FIG. 2 is a top plan view of the portable hiking stove; and, FIG. 3 is a side elevation view of the portable hiking stove. The dotted lines are for illustrative purposes only and form no part of the claimed design.

**1 Claim, 3 Drawing Sheets**

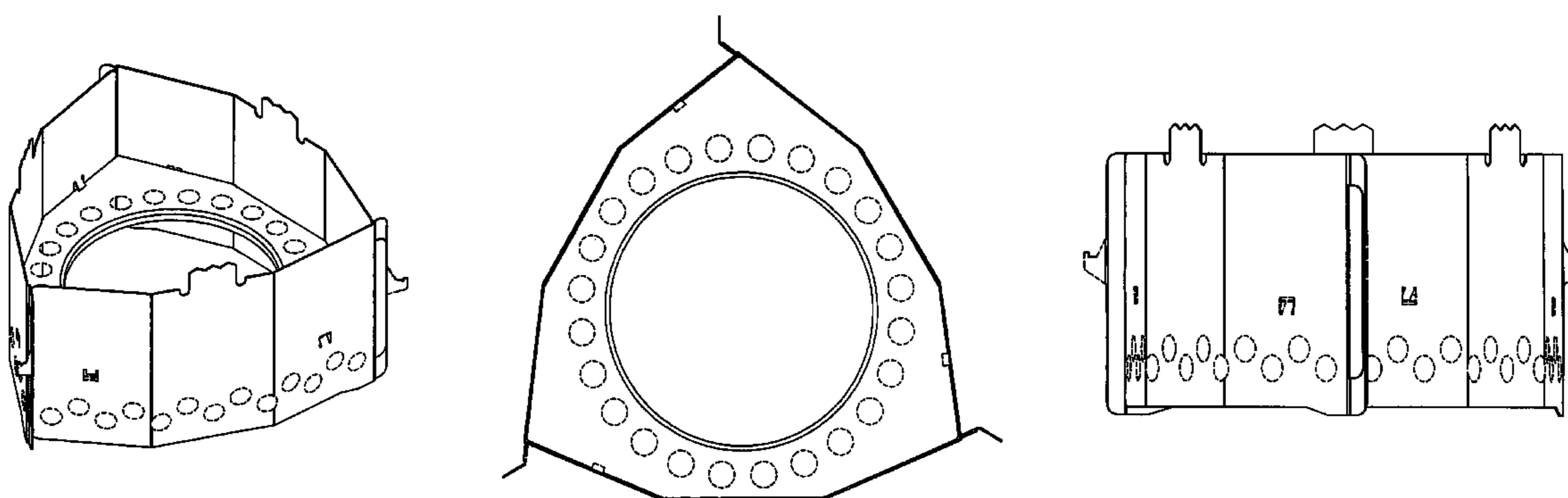


FIG. 1

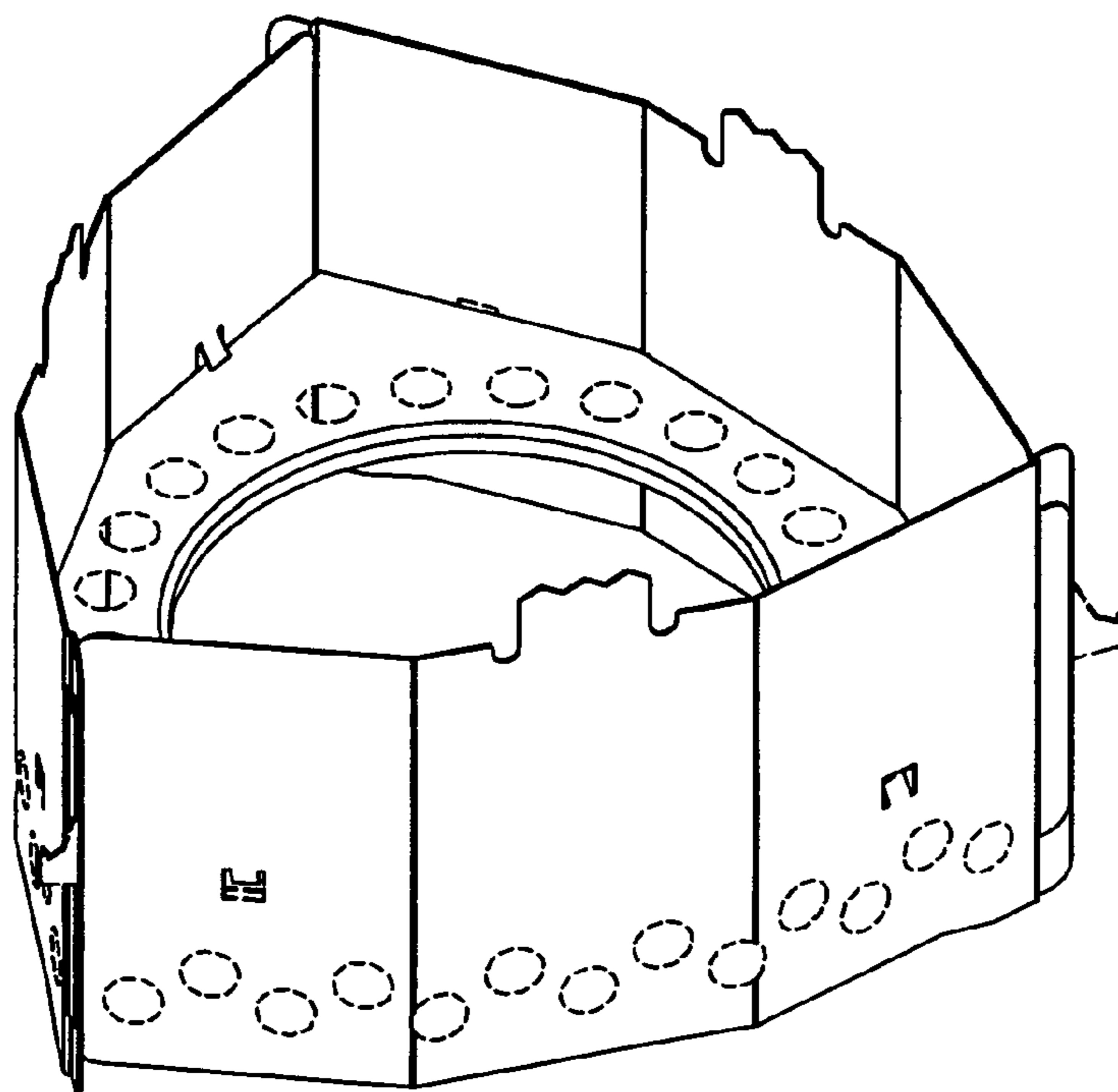


FIG.2

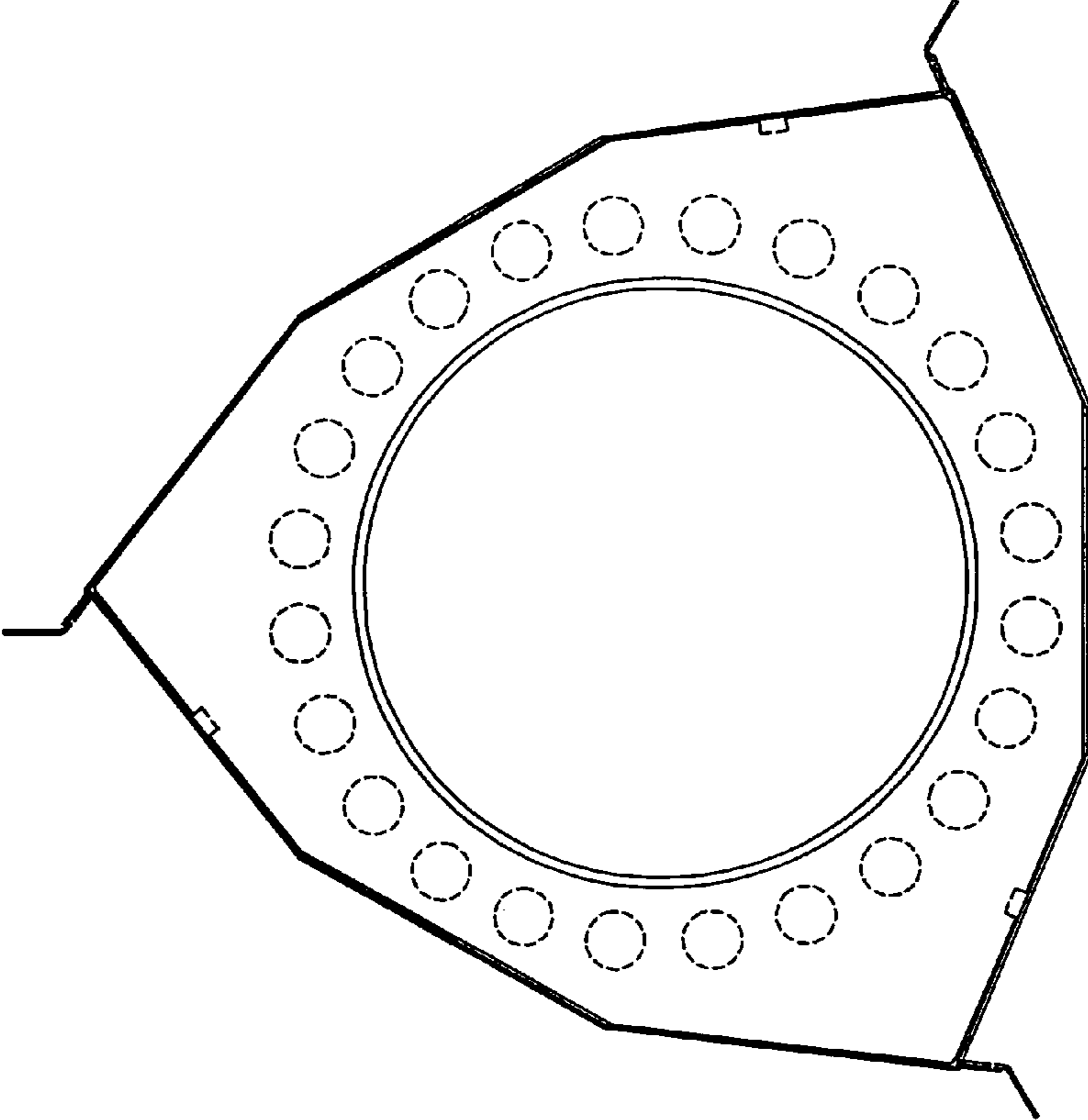


FIG. 3

