

US00D546112S

(12) **United States Design Patent**
Rorke et al.

(10) **Patent No.:** **US D546,112 S**
(45) **Date of Patent:** **** Jul. 10, 2007**

(54) **COFFEEMAKER**

(75) Inventors: **Brooks Rorke**, Guilford, CT (US);
Daniel Sumser, Lake Worth, FL (US);
Augusto Picozza, Boca Raton, FL
(US); **Kenneth R. Parker**, Delray
Beach, FL (US)

(73) Assignee: **Sunbeam Products, Inc.**, Boca Raton,
FL (US)

(**) Term: **14 Years**

(21) Appl. No.: **29/252,540**

(22) Filed: **Jan. 23, 2006**

(51) **LOC (8) Cl.** **07-01**

(52) **U.S. Cl.** **D7/309; D7/311**

(58) **Field of Classification Search** D7/309-311,
D7/300, 305-308; 99/295, 292, 303, 286,
99/279, 304, 306; 219/433

See application file for complete search history.

(56) **References Cited**

U.S. PATENT DOCUMENTS

D248,720	S	*	8/1978	Sato et al.	D7/309
4,558,640	A	*	12/1985	Marchant	99/307
D296,971	S	*	8/1988	Stutzer	D7/309
D300,596	S	*	4/1989	Eugster	D7/309
4,998,463	A	*	3/1991	Precht et al.	99/300
D329,160	S	*	9/1992	Choi	D7/309
D343,758	S	*	2/1994	Beeren	D7/309
D360,333	S	*	7/1995	Wai	D7/309

D371,270	S	*	7/1996	Bell et al.	D7/309
D439,103	S	*	3/2001	Cruz	D7/309
D446,989	S	*	8/2001	Cruz	D7/309
D462,226	S	*	9/2002	Williamson et al.	D7/309
6,586,710	B2	*	7/2003	Williamson	219/433
D481,902	S	*	11/2003	O'Connor et al.	D7/309
D497,278	S	*	10/2004	Picozza et al.	D7/309
D498,110	S	*	11/2004	Picozza et al.	D7/309
D511,066	S	*	11/2005	Garner	D7/309
D530,969	S	*	10/2006	Lin	D7/309
7,146,904	B2	*	12/2006	Scribner	99/300

* cited by examiner

Primary Examiner—M. N. Pandozzi

(74) *Attorney, Agent, or Firm*—Lawrence J. Shurupoff

(57) **CLAIM**

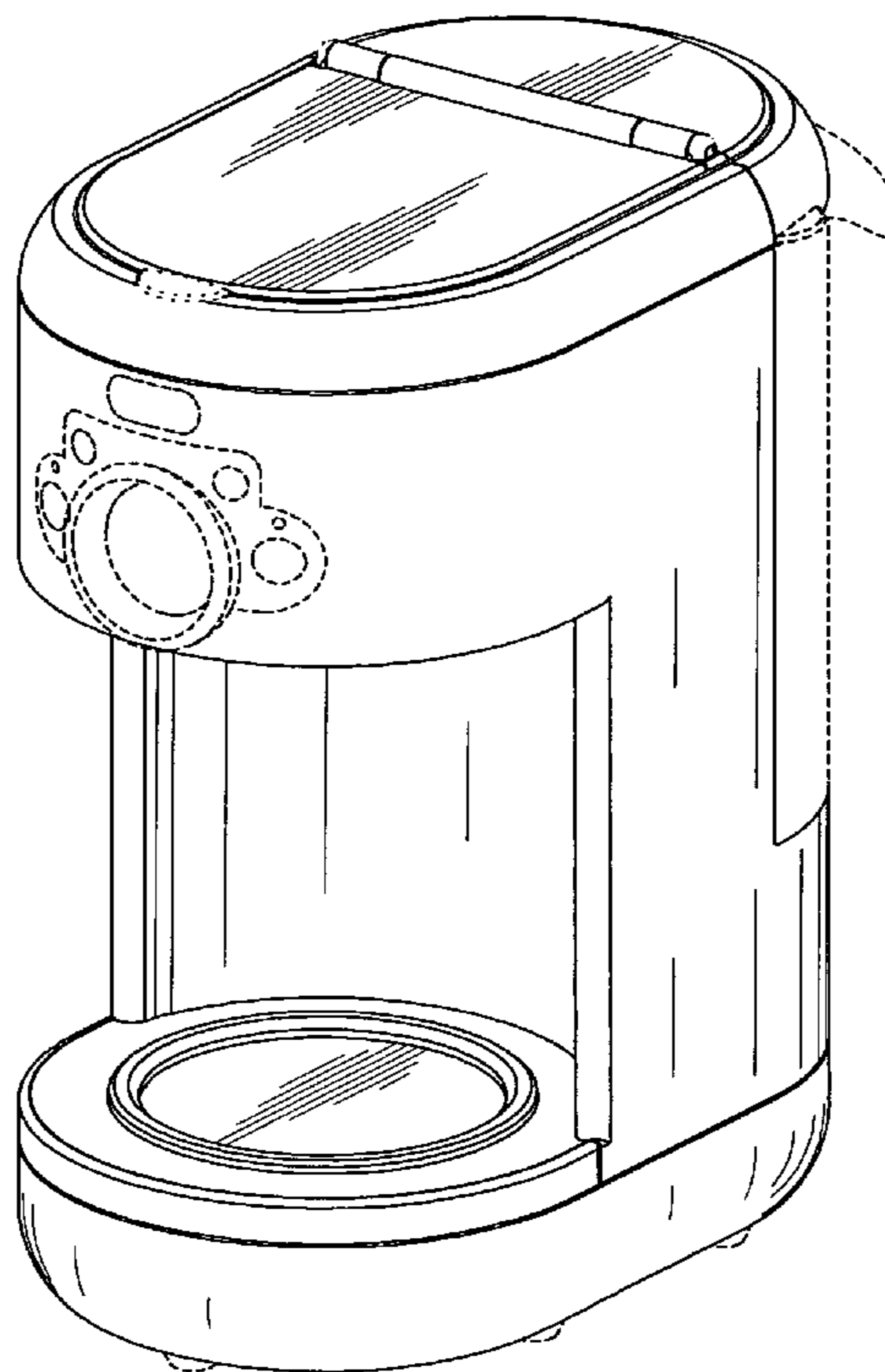
The ornamental design for a coffeemaker, as shown and described.

DESCRIPTION

FIG. 1 is a right top front perspective view of a coffeemaker;
FIG. 2 is a left side elevational view thereof;
FIG. 3 is a front elevational view thereof;
FIG. 4 is a right side elevational view thereof;
FIG. 5 is a rear elevational view thereof; and,
FIG. 6 is a top plan view thereof.

The broken lines in the drawings are for illustrative purposes only and form no part of the claimed design.

1 Claim, 6 Drawing Sheets



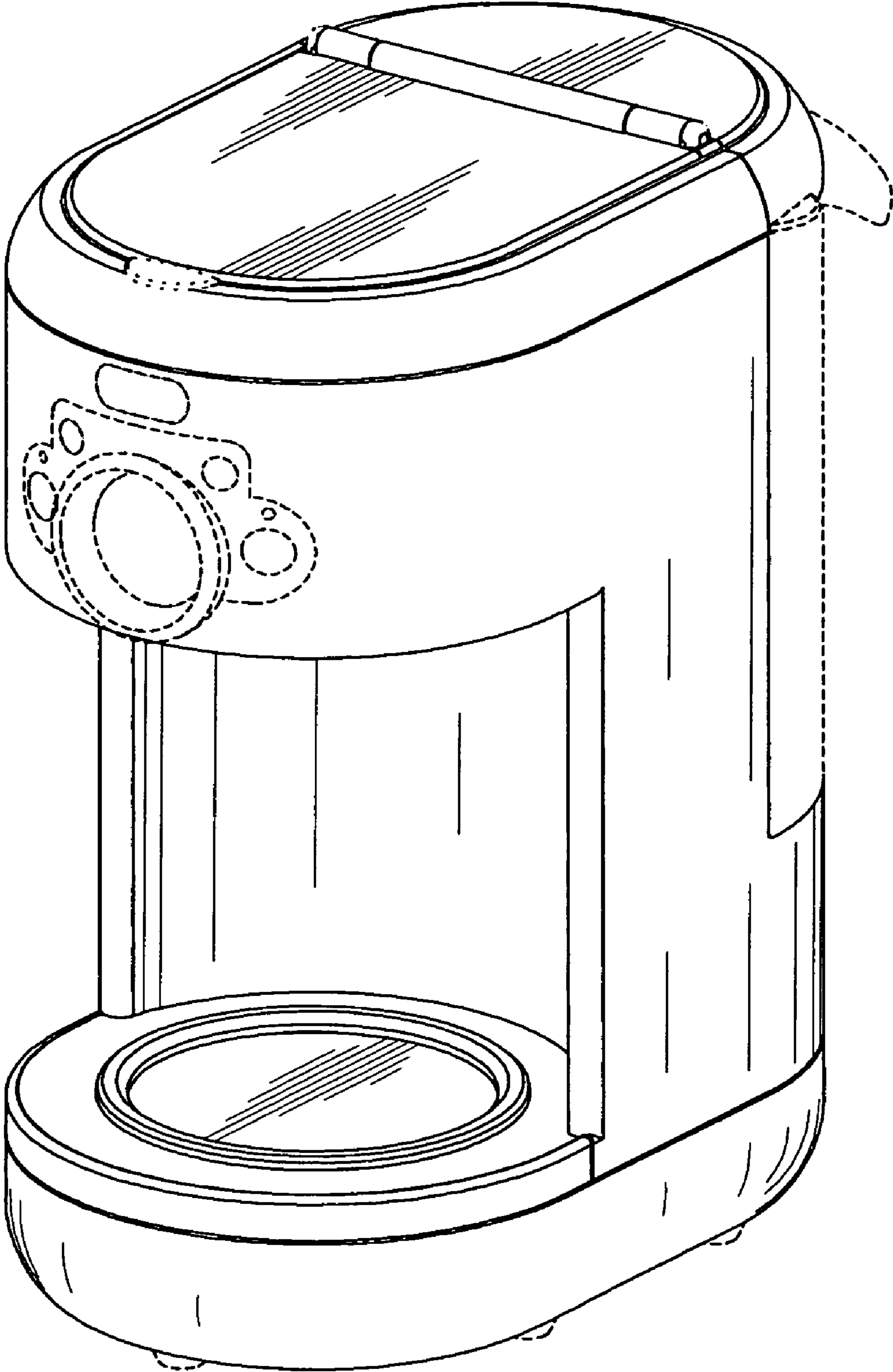


FIG 1

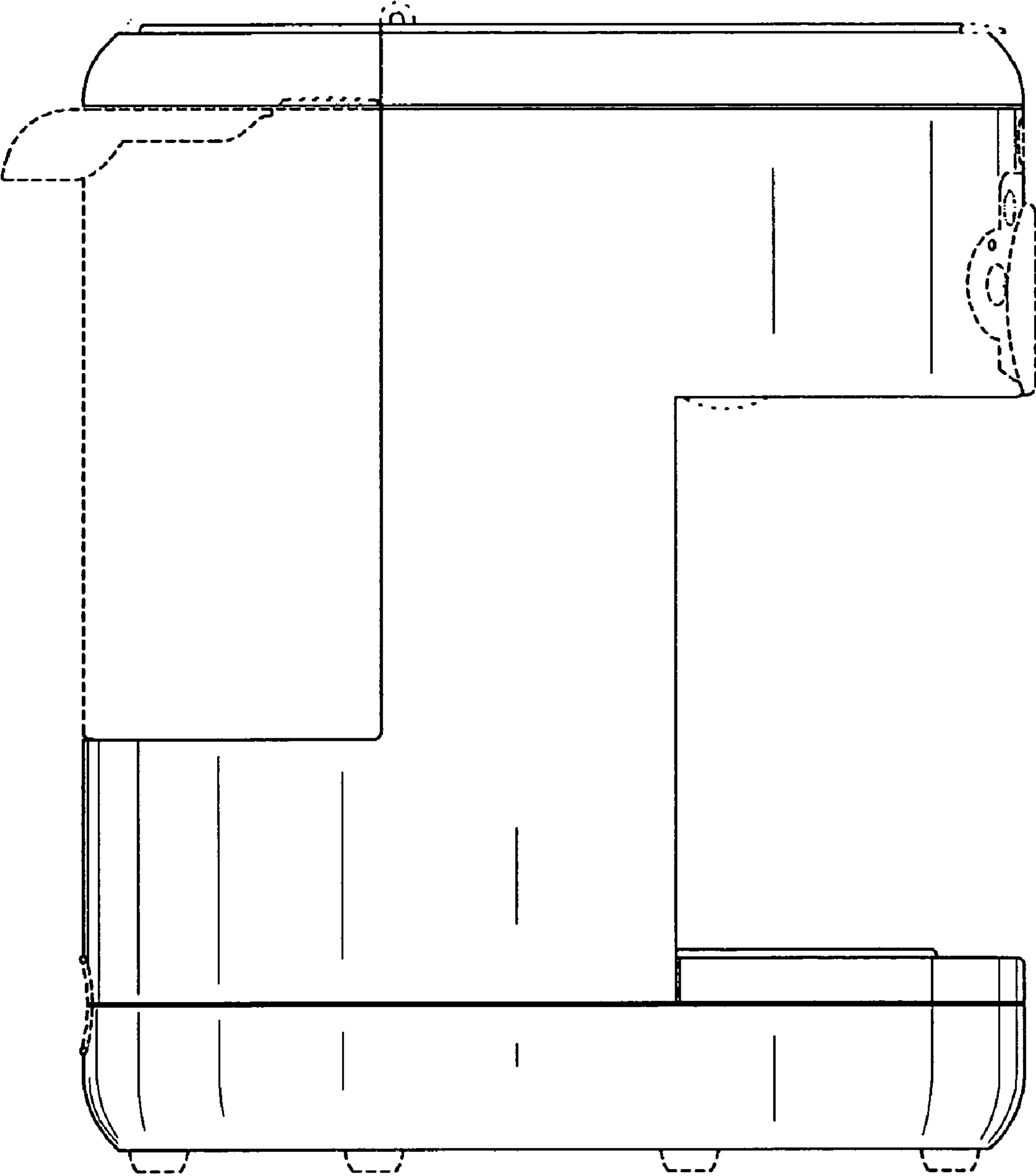


FIG 2

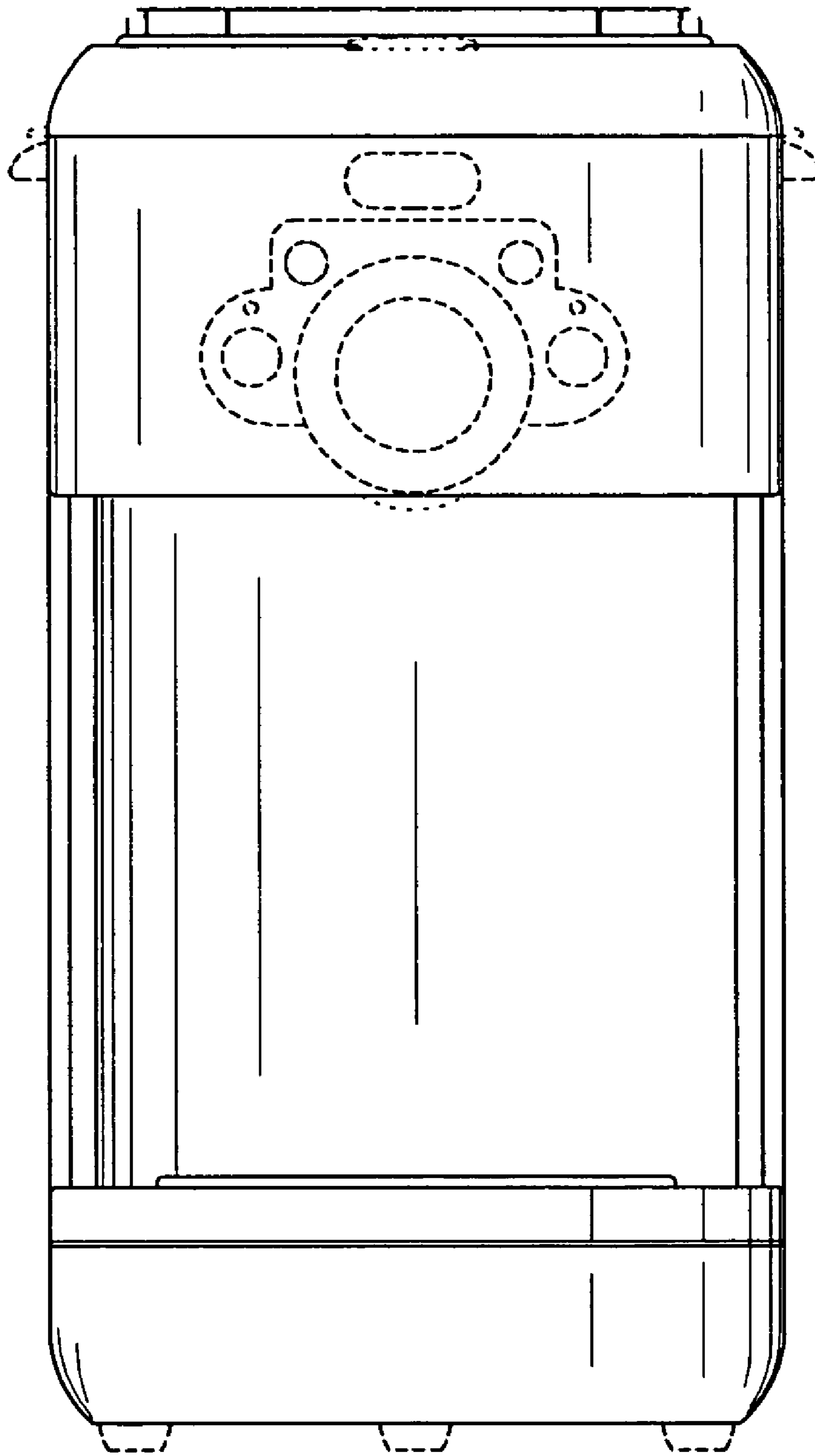


FIG 3

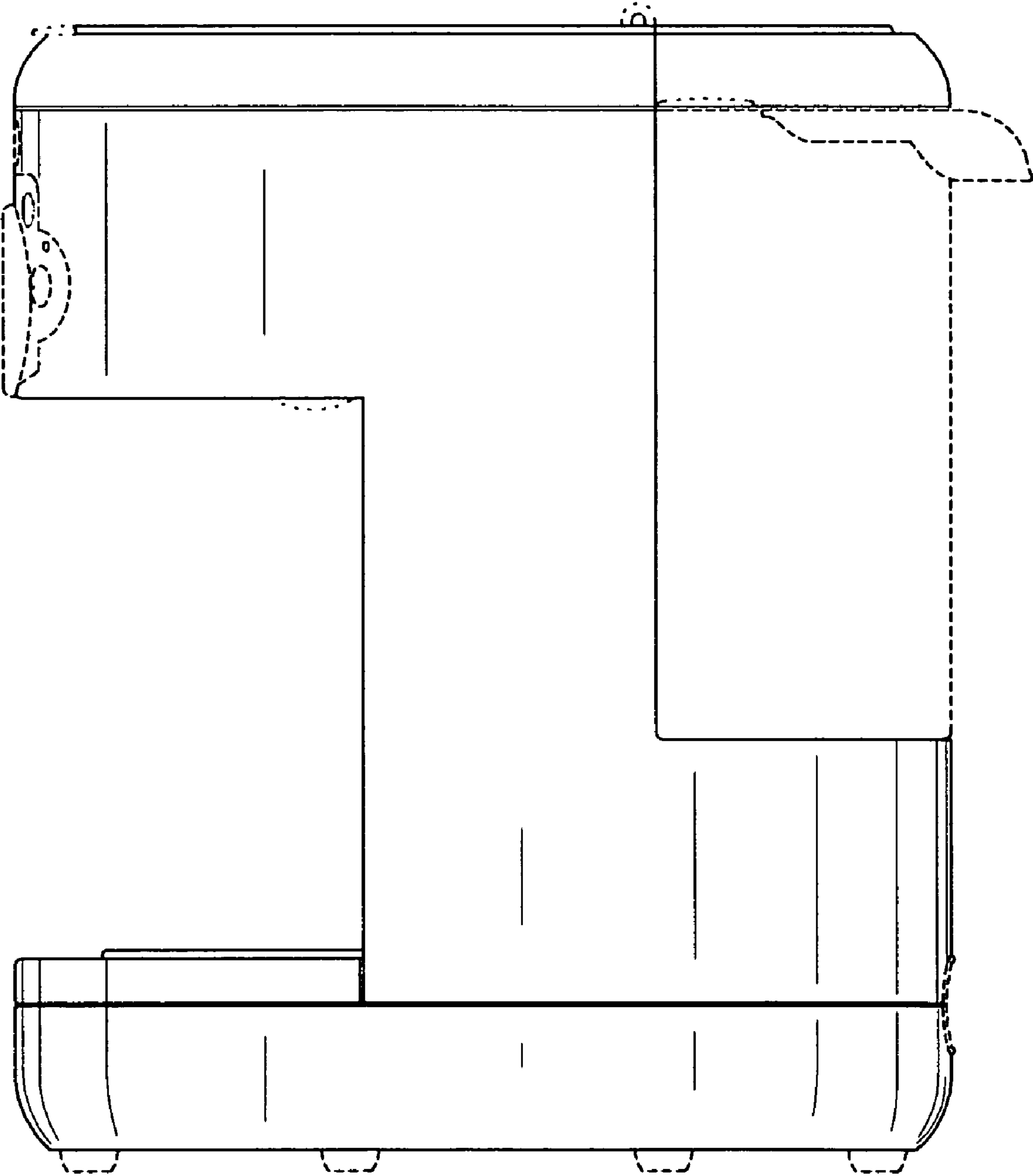


FIG 4

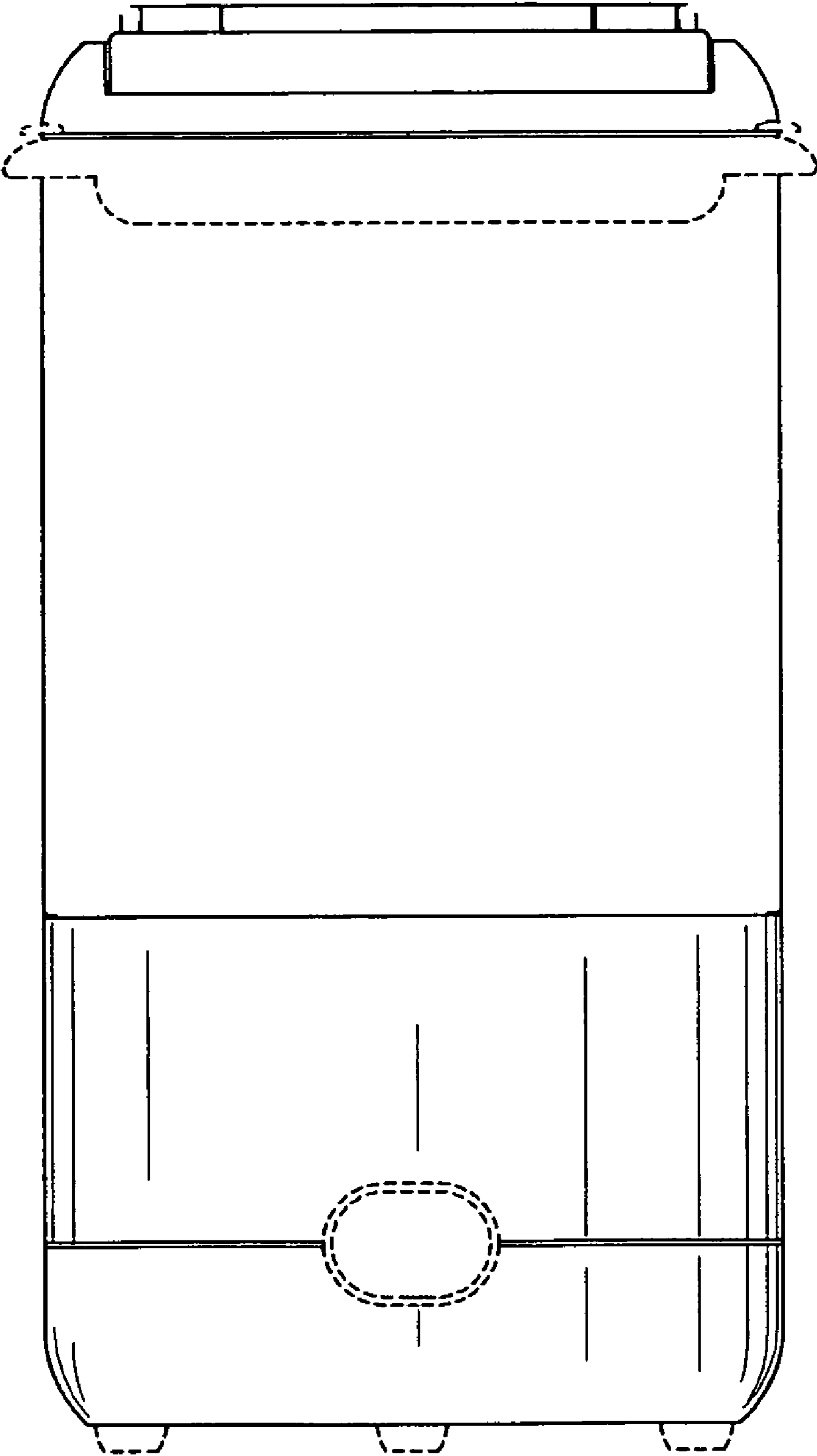


FIG 5

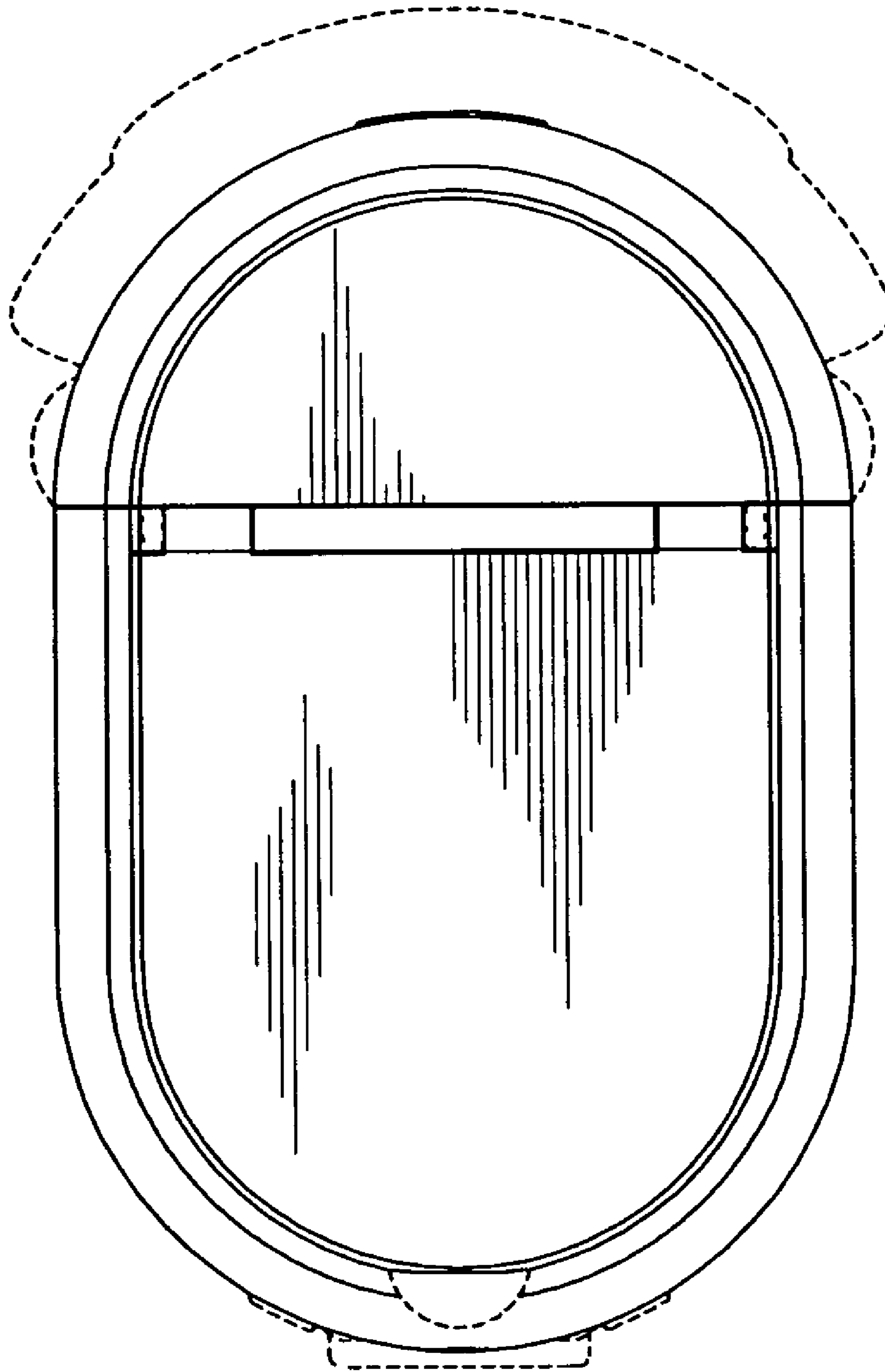


FIG 6