



US00D546111S

(12) **United States Design Patent**
Kim

(10) **Patent No.:** **US D546,111 S**

(45) **Date of Patent:** **** Jul. 10, 2007**

(54) **COFFEE MAKER-COMBINED MICROWAVE OVEN**

(75) Inventor: **Sung Woo Kim**, Seoul (KR)

(73) Assignee: **LG Electronics Inc.**, Seoul (KR)

(**) Term: **14 Years**

(21) Appl. No.: **29/229,209**

(22) Filed: **May 5, 2005**

(30) **Foreign Application Priority Data**

Nov. 6, 2004 (KR) 30-2004-0033954

(51) **LOC (8) Cl.** **07-01**

(52) **U.S. Cl.** **D7/305; D7/351; D7/311**

(58) **Field of Classification Search** D7/305-308,
D7/309-311, 300, 351; D15/86; 219/679,
219/757, 685, 698; 315/39.51; 99/DIG. 14,
99/341

See application file for complete search history.

(56) **References Cited**

U.S. PATENT DOCUMENTS

- D290,215 S * 6/1987 Sonnentag et al. D7/309
- D302,227 S * 7/1989 Kubo et al. D7/351
- D340,831 S * 11/1993 Manabe D7/305
- D373,775 S * 9/1996 Andrade D15/86
- D409,432 S * 5/1999 O'Keefe D7/309
- D415,650 S * 10/1999 Hessen et al. D7/351
- D430,452 S * 9/2000 Noda et al. D7/351
- 6,420,690 B1 * 7/2002 Kim 219/757

- D475,236 S * 6/2003 Lai D7/350.1
- D478,465 S * 8/2003 Kanza D7/351
- D479,431 S * 9/2003 Jung et al. D7/351
- D479,782 S * 9/2003 Jung et al. D7/351
- 6,737,620 B2 * 5/2004 Kim 219/679
- 6,768,090 B2 * 7/2004 Kang 219/757
- 6,812,444 B2 * 11/2004 Ahn 219/757
- D518,681 S * 4/2006 Shin D7/351
- 7,026,762 B2 * 4/2006 Shon et al. 315/39.51
- 7,135,663 B2 * 11/2006 Kang 219/757
- D535,141 S * 1/2007 Lee et al. D7/351

* cited by examiner

Primary Examiner—M. N. Pandozzi

(74) *Attorney, Agent, or Firm*—Birch, Stewart, Kolasch & Birch, LLP

(57) **CLAIM**

The ornamental design for a coffee maker-combined microwave oven, as shown and described.

DESCRIPTION

FIG. 1 is a perspective view of coffee maker-combined microwave oven showing the new design:

FIG. 2 is a front elevation view thereof;

FIG. 3 is a rear elevation view thereof;

FIG. 4 is a left-side elevation view thereof;

FIG. 5 is a right-side elevation view thereof;

FIG. 6 is a top plan view thereof; and,

FIG. 7 is a bottom plan view thereof.

1 Claim, 4 Drawing Sheets

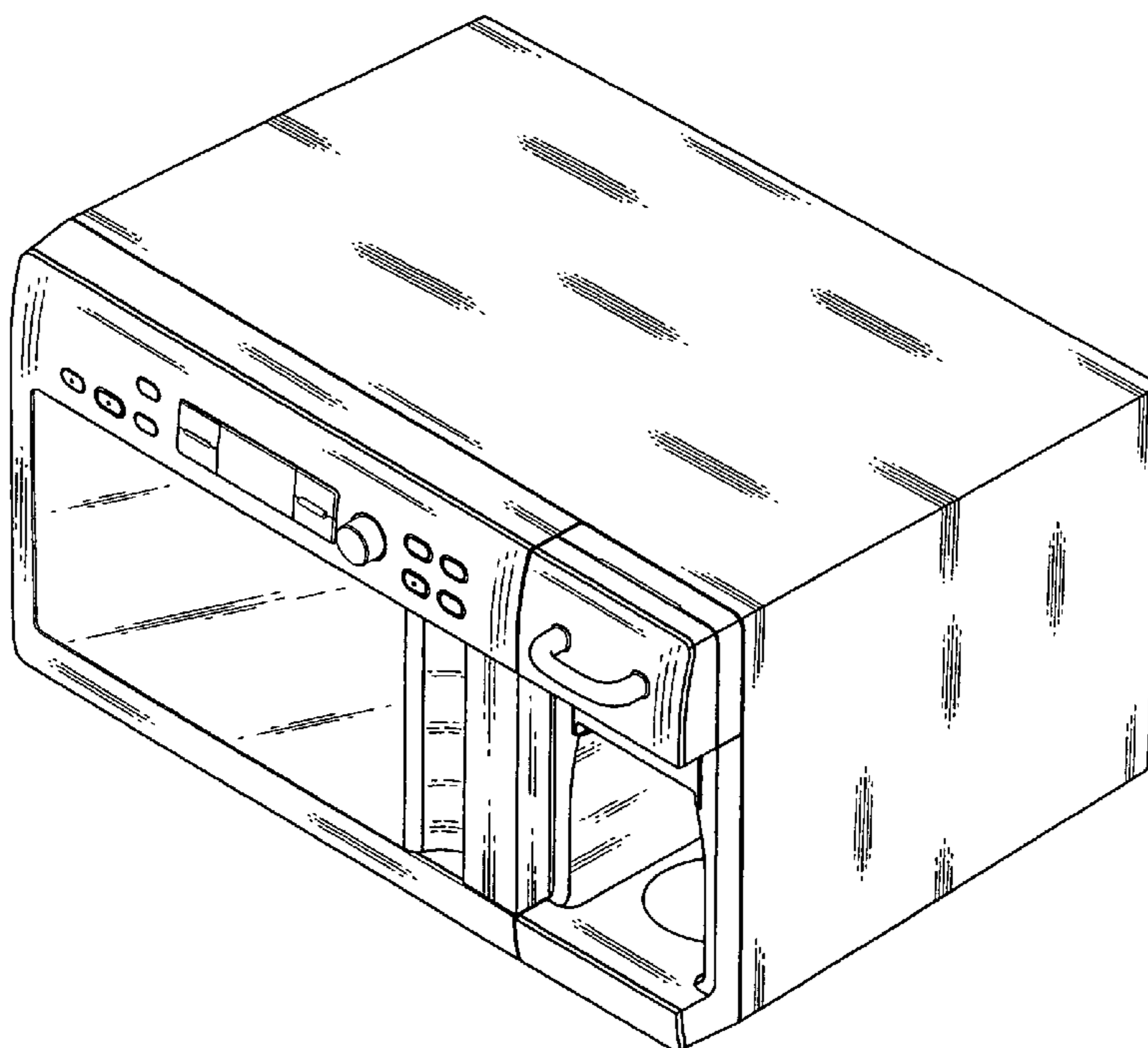


FIG. 1

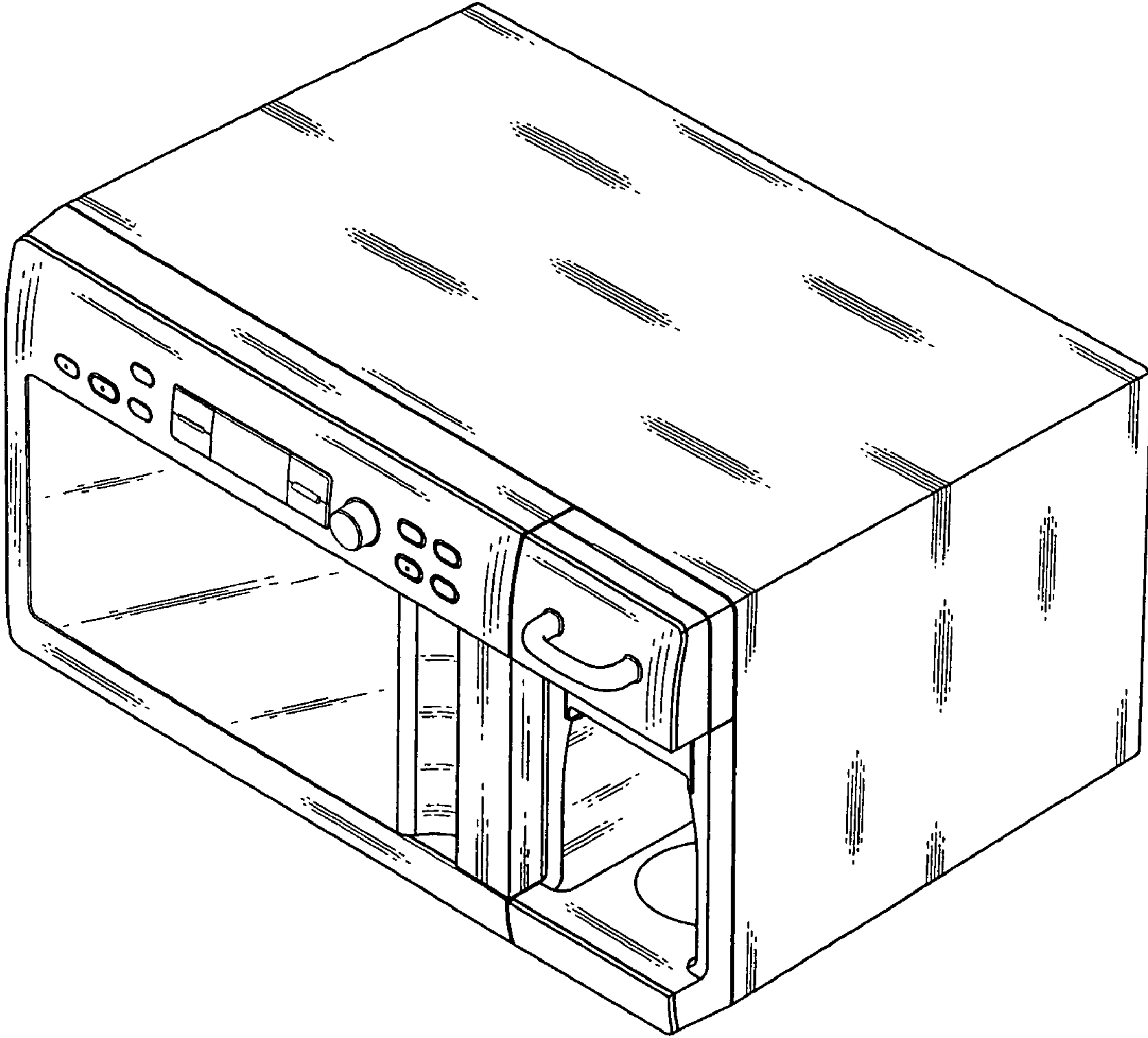


FIG. 2

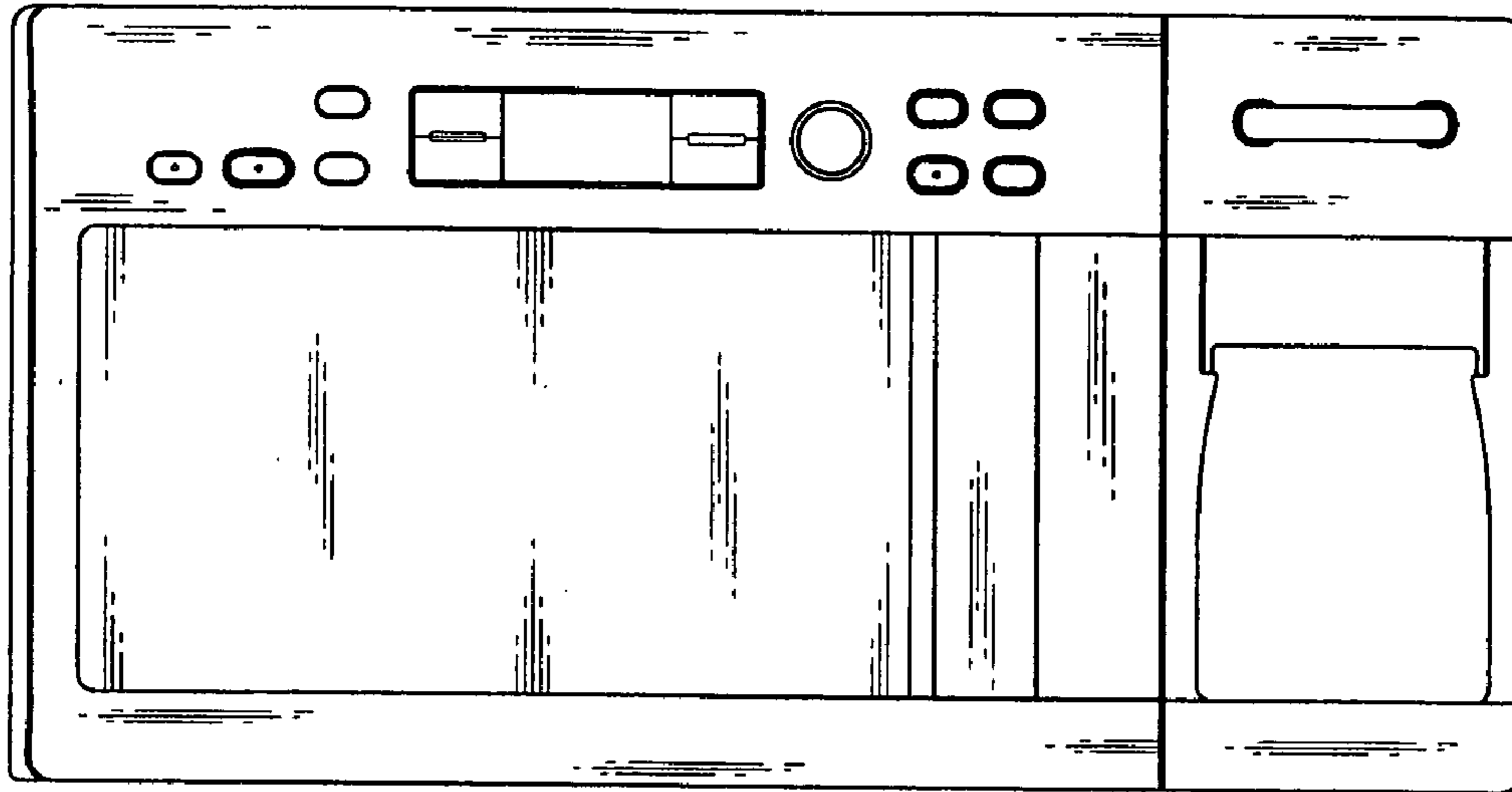


FIG. 3

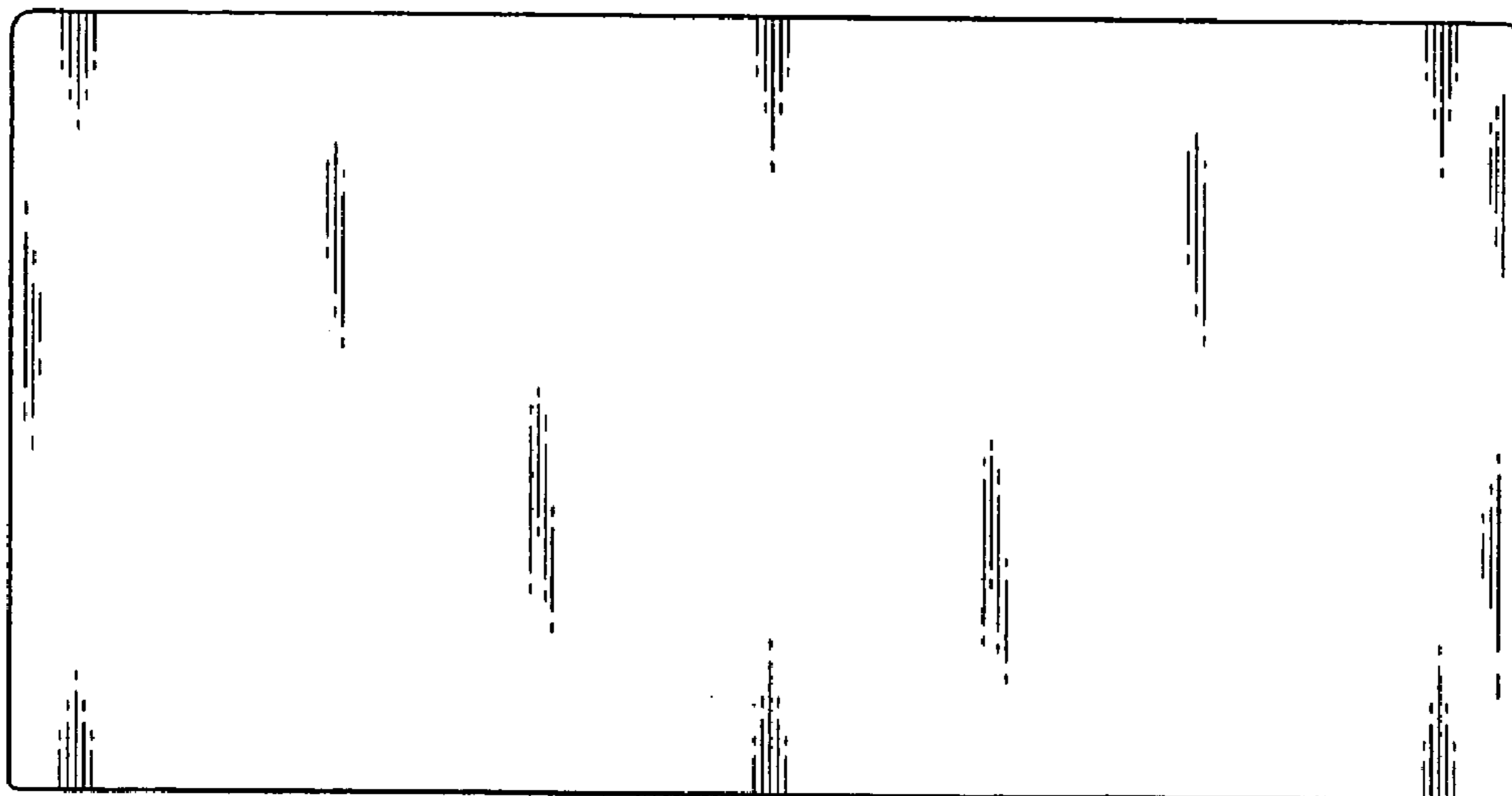


FIG. 4

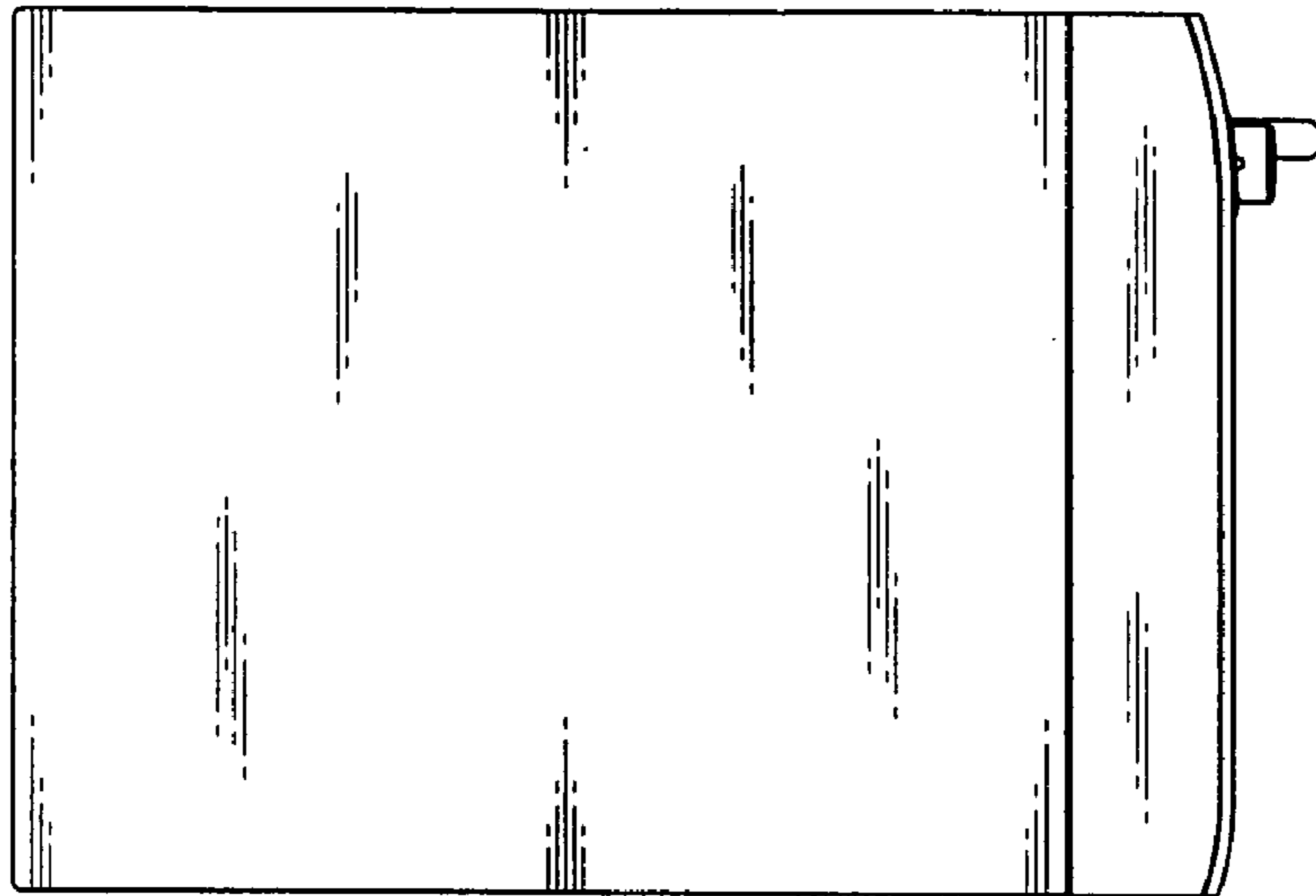


FIG. 5

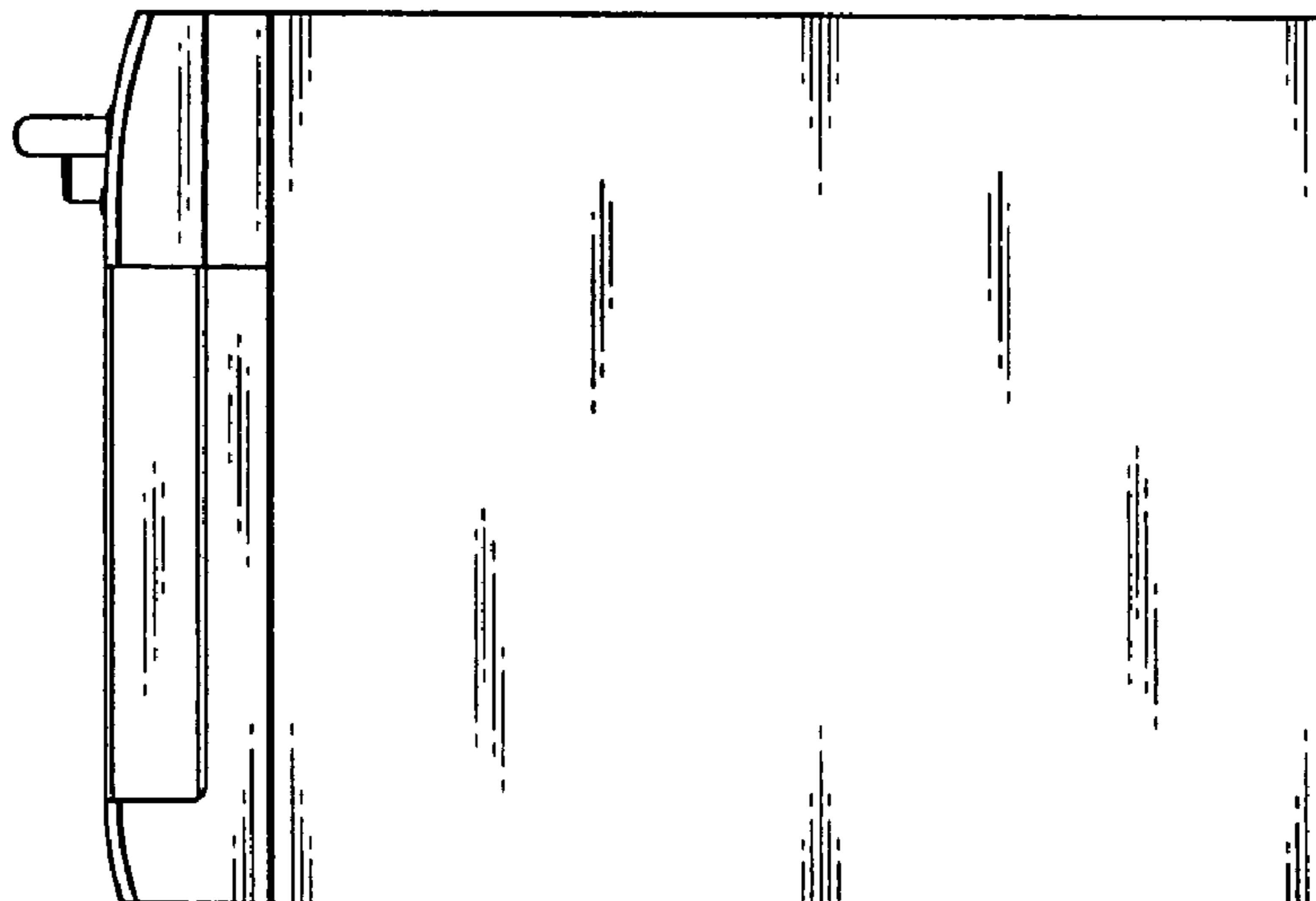


FIG. 6

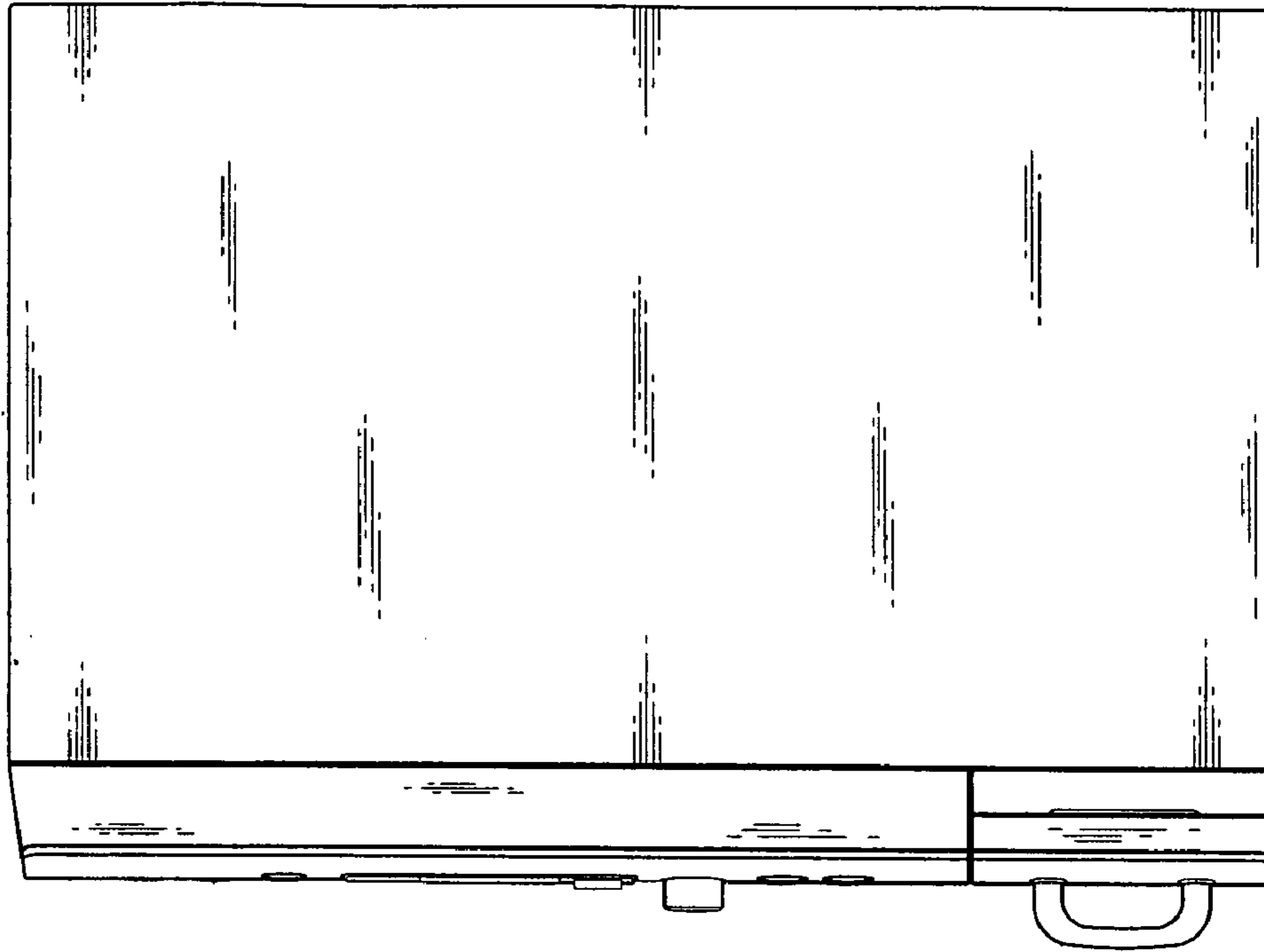


FIG. 7

