



US00D546109S

(12) **United States Design Patent** (10) **Patent No.:** **US D546,109 S**
Doyle (45) **Date of Patent:** **** Jul. 10, 2007**

(54) **DISC CONTAINER**

(75) Inventor: **Thomas E. Doyle**, Aurora, IL (US)

(73) Assignee: **TinScape LLC**, Aurora, IL (US)

(**) Term: **14 Years**

(21) Appl. No.: **29/227,117**

(22) Filed: **Apr. 6, 2005**

(51) **LOC (8) Cl.** **06-04**

(52) **U.S. Cl.** **D6/627**

(58) **Field of Classification Search** D6/407,
D6/450, 626-635; D9/433, 422, 418, 428,
D9/522, 523, 544, 663; D3/303, 294, 218;
D14/479, 478, 474; 206/751, 755, 457, 312,
206/311, 310, 309, 308.2, 308.1, 307, 303,
206/232, 579, 493, 472; 720/719, 655, 728,
720/734; 211/40; 53/445, 462

See application file for complete search history.

(56) **References Cited**

U.S. PATENT DOCUMENTS

- 1,396,684 A * 11/1921 Hansen 99/422
- 2,704,974 A * 3/1955 Steman 99/422
- D265,977 S * 8/1982 Strongwater D9/424
- D274,889 S * 7/1984 Sullivan D9/426
- D305,988 S * 2/1990 Swope, Jr. D9/432
- D341,377 S * 11/1993 Ringle D19/92
- 5,743,390 A 4/1998 Pozzoli
- D418,875 S * 1/2000 Paik D19/86
- D438,034 S * 2/2001 Jermain D6/491
- D461,995 S * 8/2002 Massaloux et al. D7/554.3
- D465,729 S * 11/2002 Nishimura D9/422
- D477,937 S * 8/2003 Nemec et al. D6/492

(Continued)

Primary Examiner—Charles Rademaker

Assistant Examiner—Charles Hanson

(74) *Attorney, Agent, or Firm*—Foley & Lardner LLP

(57) **CLAIM**

I claim the ornamental design for a disc container, as shown and described.

DESCRIPTION

FIG. 1 is a perspective view of a disc container, showing my new design;

FIG. 2 is a front view thereof;

FIG. 3 is a side view thereof;

FIG. 4 is a top view thereof;

FIG. 5 is a rear view thereof;

FIG. 6 is a bottom view thereof;

FIG. 7 is a perspective view thereof, in an opened condition;

FIG. 8 is a front view thereof;

FIG. 9 is a side view thereof;

FIG. 10 is a top view thereof;

FIG. 11 is a rear view thereof;

FIG. 12 is a bottom view thereof;

FIG. 13 is a modified embodiment of the design shown in FIGS. 1-12;

FIG. 14 is a side view thereof;

FIG. 15 is a front view thereof;

FIG. 16 is a top view thereof;

FIG. 17 is a rear view thereof;

FIG. 18 is a bottom view thereof;

FIG. 19 is a perspective view thereof, in an opened condition.

FIG. 20 is a side view thereof;

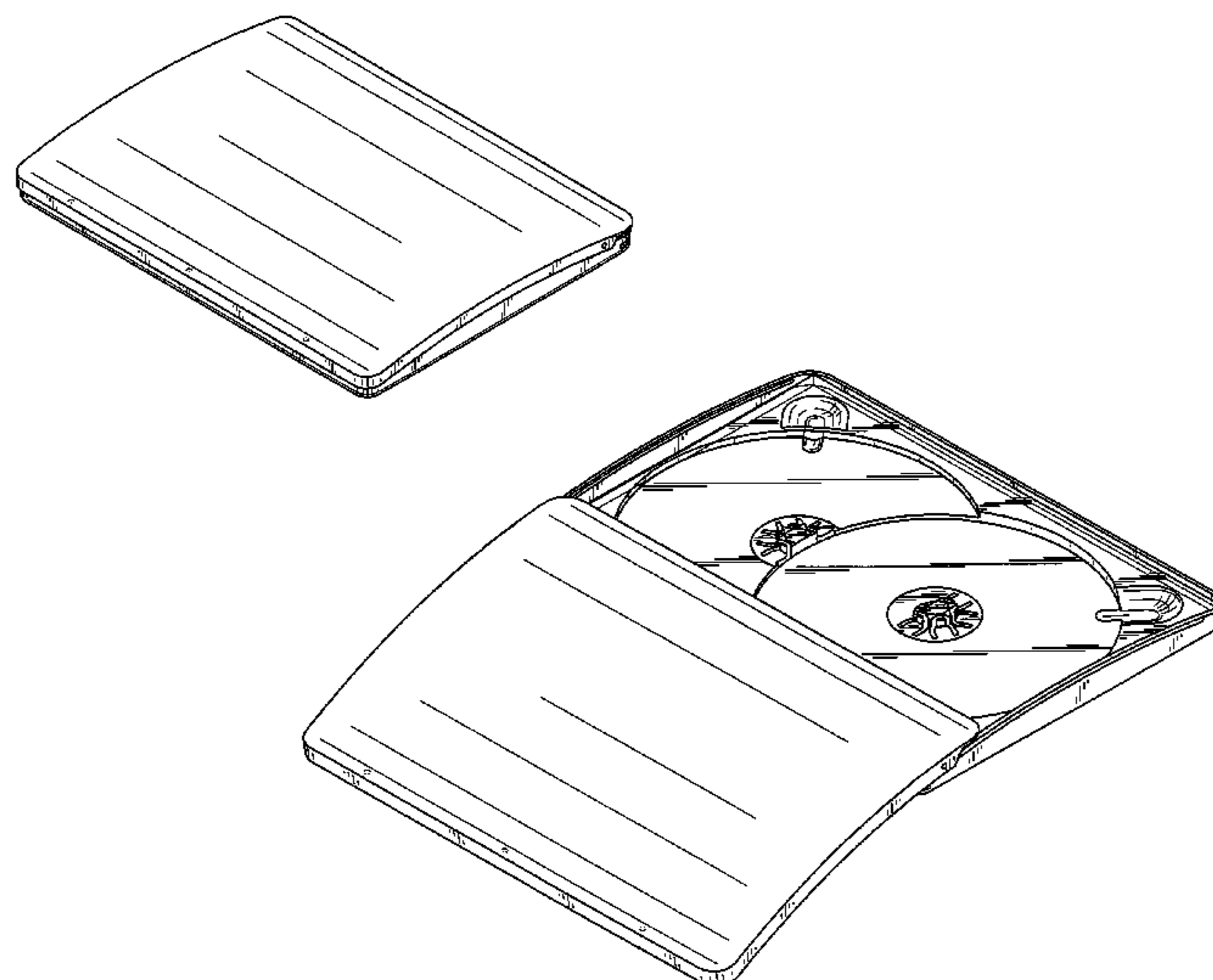
FIG. 21 is a front view thereof;

FIG. 22 is a top view thereof;

FIG. 23 is a rear view thereof; and,

FIG. 24 is a bottom view thereof.

1 Claim, 15 Drawing Sheets



US D546,109 S

Page 2

U.S. PATENT DOCUMENTS

D479,462 S *	9/2003	Chan	D9/422	D507,968 S *	8/2005	Dixon et al.	D9/422
D484,409 S *	12/2003	Haggerty et al.	D9/432	D520,799 S *	5/2006	Breuner	D6/634
D493,640 S *	8/2004	Nemec et al.	D6/494	D535,184 S *	1/2007	Tanner	D9/422

* cited by examiner

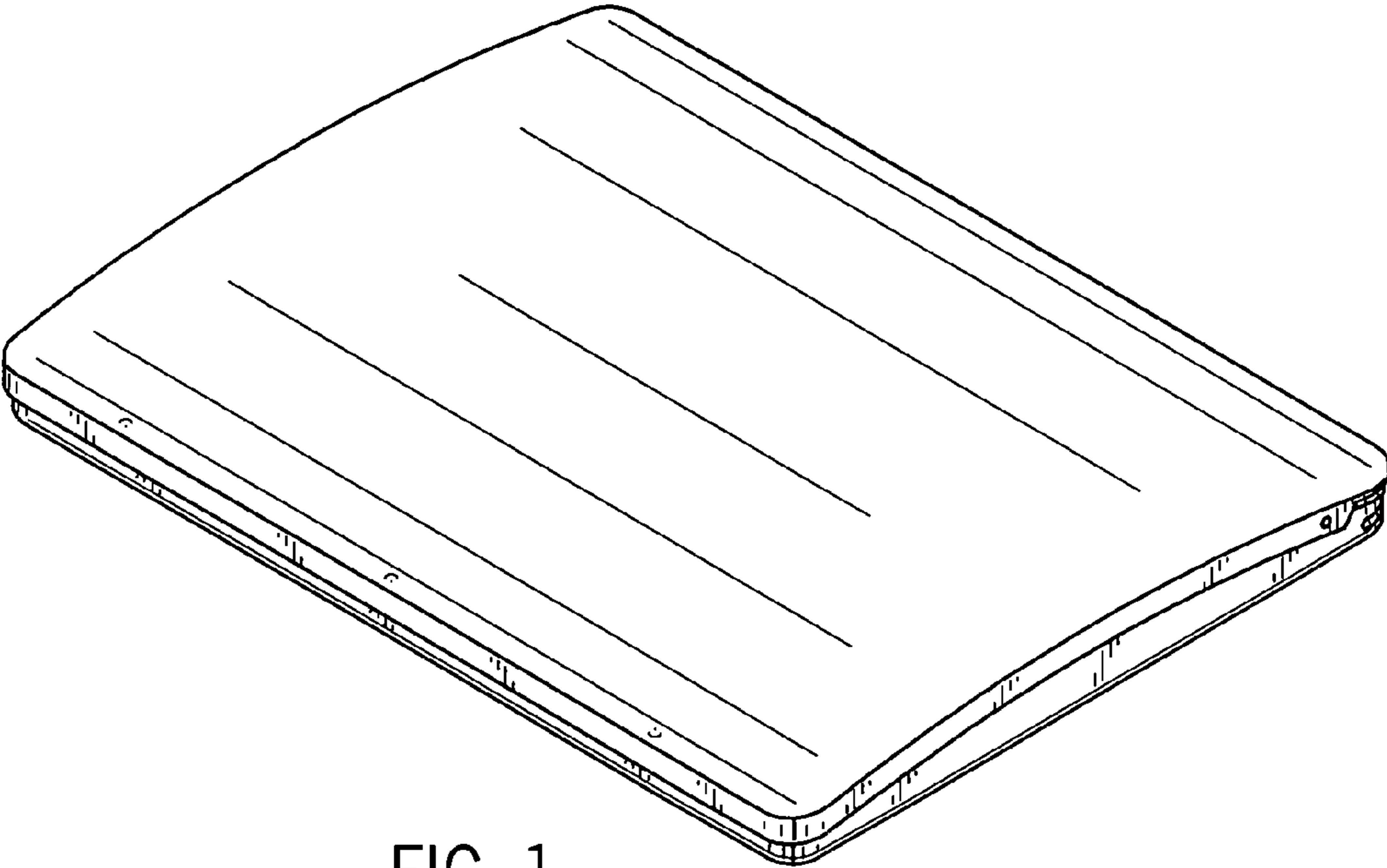


FIG. 1

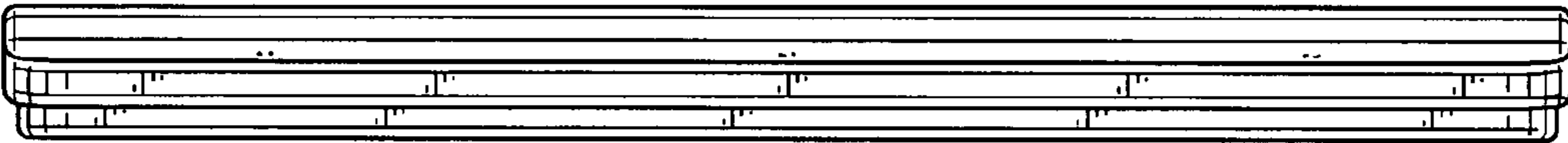


FIG. 2

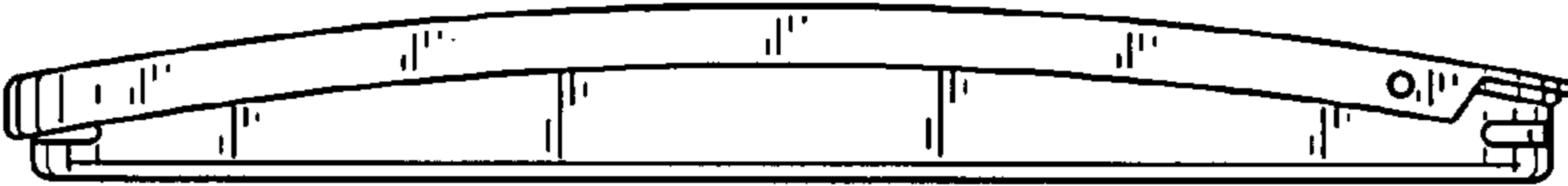


FIG. 3

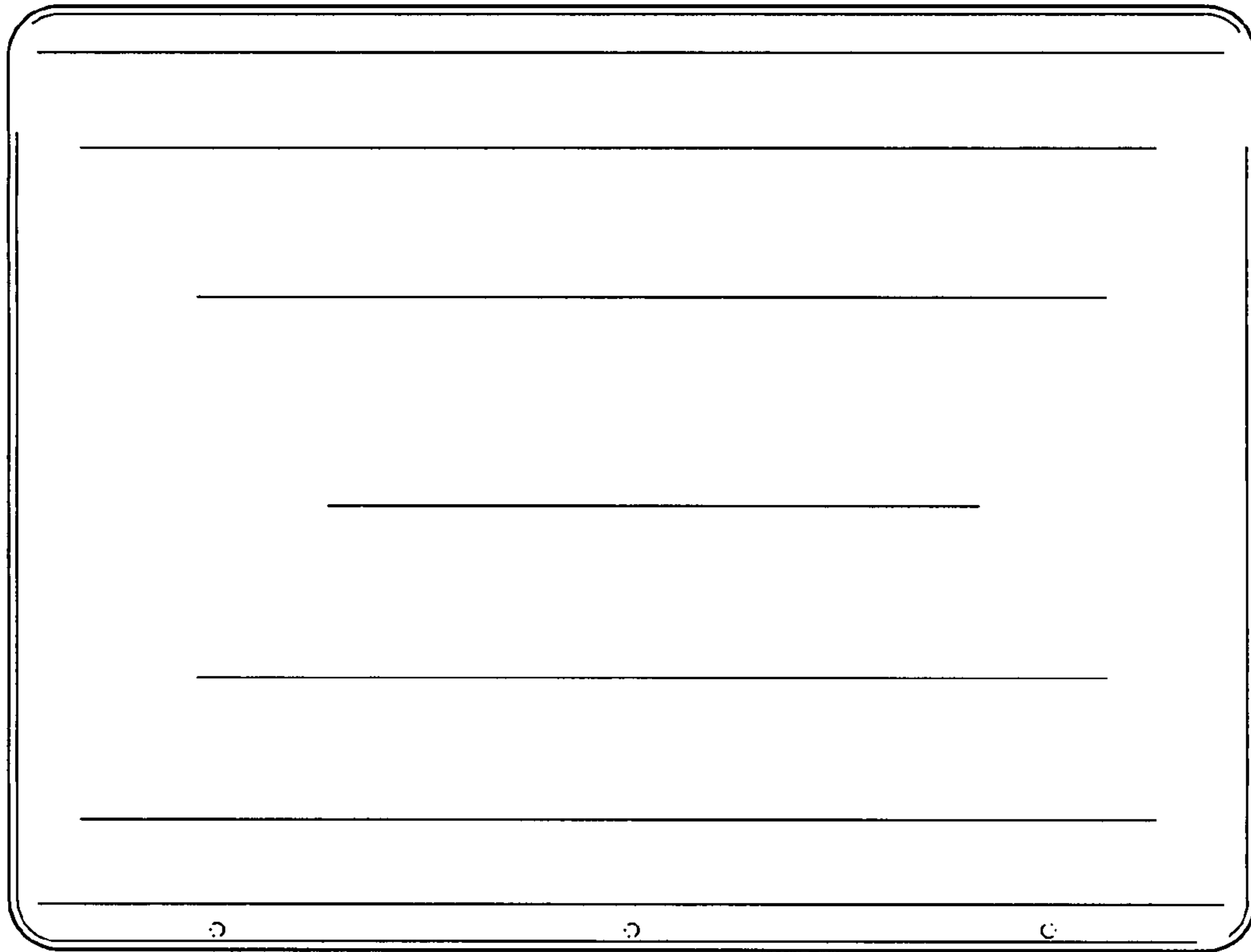


FIG. 4

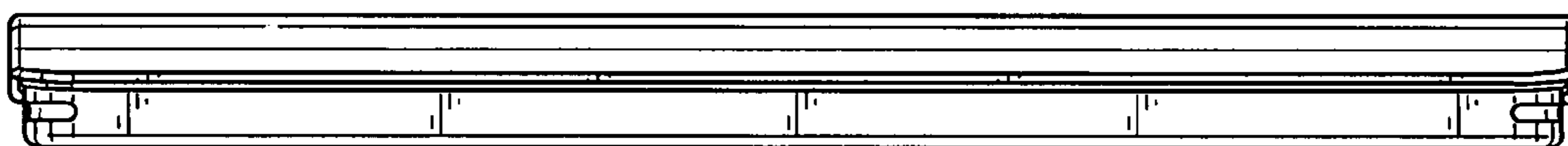


FIG. 5

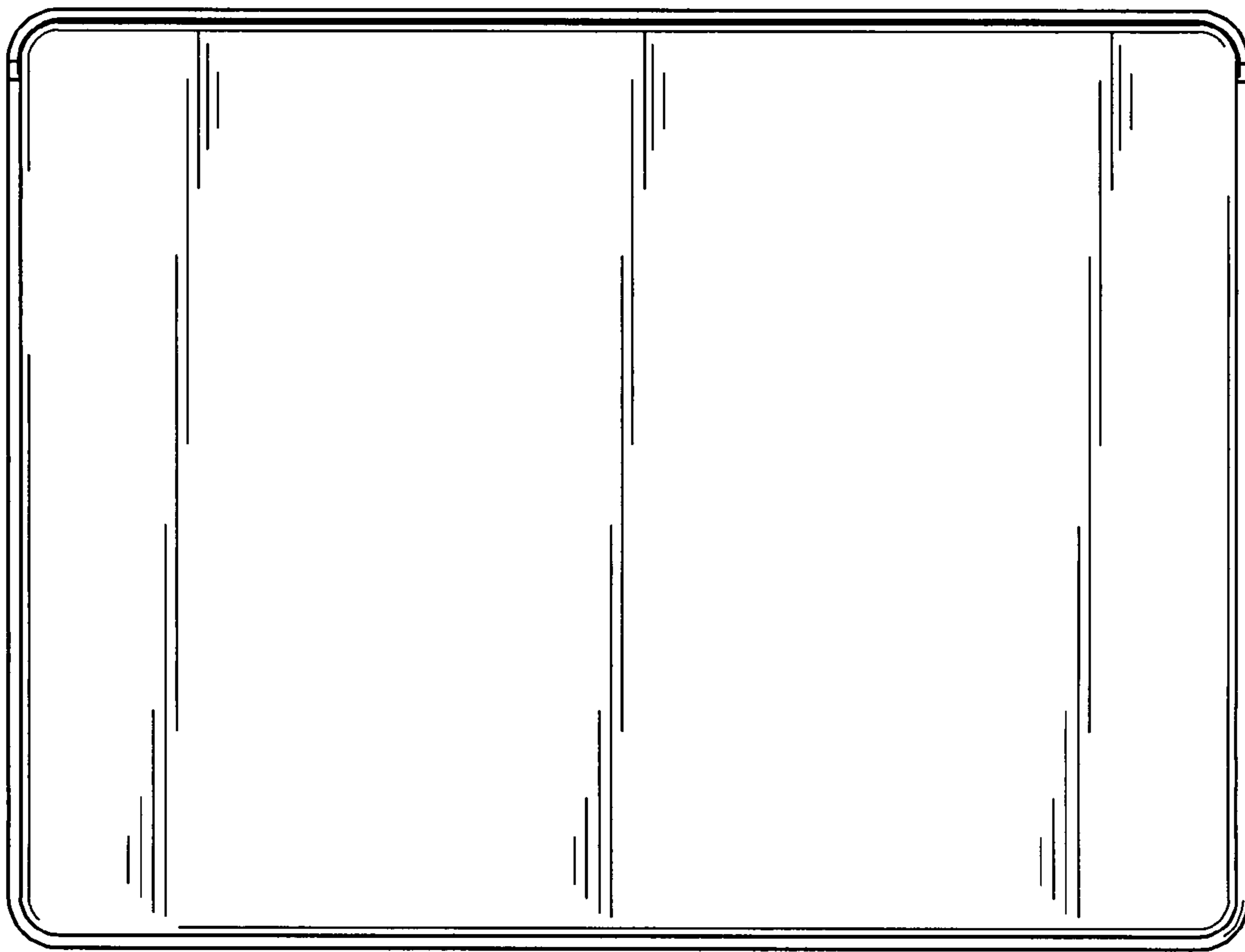


FIG. 6

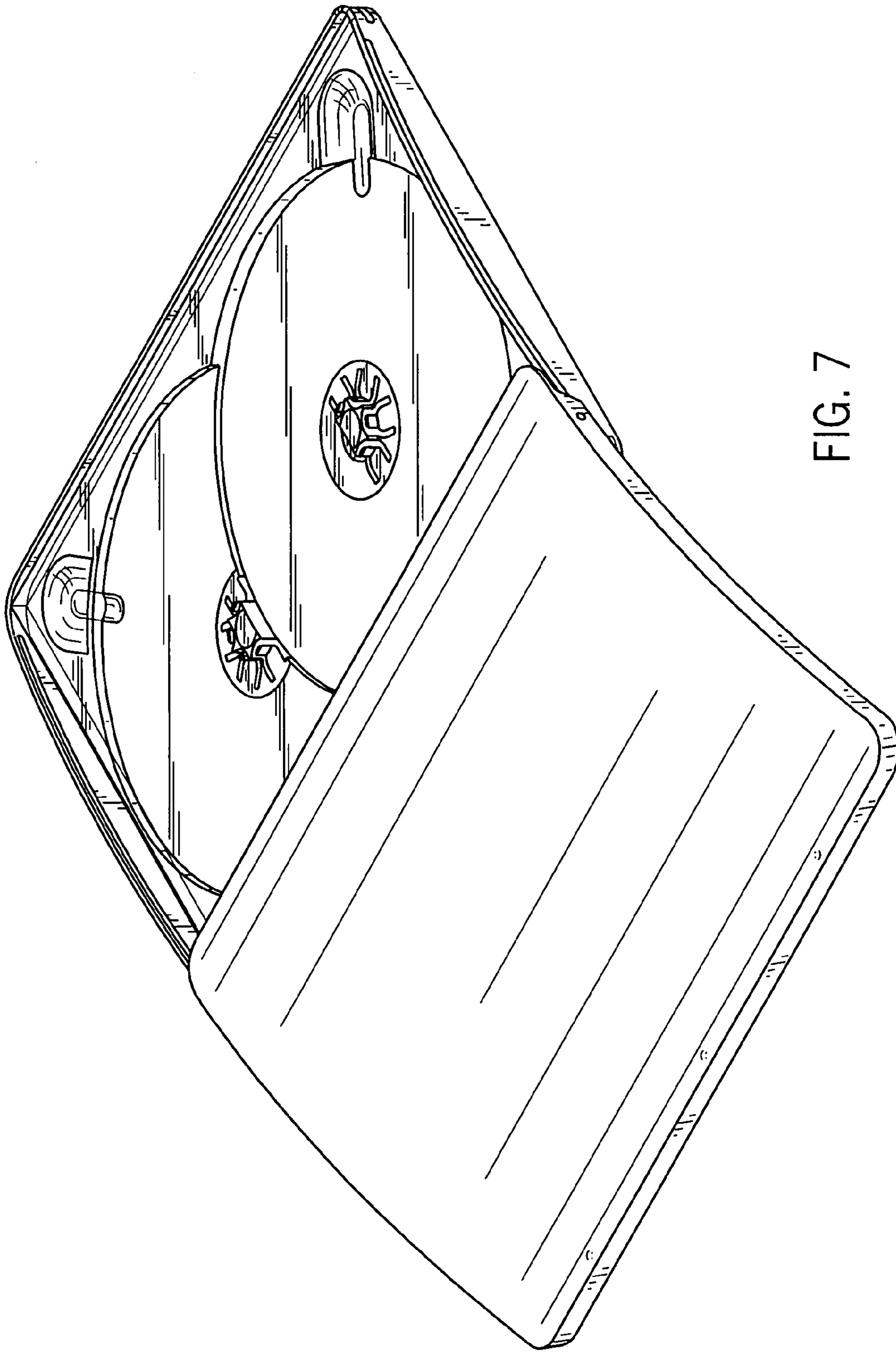


FIG. 7

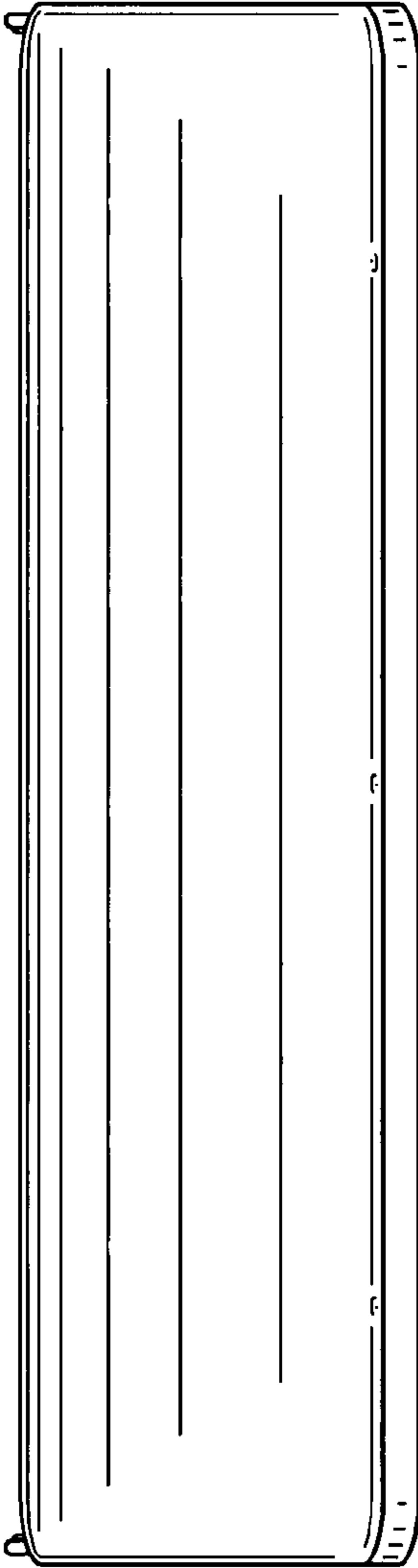


FIG. 8

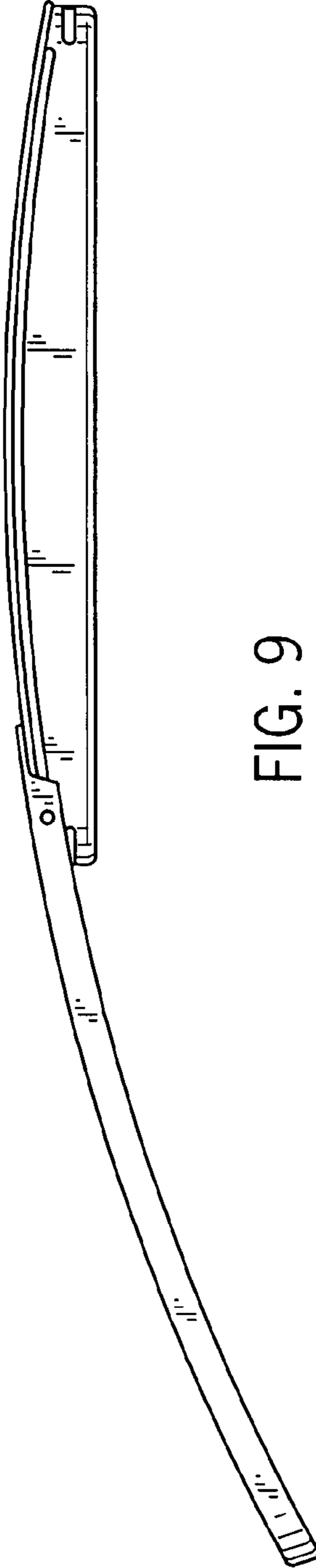


FIG. 9

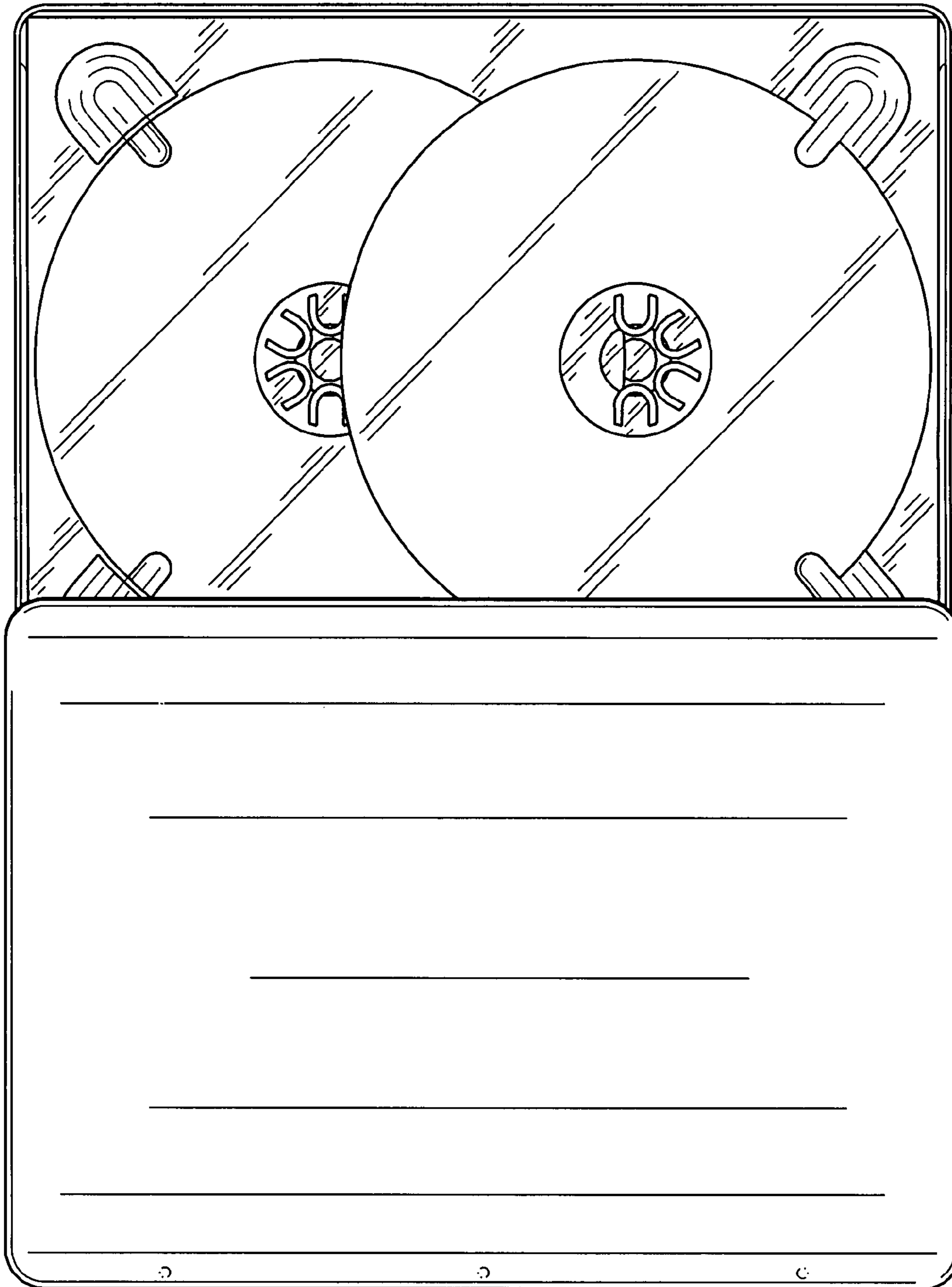


FIG. 10

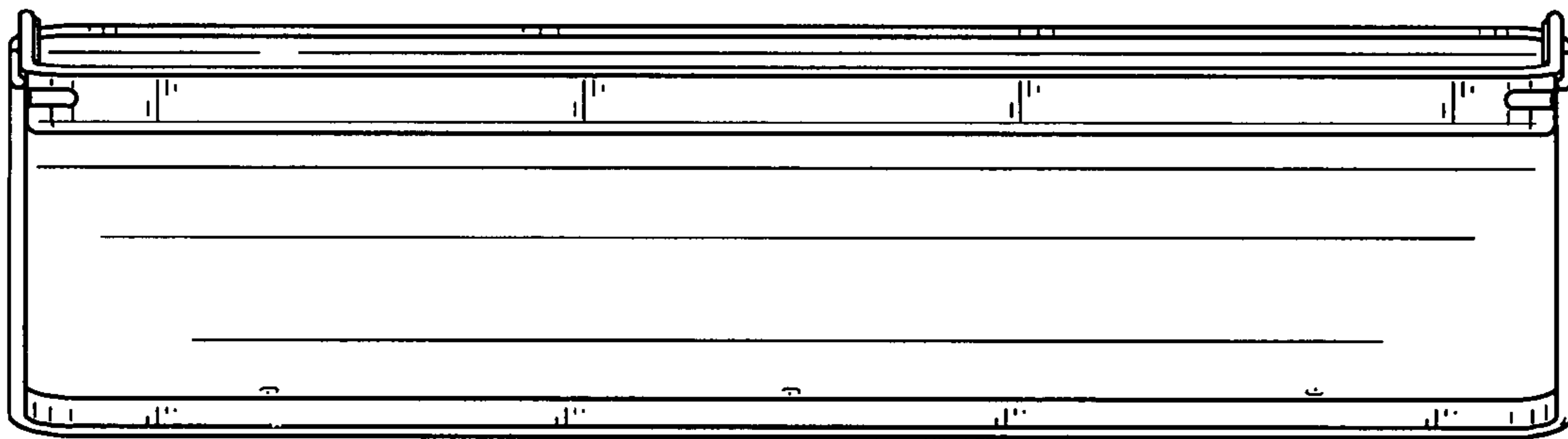


FIG. 11

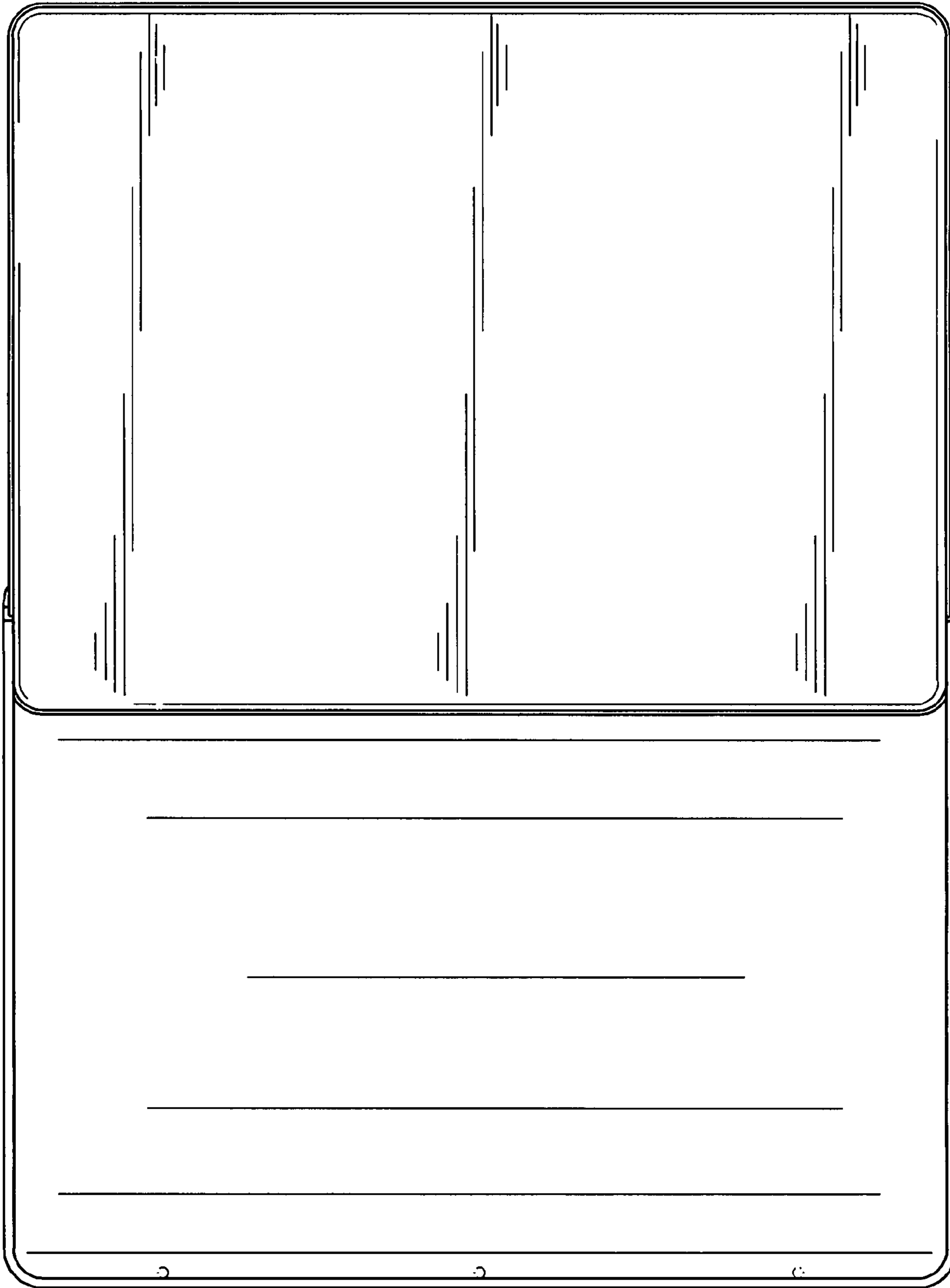


FIG. 12

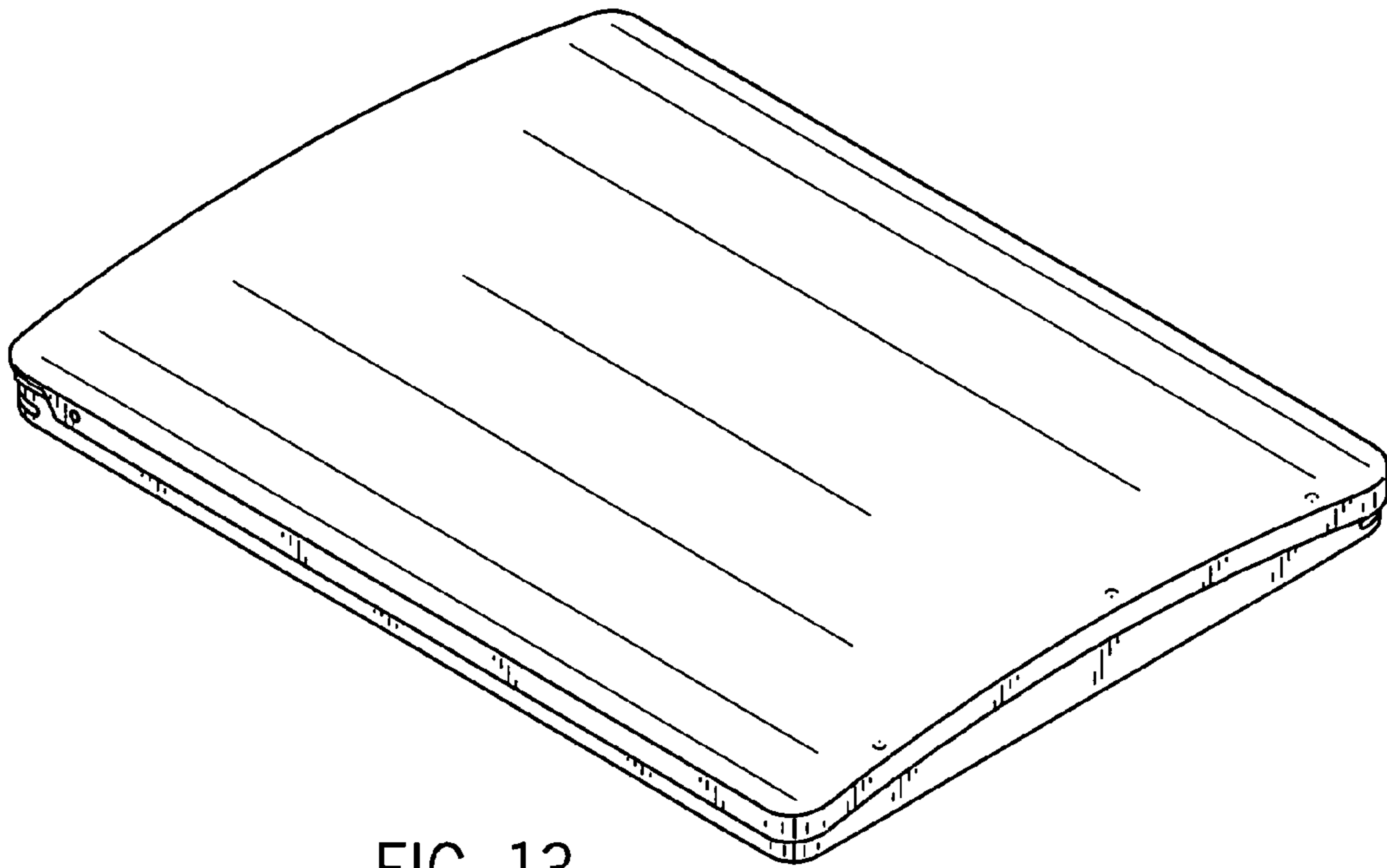


FIG. 13

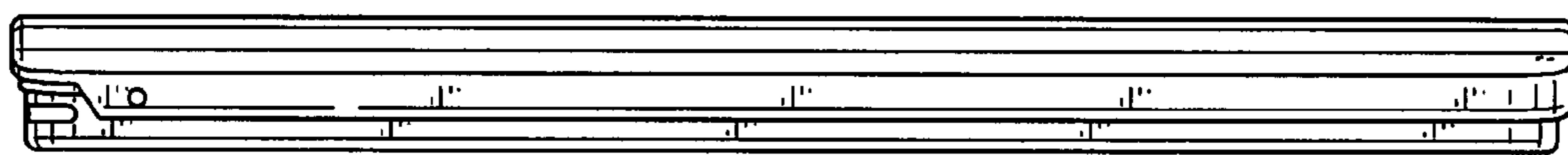


FIG. 14

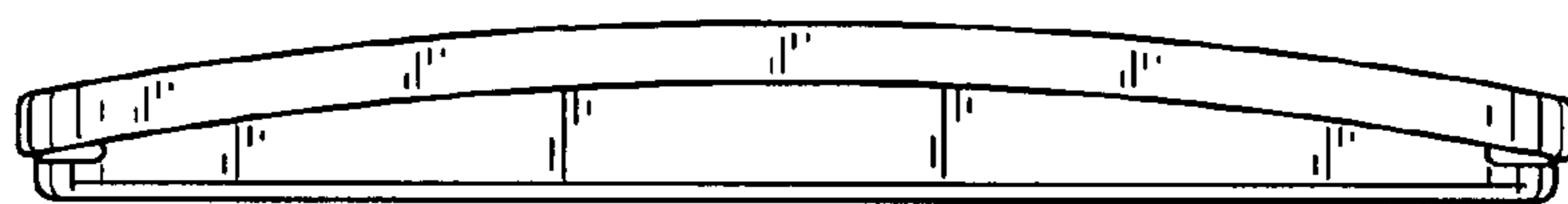


FIG. 15

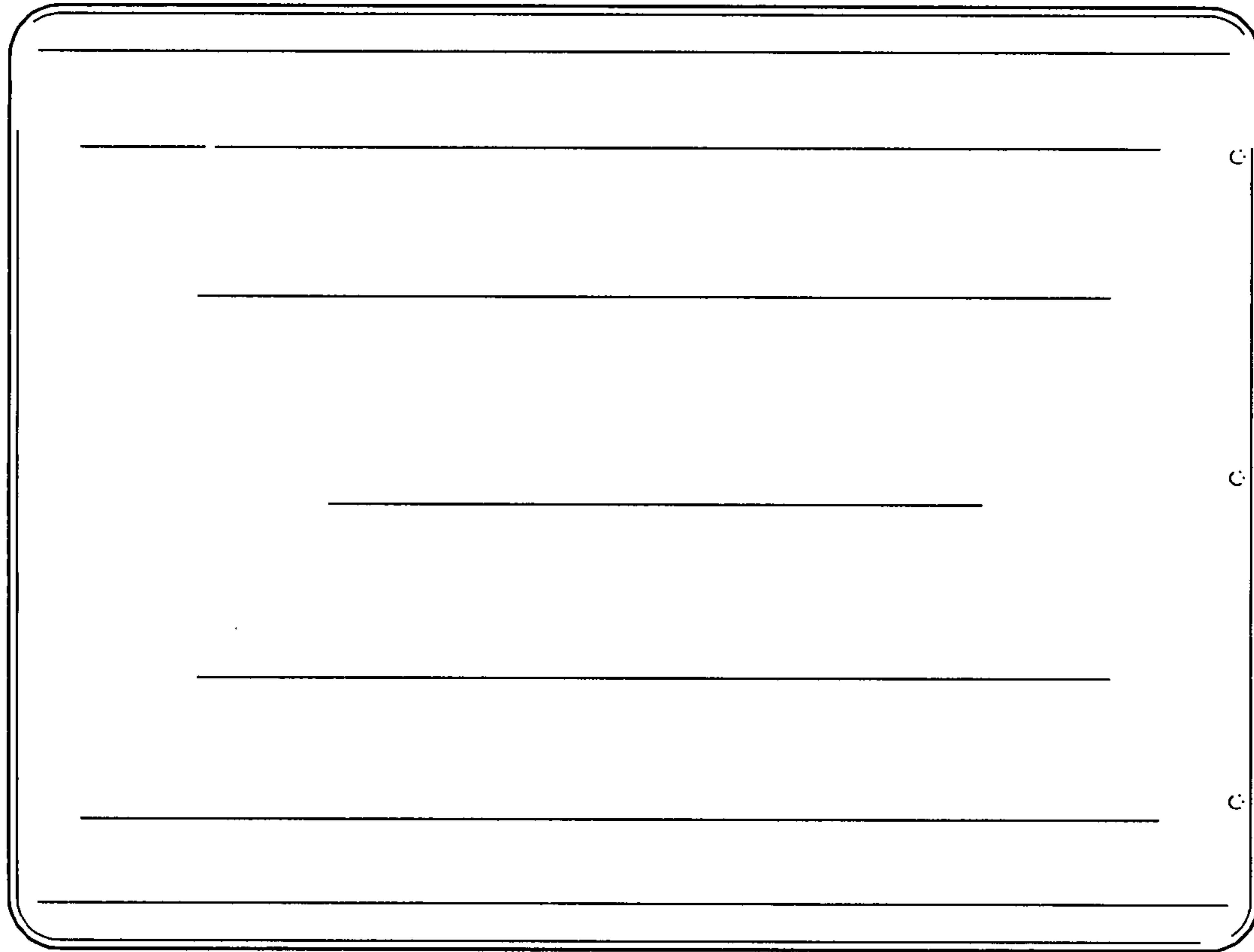


FIG. 16

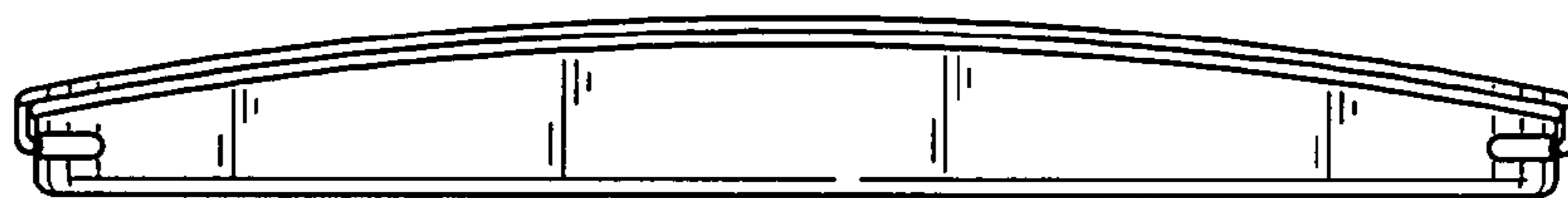


FIG. 17

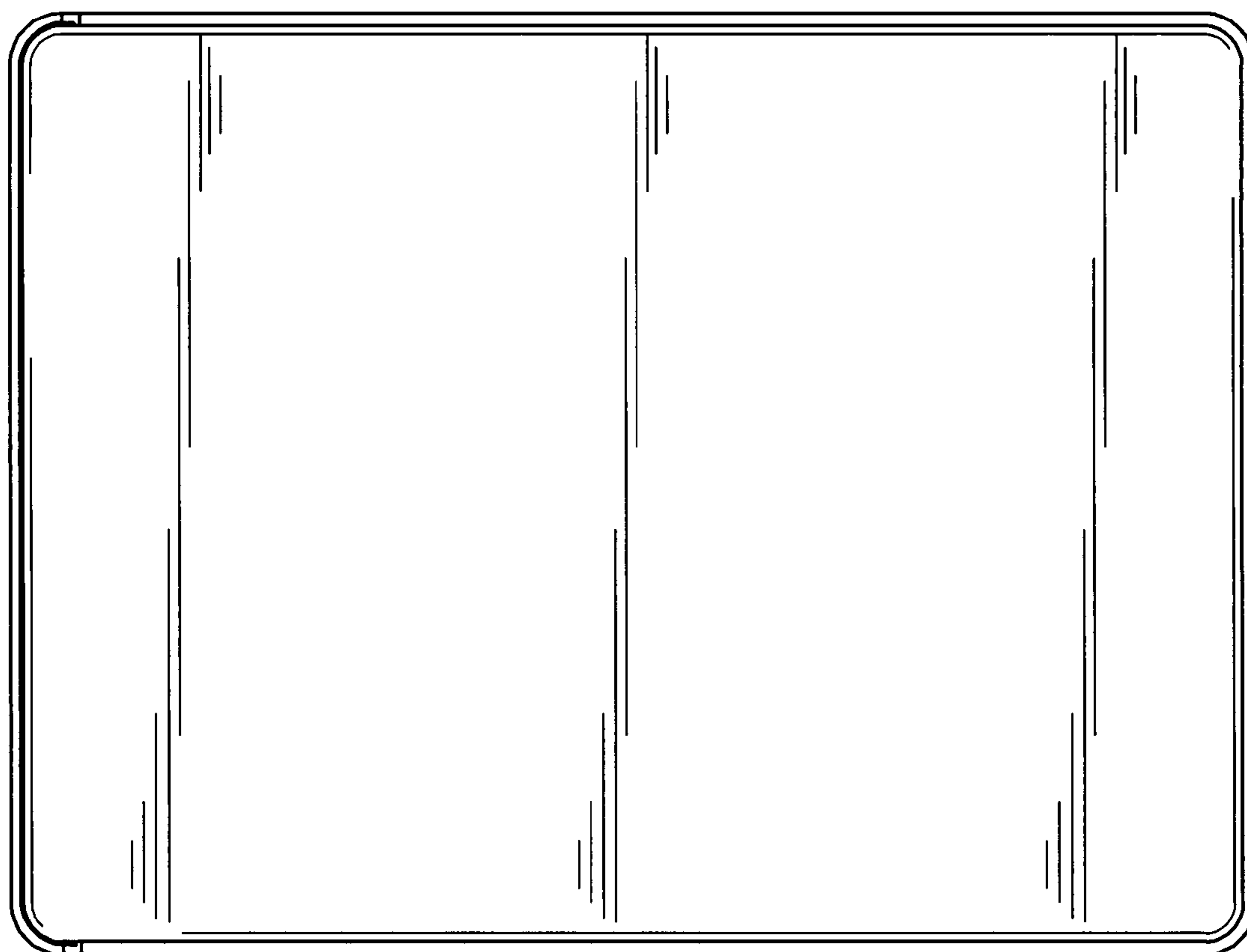


FIG. 18

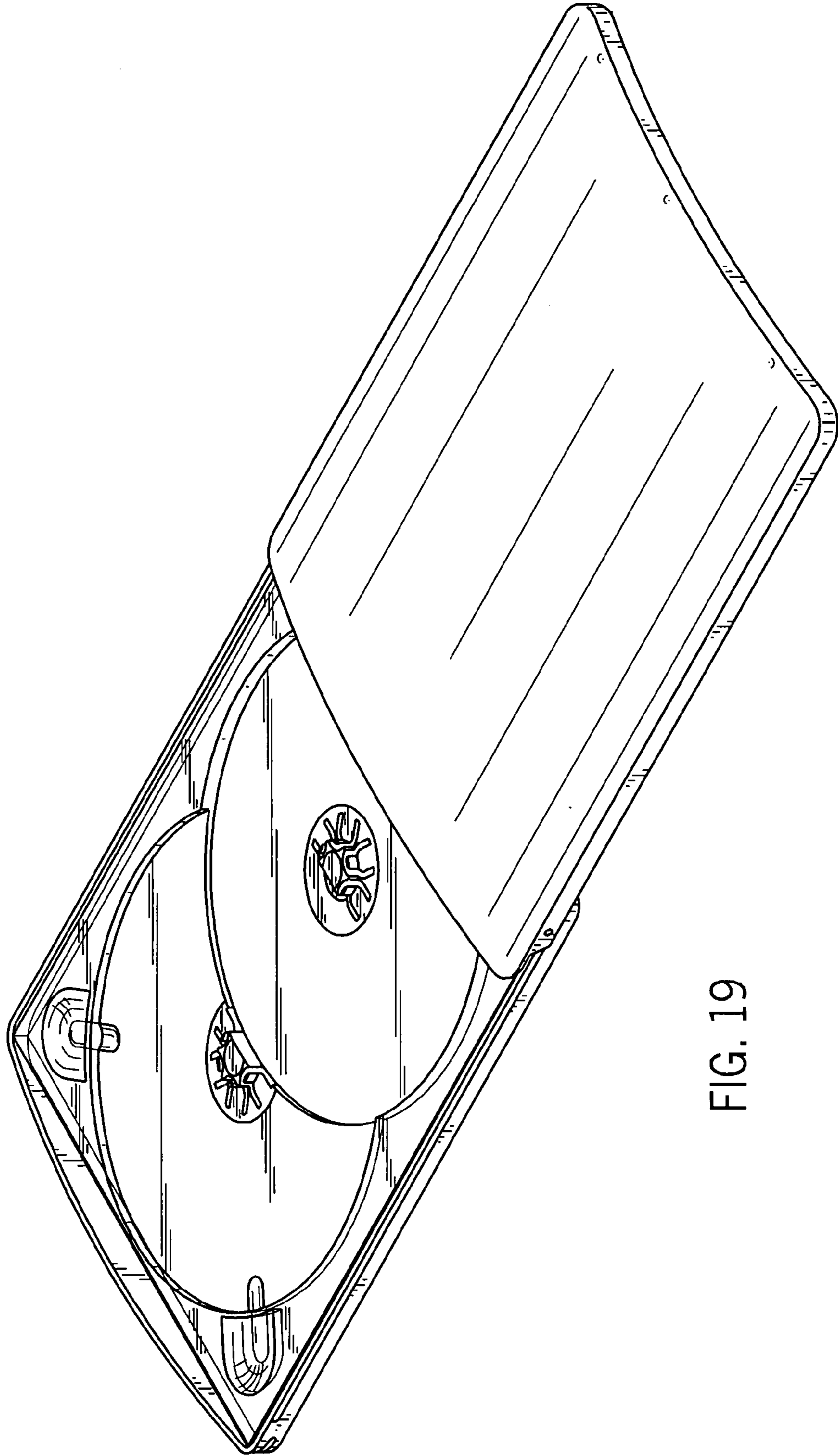


FIG. 19

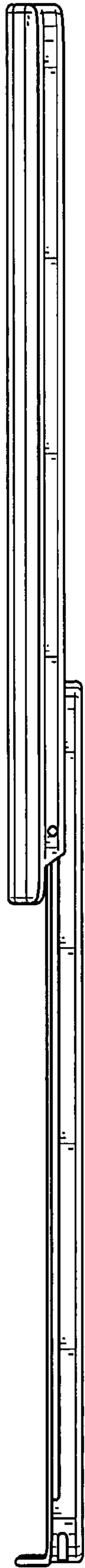


FIG. 20

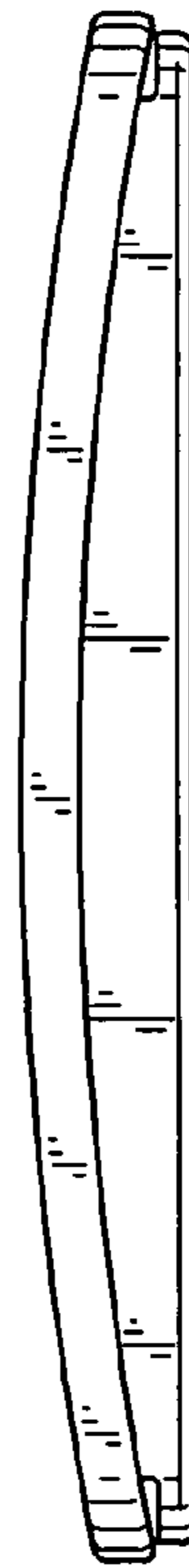


FIG. 21

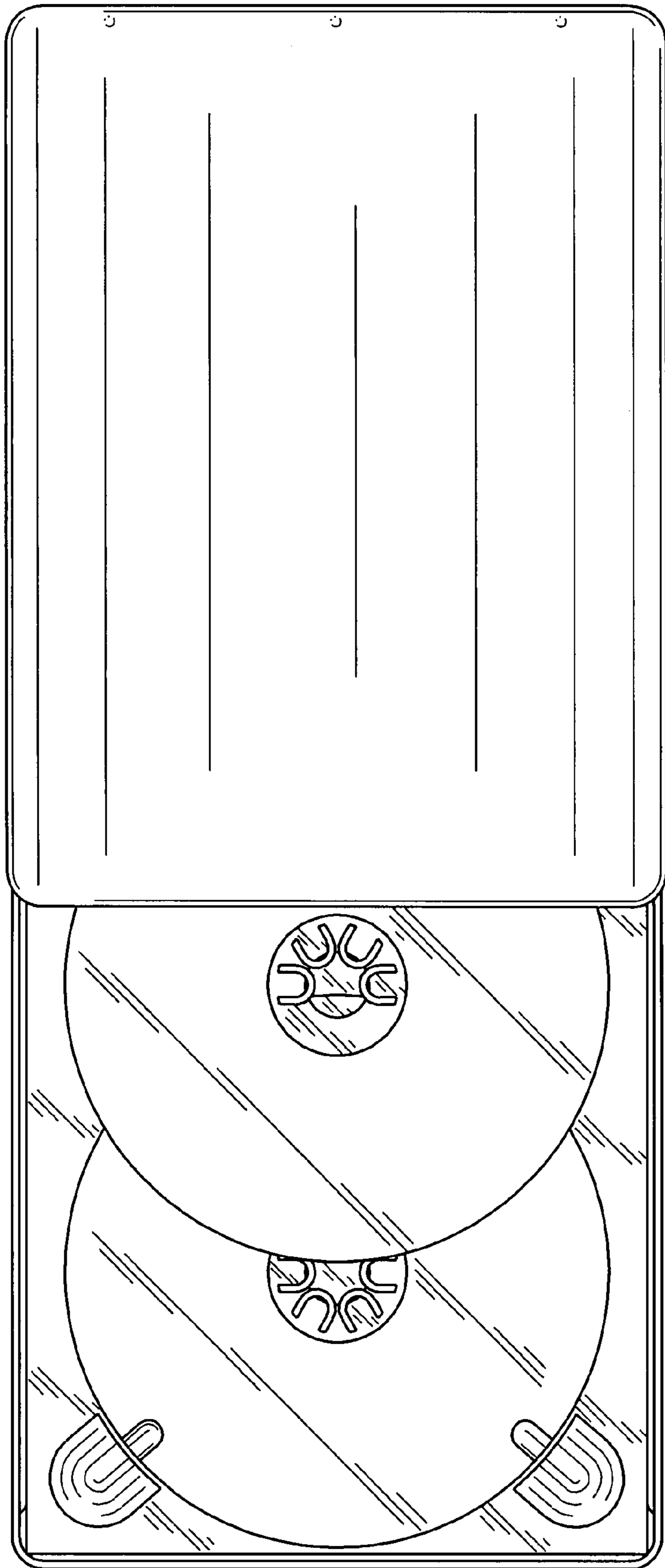


FIG. 22

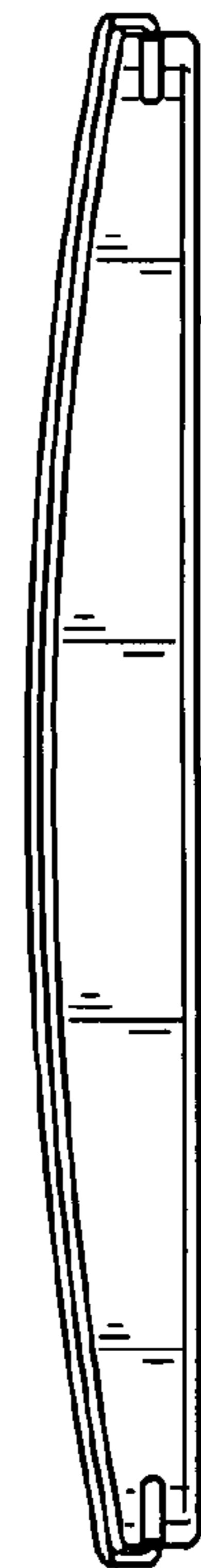


FIG. 23

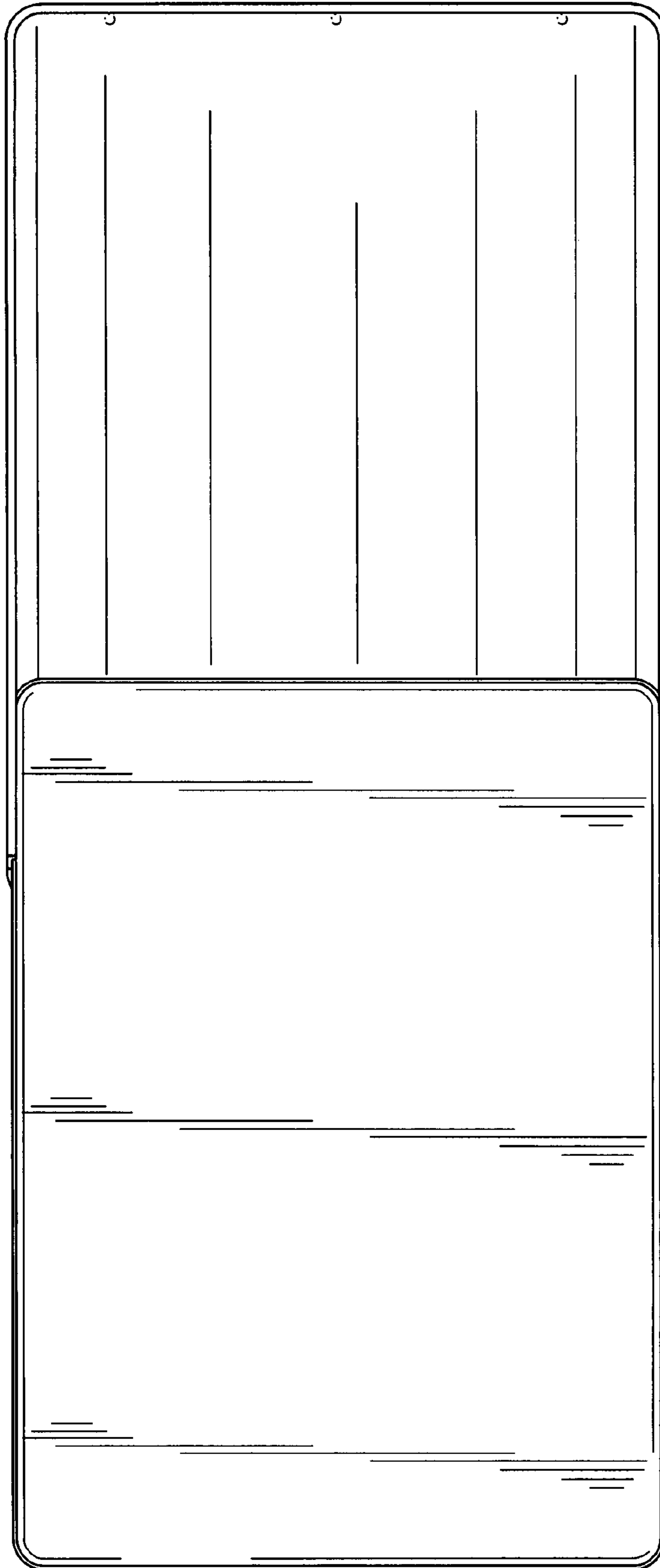


FIG. 24