



US00D546104S

(12) **United States Design Patent**
Miller et al.

(10) **Patent No.:** **US D546,104 S**
(45) **Date of Patent:** **** Jul. 10, 2007**

(54) **FABRIC COVERED HEAD RAIL FOR COVERINGS FOR ARCHITECTURAL OPENINGS**

(75) Inventors: **James L. Miller**, Henderson, CO (US);
Kent A. Smith, Broomfield, CO (US);
William S. Certain, Westminster, CO (US)

(73) Assignee: **Hunter Douglas Inc.**, Upper Saddle River, NJ (US)

(**) Term: **14 Years**

(21) Appl. No.: **29/259,123**

(22) Filed: **May 2, 2006**

(51) **LOC (8) Cl.** **06-10**

(52) **U.S. Cl.** **D6/580**

(58) **Field of Classification Search** D6/575-581;
D3/260; D8/376, 377; D12/220; D13/155;
160/32, 168, 1 V, 496; 4/506; 52/169.5;
D20/44; D25/119, 122

See application file for complete search history.

(56) **References Cited**

U.S. PATENT DOCUMENTS

D68,971 S	12/1925	Kirsch	
D68,972 S	12/1925	Kirsch	
D70,371 S *	6/1926	Kirsch	D8/376
D324,108 S	2/1992	Colson	
D345,498 S *	3/1994	Fraser et al.	D8/377
D368,551 S	4/1996	Richards	
D368,851 S *	4/1996	Cole et al.	D8/376
D379,524 S	5/1997	Leonelli	
D439,461 S	3/2001	Brunell	
D440,100 S	4/2001	Horsten	
D440,444 S	4/2001	Sonnenberg et al.	

D443,788 S	6/2001	Horsten	
D455,336 S	4/2002	Anderson	
D472,456 S	4/2003	Snyder	
D488,945 S	4/2004	Bibby et al.	
D489,209 S	5/2004	Goldberg	
D490,167 S	5/2004	Eichner et al.	
D497,758 S	11/2004	Goldberg	
D502,037 S	2/2005	Nien	
D511,013 S	10/2005	Bullock, Jr.	
D522,297 S *	6/2006	Miller et al.	D6/580
D524,085 S *	7/2006	Miller et al.	D6/580
D530,967 S *	10/2006	Smith	D6/580

* cited by examiner

Primary Examiner—T. Chase Nelson

Assistant Examiner—Barbara Blanton Lohr

(74) *Attorney, Agent, or Firm*—Dorsey & Whitney LLP

(57) **CLAIM**

We claim the ornamental design for a fabric covered head rail for coverings for architectural openings, as shown and described.

DESCRIPTION

FIG. 1 is an isometric view of the fabric covered head rail for coverings for architectural openings of the present invention.

FIG. 2 is a left side elevation thereof.

FIG. 3 is a front elevation thereof.

FIG. 4 is a right side elevation thereof.

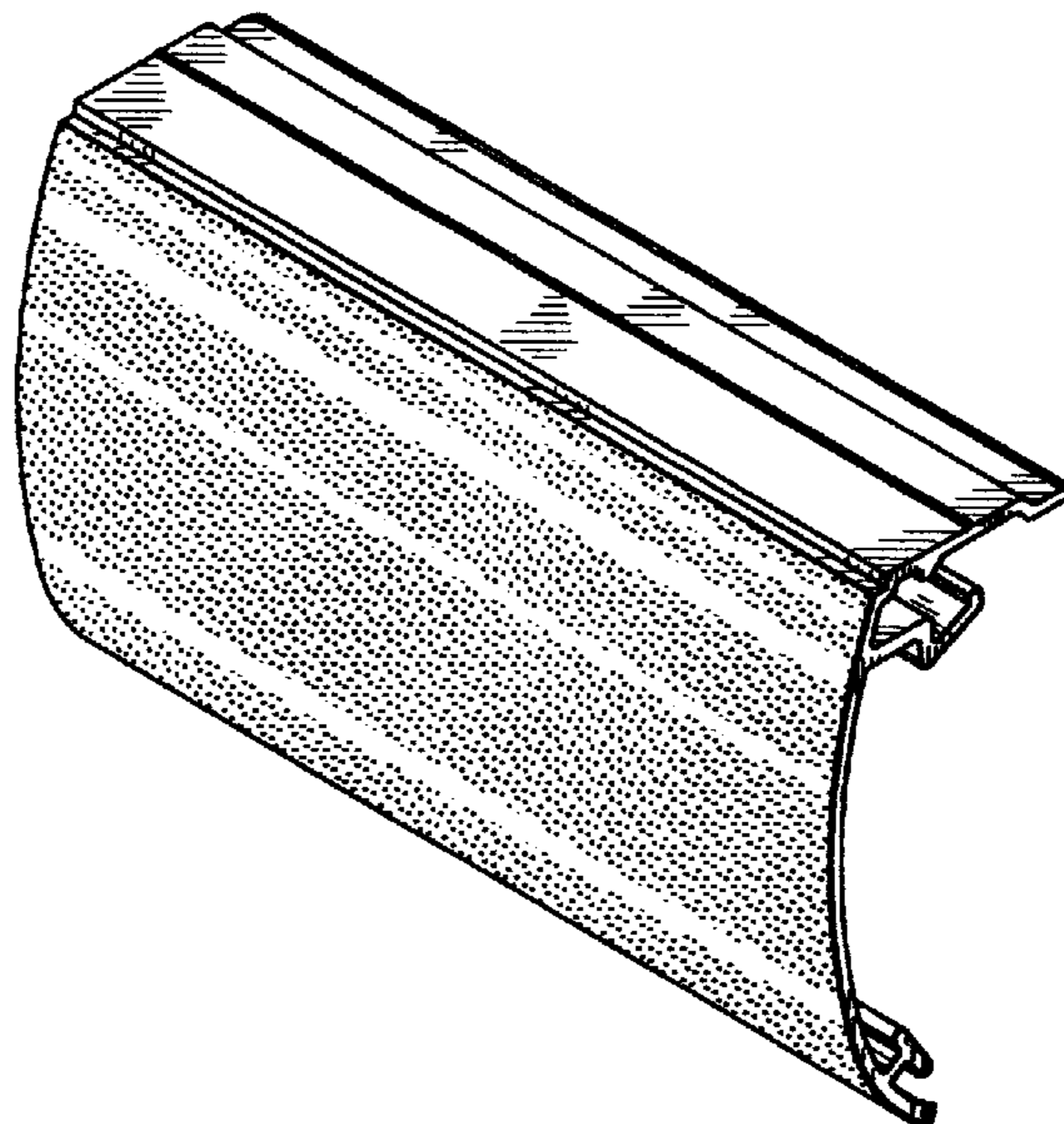
FIG. 5 is a top plan view thereof.

FIG. 6 is a rear elevation thereof.

FIG. 7 is a bottom plan elevation thereof; and,

FIG. 8 is an enlarged section taken along line 8-8 of FIG. 6.

1 Claim, 3 Drawing Sheets



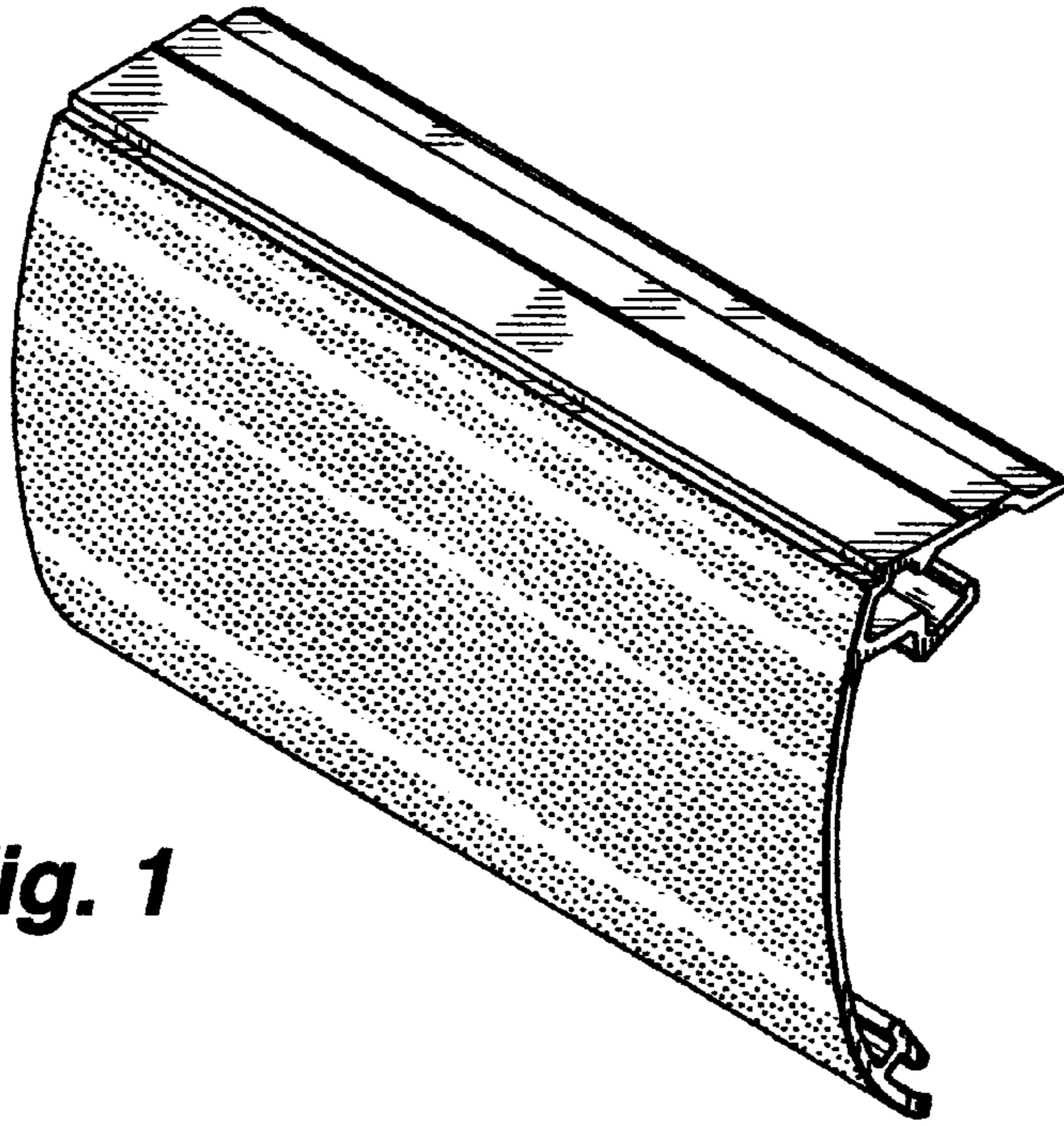


Fig. 1

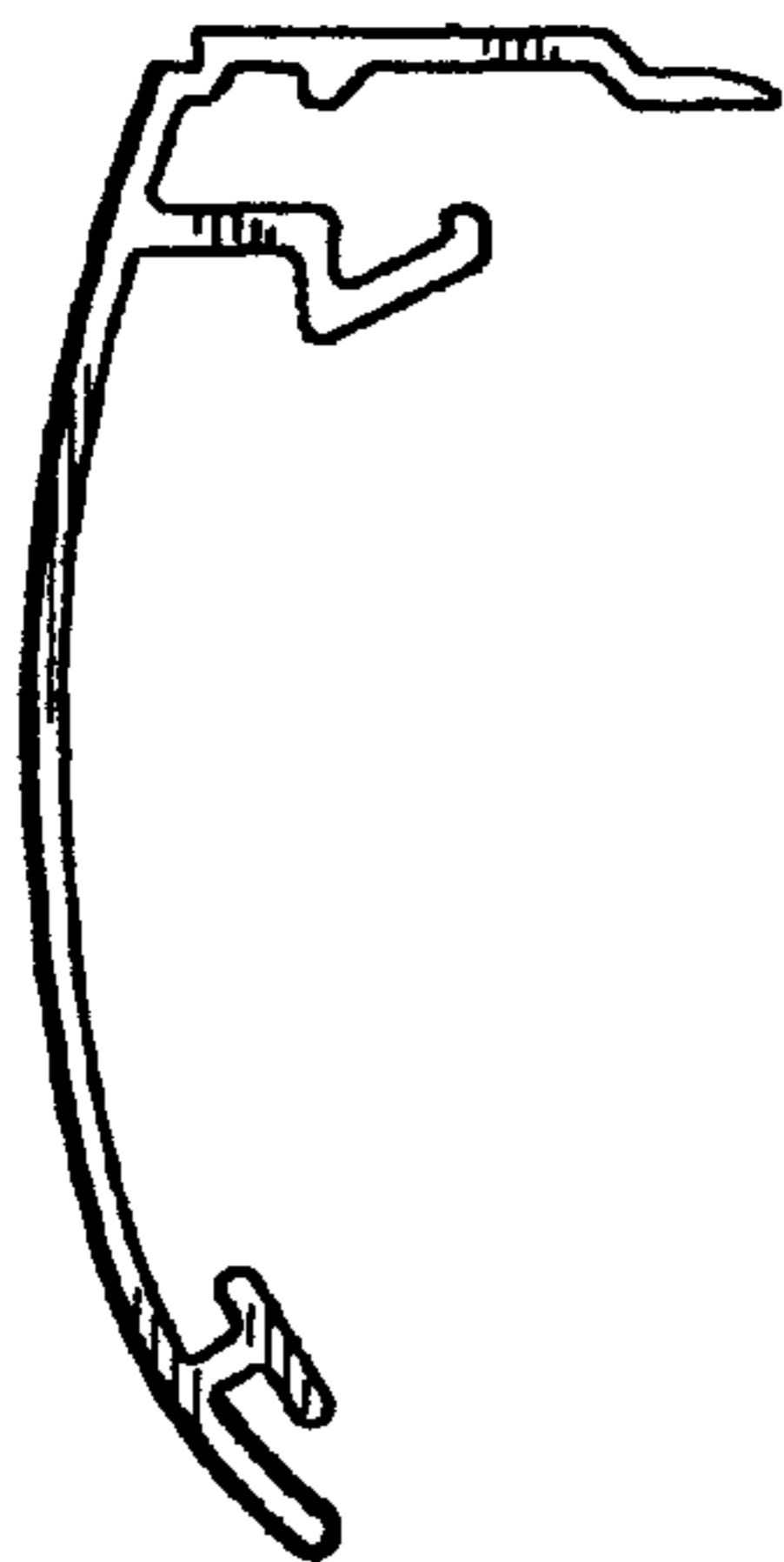


Fig. 2

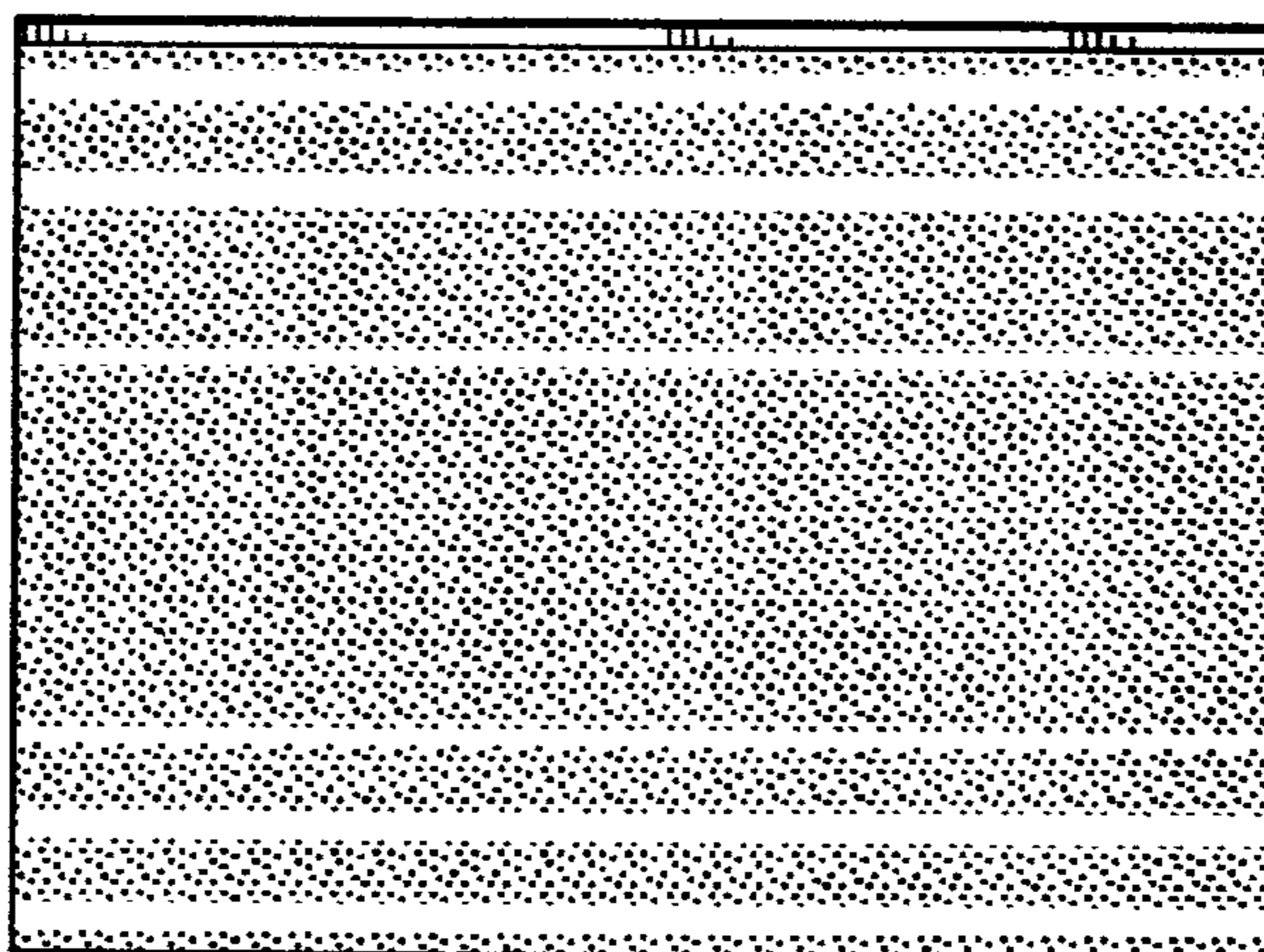


Fig. 3



Fig. 4

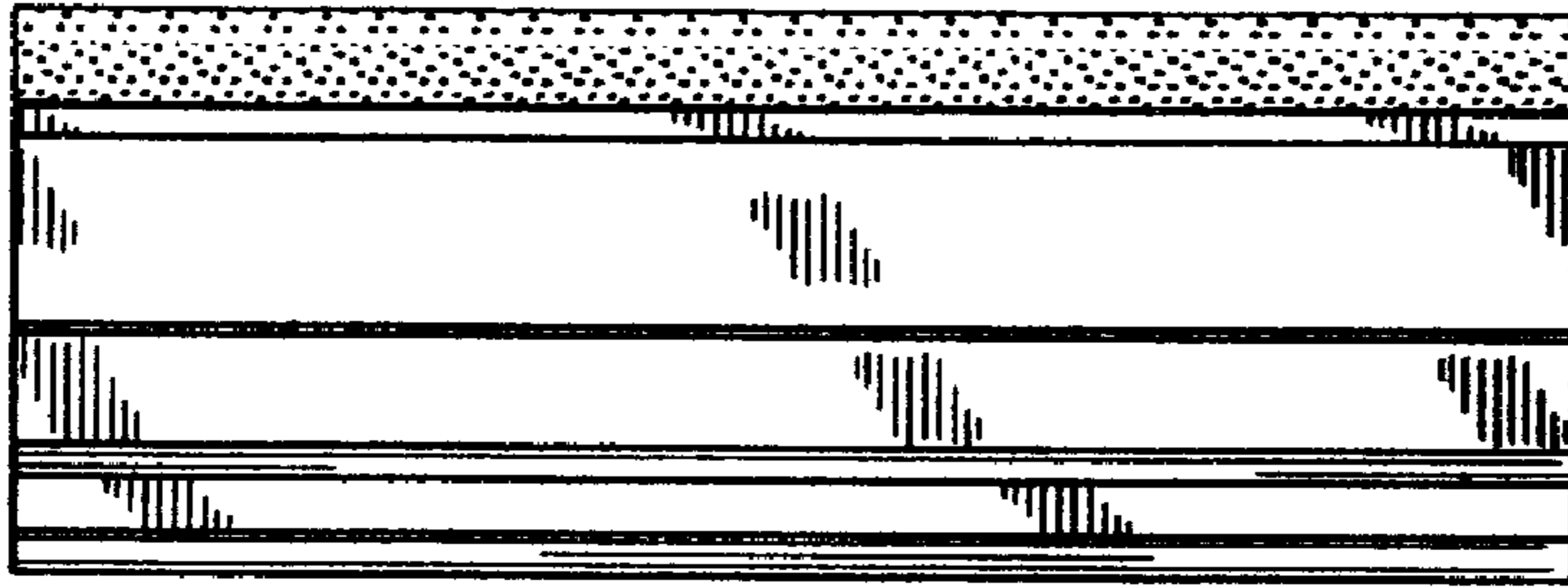


Fig. 5

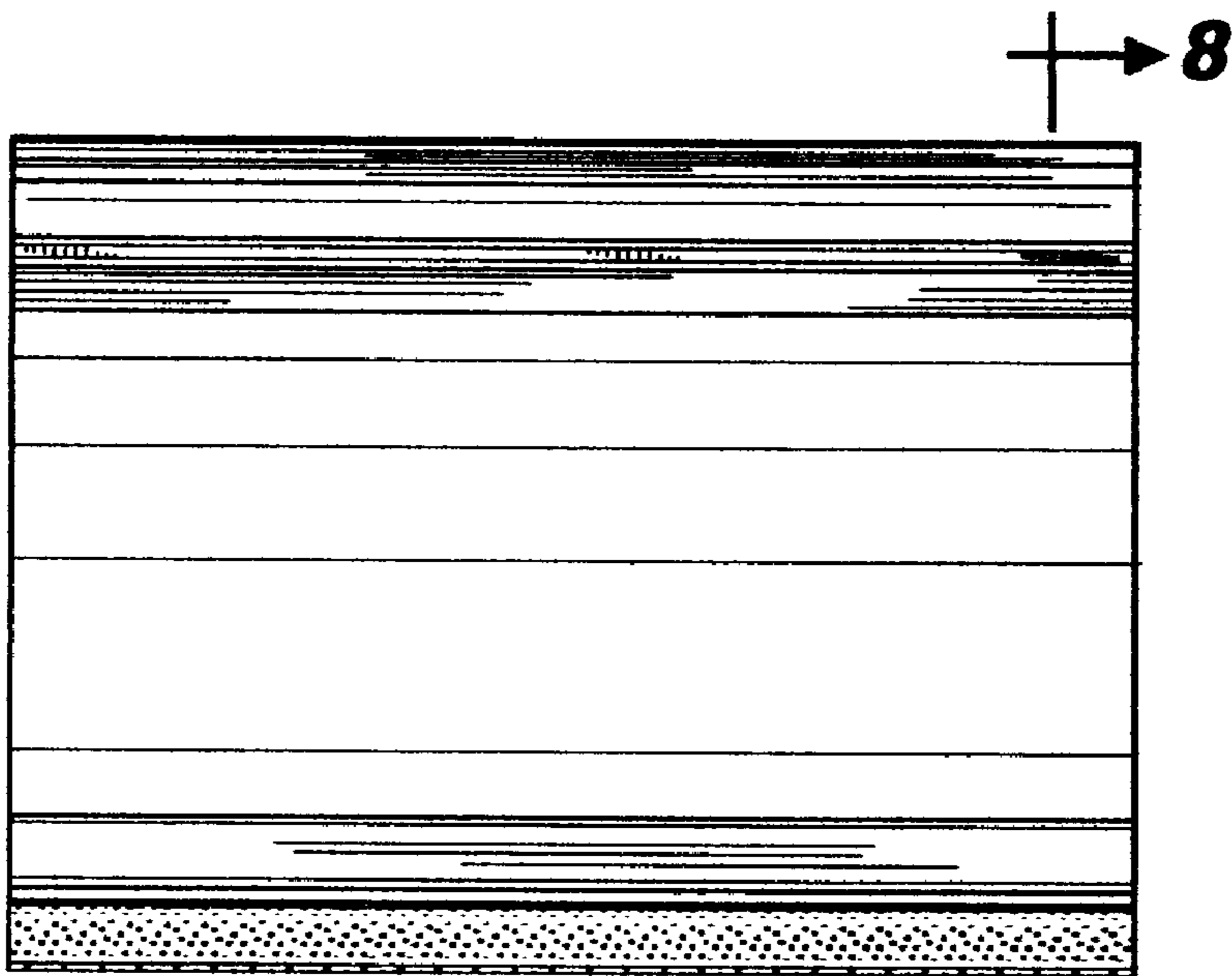


Fig. 6

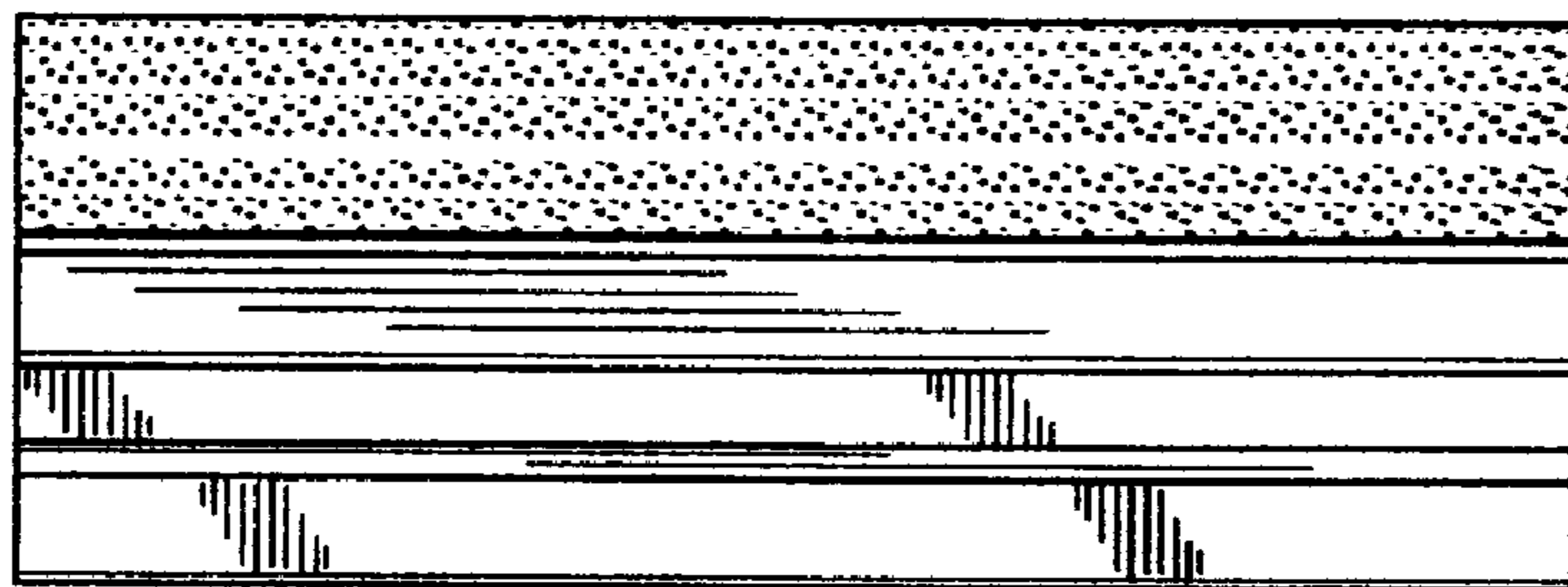


Fig. 7

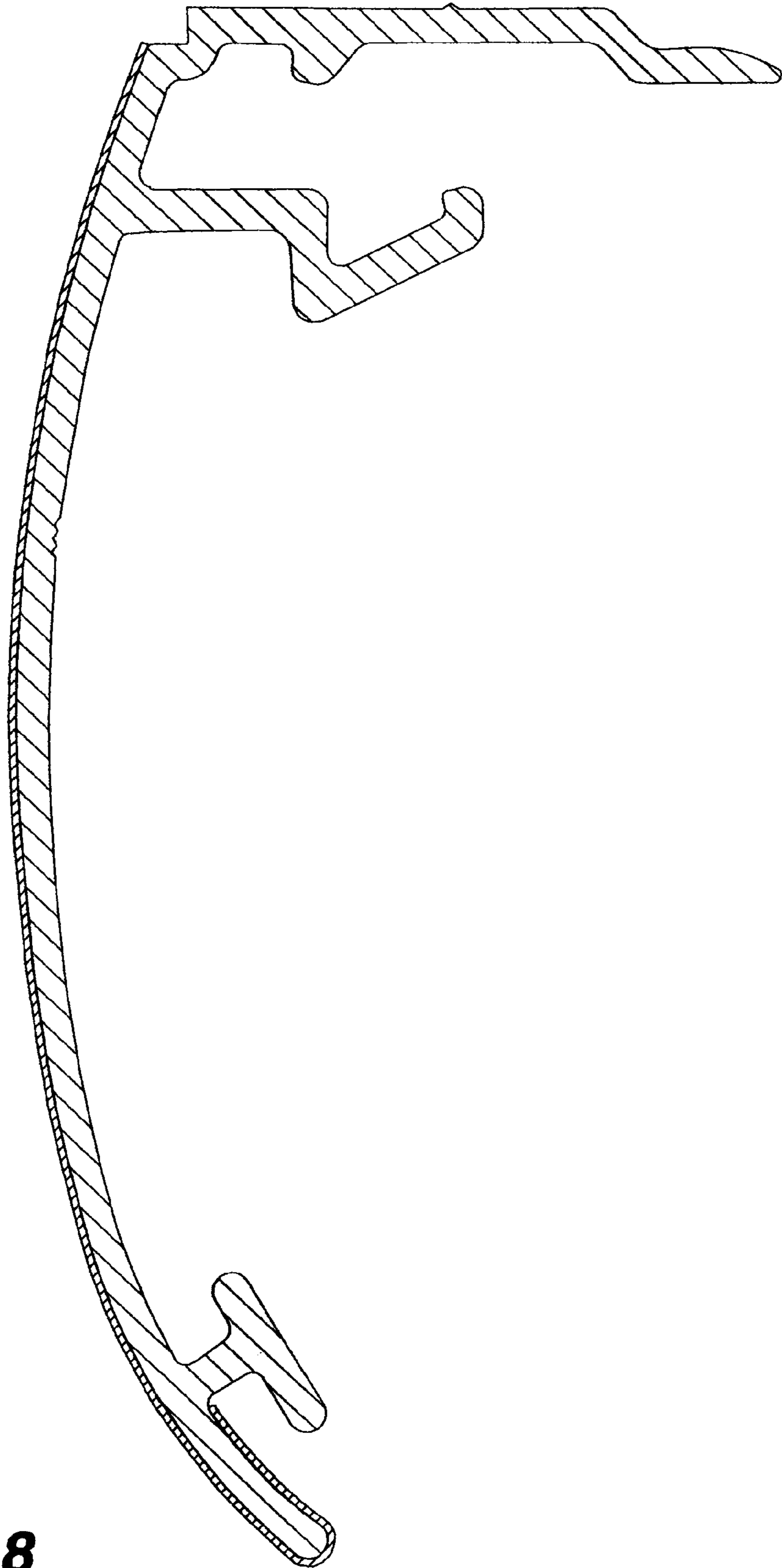


Fig. 8