



US00D546103S

(12) **United States Design Patent**
Eyman et al.

(10) **Patent No.:** **US D546,103 S**
(45) **Date of Patent:** **** Jul. 10, 2007**

(54) **SMALL WALL-MOUNT SHELF ASSEMBLY**

(75) Inventors: **Zachary Eyman**, Phoenix, AZ (US);
Brett Stenhouse, Phoenix, AZ (US);
Korry Hoglan, Phoenix, AZ (US); **Tom**
Muday, Scottsdale, AZ (US)

(73) Assignee: **Omnimount Systems, Inc.**, Phoenix,
AZ (US)

(**) Term: **14 Years**

(21) Appl. No.: **29/235,666**

(22) Filed: **Aug. 3, 2005**

(51) **LOC (8) Cl.** **06-04**

(52) **U.S. Cl.** **D6/574**

(58) **Field of Classification Search** D6/553,
D6/567, 574; 108/28-29; 248/235, 309.1;
211/13.1, 42, 71.01, 86.01, 88.01, 88.03,
211/90.01, 90.03, 126.1, 133.5

See application file for complete search history.

(56) **References Cited**

U.S. PATENT DOCUMENTS

D398,470 S * 9/1998 St-Pierre et al. D6/574
D443,163 S * 6/2001 Welch D6/574

D462,216 S * 9/2002 Jablonski D6/574
D510,496 S * 10/2005 Yorek D6/574
D512,867 S * 12/2005 Gates et al. D6/574

* cited by examiner

Primary Examiner—Brian N Vinson

(74) *Attorney, Agent, or Firm*—Hogan & Hartson LLP

(57) **CLAIM**

The ornamental design for a small wall-mount shelf assem-
bly, as shown and described.

DESCRIPTION

FIG. 1 is a top, right isometric view of an embodiment of a
small wall-mount shelf assembly showing our design.

FIG. 2 is a front elevational view thereof.

FIG. 3 is a rear elevational view thereof.

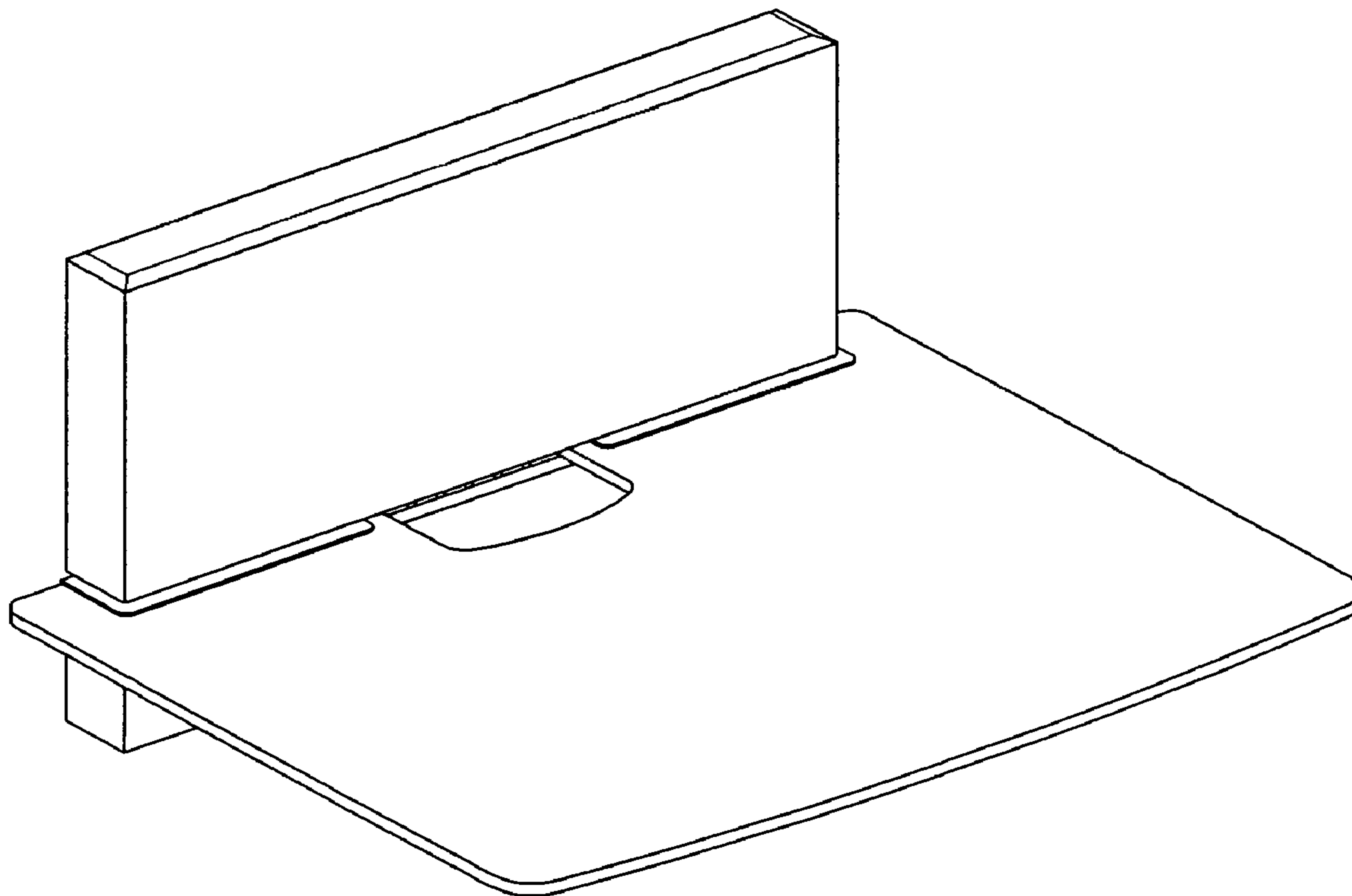
FIG. 4 is a right-side elevational view thereof; the left-side
elevational view is a mirror image of FIG. 4.

FIG. 5 is a top plan view thereof; and,

FIG. 6 is a bottom plan view thereof.

Elements identified in broken lines in the accompanying
drawings form no part of the claimed invention.

1 Claim, 3 Drawing Sheets



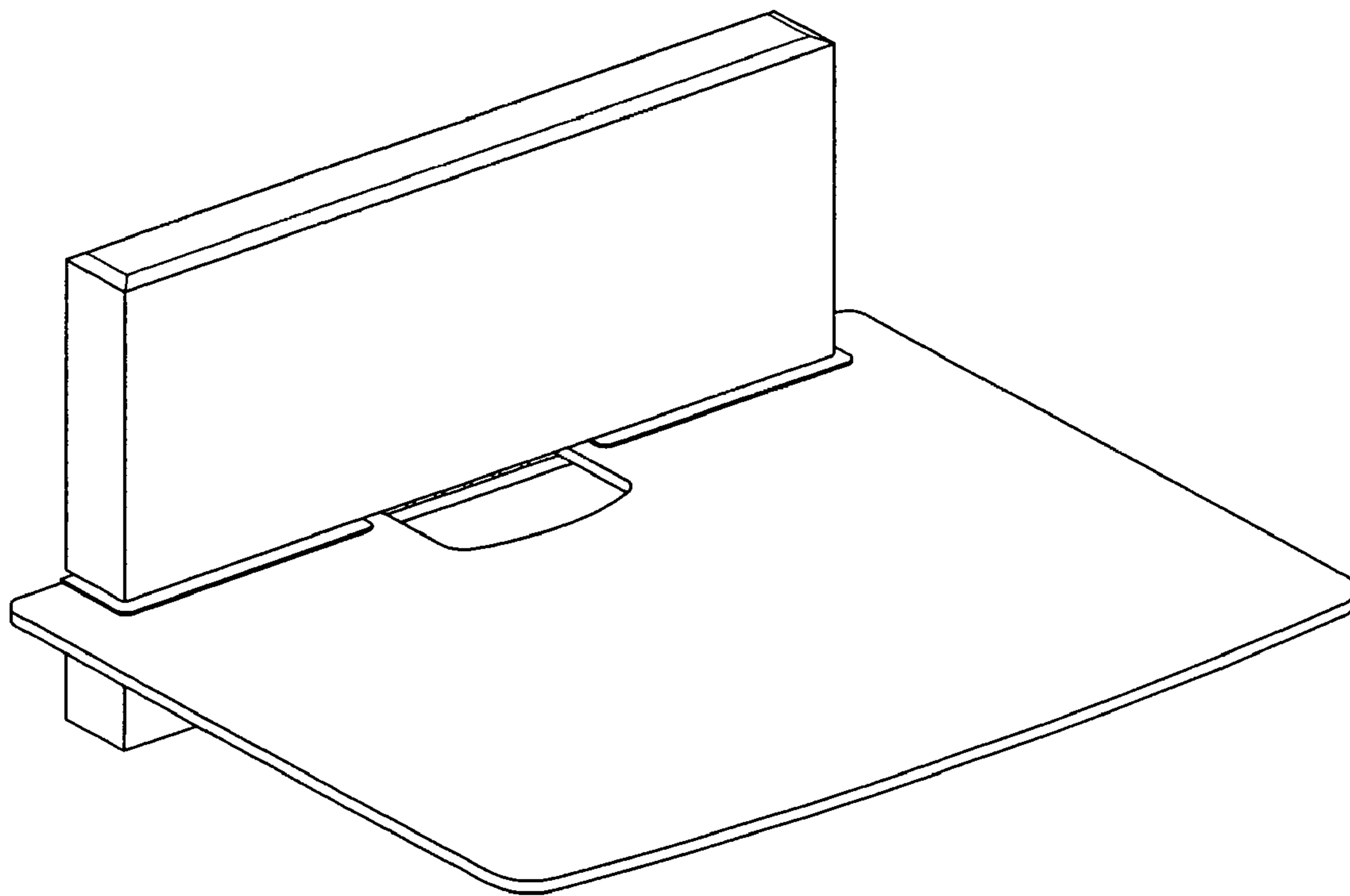


Fig. 1

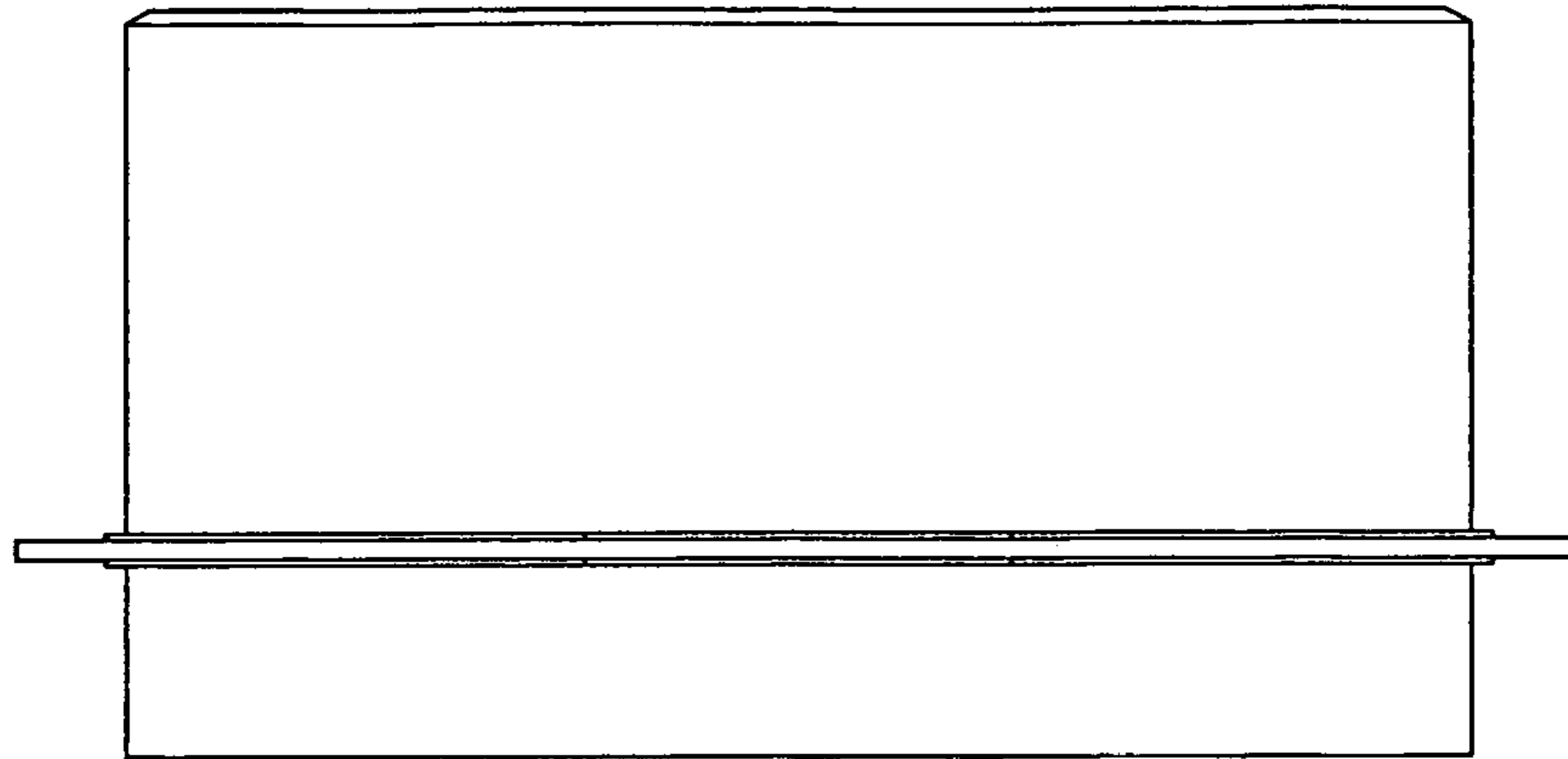


Fig. 2

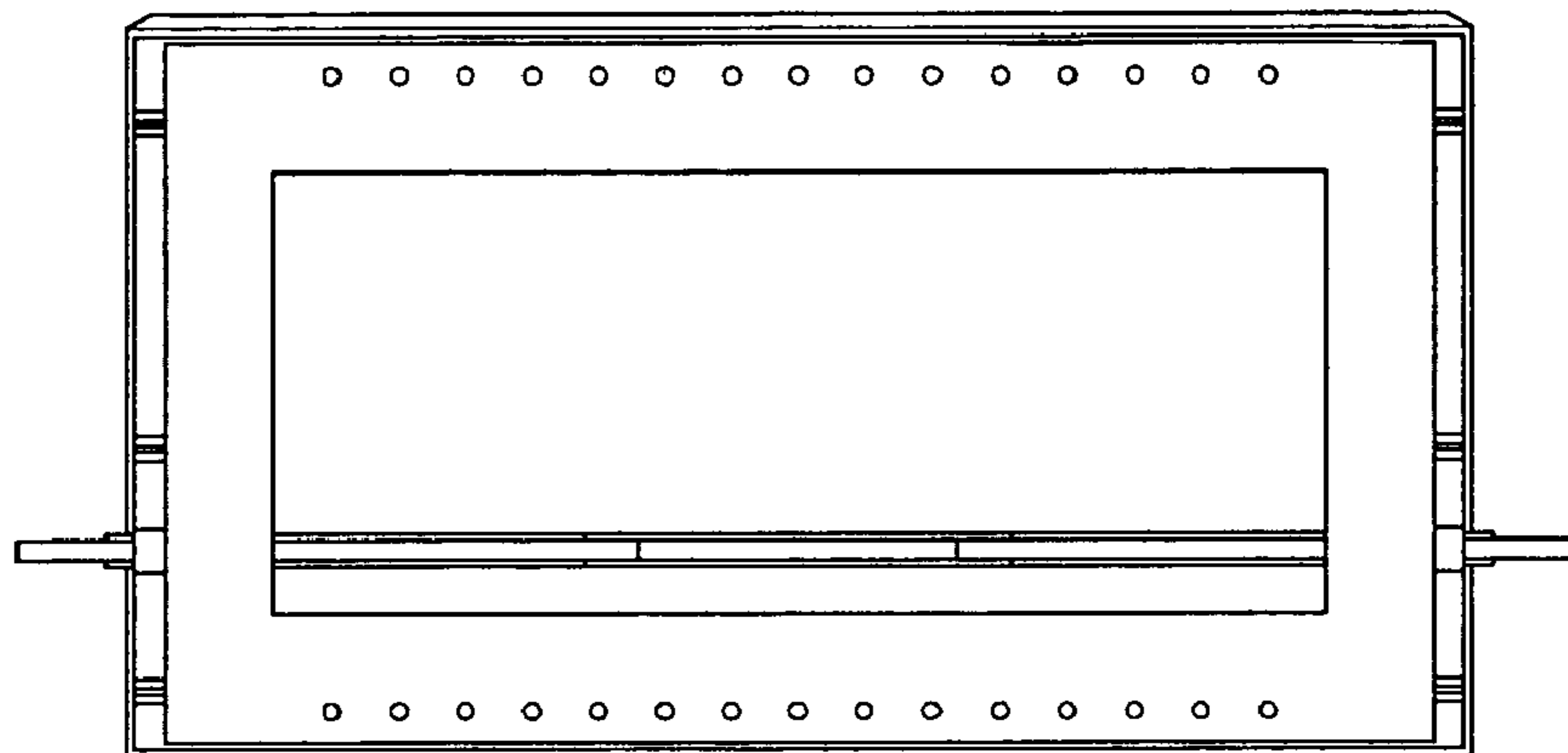


Fig. 3

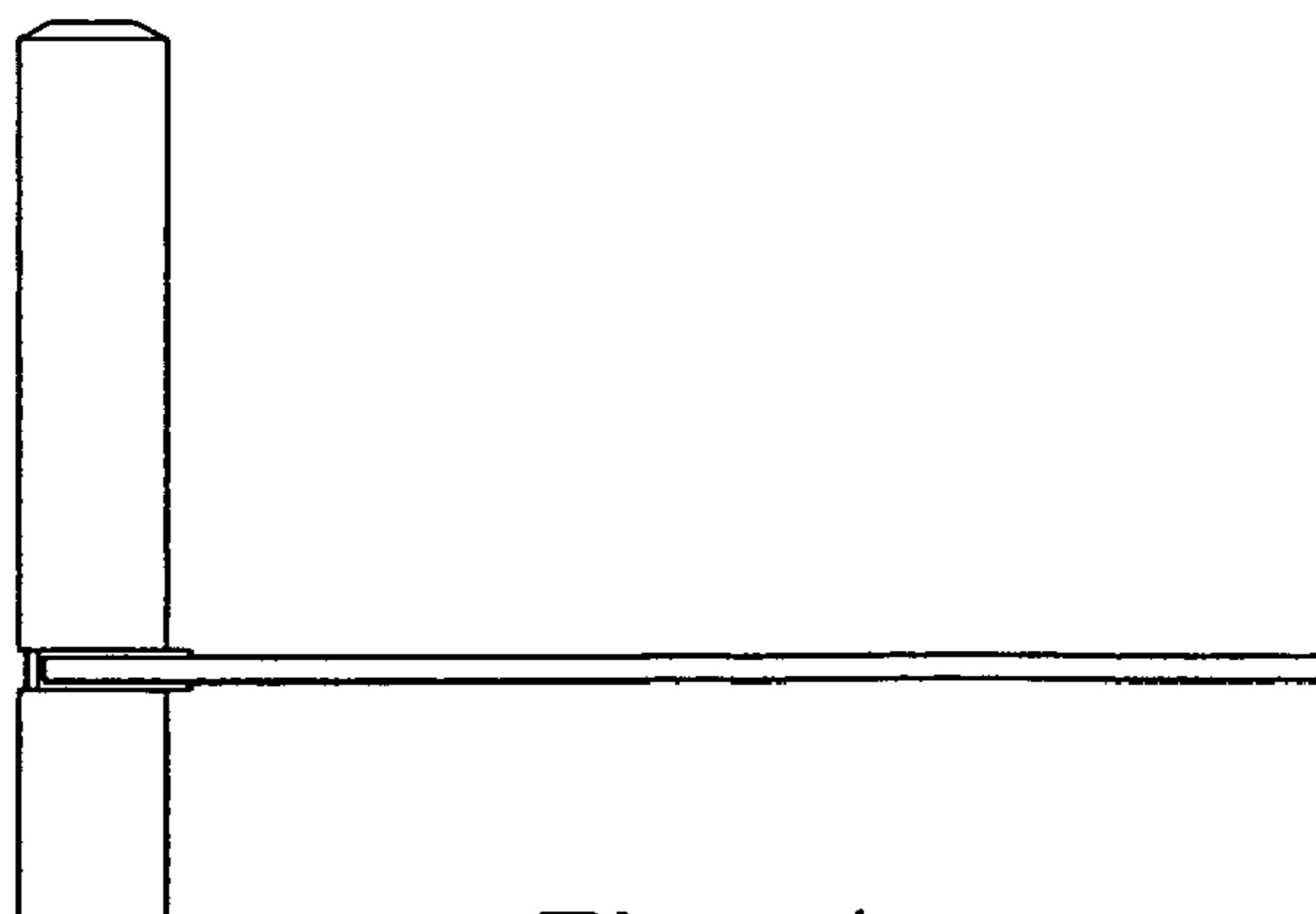


Fig. 4

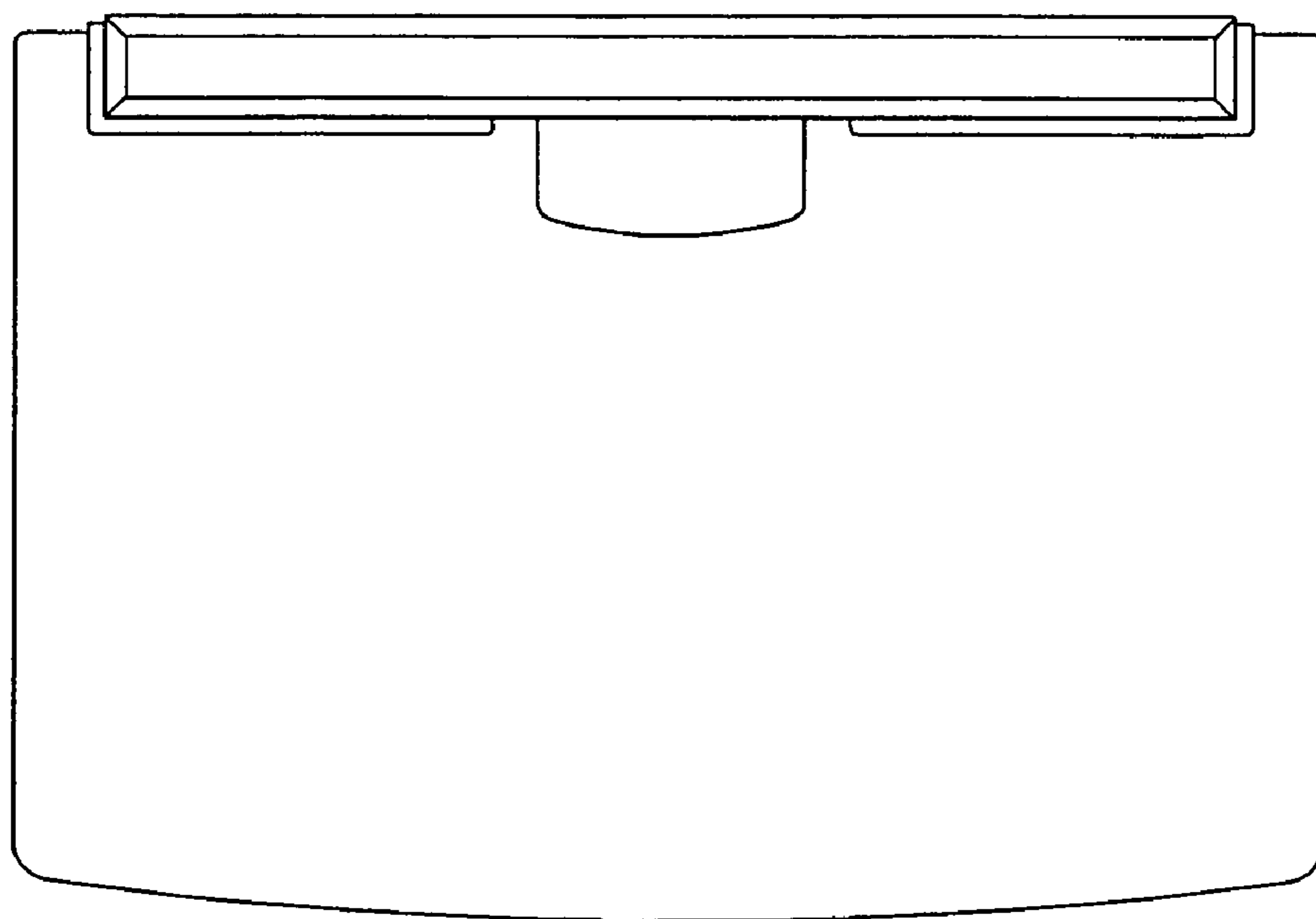


Fig. 5

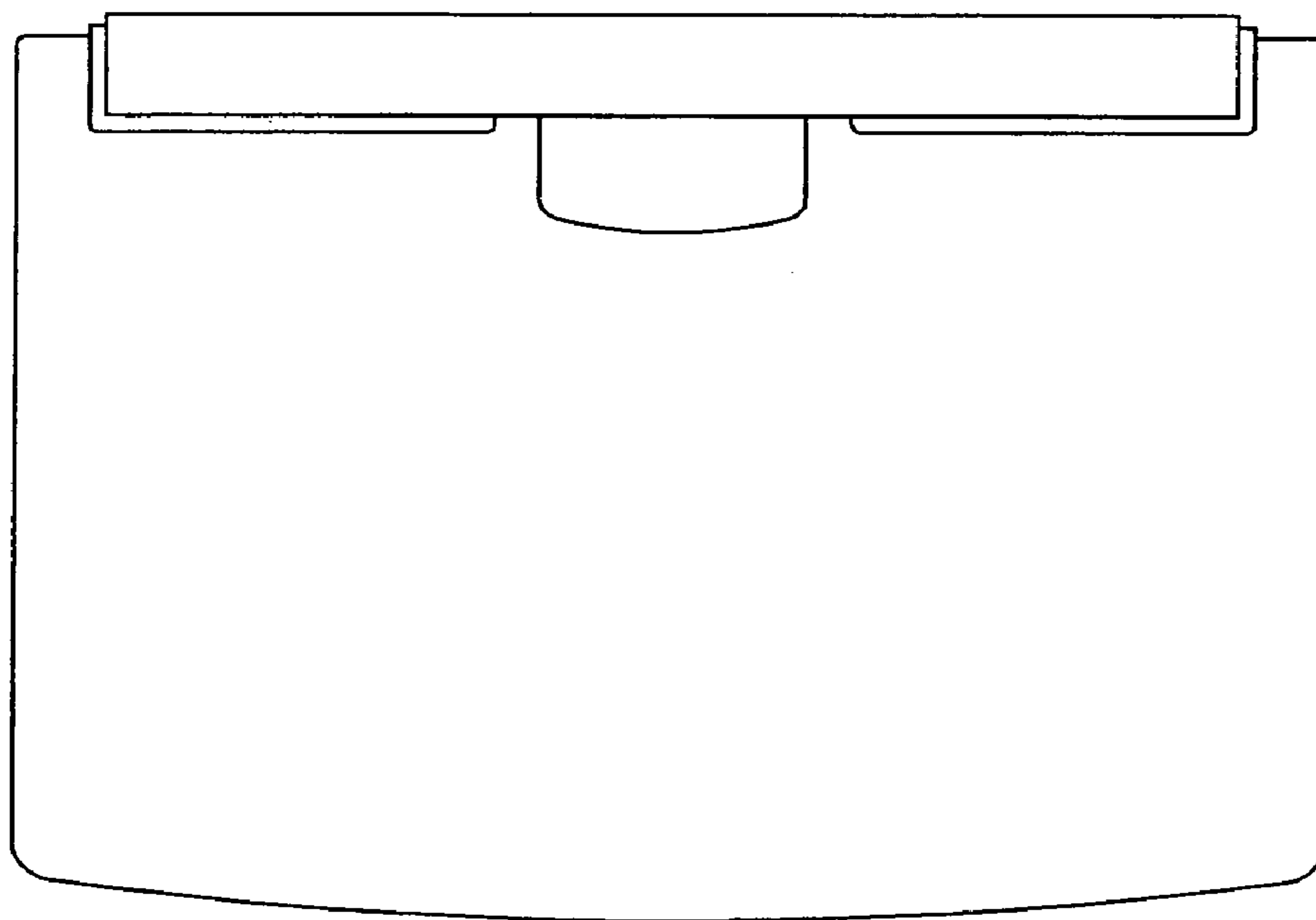


Fig. 6