

US00D546100S

(12) **United States Design Patent**
De Boes

(10) **Patent No.:** **US D546,100 S**
(45) **Date of Patent:** **** Jul. 10, 2007**

(54) **FILING CONTAINER FOR COMPACT DISCS**

(75) Inventor: **Peter Omer Livina De Boes**, Lokeren
(BE)

(73) Assignee: **All Invent Projects BVBA**, Lokeren
(BE)

(**) Term: **14 Years**

(21) Appl. No.: **29/235,209**

(22) Filed: **Jul. 29, 2005**

(30) **Foreign Application Priority Data**

Feb. 1, 2005 (EM) 000289798

(51) **LOC (8) Cl.** **06-06**

(52) **U.S. Cl.** **D6/509**

(58) **Field of Classification Search** D6/491,
D6/509, 553, 407, 512, 630; D8/349, 354,
D8/380-381

See application file for complete search history.

(56) **References Cited**

U.S. PATENT DOCUMENTS

- D226,647 S * 4/1973 Longato D6/475
- D289,240 S * 4/1987 Sylvester et al. D6/429
- D311,753 S * 10/1990 Westland et al. D18/59
- D326,569 S * 6/1992 Stravitz D6/407
- D345,267 S * 3/1994 Moore D6/474

- D396,774 S * 8/1998 Domenget D6/629
- D404,285 S * 1/1999 Skudelny D8/354
- D419,859 S * 2/2000 Marsh D8/381
- D461,710 S * 8/2002 Heltzer D8/395
- D504,609 S * 5/2005 Ferguson D8/380
- D522,348 S * 6/2006 Hansen D8/354
- D523,325 S * 6/2006 Ignagni D8/354
- D532,679 S * 11/2006 Ignagni D8/354

* cited by examiner

Primary Examiner—Cathron C. Brooks
Assistant Examiner—Kelley A. Donnelly
(74) *Attorney, Agent, or Firm*—Bacon & Thomas, PLLC

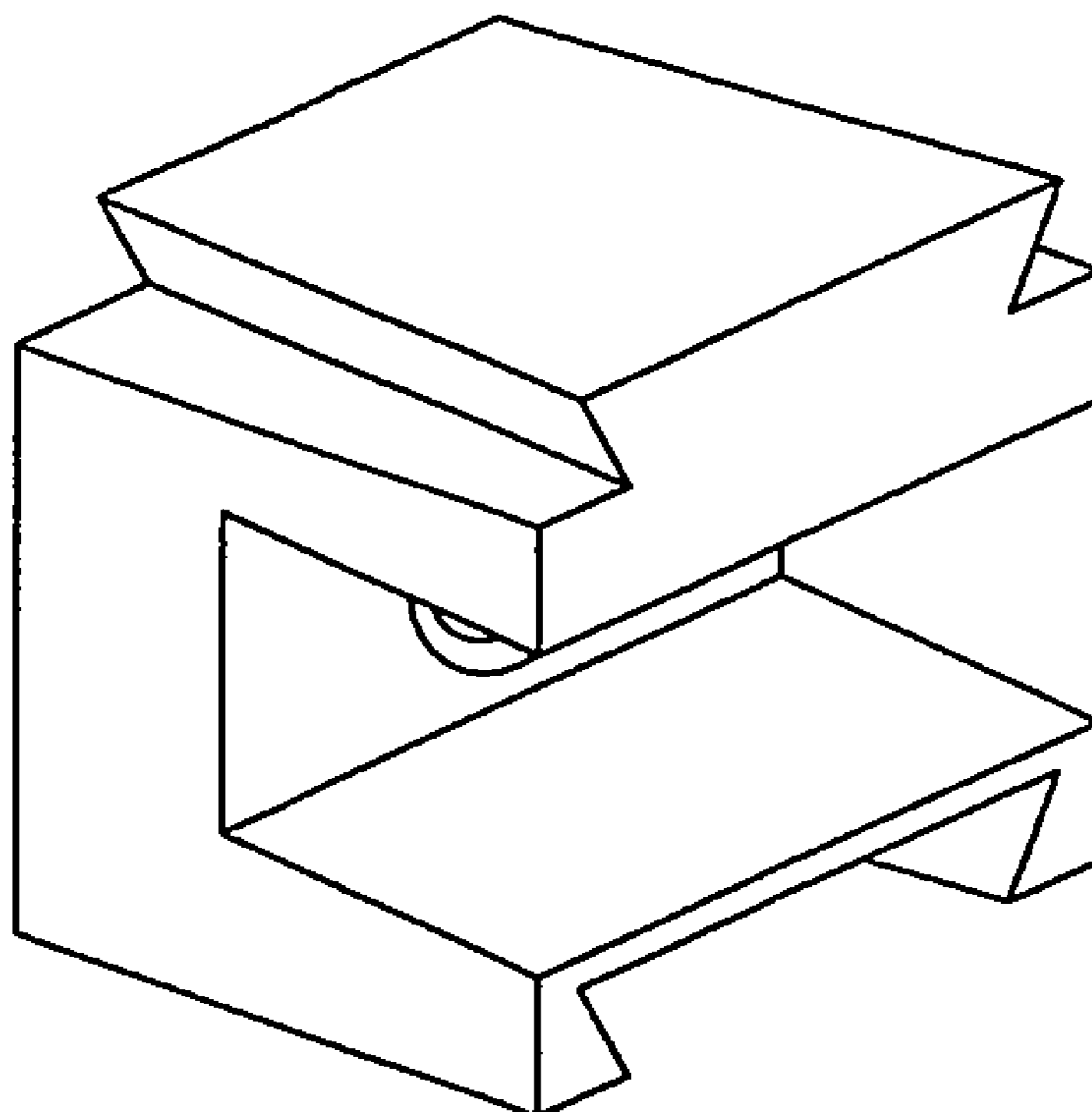
(57) **CLAIM**

I claim, the ornamental design for a filing container for compact discs, as shown.

DESCRIPTION

FIG. 1 is a perspective view, showing my new design;
FIG. 2 is a top view thereof;
FIG. 3 is a front view thereof;
FIG. 4 is a left view thereof;
FIG. 5 is a rear view thereof;
FIG. 6 is a right view thereof; and,
FIG. 7 is a bottom view thereof.

1 Claim, 2 Drawing Sheets



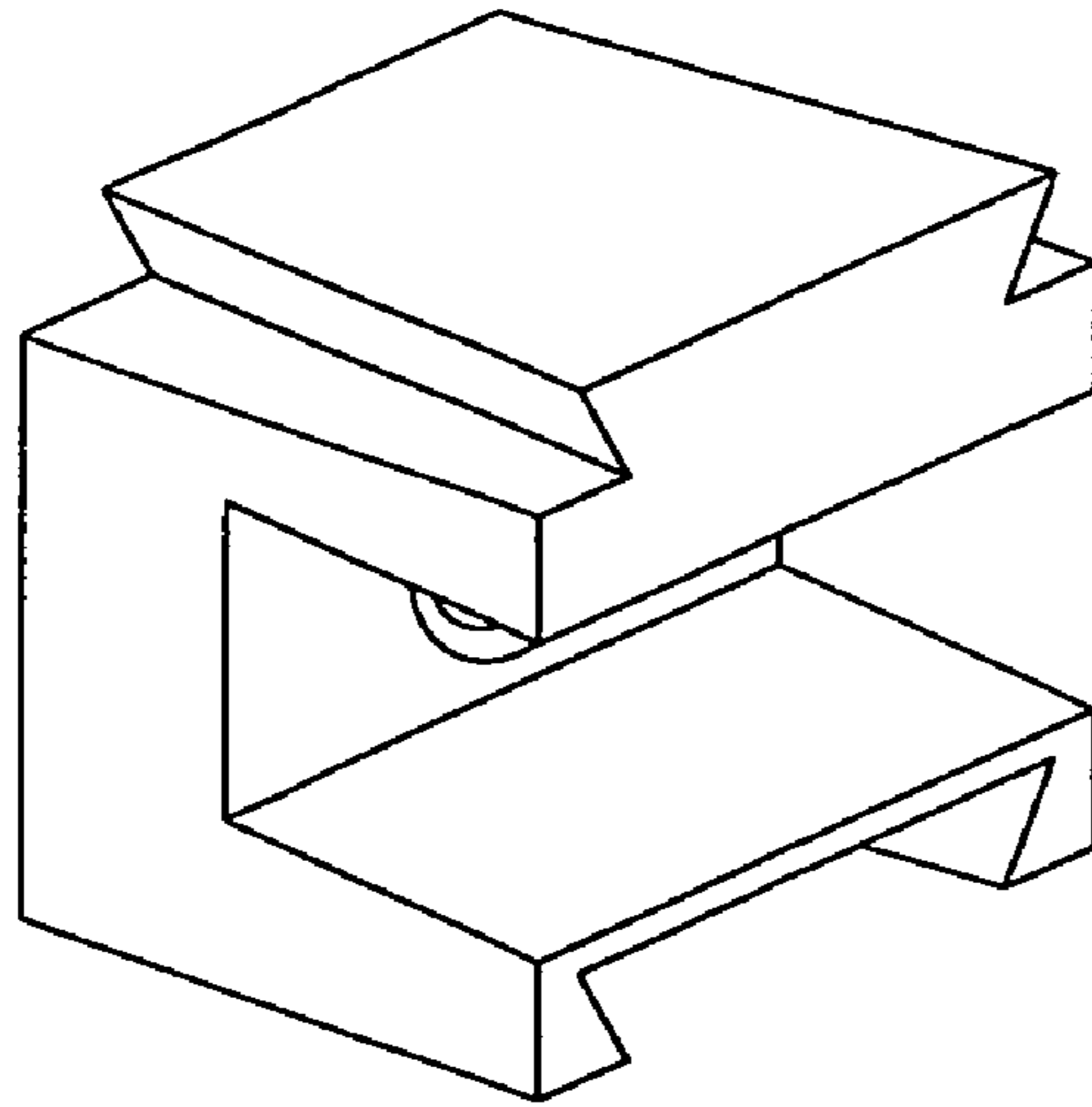


Fig. 1

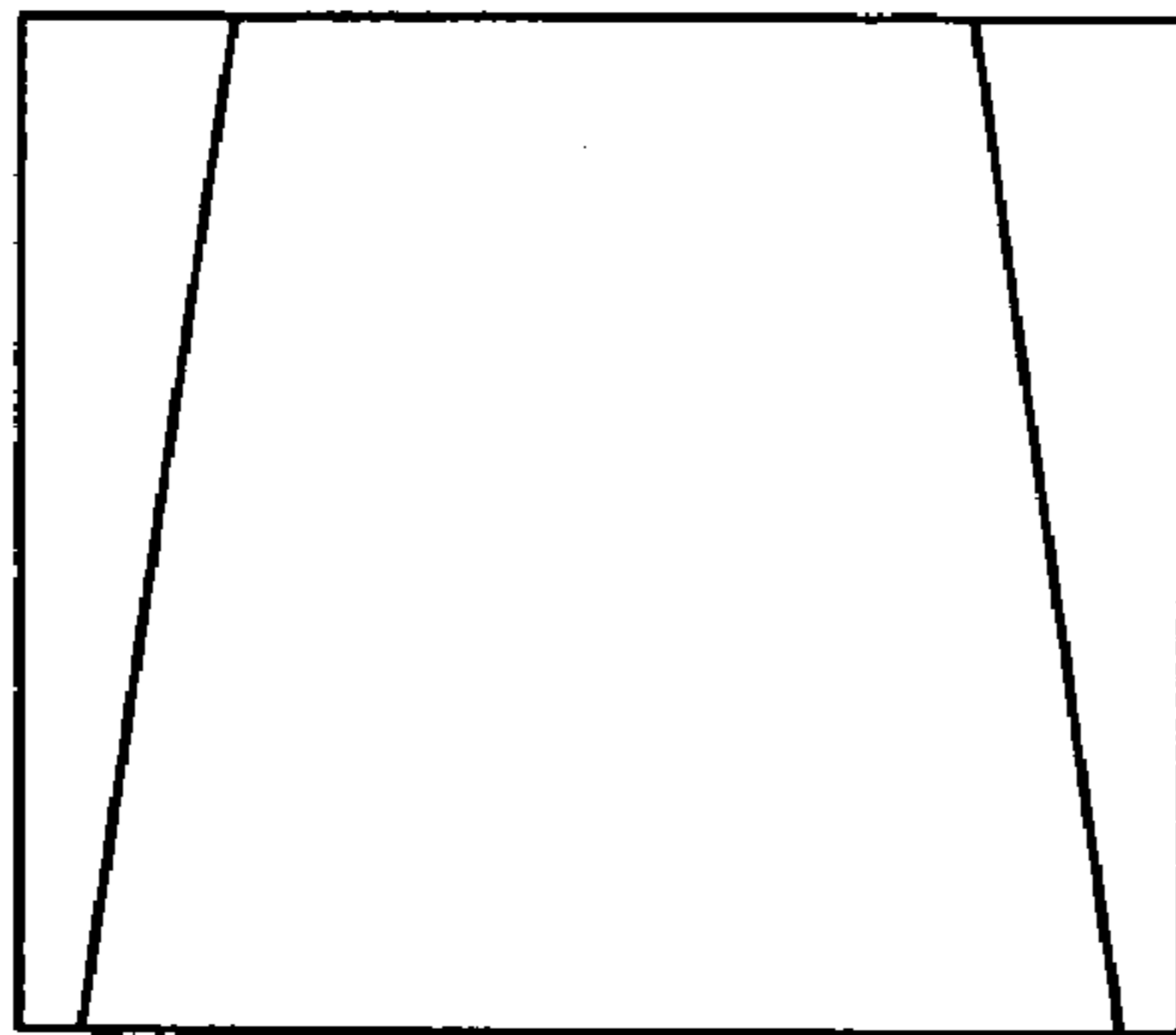


Fig. 2

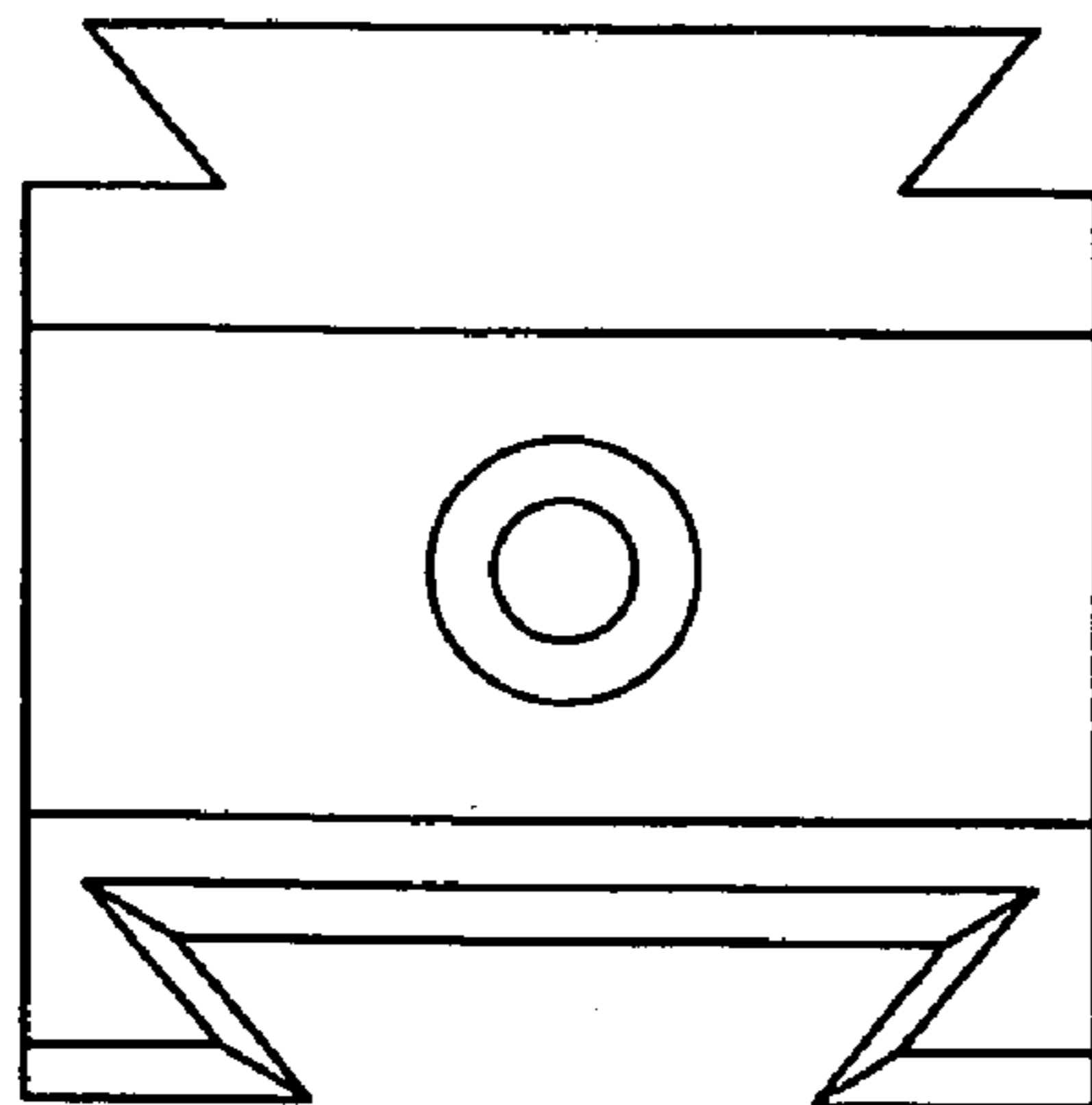


Fig. 3

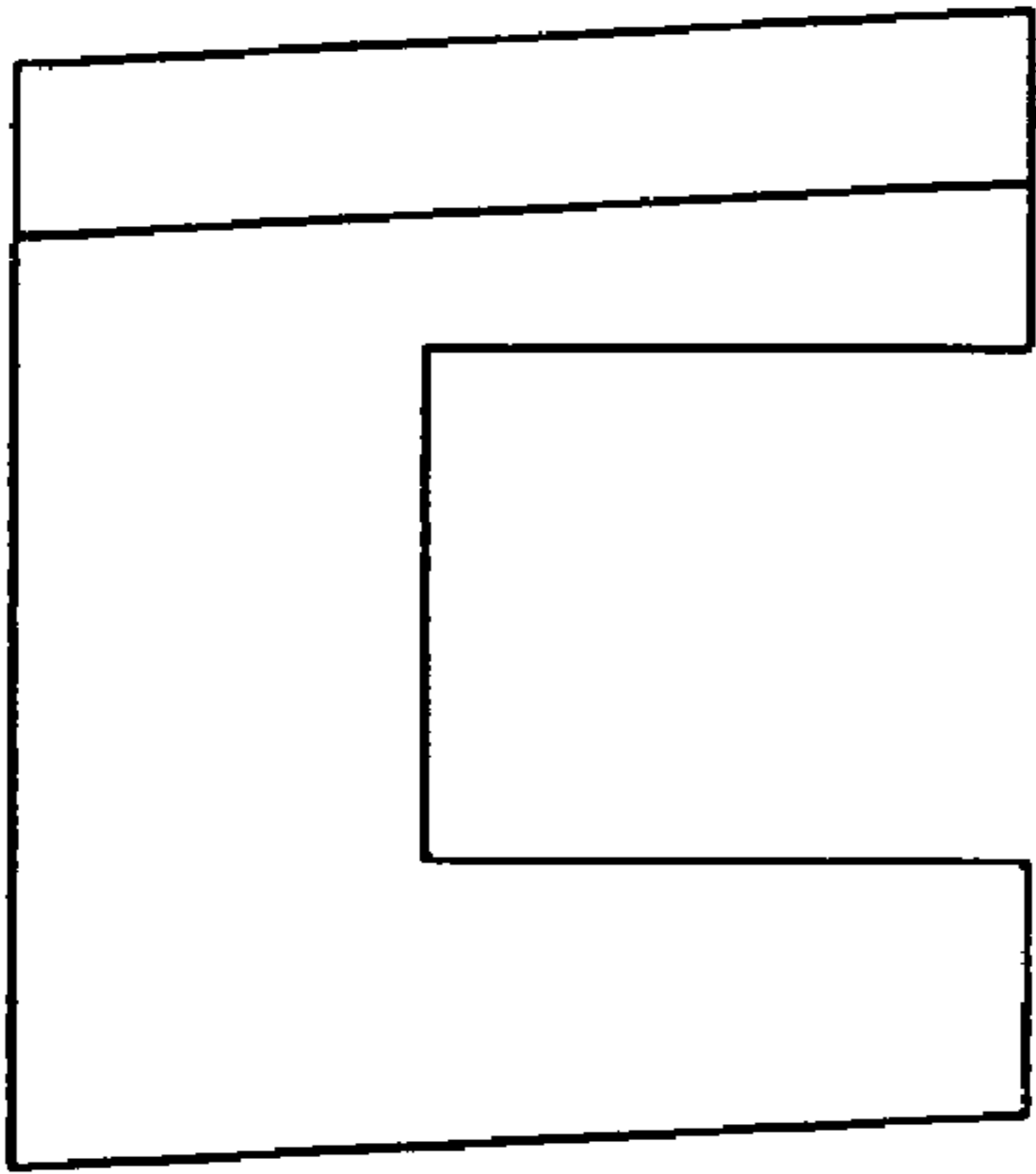


Fig. 4

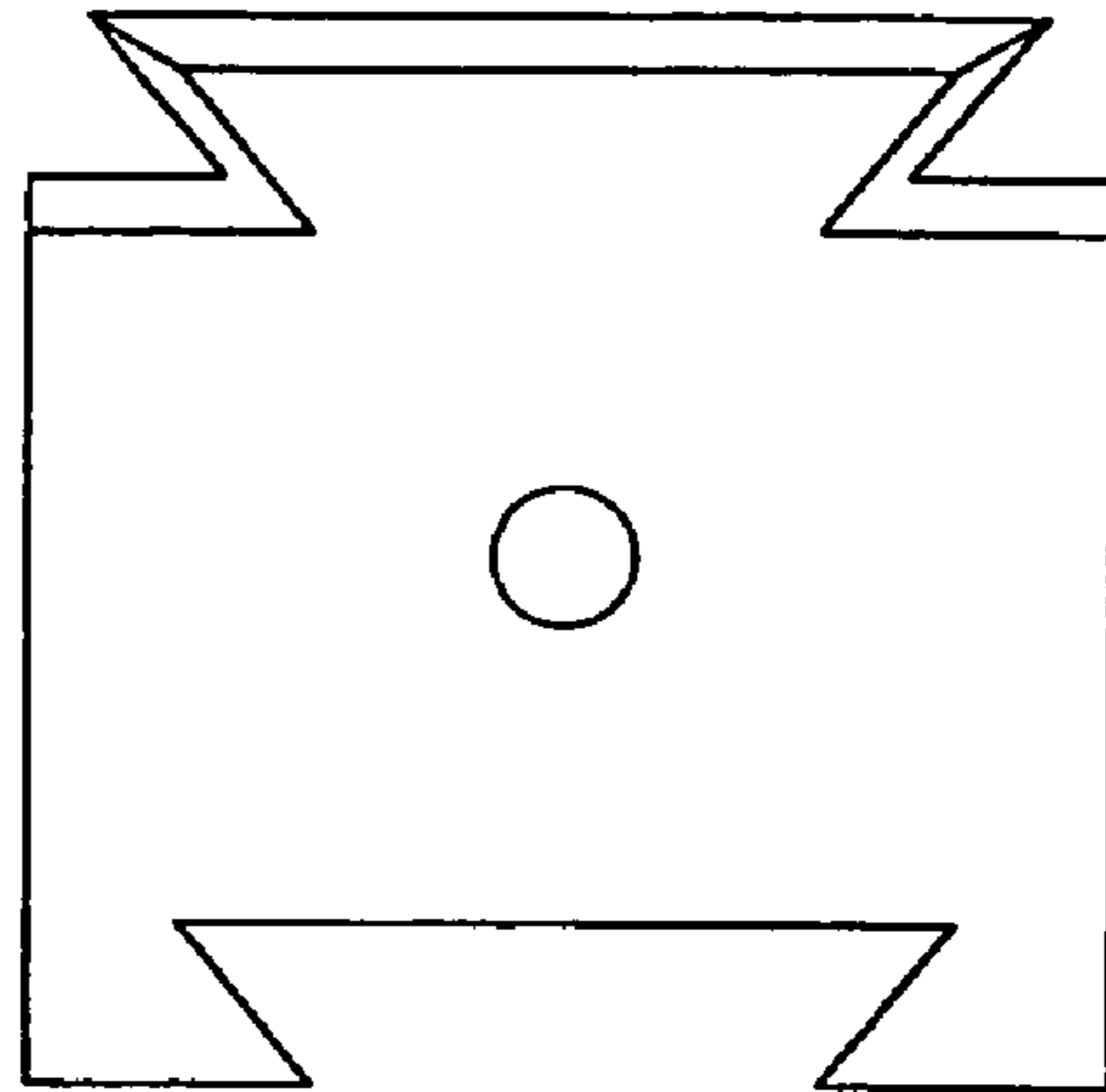


Fig. 5

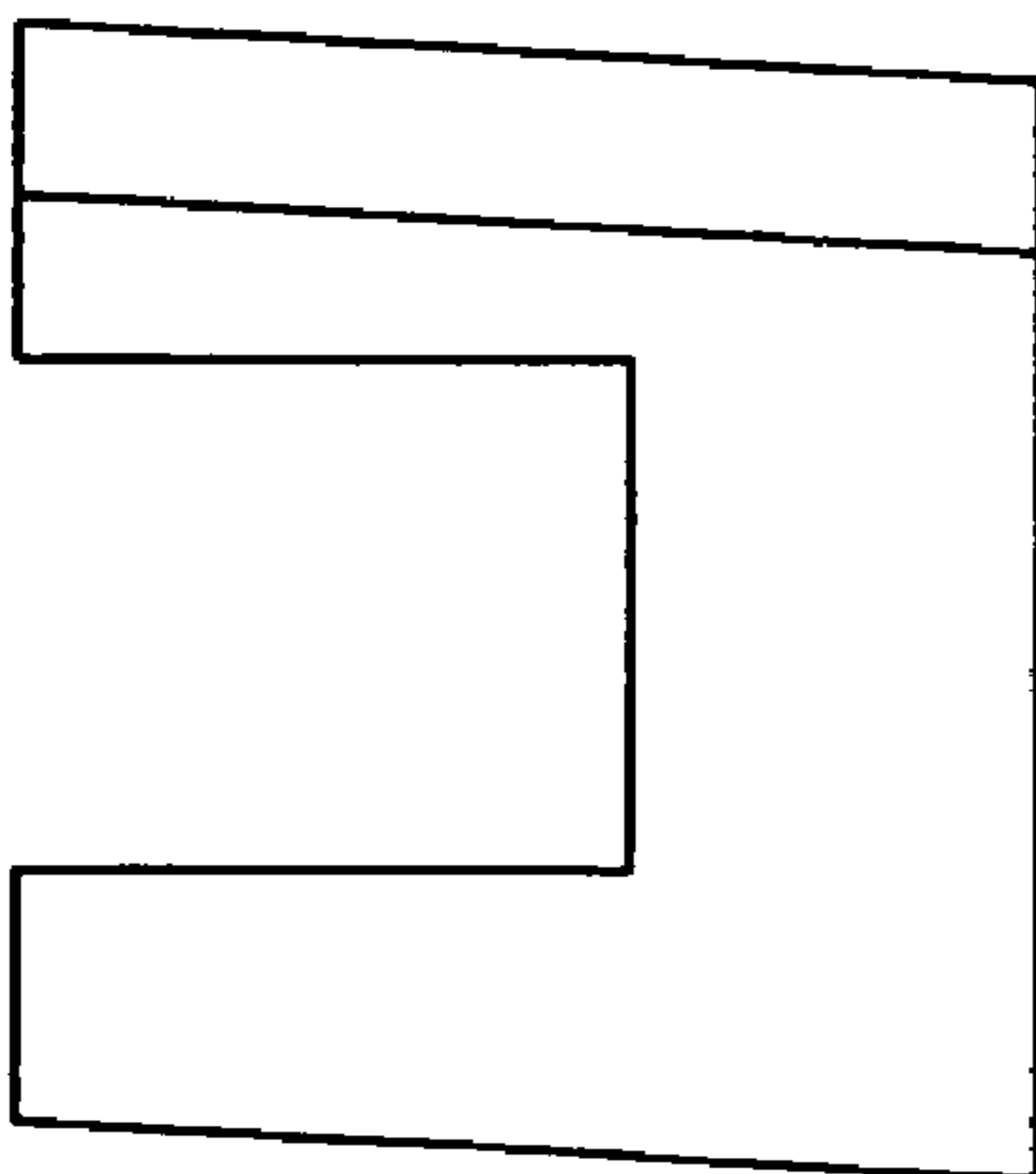


Fig. 6

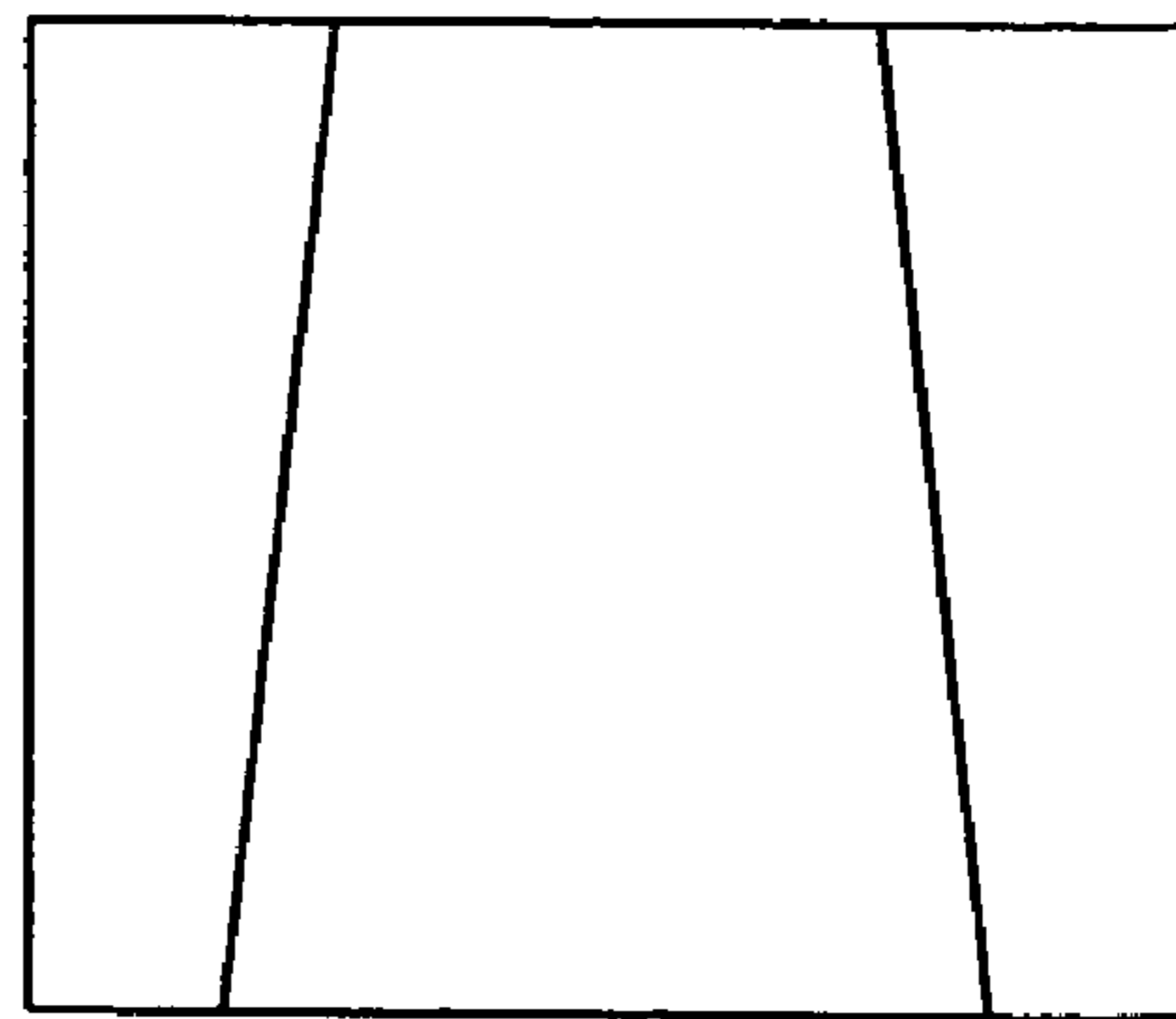


Fig. 7