



US00D546099S

(12) **United States Design Patent**
Roleder et al.

(10) **Patent No.:** **US D546,099 S**

(45) **Date of Patent:** **** Jul. 10, 2007**

(54) **ENDPLATE**

(75) Inventors: **Jon Roleder**, San Diego, CA (US);
Richard Estrada, Oceanside, CA (US)

(73) Assignee: **Earthlite Massage Tables, Inc.**, Vista,
CA (US)

(**) Term: **14 Years**

(21) Appl. No.: **29/232,265**

(22) Filed: **Jun. 16, 2005**

(51) **LOC (8) Cl.** **06-06**

(52) **U.S. Cl.** **D6/492; D24/184; D6/491**

(58) **Field of Classification Search** D6/480-489,
D6/495-499, 382, 392, 491-494, 376; 108/153.1,
108/155, 156, 161; 248/188, 188.1; D24/183,
D24/184; D25/152-154; 5/621, 622, 279.1,
5/907

See application file for complete search history.

(56) **References Cited**

U.S. PATENT DOCUMENTS

D183,471 S * 9/1958 Cohen D7/654
D373,269 S * 9/1996 Muller D6/484
D380,313 S * 7/1997 Slear D6/370
D388,969 S * 1/1998 Goodman D6/376
D466,342 S * 12/2002 Caldwell D6/502

OTHER PUBLICATIONS

<http://www.oakworks.net/portables/advanta.html>. These webpages include pictures of prior art massage tables sold by Oakworks.
http://www.customcraftworks.com/port_tables1.html. These webpages include pictures of prior art massage tables sold Custom Craftworks.

<http://www.goldenratio.com/GRW/Portable/MasterBodyworker.html>. These webpages include pictures of prior art massage tables sold by Golden Ratio.

Earthlite Massage Tables, Inc. product brochure. This brochure includes pictures of prior art massage tables sold by Earthlite Massage Tables, Inc.

<http://www.ovaltable.com/massageTables.htm>. These webpages include pictures of a prior art massage table end plate design sold by Creative Touch.

* cited by examiner

Primary Examiner—Janice E. Seeger

(74) *Attorney, Agent, or Firm*—Steven G. Roeder; James P. Broder

(57) **CLAIM**

The ornamental design for an endplate, as shown and described.

DESCRIPTION

FIG. 1 is a perspective view of an endplate, showing our new design;

FIG. 2 is a front perspective view of the endplate;

FIG. 3 is a front view of the endplate;

FIG. 4 is a rear view of the endplate;

FIG. 5 is a top view of the endplate;

FIG. 6 is a bottom view of the endplate;

FIG. 7 is a side view of the endplate; and,

FIG. 8 is the other side view of the endplate.

The broken lines showing the massage table are for environmental purposes only and form no part of the claimed design.

1 Claim, 3 Drawing Sheets

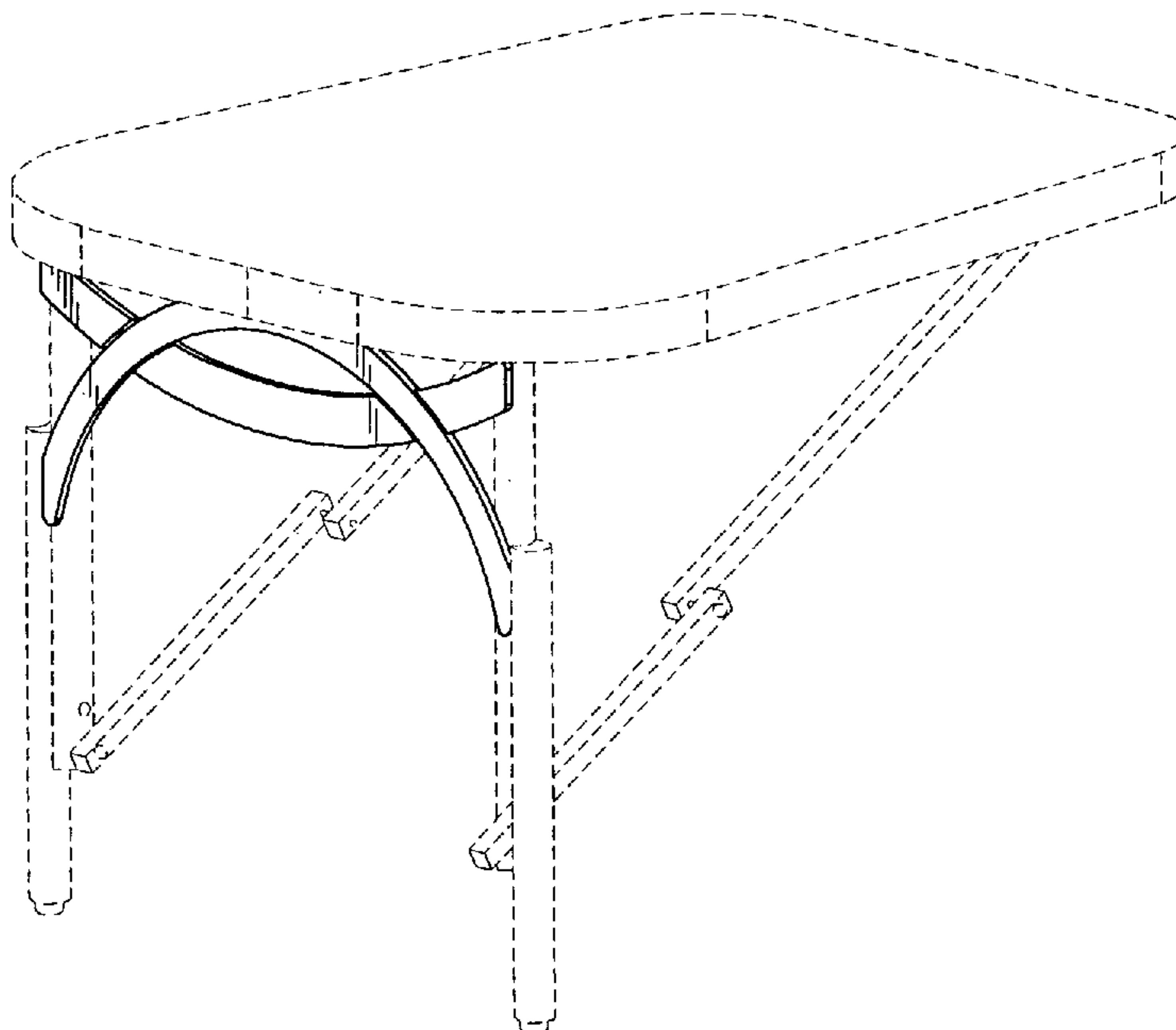


FIG. 1

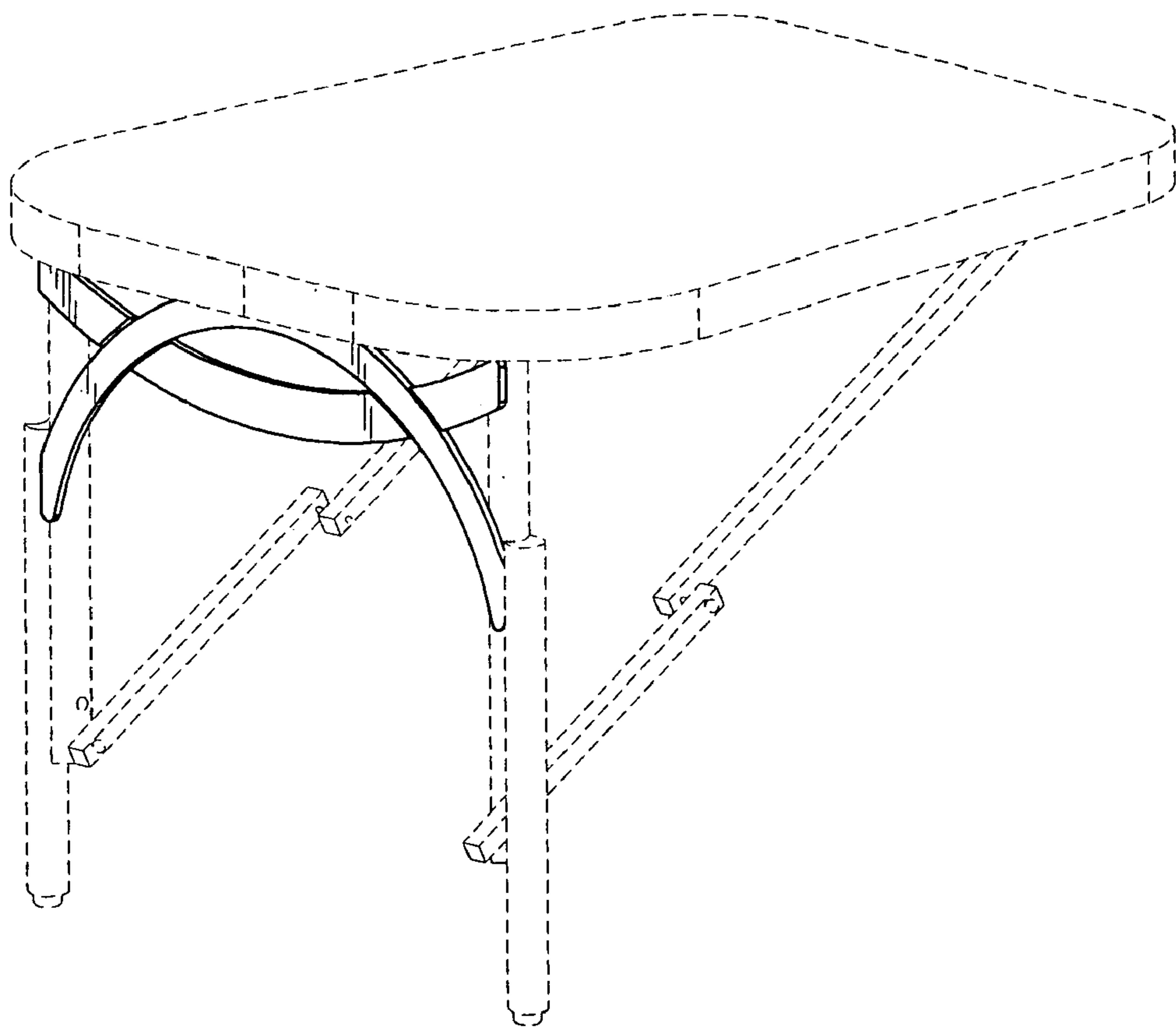


FIG. 2

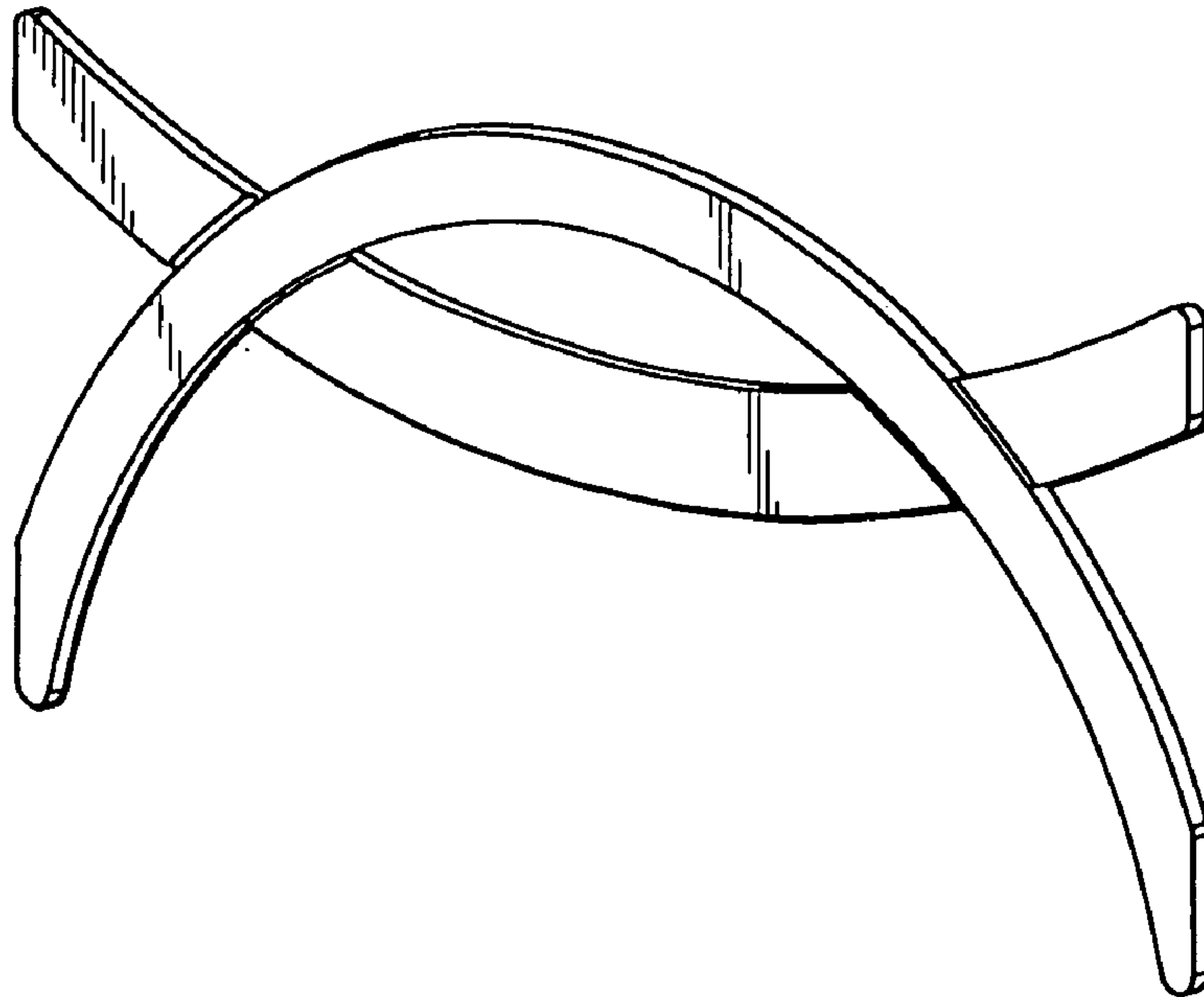


FIG. 3

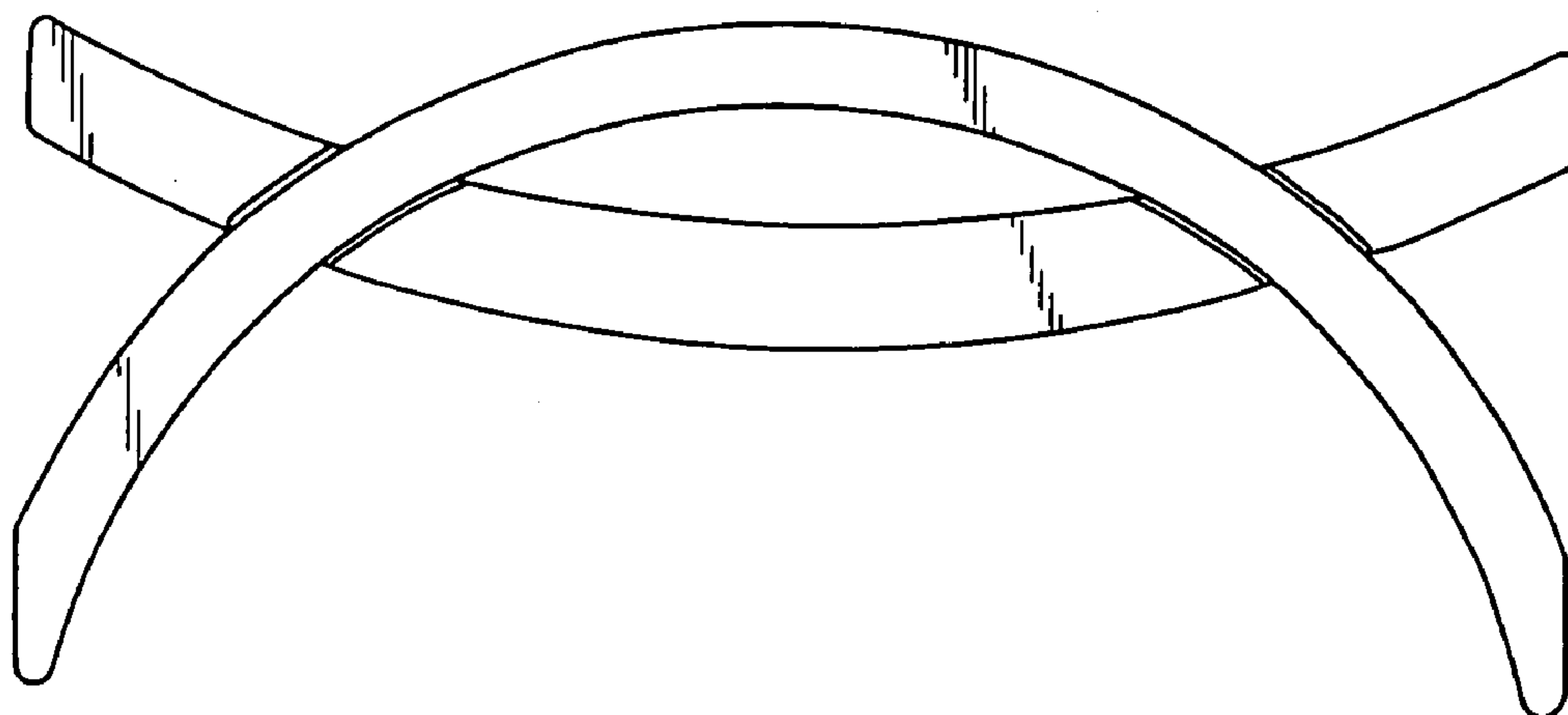


FIG. 4

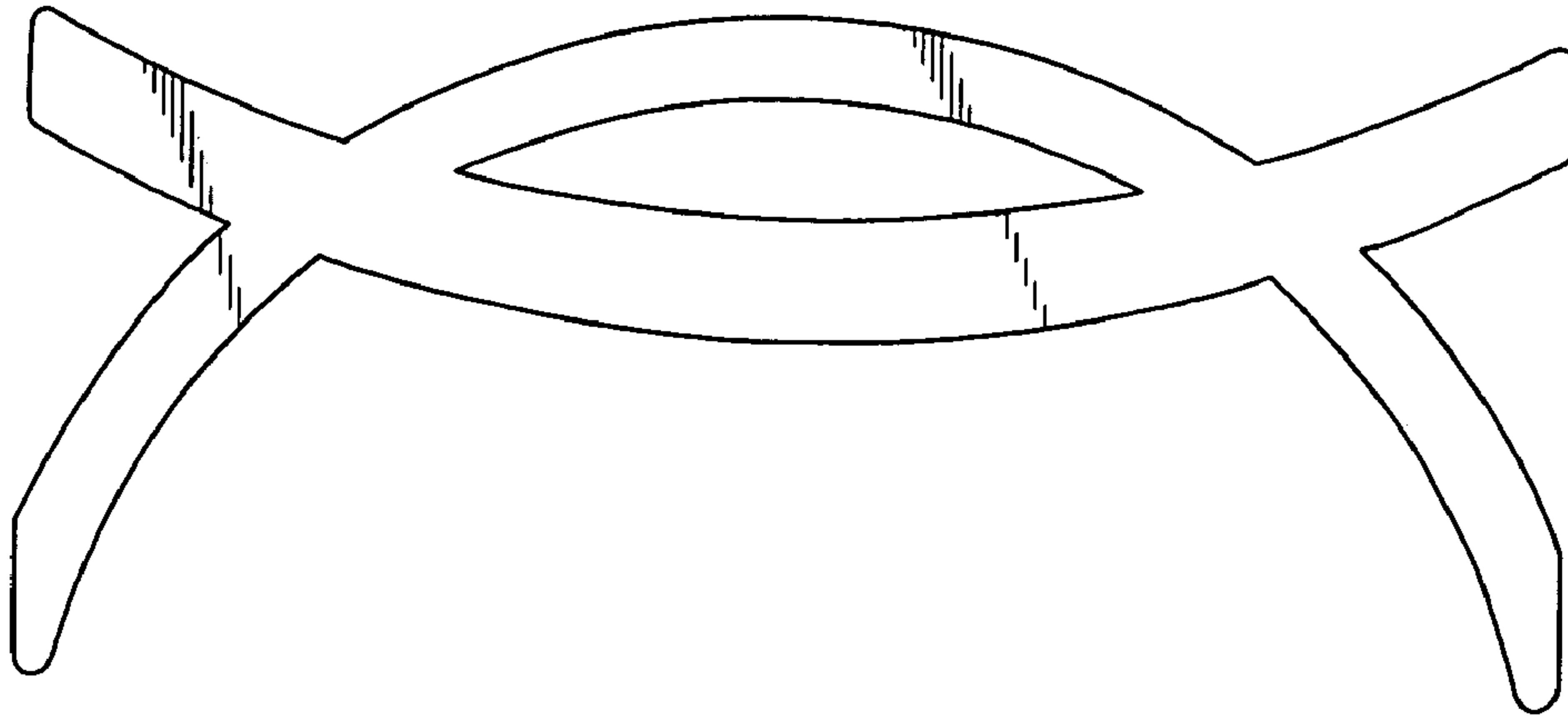


FIG. 5

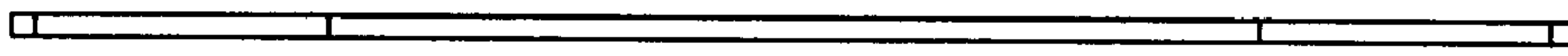


FIG. 6

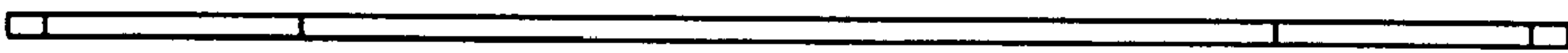


FIG. 7



FIG. 8

