

US00D546097S

(12) **United States Design Patent** (10) **Patent No.:** **US D546,097 S**  
**Glass et al.** (45) **Date of Patent:** **\*\* Jul. 10, 2007**

(54) **DESK**  
(75) Inventors: **Peter Glass**, Arroyo Grande, CA (US);  
**Robert J. Mills**, Torrance, CA (US)  
(73) Assignee: **Virco Mgmt. Corporation**, Torrance,  
CA (US)

D473,399 S 4/2003 Holbrook et al.  
D474,044 S 5/2003 Holbrook et al.  
D474,356 S \* 5/2003 Bosman et al. .... D6/487  
6,874,429 B2 4/2005 Bosman et al.  
D507,710 S 7/2005 Fletcher et al.  
D510,670 S 10/2005 Glass et al.

(\*\*) Term: **14 Years**  
(21) Appl. No.: **29/254,924**  
(22) Filed: **Mar. 3, 2006**

**OTHER PUBLICATIONS**

Arteo-Bell Corporation "Product Catalog", p. 22, model C800, undated.  
KI Intellect Two-Student Table, www.ki.com, Feb. 28, 2006.  
Royal Seating, Ltd., Total Furniture Solutions, p. 16, models 900D and 905D, and p. 17, model 910D, undated.  
Scholar Craft, "School Furniture" catalog, p. 26, model 7950, 2003.  
Smith System, "Furniture for Teaching and Technology" catalog, p. 35, models 01380 and 01361, 2004.

(51) **LOC (8) Cl.** ..... **06-03**  
(52) **U.S. Cl.** ..... **D6/487**  
(58) **Field of Classification Search** ..... D6/480-489,  
D6/495-499, 511, 429; 108/150, 153.1,  
108/155, 156, 191; 248/188, 188.1, 188.8  
See application file for complete search history.

\* cited by examiner

*Primary Examiner*—Janice E. Seeger  
(74) *Attorney, Agent, or Firm*—Robert M. Hupe; Virco  
Mgmt. Corporation

(56) **References Cited**  
U.S. PATENT DOCUMENTS

(57) **CLAIM**

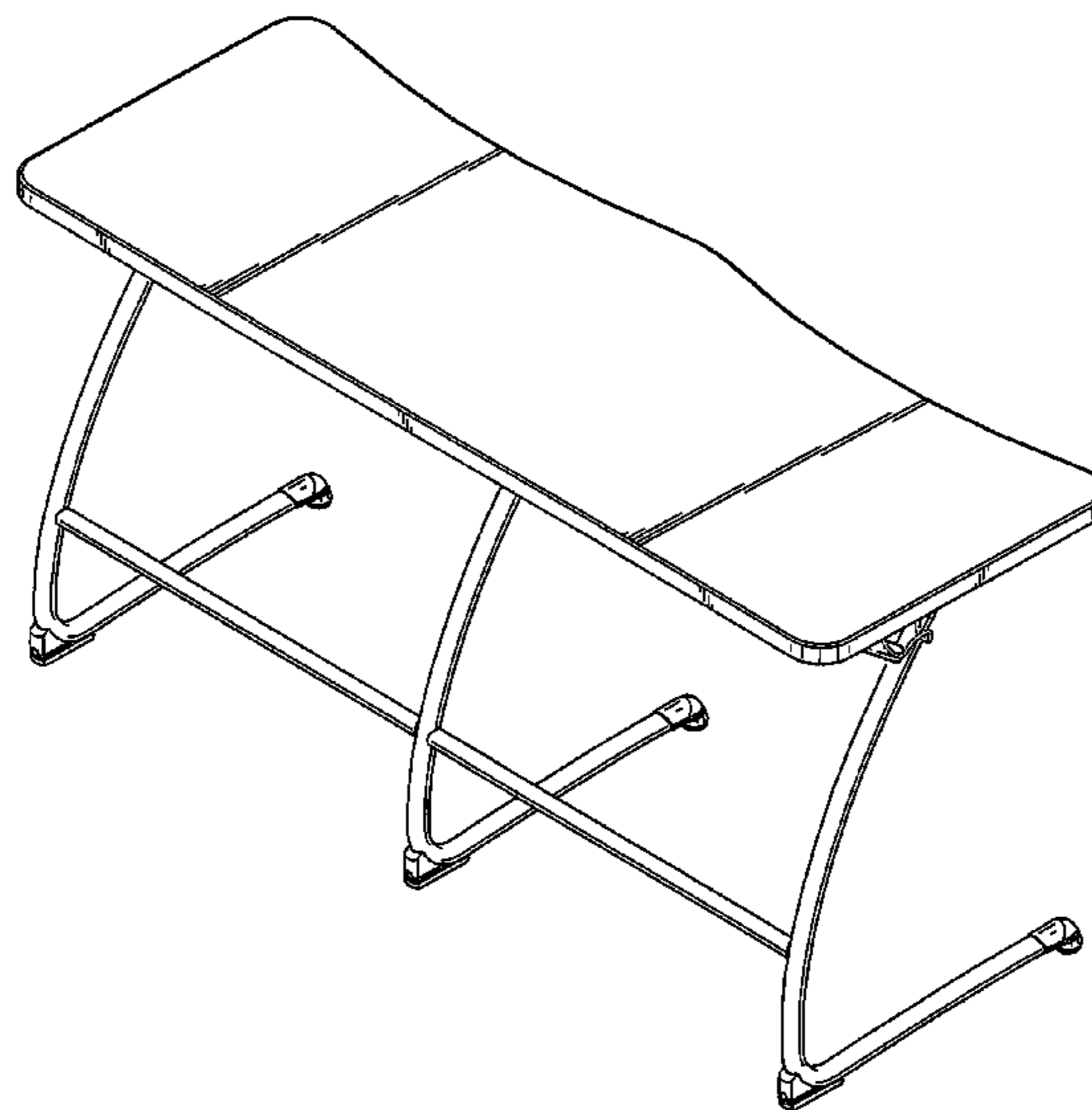
The ornamental design for a "desk," as shown and described.

- D99,565 S 5/1936 Talbert
- D113,459 S 2/1939 Haag
- D168,787 S 2/1953 Florian et al.
- D170,004 S 7/1953 Chapman et al.
- D170,006 S 7/1953 Chapman et al.
- D177,297 S 3/1956 Wright
- D177,298 S 3/1956 Wright
- D178,408 S 7/1956 Konkle
- D183,442 S 8/1958 Williams
- D216,710 S 3/1970 Lambert et al.
- D273,163 S 3/1984 Halme
- D306,105 S 2/1990 Newhouse
- D321,447 S 11/1991 Newhouse
- D335,787 S 5/1993 Hollington
- D386,631 S 11/1997 Meier et al.
- D388,639 S \* 1/1998 Dormon et al. .... D6/482
- D435,366 S 12/2000 McClintock
- D449,470 S \* 10/2001 Morrow ..... D6/484
- D473,068 S 4/2003 Holbrook et al.

**DESCRIPTION**

FIG. 1 is a perspective view of a desk showing my new design;  
FIG. 2 a top view thereof;  
FIG. 3 is a back plan view thereof;  
FIG. 4 is a left side view thereof, the opposite side view being a mirror image thereof;  
FIG. 5 is a front plan view thereof; and,  
FIG. 6 is a bottom view thereof.  
The broken lines are for illustrative purposes only and form no part of the claimed design.

**1 Claim, 6 Drawing Sheets**



*FIG. 1*

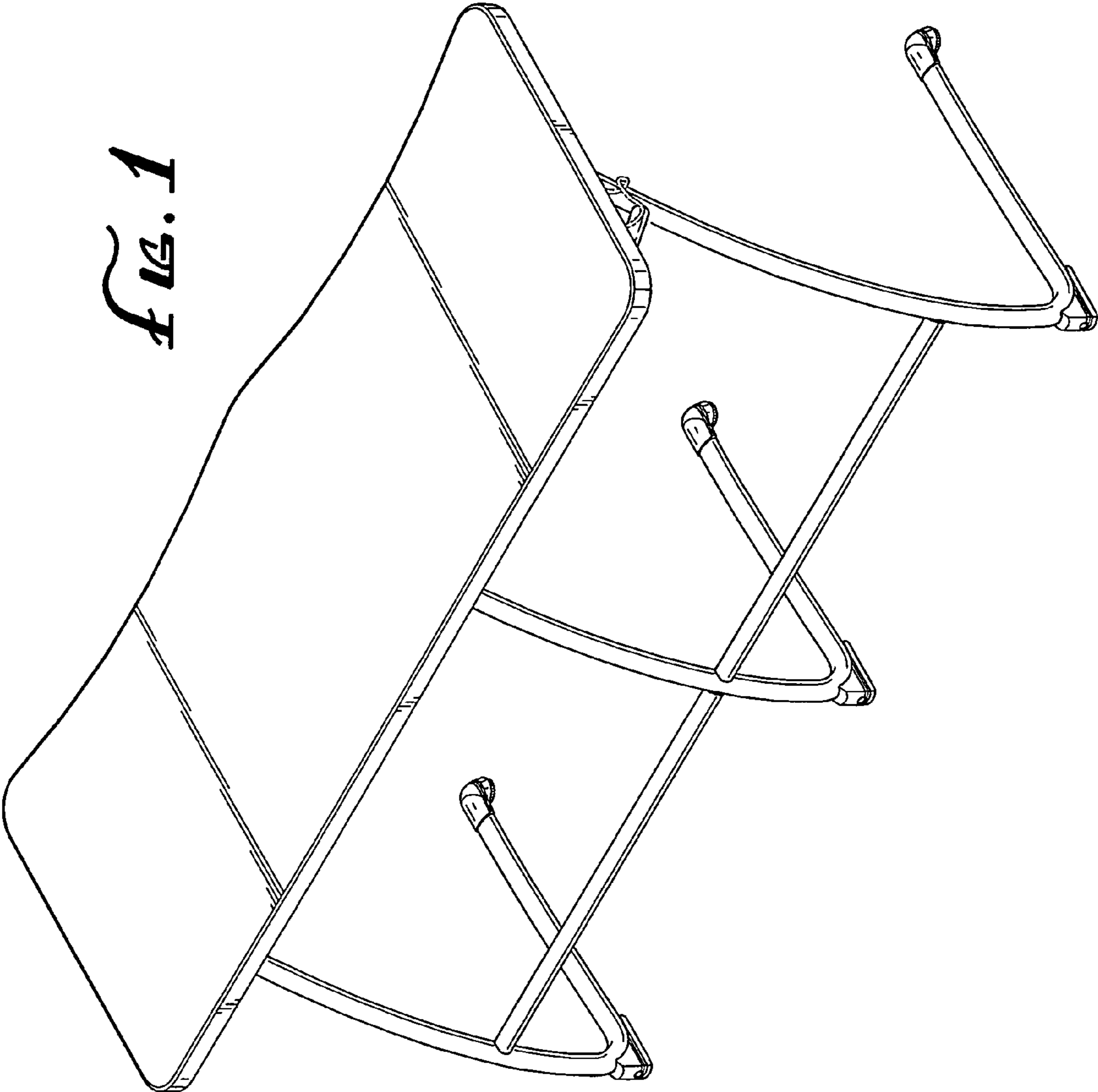


Fig. 2

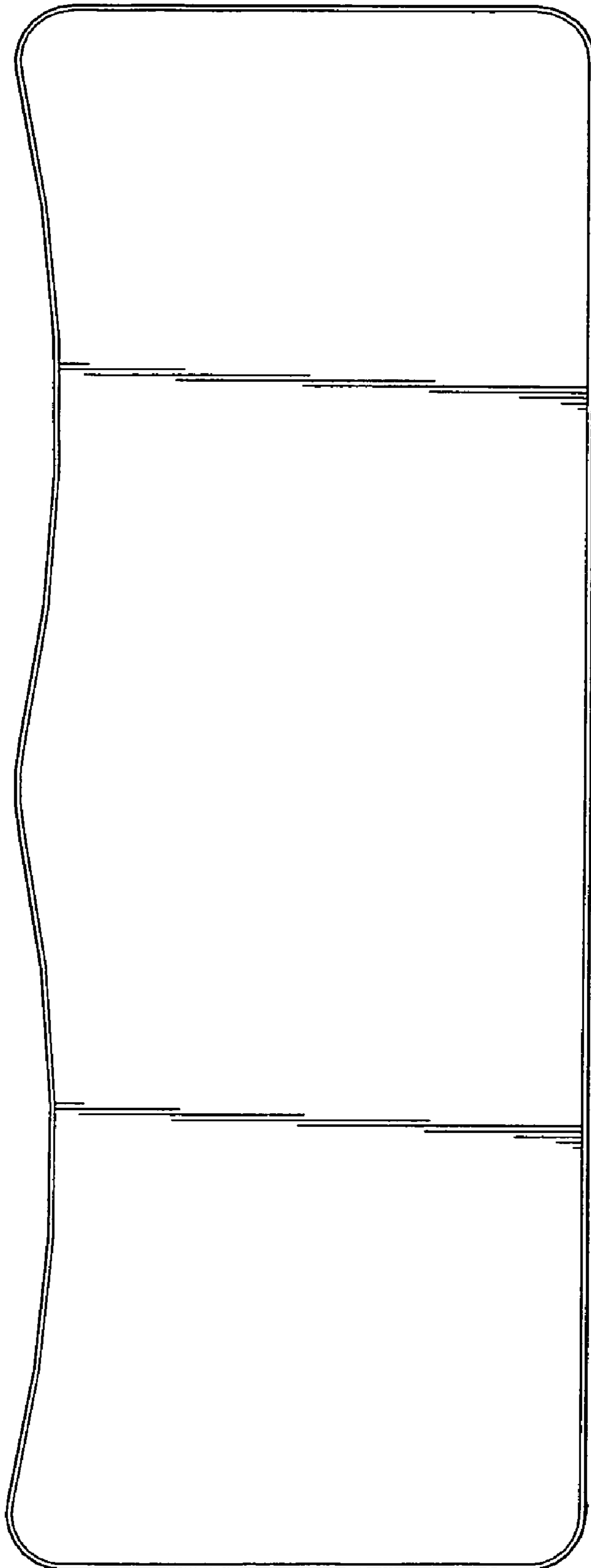


Fig. 3

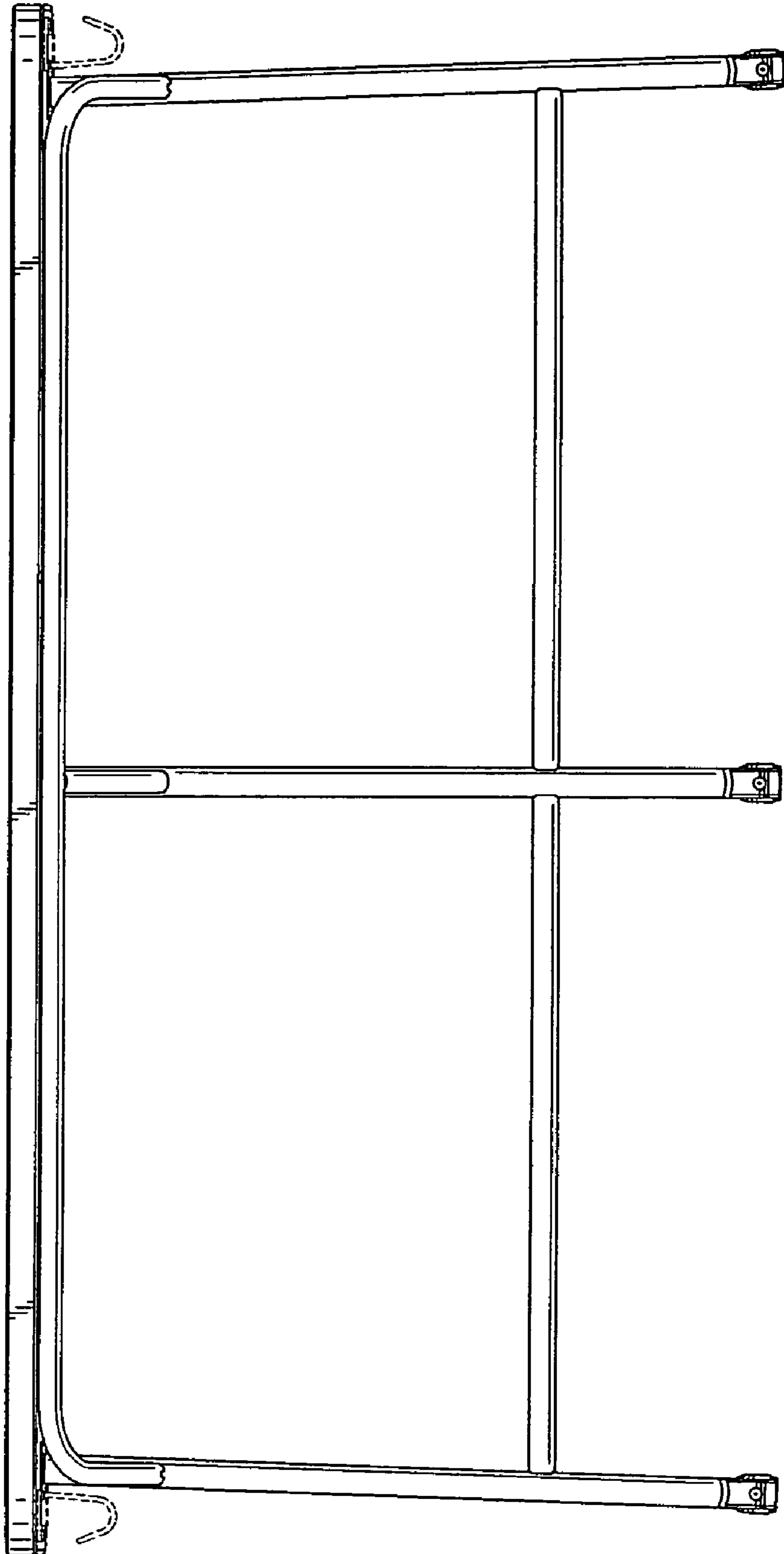


FIG. 4

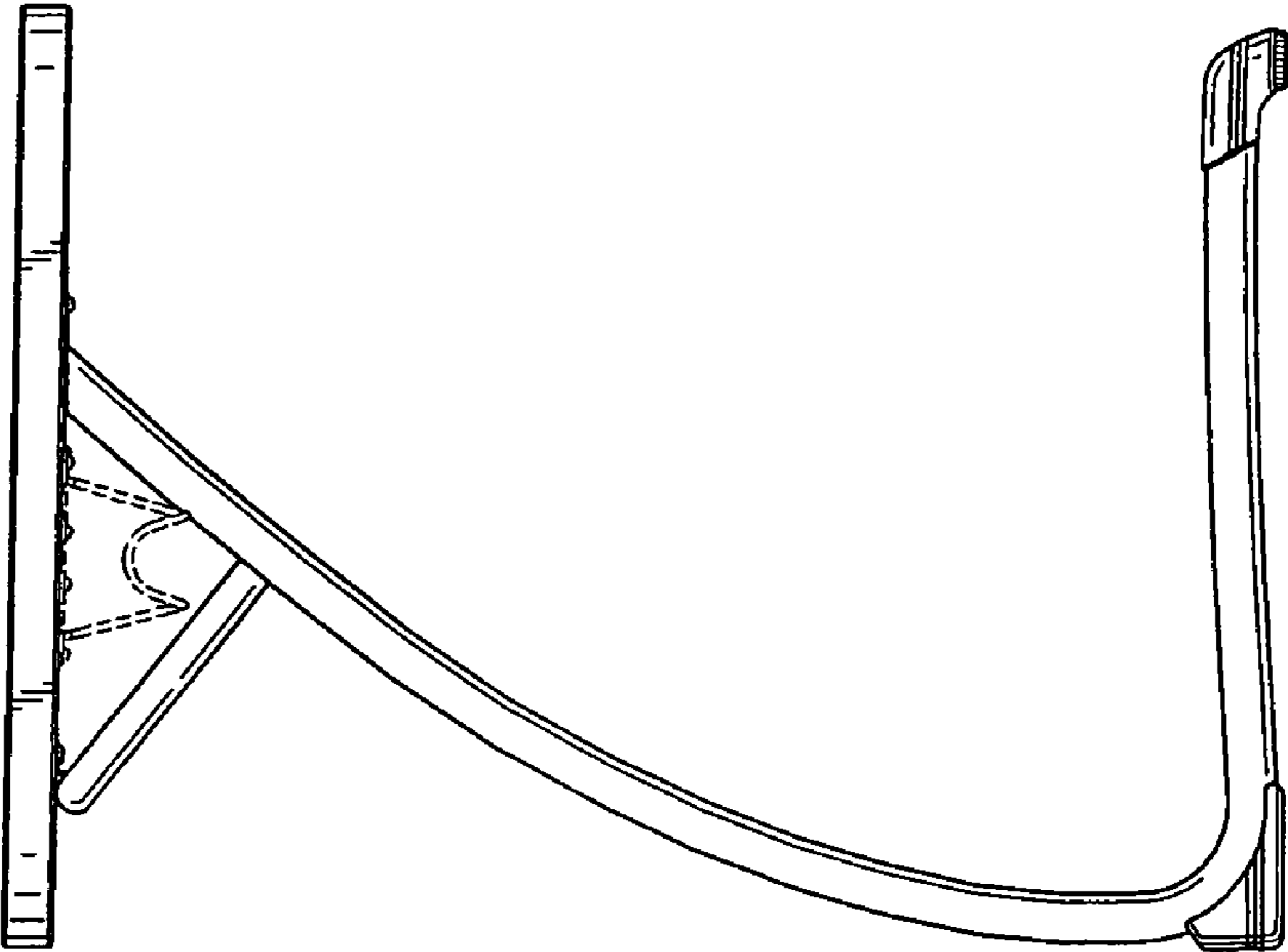


Fig. 5

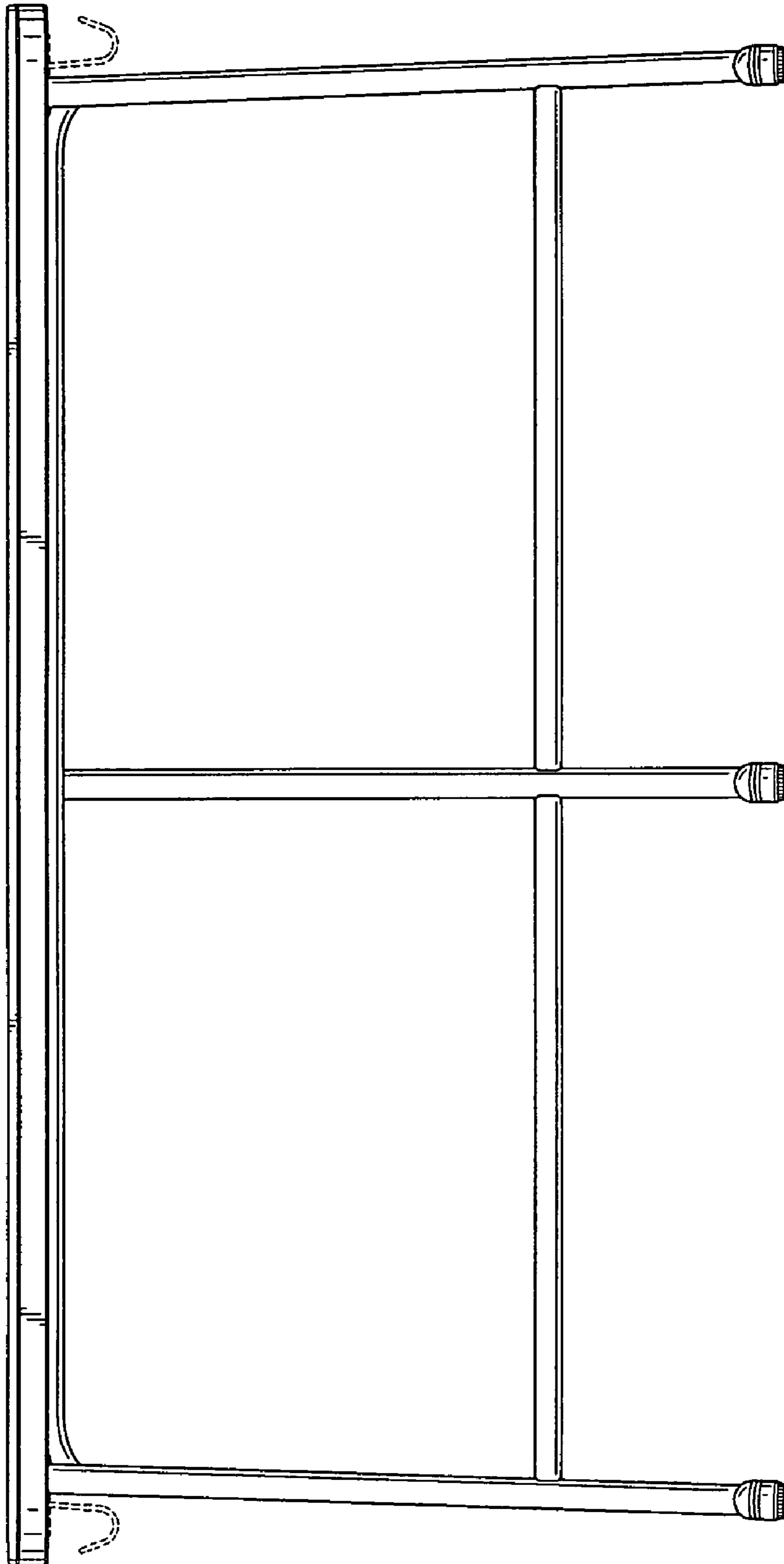


FIG. 6

