

US00D546096S

(12) **United States Design Patent**
Kreiss

(10) **Patent No.:** **US D546,096 S**

(45) **Date of Patent:** **** Jul. 10, 2007**

(54) **TABLE**

D476,175 S * 6/2003 Jackson D6/484
D526,851 S * 8/2006 Groff et al. D7/552.1

(75) Inventor: **Michael Kreiss**, San Diego, CA (US)

(73) Assignee: **Kreiss Enterprises, Inc.**, San Diego, CA (US)

(**) Term: **14 Years**

(21) Appl. No.: **29/241,919**

(22) Filed: **Nov. 3, 2005**

(51) **LOC (8) Cl.** **06-03**

(52) **U.S. Cl.** **D6/480; D6/429**

(58) **Field of Classification Search** D6/480-489,
D6/495-499, 511, 429-431; 108/150, 153.1,
108/155, 156, 161, 131, 115, 118, 119; 248/188,
248/188.1, 188.8, 164; D7/552.2, 554.3
See application file for complete search history.

(56) **References Cited**

U.S. PATENT DOCUMENTS

D89,412 S * 3/1933 Redlich D6/476
3,083,066 A * 3/1963 Bedol 108/119
3,646,895 A * 3/1972 Campbell 108/118
5,542,359 A * 8/1996 Polries 108/26
D445,604 S * 7/2001 Jeup D6/480

OTHER PUBLICATIONS

Ficks and Reed, p. 30, #8332 tray table at lower left.*
The Bombay Co., p. 24, #D Raffles Table bottom center.*

* cited by examiner

Primary Examiner—Janice E. Seeger

(74) *Attorney, Agent, or Firm*—Kleinberg & Lerner, LLP;
Marvin H. Kleinberg; Marshall A. Lerner

(57) **CLAIM**

The ornamental design for a table, as shown and described.

DESCRIPTION

FIG. 1 is a perspective view of the table of the present invention;

FIG. 2 is a front view of the table of FIG. 1;

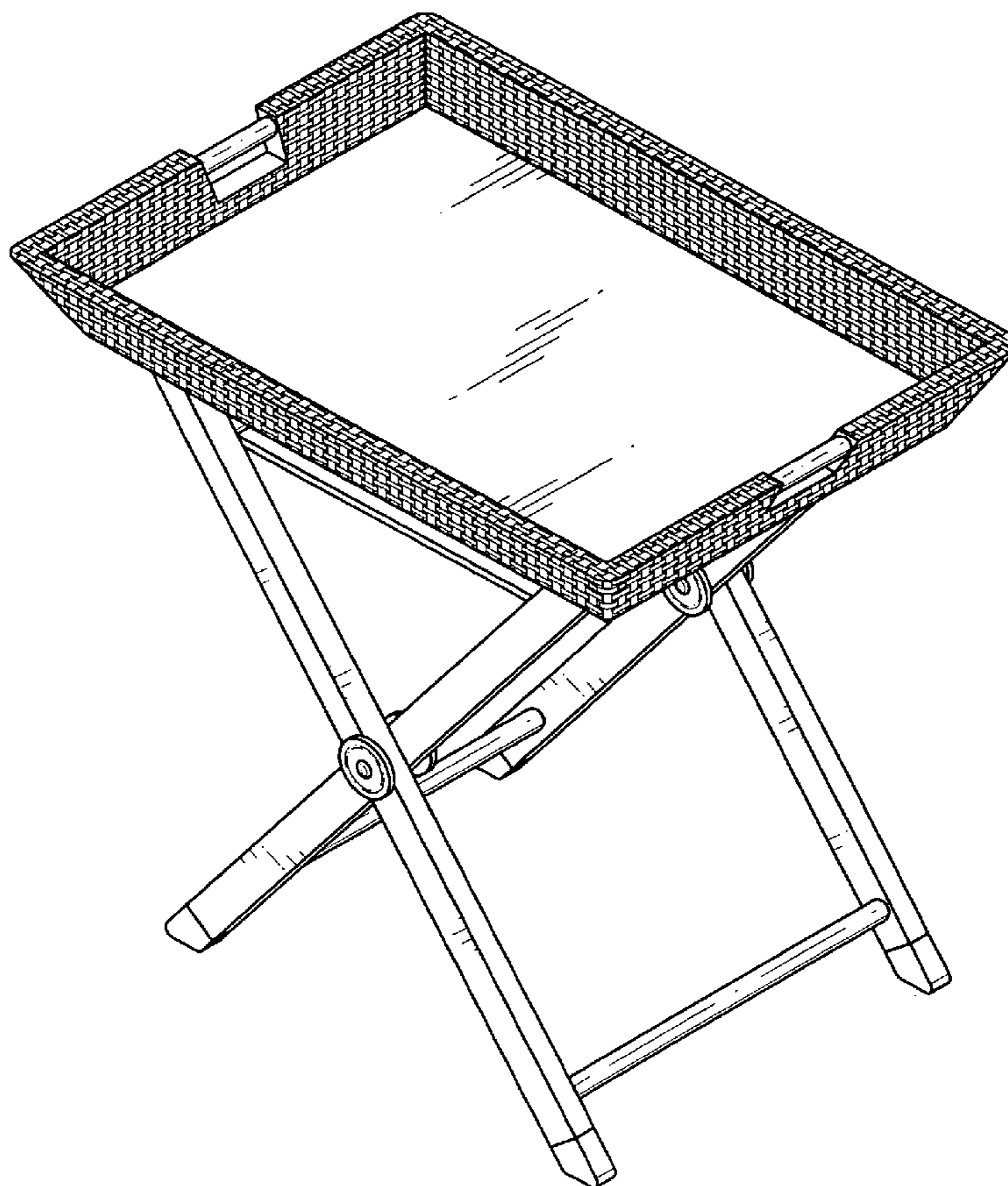
FIG. 3 is a side view of the table of FIG. 1;

FIG. 4 is a top view of the table of FIG. 1; and,

FIG. 5 is a bottom view of the table of FIG. 1.

The Table of the present invention is symmetrical and the left and right side views are identical.

1 Claim, 3 Drawing Sheets



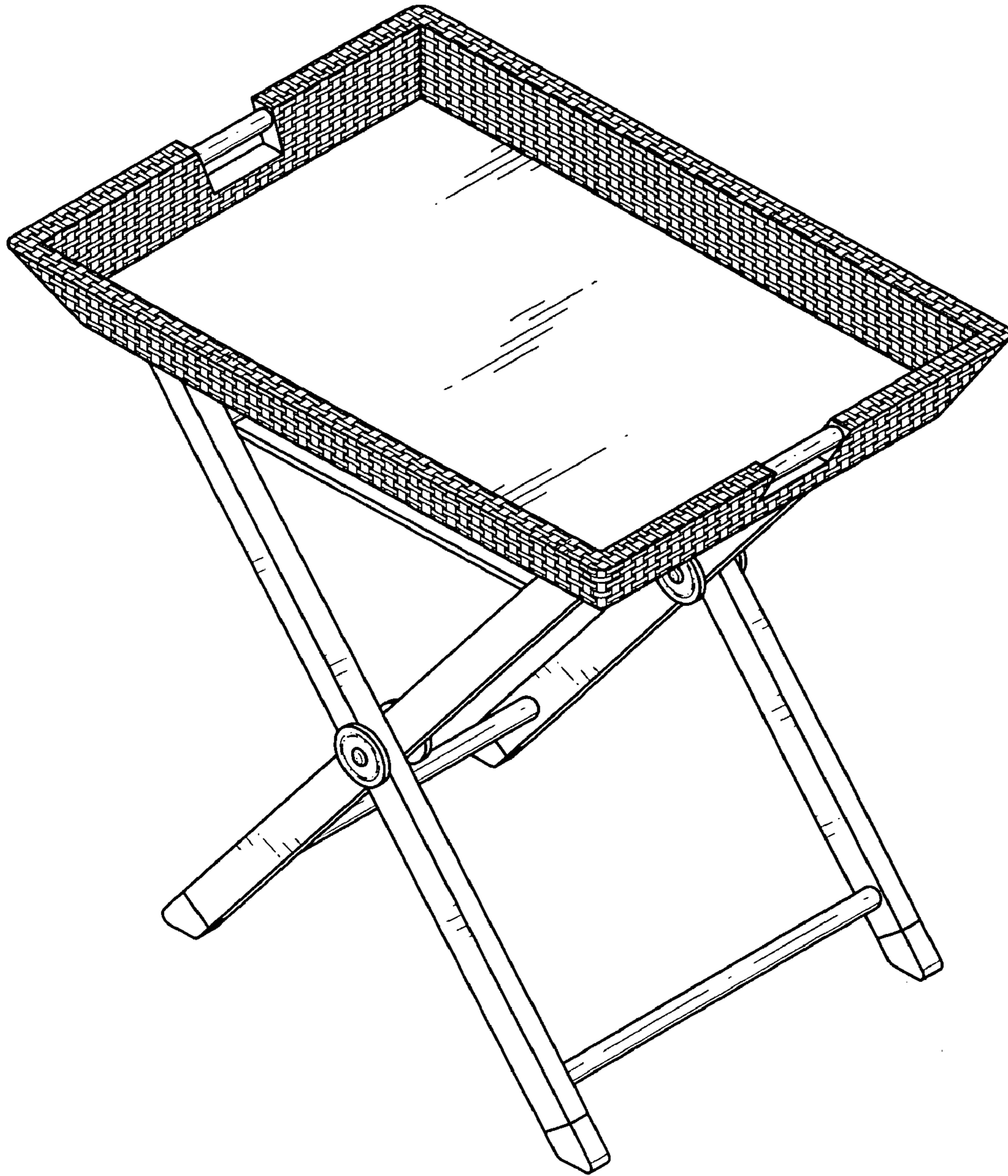


FIG. 1

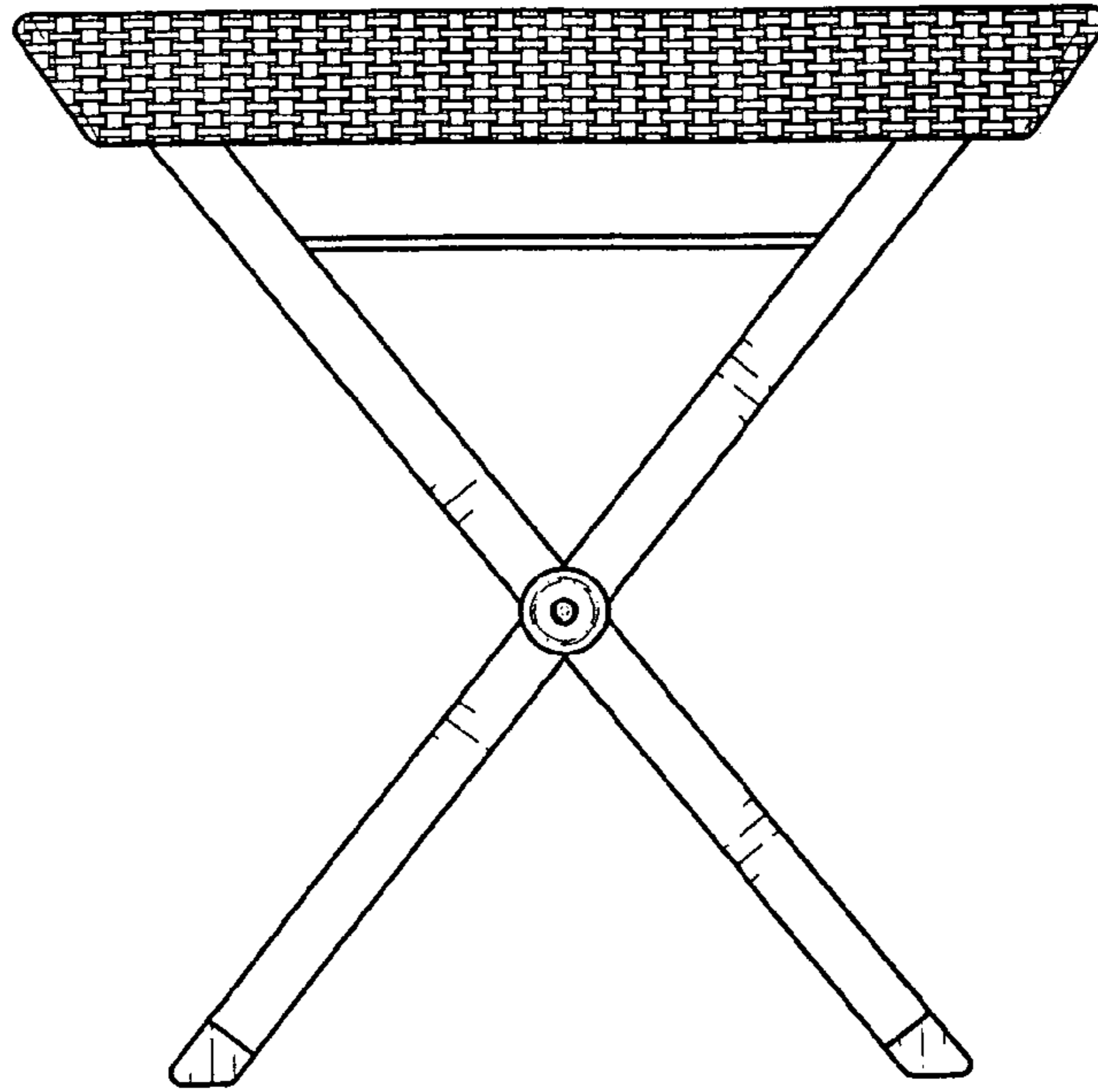


FIG. 2

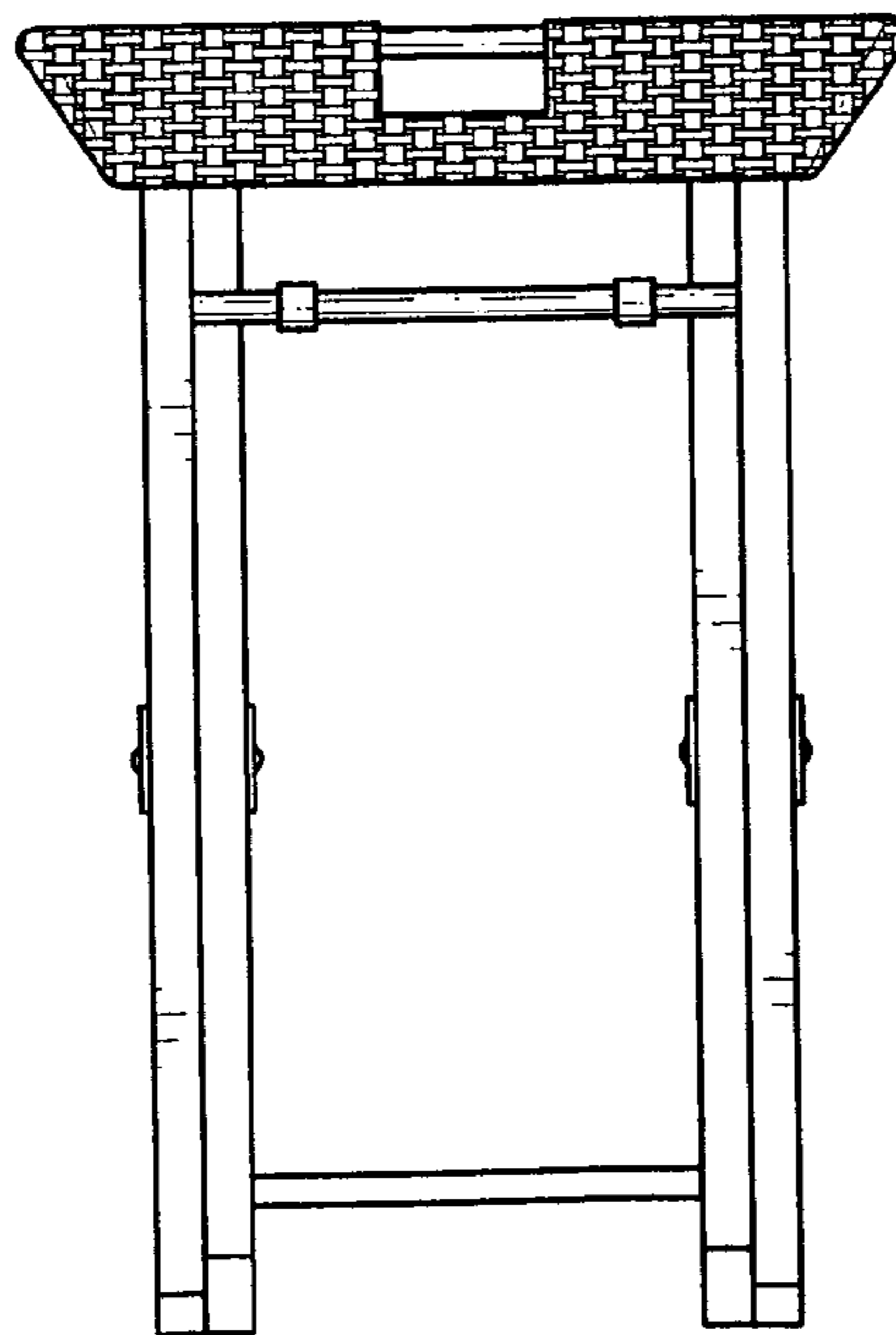


FIG. 3



FIG. 4

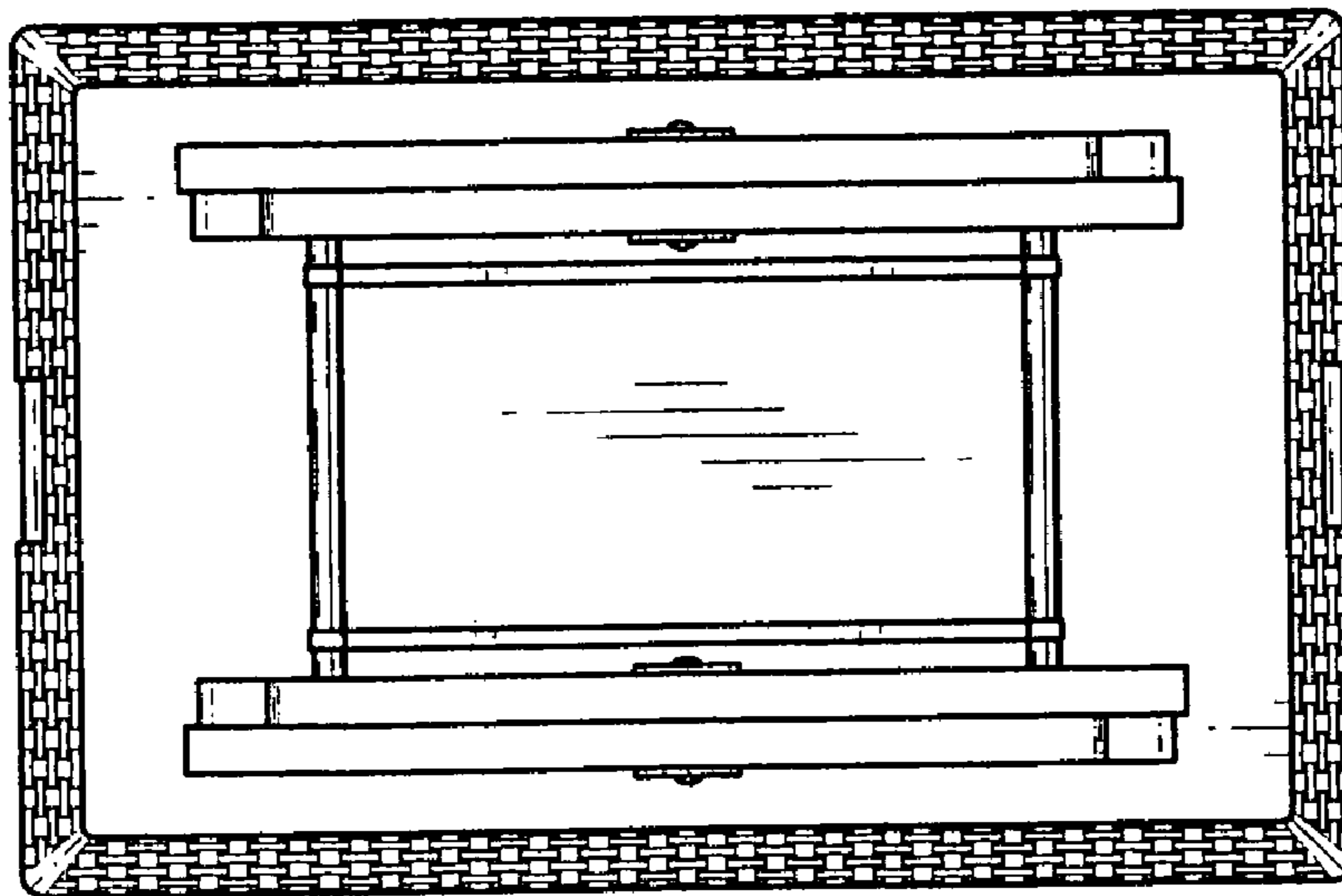


FIG. 5