

US00D546095S

(12) **United States Design Patent**
Sexton

(10) **Patent No.:** **US D546,095 S**

(45) **Date of Patent:** **** Jul. 10, 2007**

(54) **TV STAND**

(75) Inventor: **James S. Sexton**, San Ramon, CA (US)

(73) Assignee: **Z-Line Designs**, San Ramon, CA (US)

(**) Term: **14 Years**

(21) Appl. No.: **29/263,751**

(22) Filed: **Jul. 28, 2006**

(51) **LOC (8) Cl.** **06-04**

(52) **U.S. Cl.** **D6/477**

(58) **Field of Classification Search** D6/477-479,
D6/474, 407, 436; D34/21; 108/59, 64,
108/91-93, 107, 149-151; 211/42-43, 49.1,
211/207, 85.26, 134, 153, 187-190

See application file for complete search history.

(56) **References Cited**

U.S. PATENT DOCUMENTS

D491,750 S *	6/2004	Bertoncini	D6/474
D492,513 S *	7/2004	Wicha	D6/479
D497,061 S *	10/2004	Decarolis	D6/479
D501,740 S *	2/2005	Sexton	D6/477
D505,573 S *	5/2005	Malizia	D6/474
D516,840 S *	3/2006	deCarolis	D6/477
D521,776 S *	5/2006	Moyle et al.	D6/479

* cited by examiner

Primary Examiner—Cathron C. Brooks

Assistant Examiner—Kelley A. Donnelly

(74) *Attorney, Agent, or Firm*—Townsend and Townsend and Crew LLP

(57) **CLAIM**

The ornamental design for a TV stand, as shown and described.

DESCRIPTION

FIG. 1 is a perspective view of a TV stand showing my new design;

FIG. 2 is a top plan view thereof;

FIG. 3 is a front elevational view thereof;

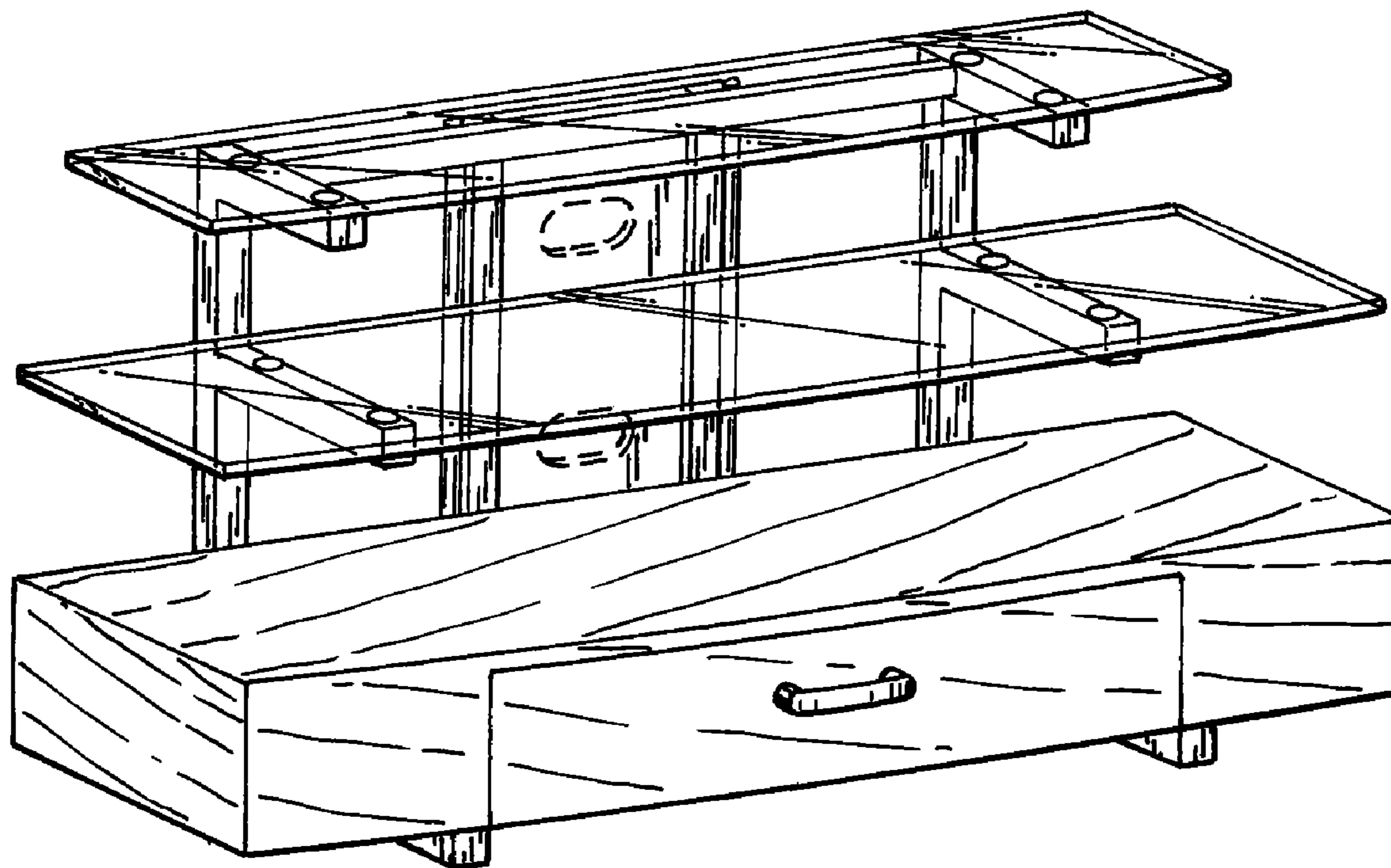
FIG. 4 is a right side elevational view thereof;

FIG. 5 is a left side elevational view thereof; and,

FIG. 6 is a rear elevational view thereof.

The phantom lines indicate the outline of cut outs in the back panel of the TV stand of the present invention; namely of that portion of the TV stand which does not form part of the design.

1 Claim, 2 Drawing Sheets



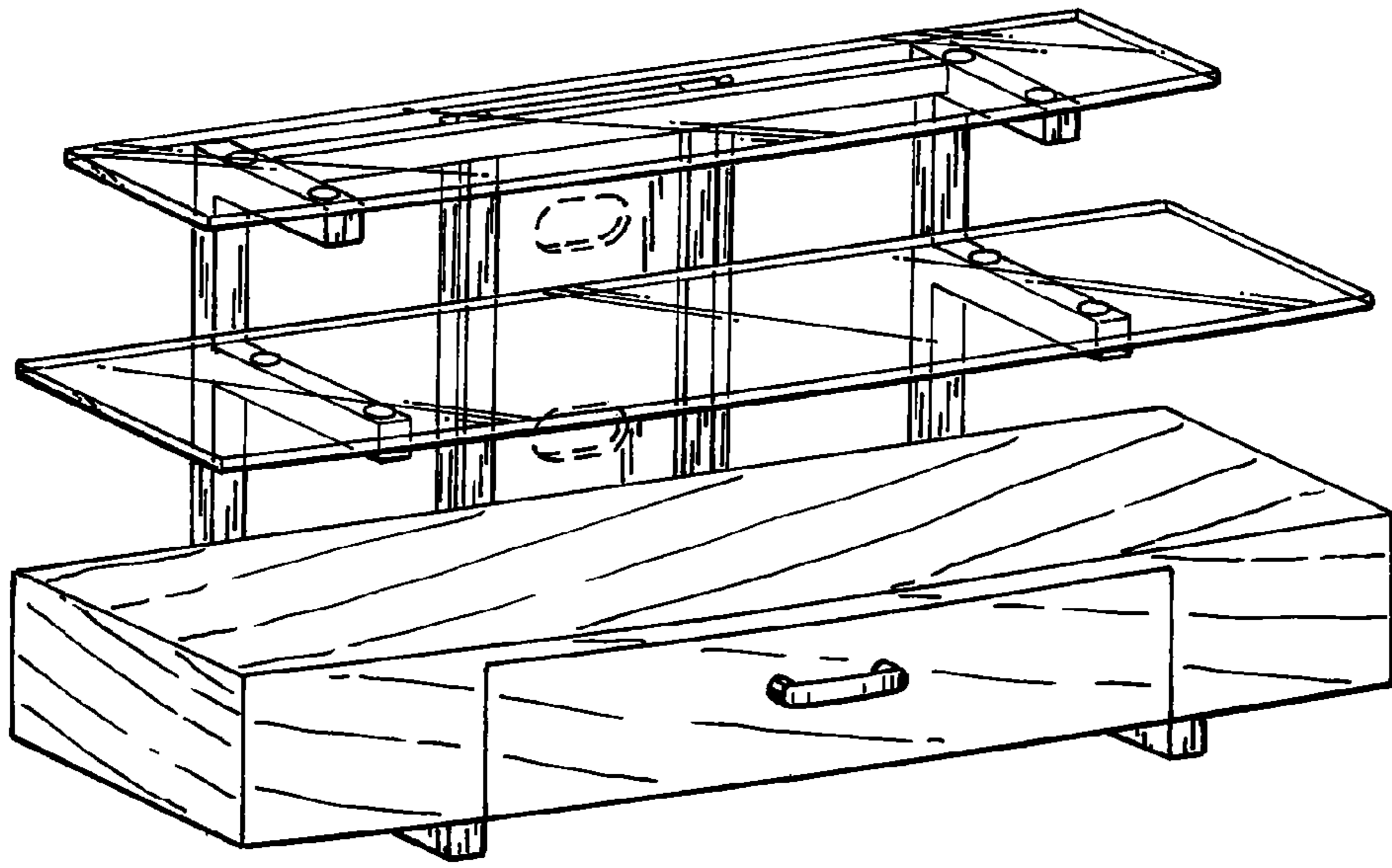


FIG. 1

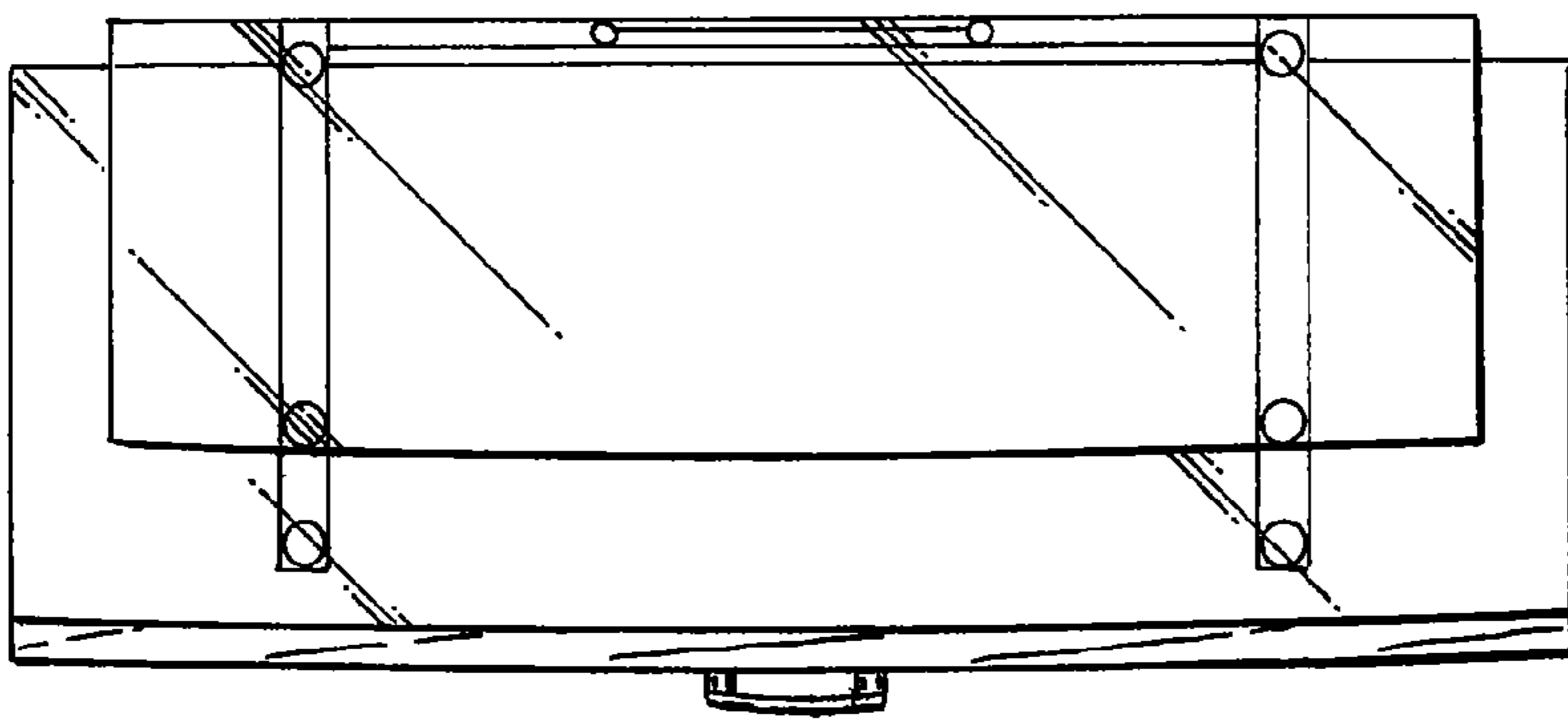


FIG. 2

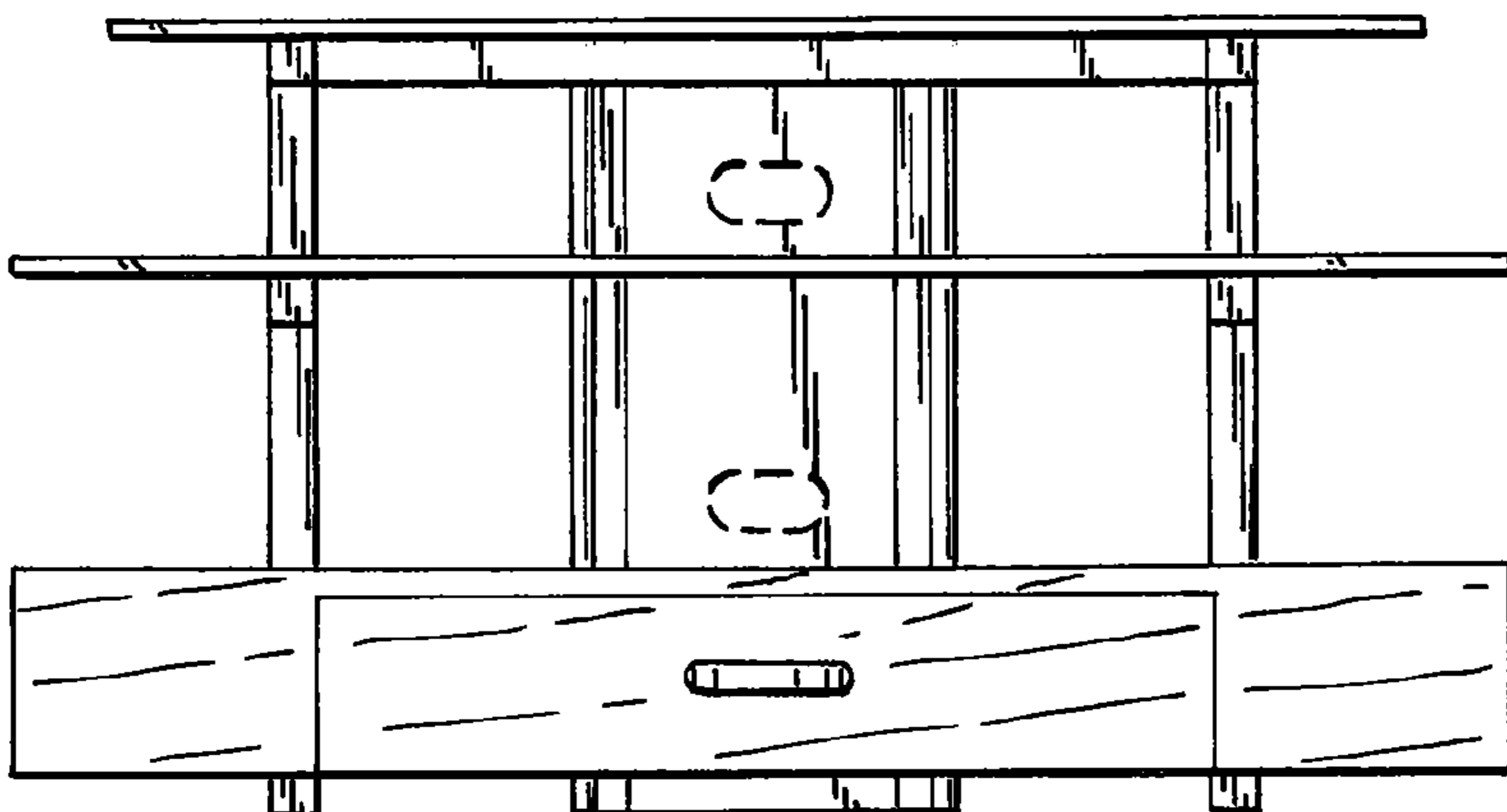


FIG. 3

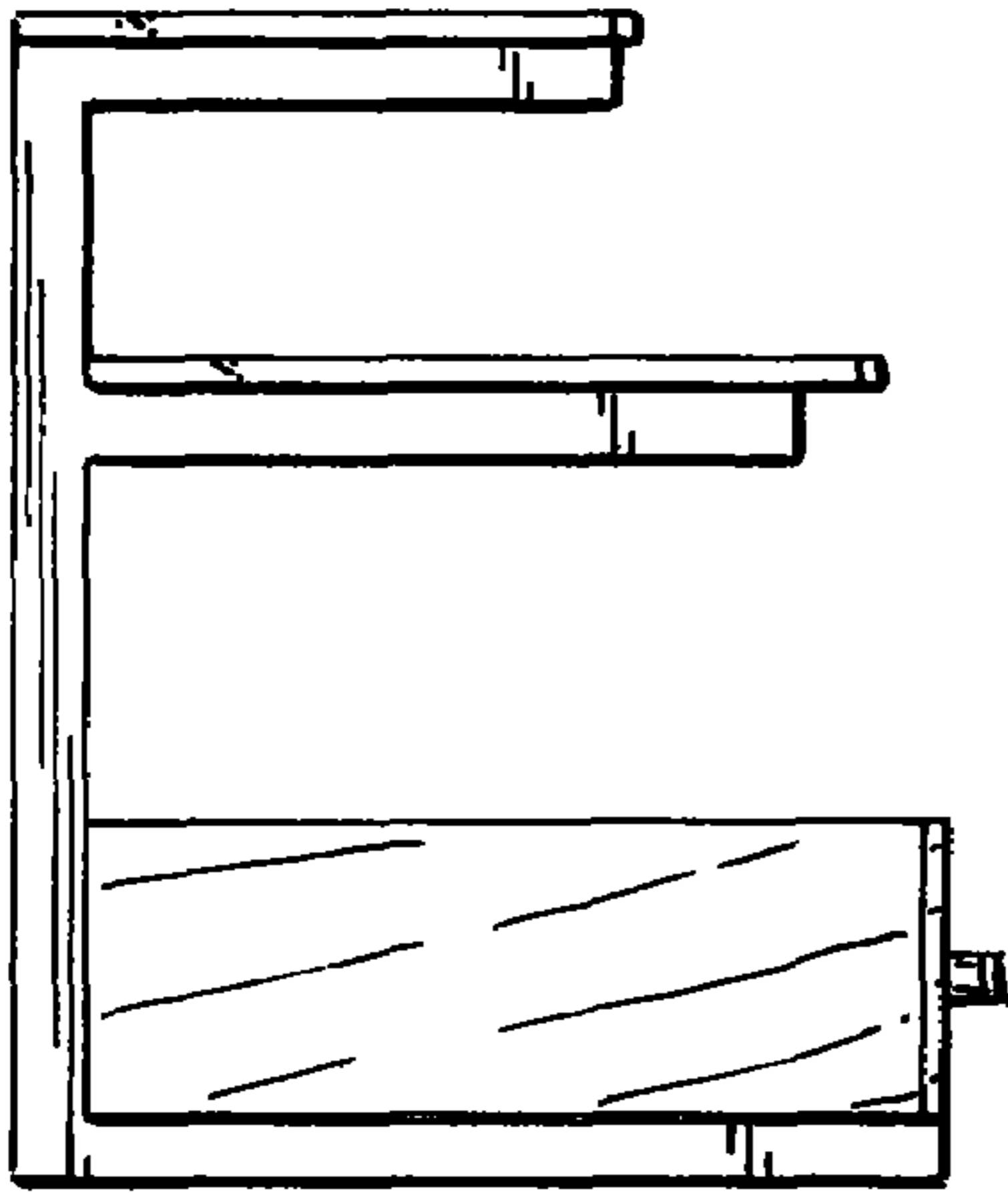


FIG. 4

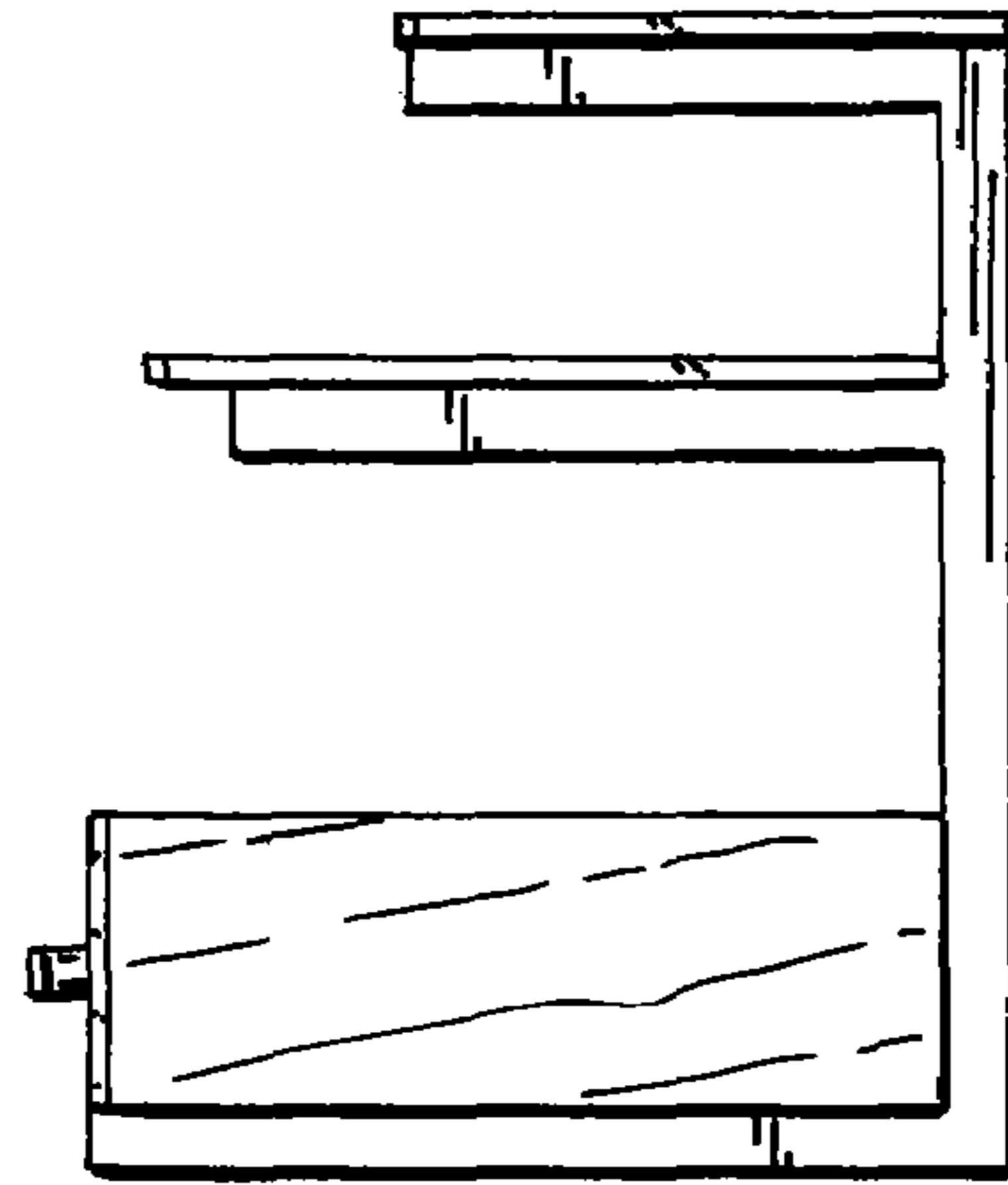


FIG. 5



FIG. 6