

US00D546089S

(12) **United States Design Patent**
Ebenestelli

(10) **Patent No.:** **US D546,089 S**

(45) **Date of Patent:** **** Jul. 10, 2007**

(54) **SEAT**

D441,976 S * 5/2001 Cramer D6/380
D498,071 S * 11/2004 Ashby et al. D6/374

(75) Inventor: **Aldo Ebenestelli**, Vestone (IT)

* cited by examiner

(73) Assignee: **Ivars S.p.A.** (IT)

Primary Examiner—Mimosa De

(**) Term: **14 Years**

(74) *Attorney, Agent, or Firm*—McGlew & Tuttle, PC

(21) Appl. No.: **29/255,487**

(57) **CLAIM**

(22) Filed: **Mar. 8, 2006**

The ornamental design of a seat, as shown and described.

(51) **LOC (8) Cl.** **06-01**

DESCRIPTION

(52) **U.S. Cl.** **D6/379; D6/374; D6/380**

(58) **Field of Classification Search** D6/334–336,
D6/371–373, 374, 375, 376, 379, 380, 500–502;
297/239, 411.41, 411.42, 445.1, 446.1

FIG. 1 is a perspective view of a seat showing my new design;

FIG. 2 is a front elevational view thereof;

FIG. 3 is a left side view thereof;

FIG. 4 is a right side view thereof;

FIG. 5 is a rear elevational view thereof;

FIG. 6 is a top plan view thereof; and,

FIG. 7 is a bottom plan view thereof.

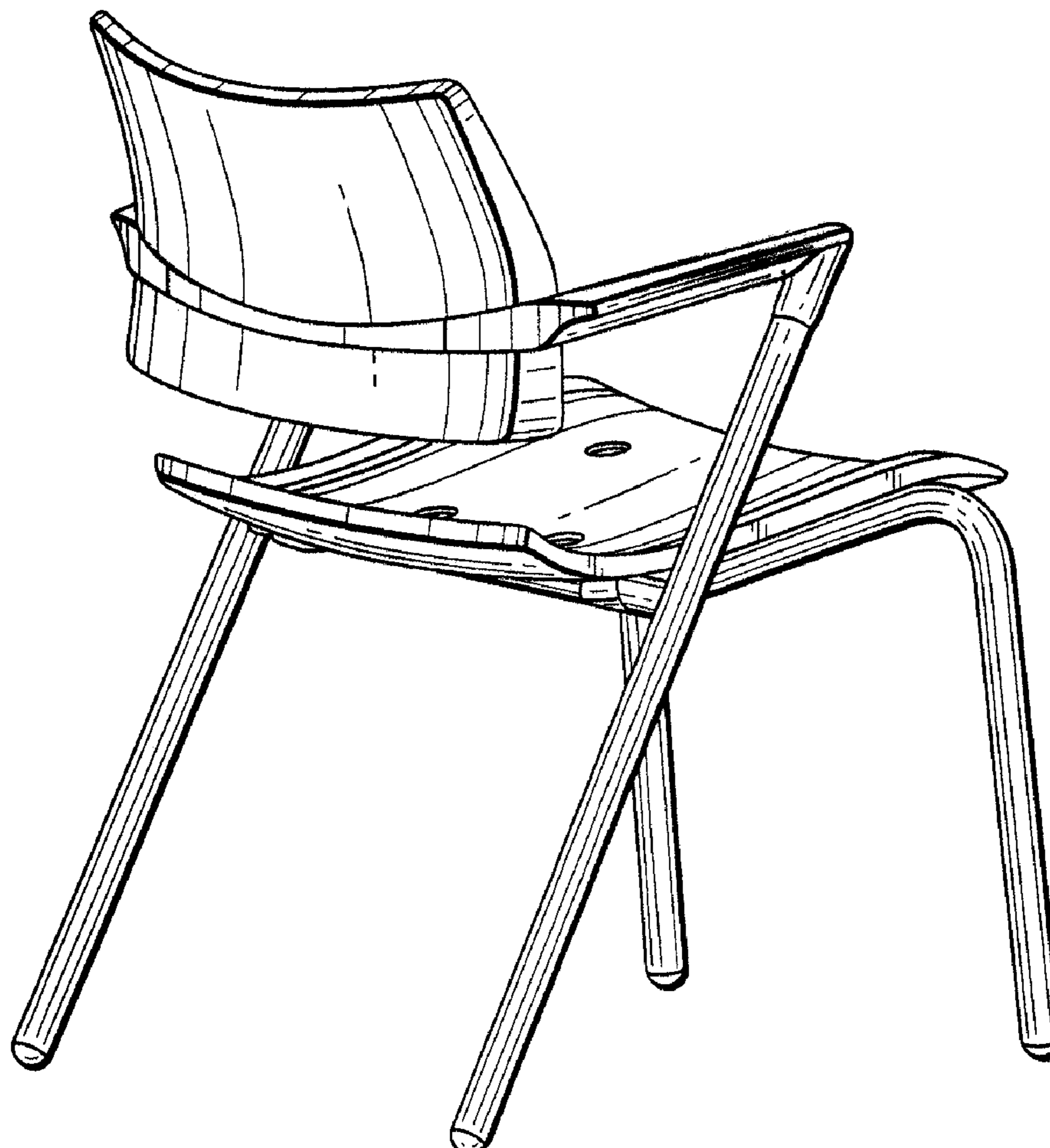
See application file for complete search history.

(56) **References Cited**

U.S. PATENT DOCUMENTS

D150,339 S * 7/1948 Cunningham D6/374
D181,241 S * 10/1957 Swanson D6/374
D186,658 S * 11/1959 Spilman D6/374
D234,653 S * 4/1975 Morishita D6/375

1 Claim, 4 Drawing Sheets



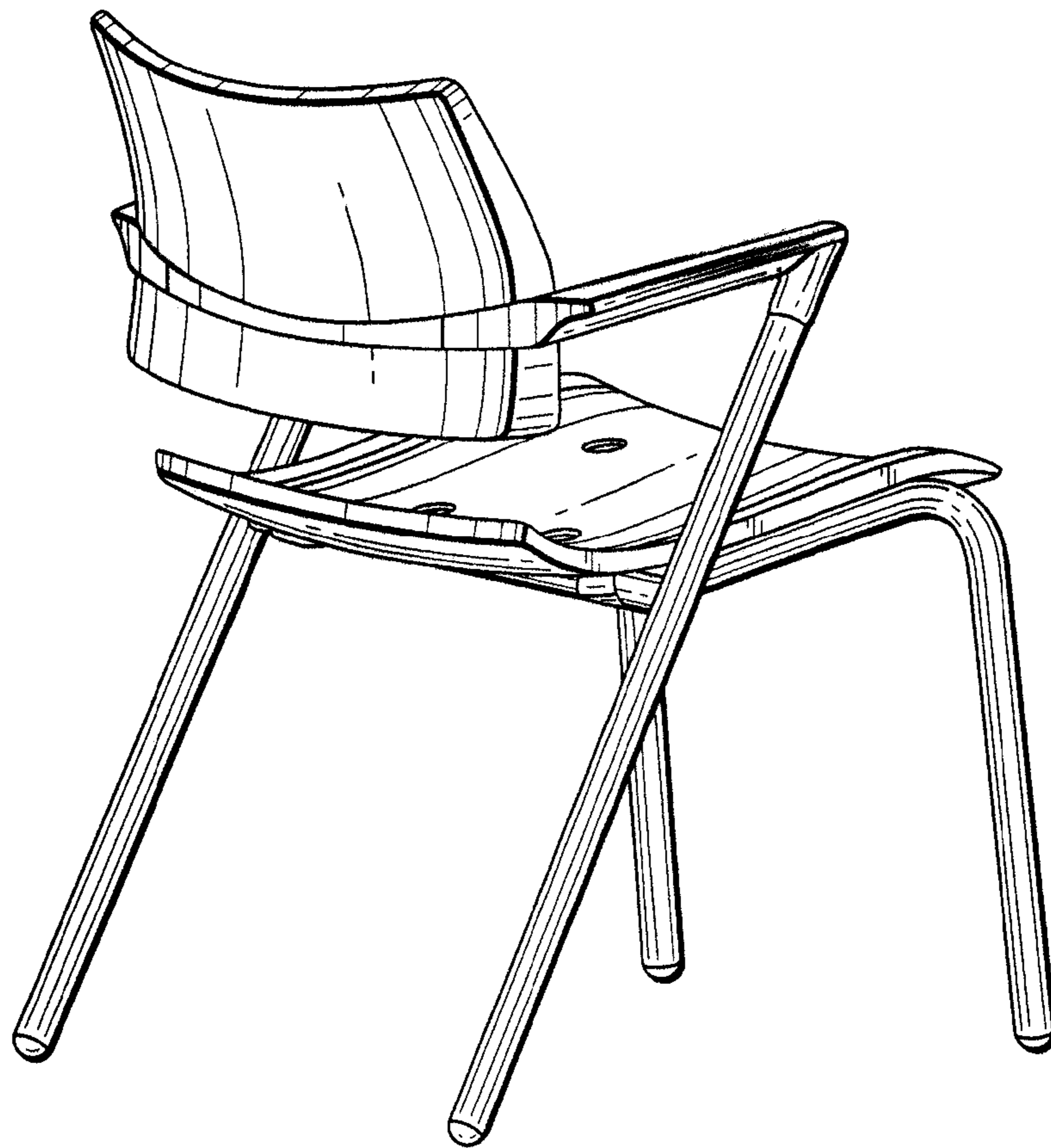


FIG. 1

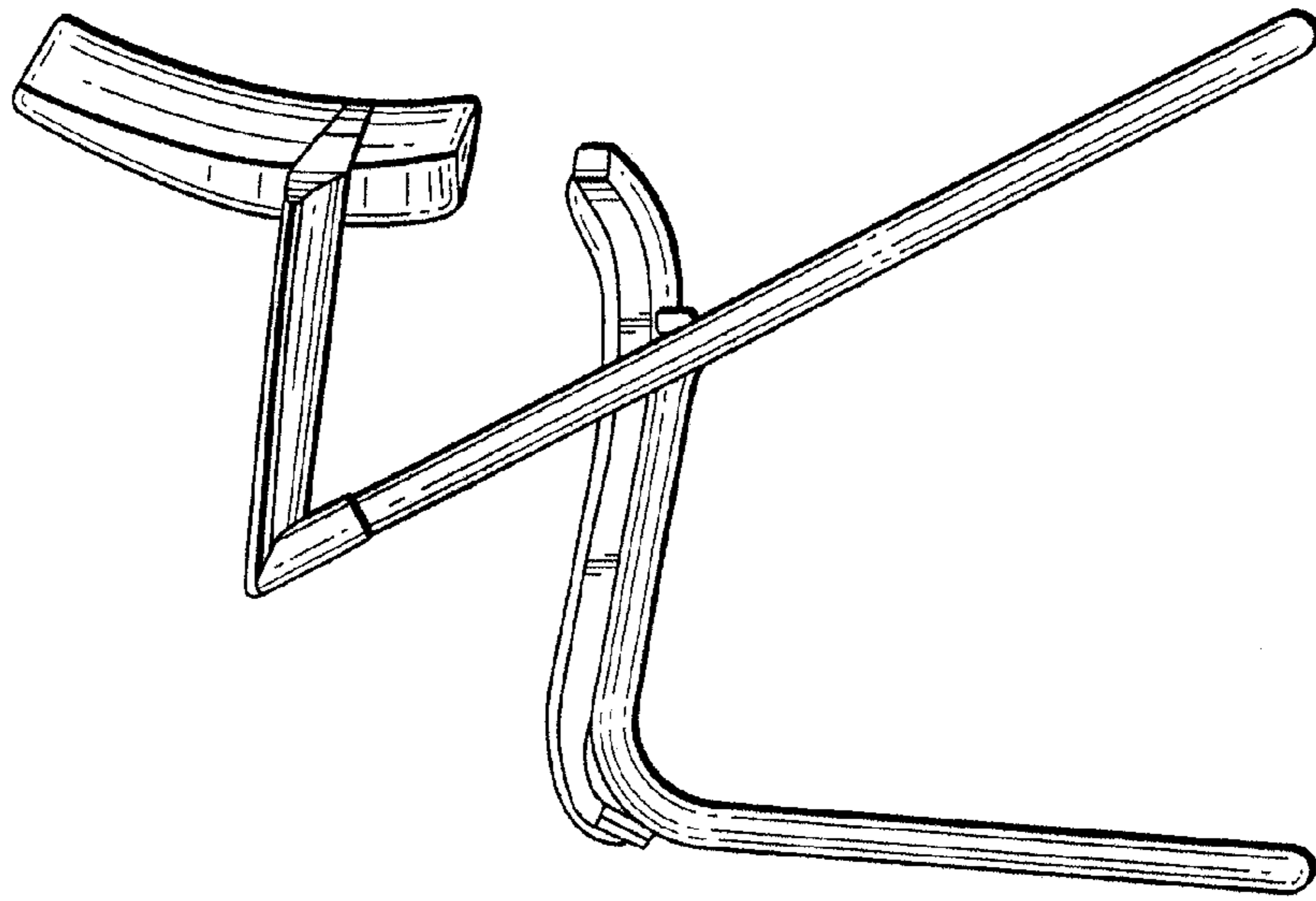


FIG. 3

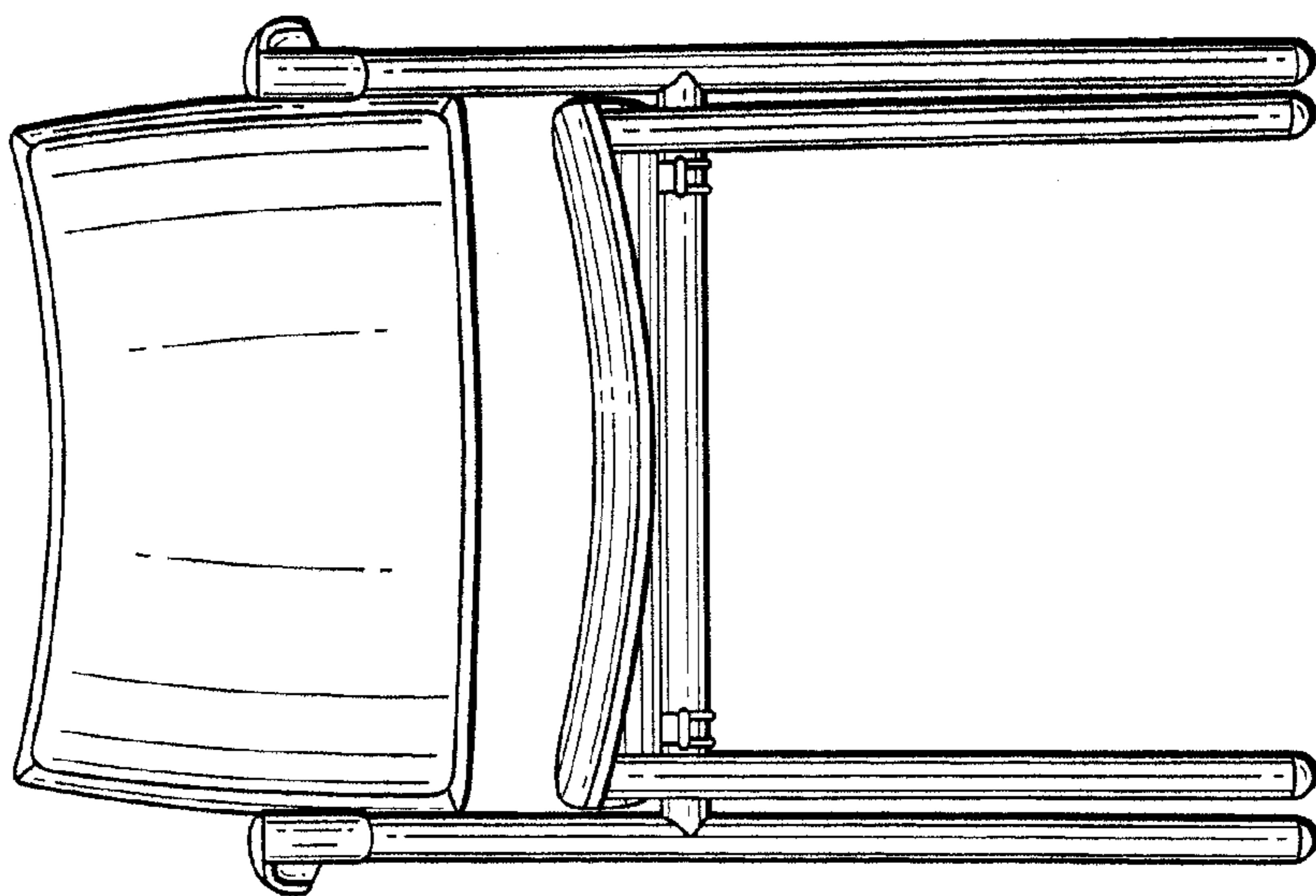


FIG. 2

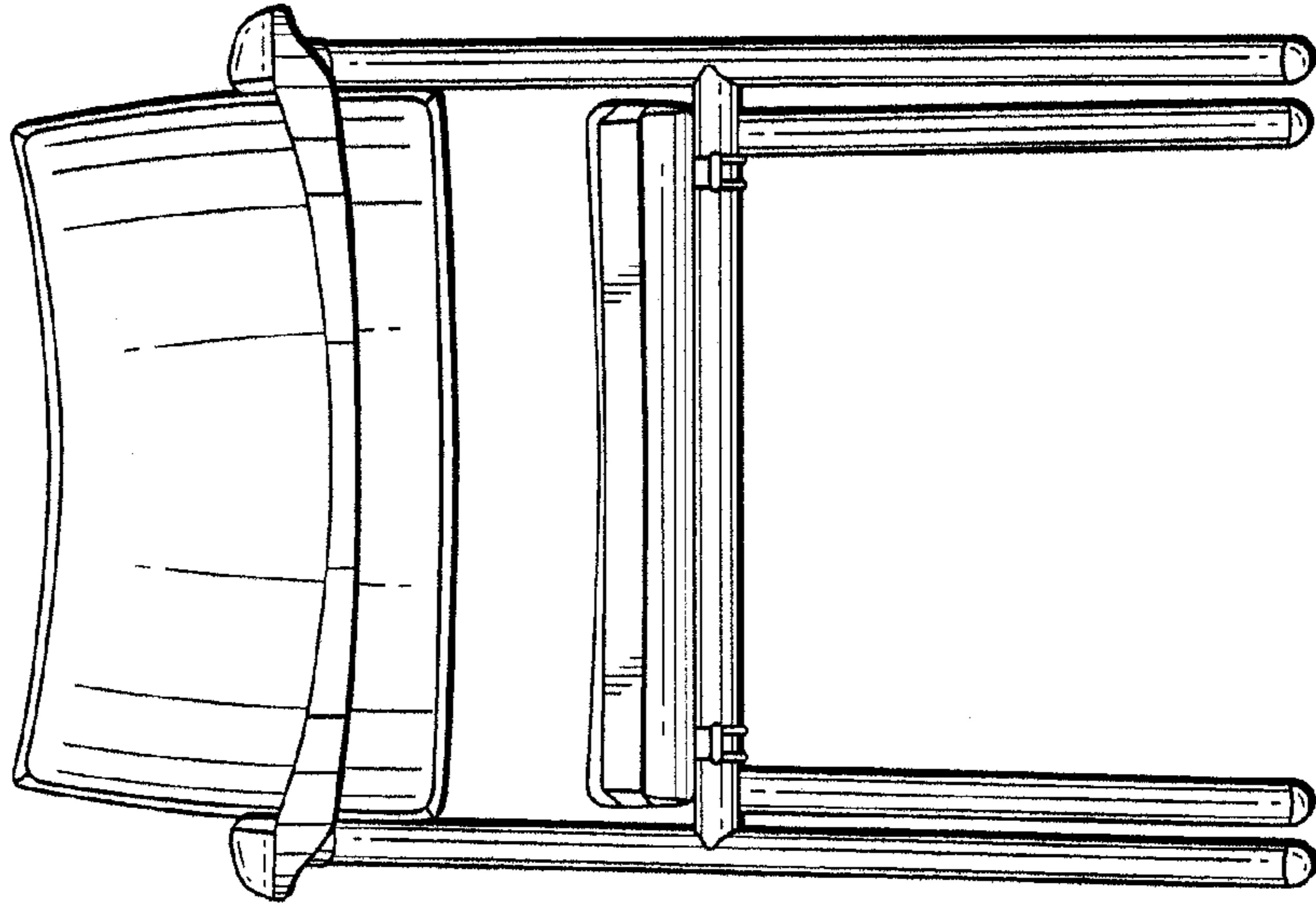


FIG. 5

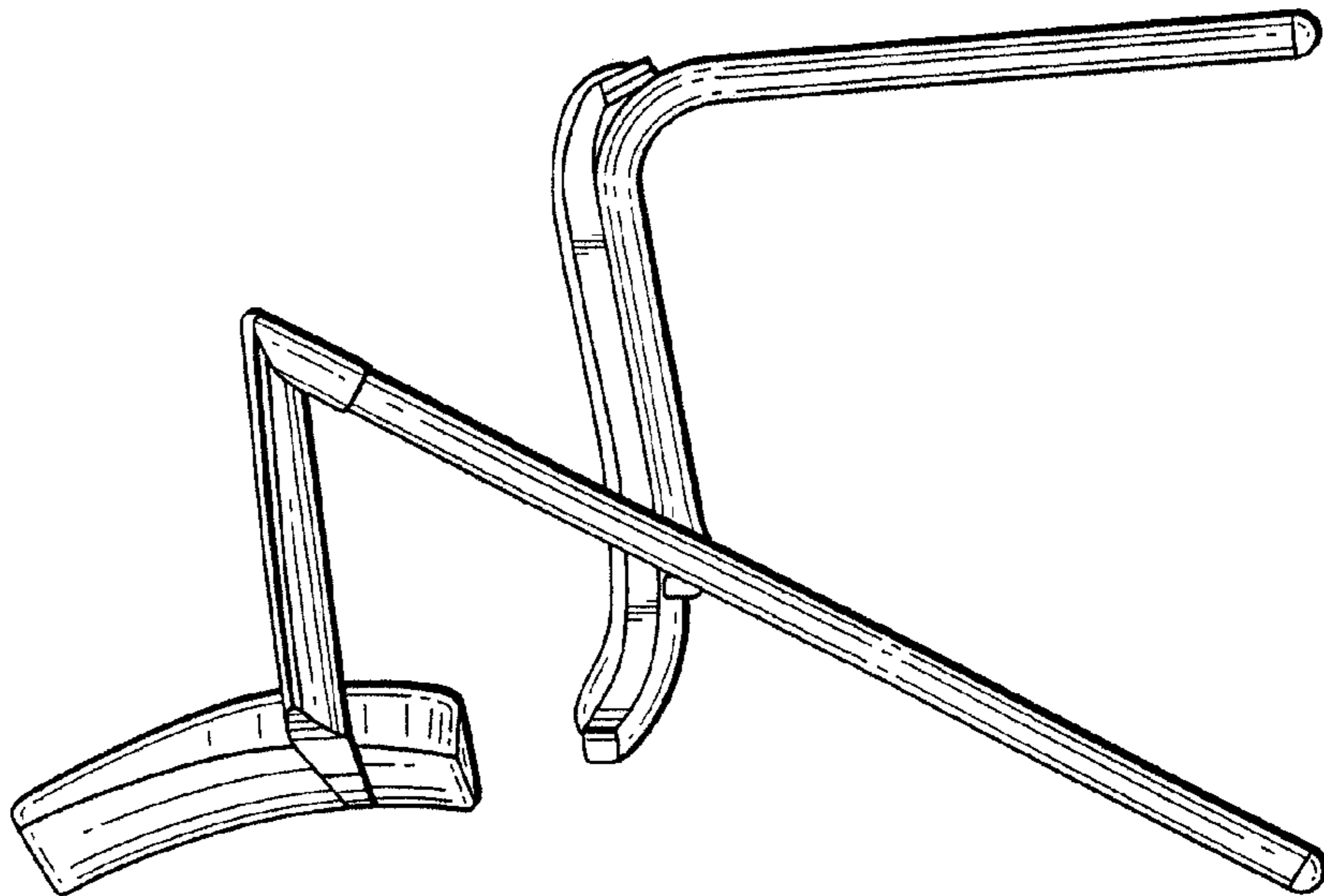


FIG. 4

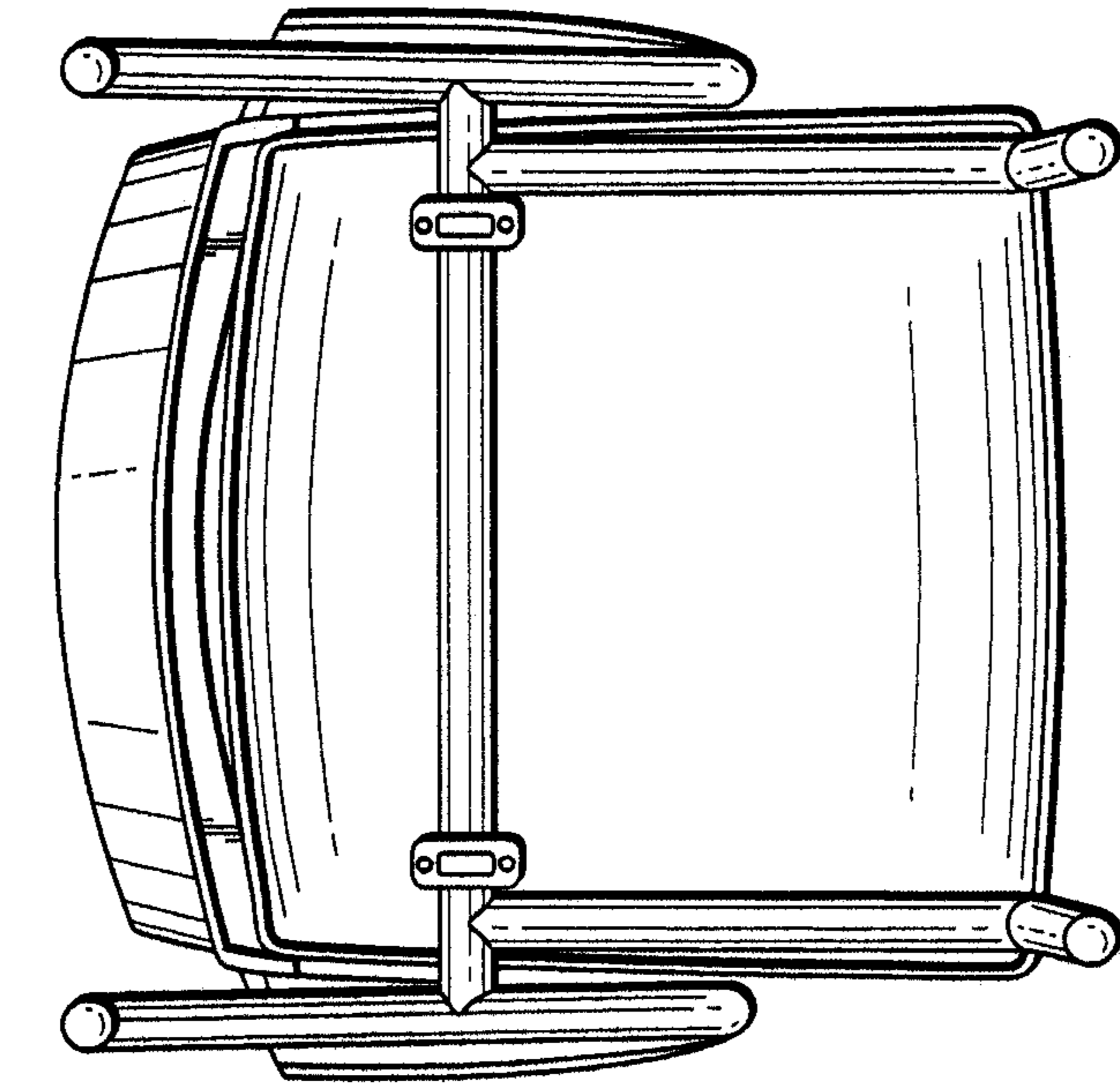


FIG. 7

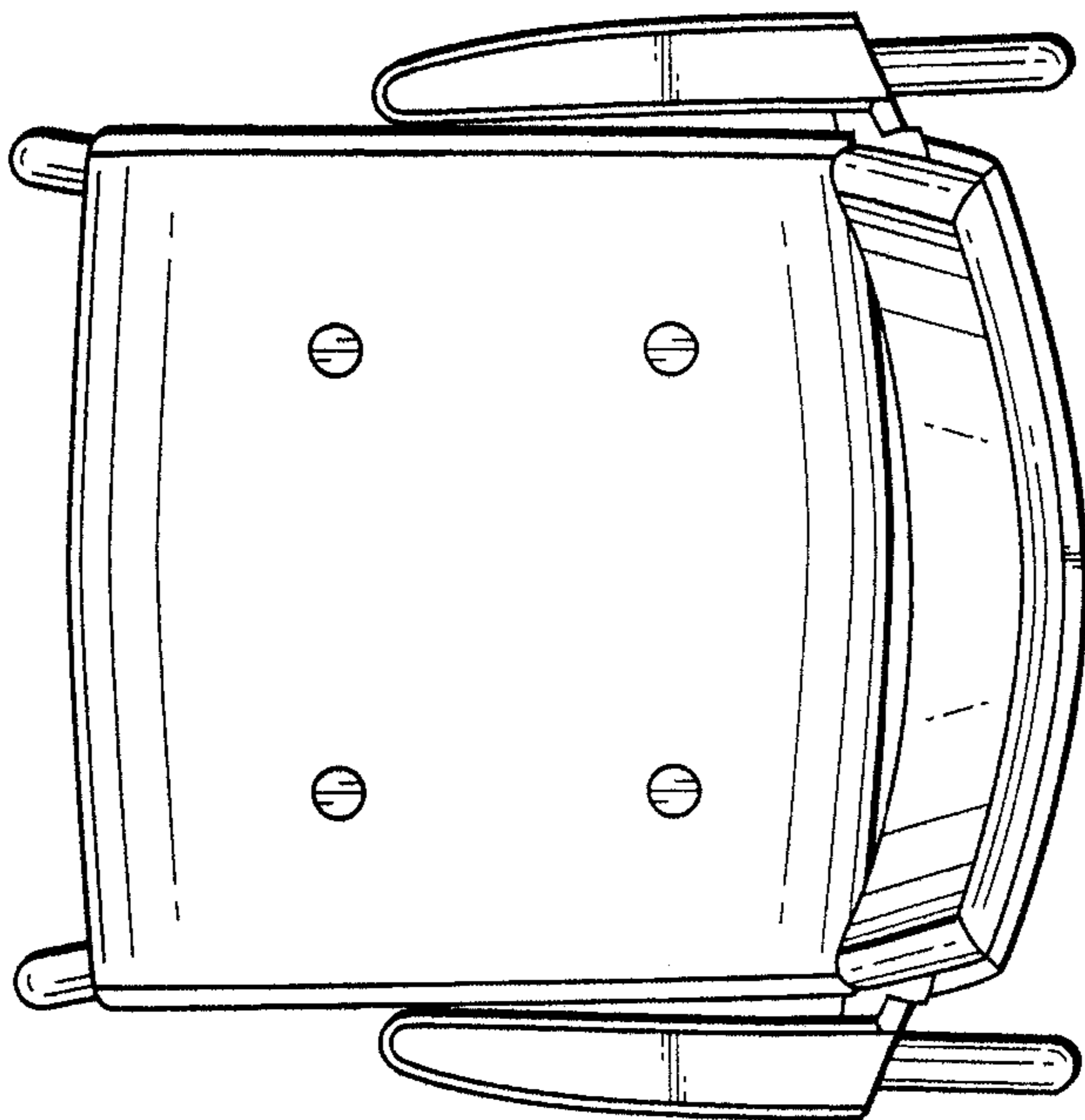


FIG. 6