

US00D546084S

(12) **United States Design Patent**
Lenardi

(10) **Patent No.:** **US D546,084 S**
(45) **Date of Patent:** **** Jul. 10, 2007**

(54) **BASEBALL CHAIR**

(76) Inventor: **Thomas M. Lenardi**, 11632 Avenue N,
Chicago, IL (US) 60617

(**) Term: **14 Years**

(21) Appl. No.: **29/249,923**

(22) Filed: **Oct. 26, 2006**

(51) **LOC (8) Cl.** **06-01**

(52) **U.S. Cl.** **D6/358**

(58) **Field of Classification Search** D6/334-336,
D6/351, 358, 359, 360, 370, 374, 375, 379,
D6/380, 388, 450, 500-502; 297/181, 445.1,
297/447.4

See application file for complete search history.

(56) **References Cited**

U.S. PATENT DOCUMENTS

117,012 A	7/1871	Stockton	
583,385 A	5/1897	Mayers	
1,250,061 A	12/1917	Wendell	
D80,737 S	3/1930	Lehman	
D87,264 S	6/1932	Levine	
2,132,482 A	10/1938	Klaiber	
D120,222 S *	4/1940	Harman	D6/358
4,183,154 A	1/1980	Dykes	
D287,672 S	1/1987	Holl	
D309,681 S *	8/1990	Solomon et al.	D6/351
D309,683 S *	8/1990	Solomon et al.	D6/450
D384,830 S *	10/1997	Daniel	D6/388

D387,916 S	12/1997	Saban	
D424,823 S *	5/2000	Taylor et al.	D6/358
D426,082 S *	6/2000	Fehlig et al.	D6/351
D434,917 S *	12/2000	Yang	D6/358
D481,212 S	10/2003	Lenardi	
D482,883 S	12/2003	Lenardi	
D507,706 S *	7/2005	Lo	D6/358

* cited by examiner

Primary Examiner—Mimosa De

(74) *Attorney, Agent, or Firm*—Michael Best & Friedrich LLP

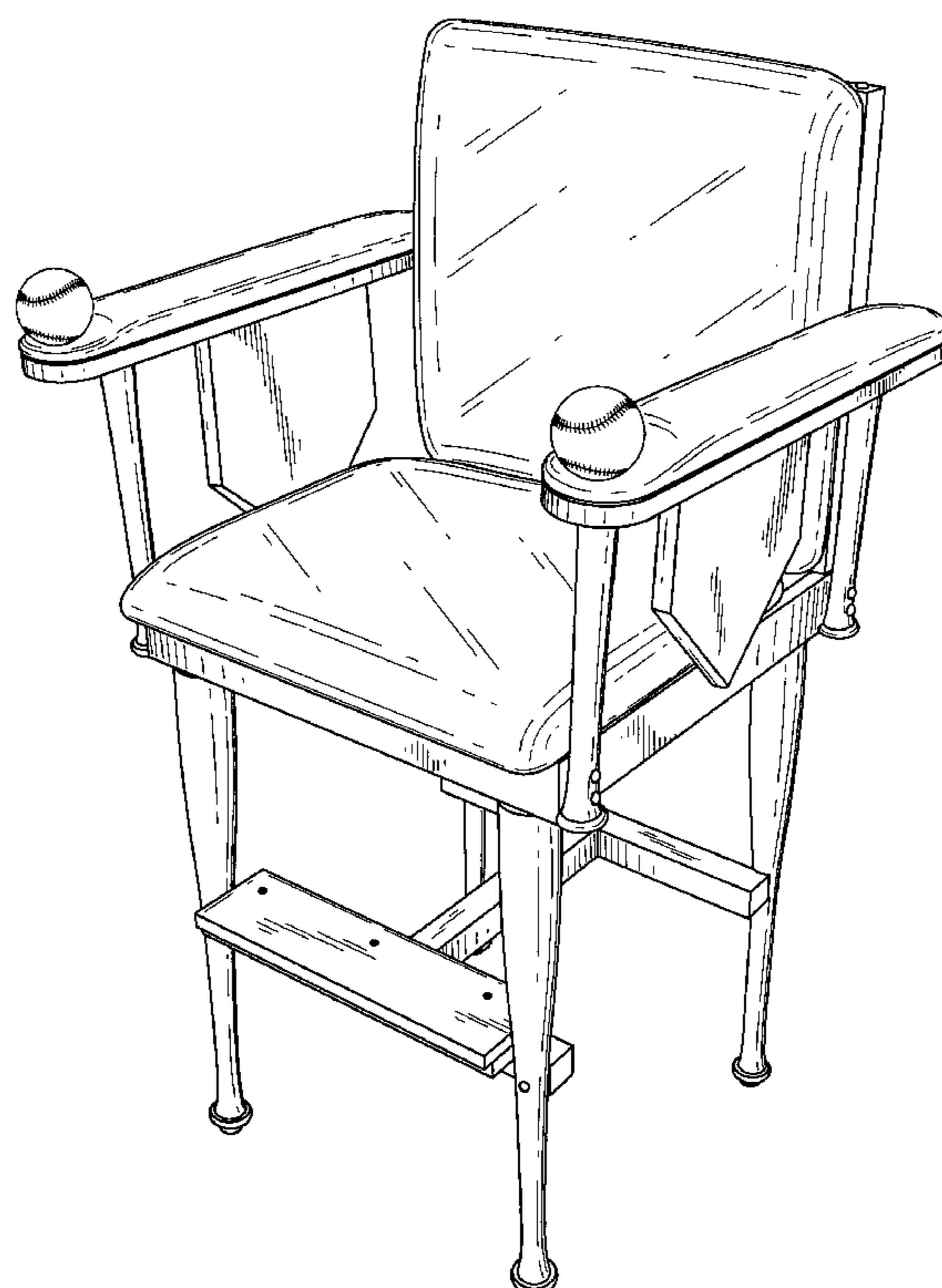
(57) **CLAIM**

The ornamental design for a baseball chair, as shown.

DESCRIPTION

FIG. 1 is a perspective view of the baseball chair;
 FIG. 2 is a front elevation view of the baseball chair of FIG. 1;
 FIG. 3 is a back elevation view of the baseball chair of FIG. 1;
 FIG. 4 is a right side elevation view of baseball chair of FIG. 1;
 FIG. 5 is a left side elevation view of baseball chair of FIG. 1;
 FIG. 6 is a top plan view of the baseball chair of FIG. 1; and,
 FIG. 7 is a bottom plan view of baseball chair of FIG. 1.

1 Claim, 6 Drawing Sheets



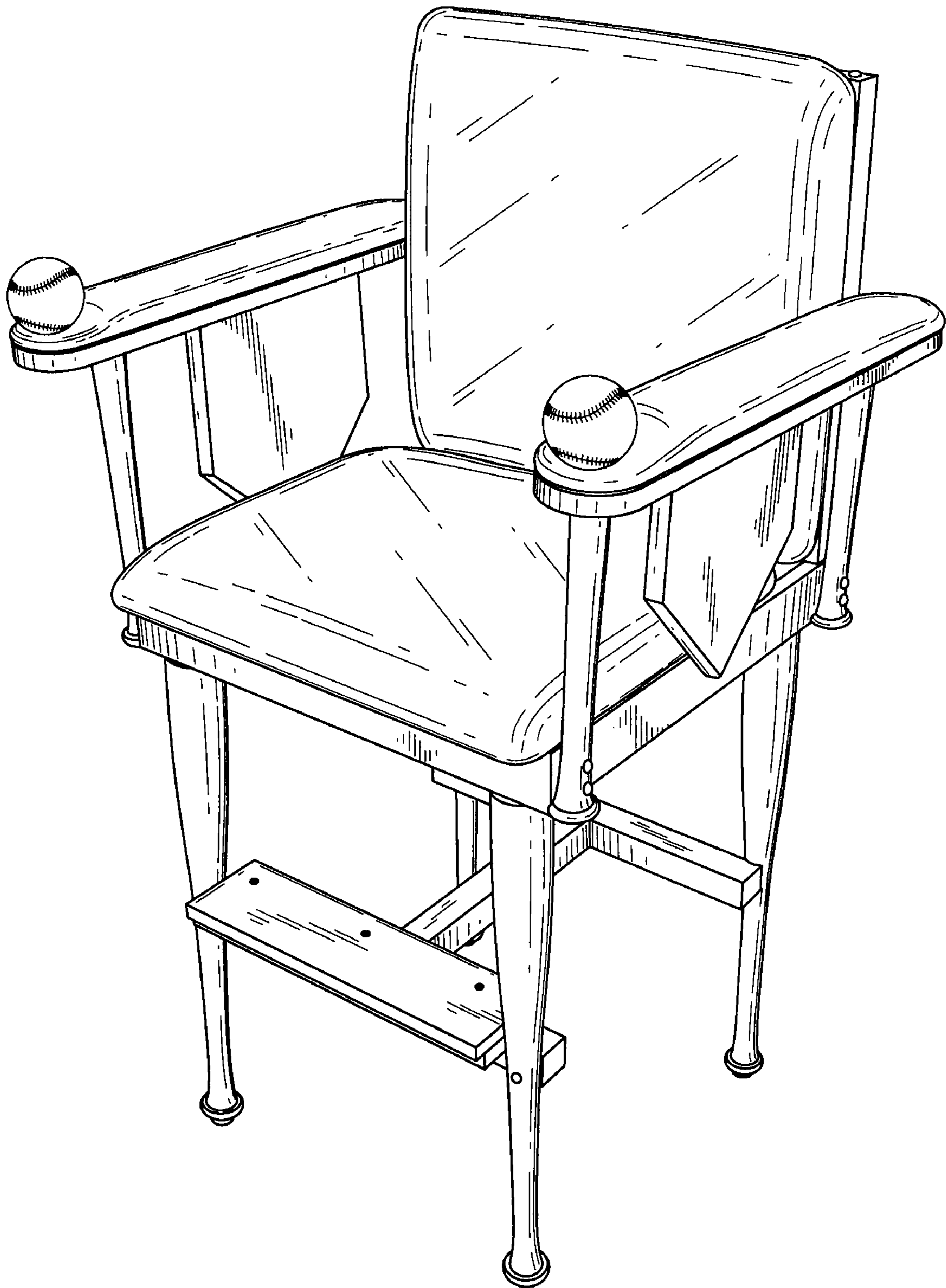


FIG. 1

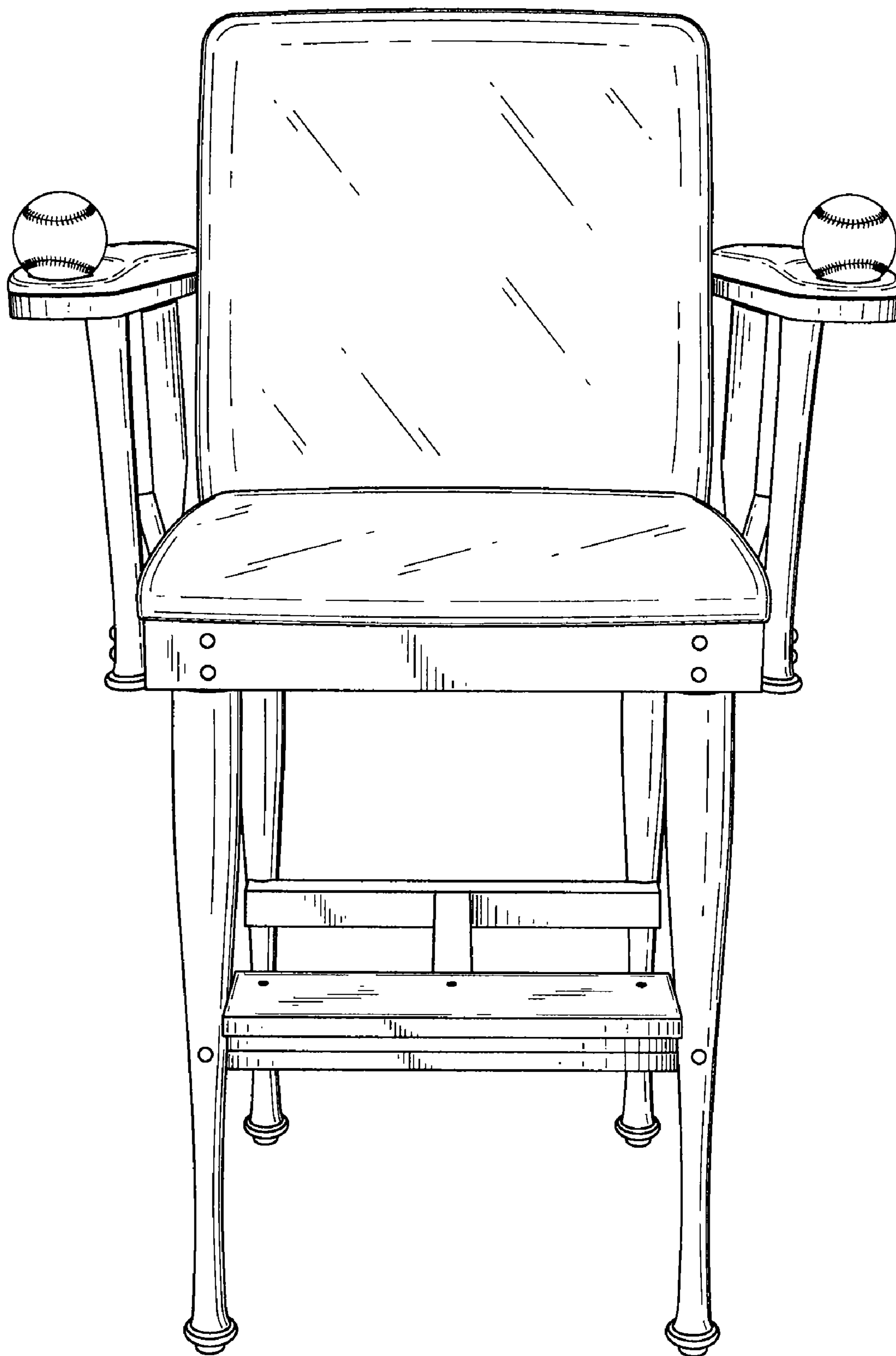


FIG. 2

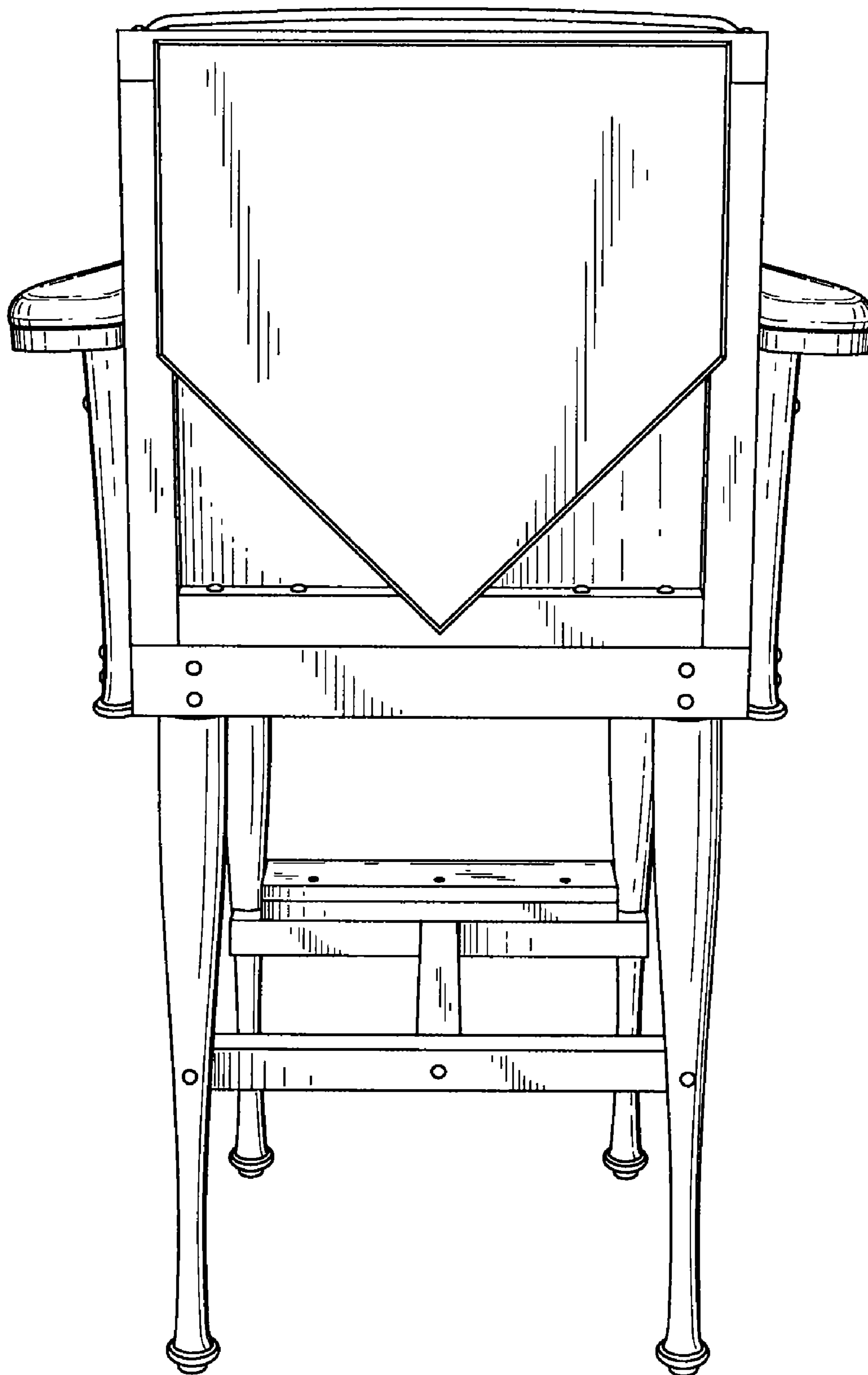


FIG. 3

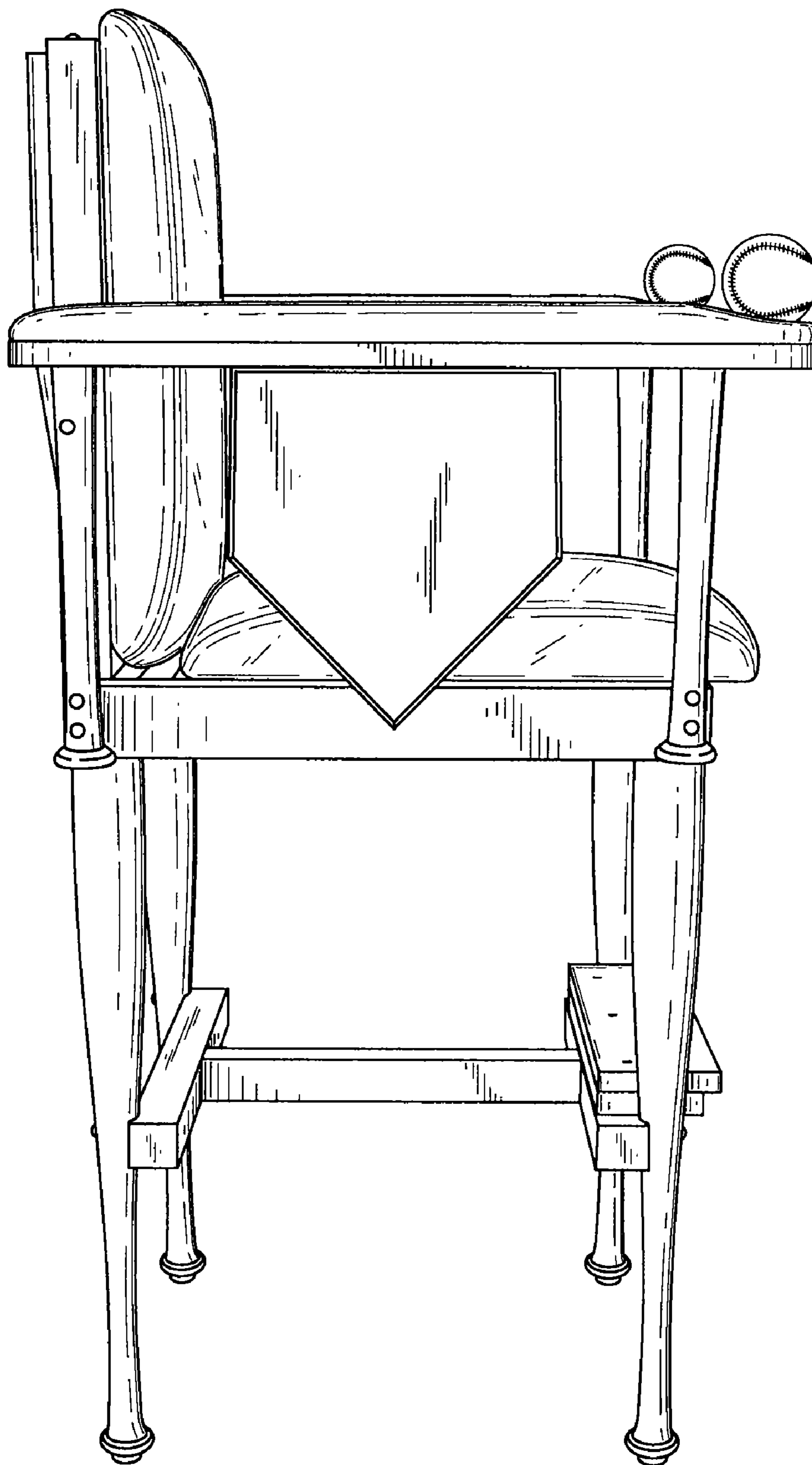


FIG. 4

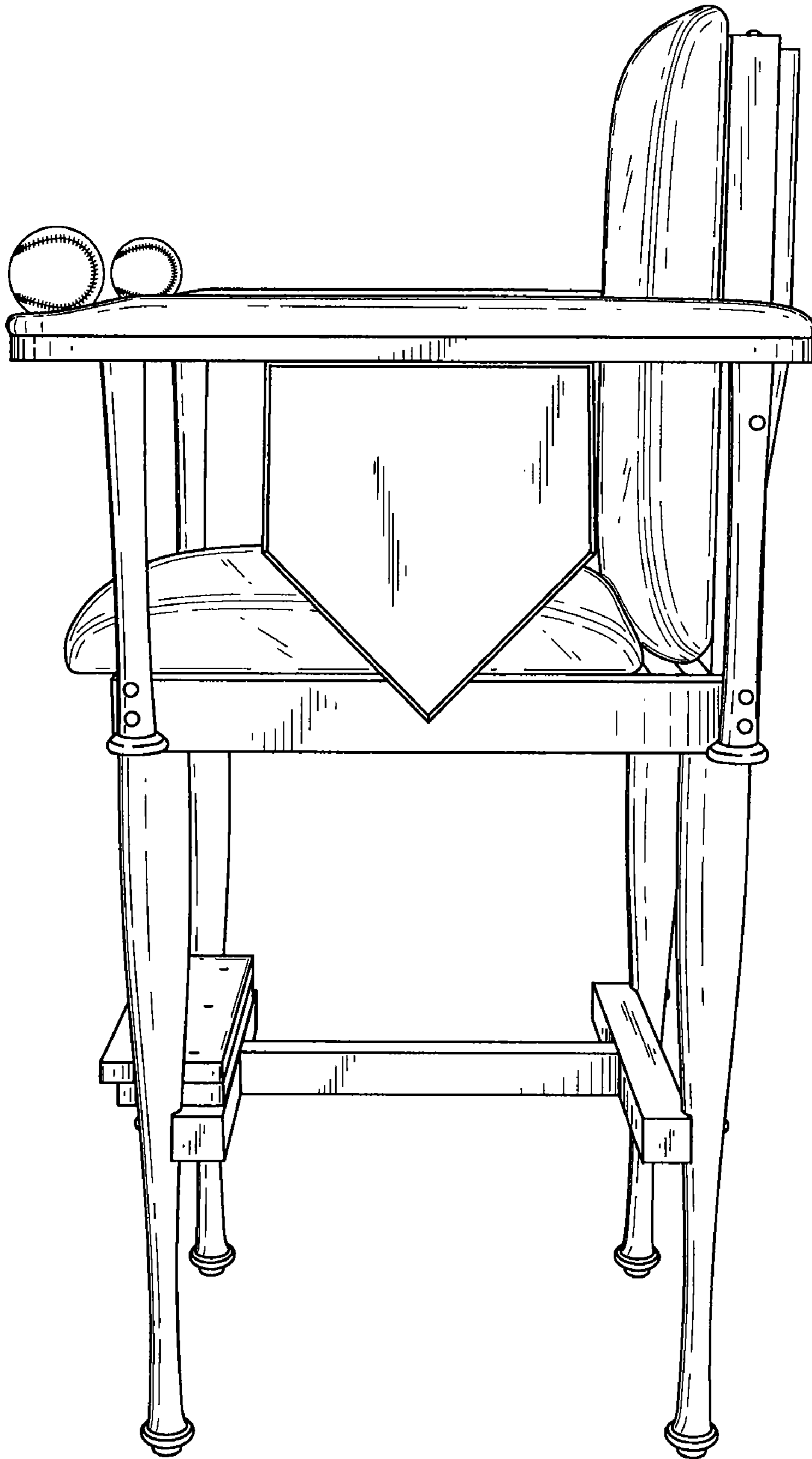


FIG. 5

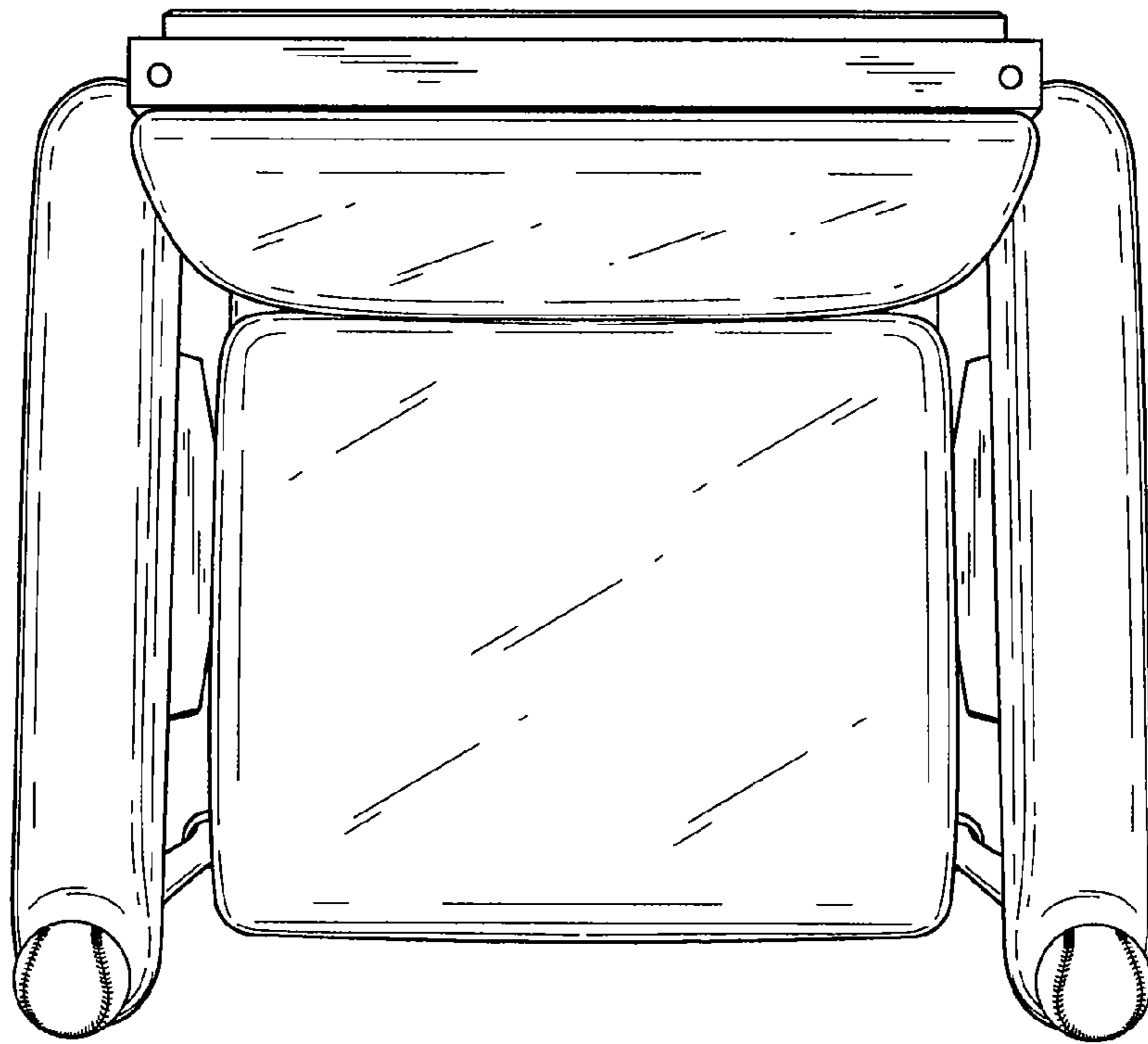


FIG. 6

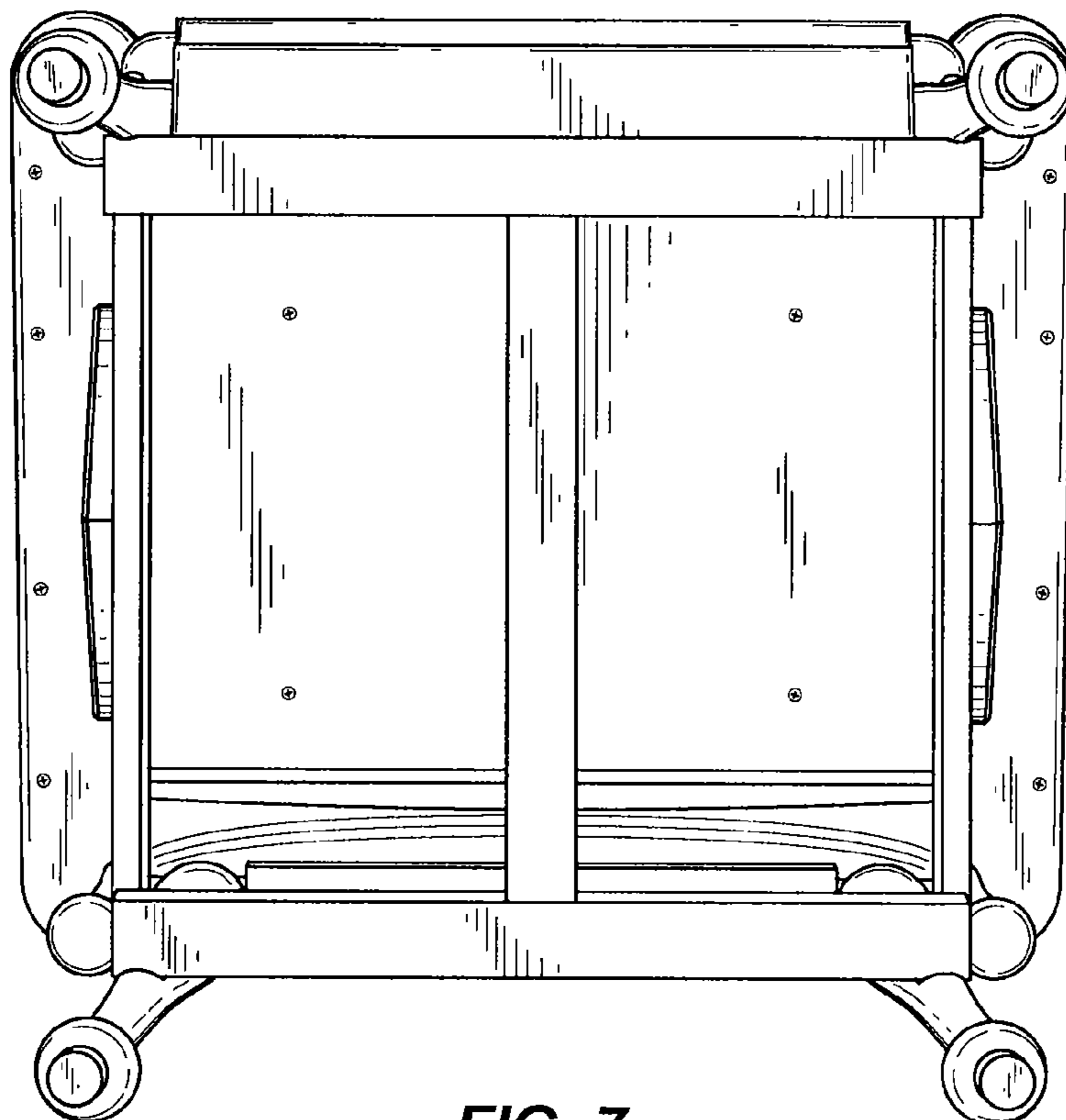


FIG. 7