

US00D546081S

(12) **United States Design Patent** (10) **Patent No.:** **US D546,081 S**
Babikian et al. (45) **Date of Patent:** **** Jul. 10, 2007**

(54) **HIGH CHAIR**

(75) Inventors: **Dikran Babikian**, Glendale, CA (US);
Nancy LaCroix-Toyne, Tujunga, CA (US)

(73) Assignee: **Bobrick Washroom Equipment, Inc.**,
North Hollywood, CA (US)

(**) Term: **14 Years**

(21) Appl. No.: **29/238,102**

(22) Filed: **Sep. 9, 2005**

(51) **LOC (8) Cl.** **06-01**

(52) **U.S. Cl.** **D6/339**

(58) **Field of Classification Search** D6/333-339,
D6/360, 375, 380, 500, 502; 297/1-3, 24,
297/27, 61, 68, 69, 118, 119, 130, 136, 148,
297/153, 170-173, 174 R, 174 CS, 256.1,
297/344.14

See application file for complete search history.

(56) **References Cited**

U.S. PATENT DOCUMENTS

4,082,349	A	4/1978	Ballenger	
5,087,097	A *	2/1992	Hehn	297/153
5,238,291	A *	8/1993	Alionis	297/118
D358,494	S *	5/1995	Baerenwald et al.	D6/339
5,413,399	A *	5/1995	Myers et al.	297/118
D386,911	S	12/1997	Perego	
5,806,922	A *	9/1998	Mendelovich	297/130
6,074,007	A	6/2000	Helmsderfer et al.	
6,082,814	A	7/2000	Celestina-Krevh et al.	

D442,789	S *	5/2001	Presnell et al.	D6/339
6,659,544	B2 *	12/2003	Hollett et al.	297/130
6,938,952	B2 *	9/2005	Dauterive	297/130
2003/0057745	A1 *	3/2003	Dauterive	297/130
2003/0098597	A1 *	5/2003	Hollett et al.	297/118
2005/0248186	A1 *	11/2005	Wang	297/148

OTHER PUBLICATIONS

Koala Kare Products, New Koala Designer High Chair, Product No. KB105-02, on sale, posting: Sep. 2005, <http://www.babychangingstations.com>.*

* cited by examiner

Primary Examiner—Sandra Snapp

Assistant Examiner—Karen Acker

(74) *Attorney, Agent, or Firm*—Christie, Parker & Hale, LLP

(57) **CLAIM**

The ornamental design for high chair, as shown and described.

DESCRIPTION

FIG. 1 is a perspective view of a high chair;

FIG. 2 is a front view thereof;

FIG. 3 is a right side view thereof, the left side being a mirror image thereof;

FIG. 4 is a rear view thereof;

FIG. 5 is a top plan view thereof; and,

FIG. 6 is a bottom plan view thereof.

1 Claim, 6 Drawing Sheets

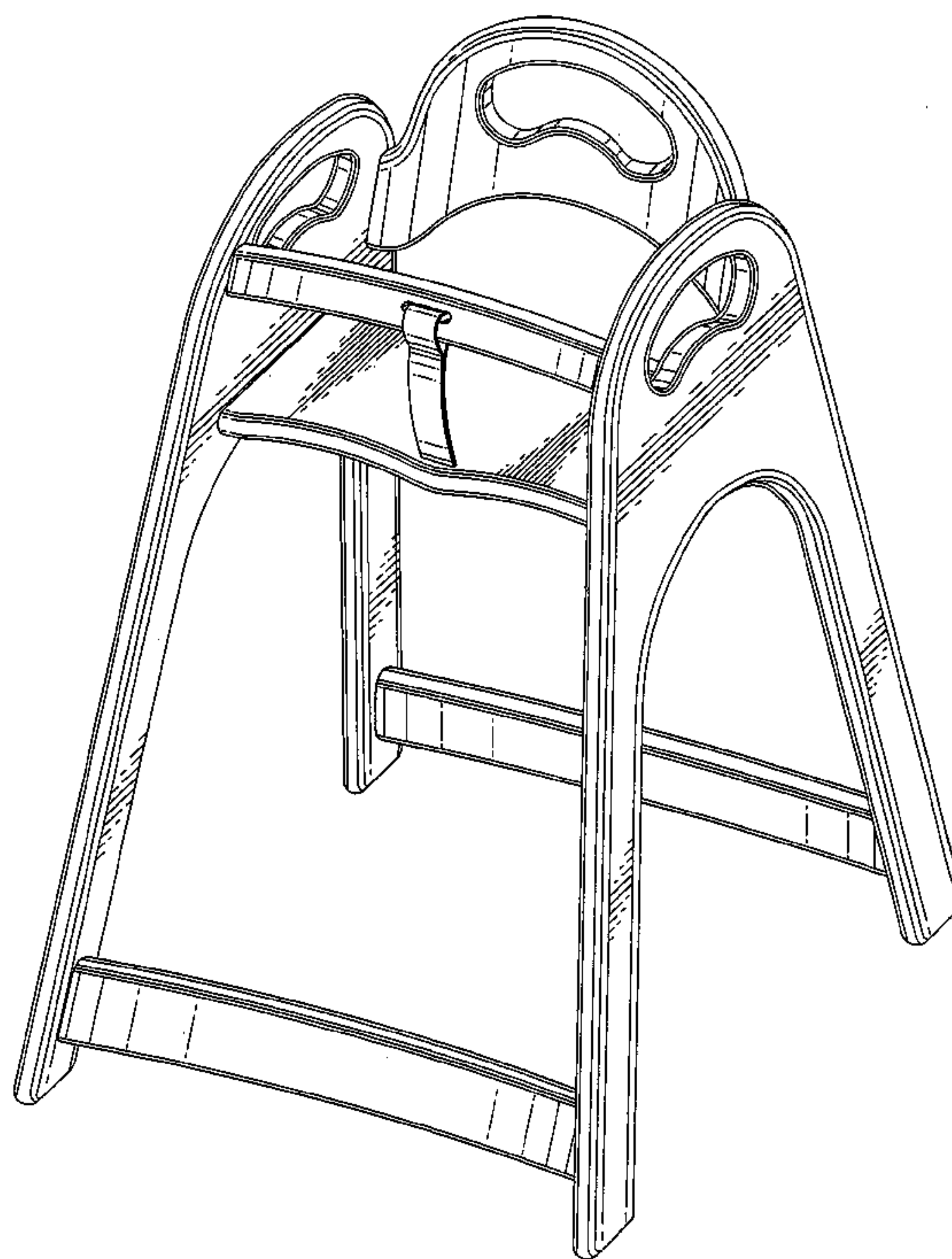


FIG. 1

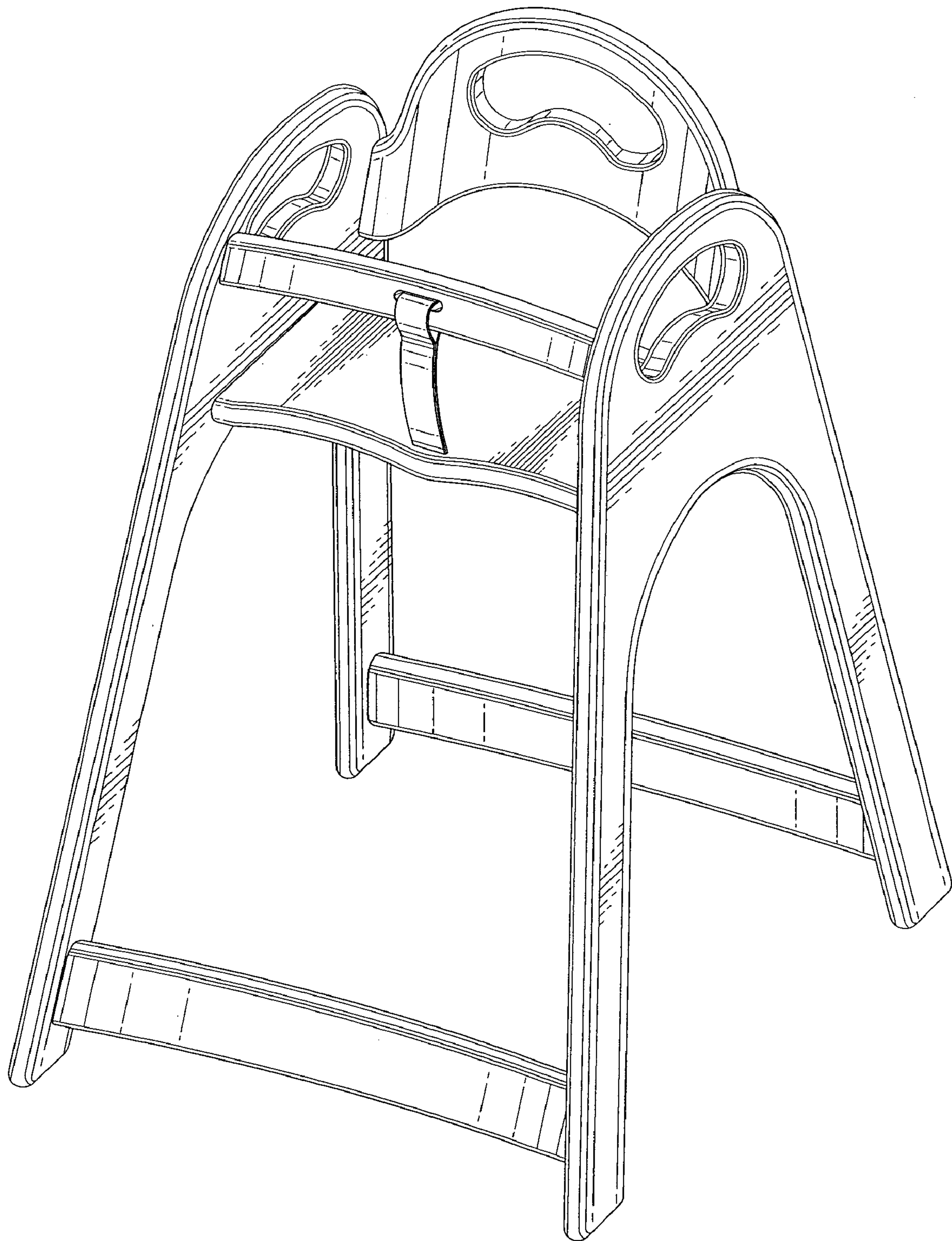


FIG. 2

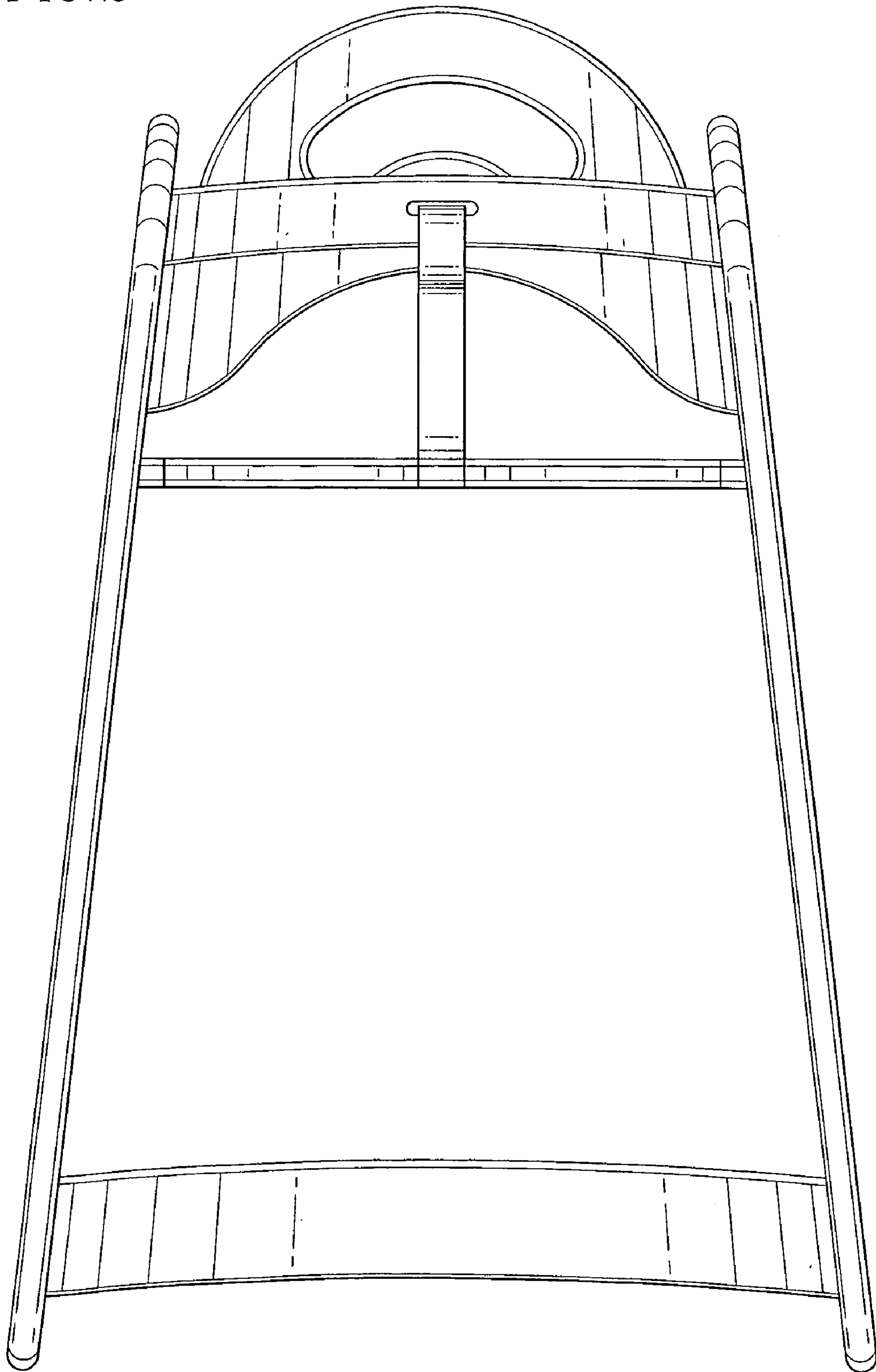


FIG. 3

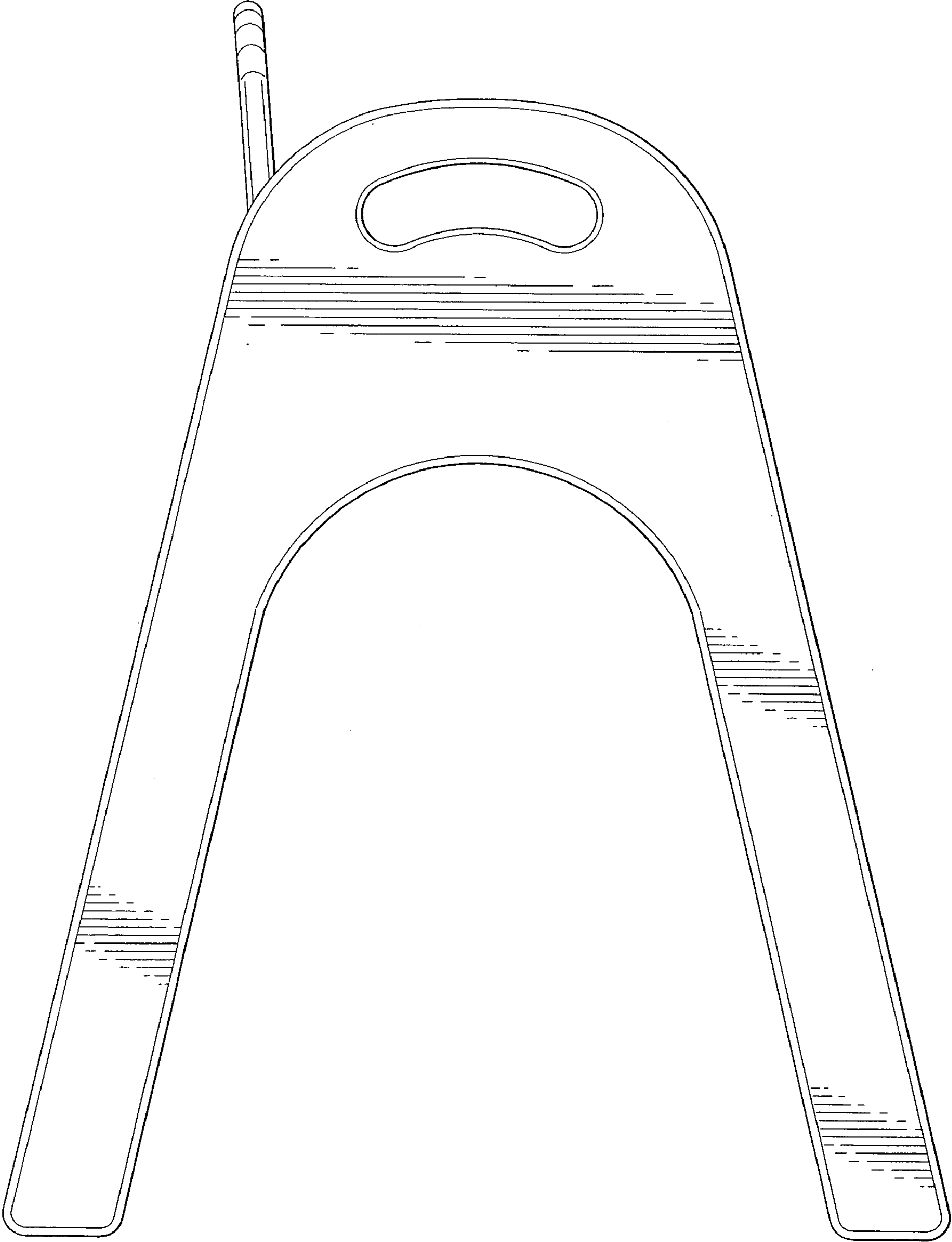


FIG. 4

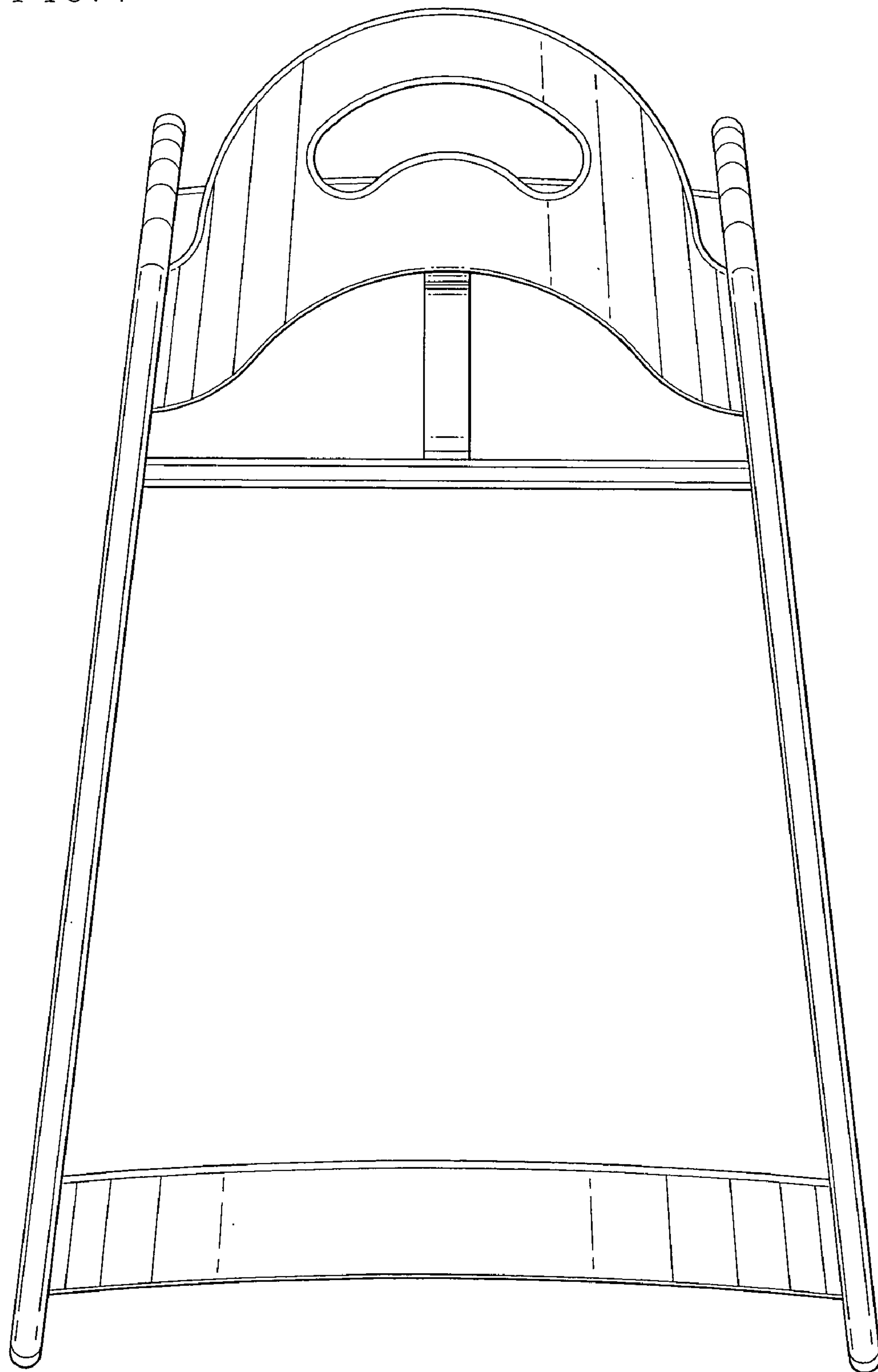


FIG. 5

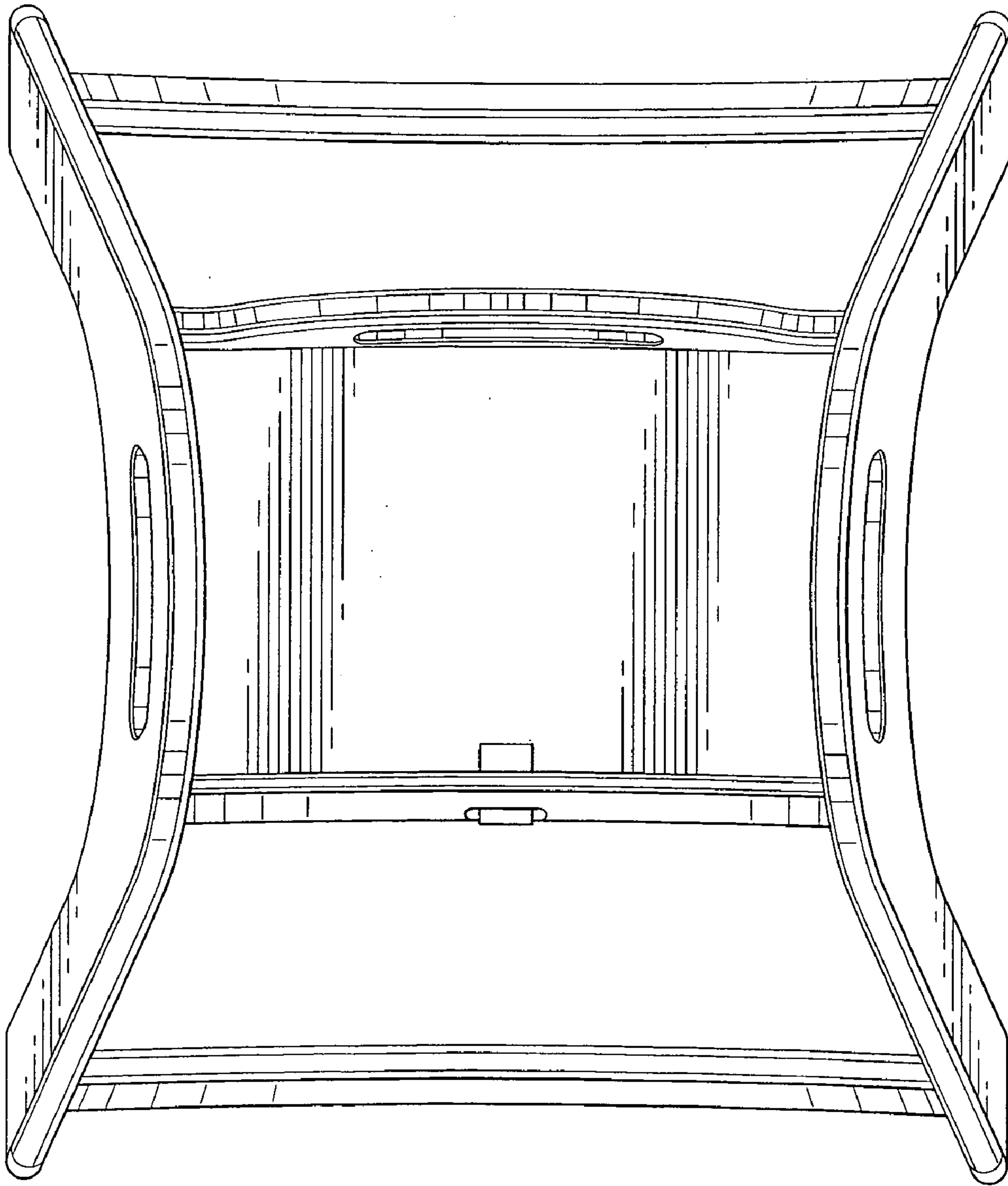


FIG. 6

