



US00D546075S

(12) **United States Design Patent**  
**Kreiss**

(10) **Patent No.:** **US D546,075 S**

(45) **Date of Patent:** **\*\* Jul. 10, 2007**

(54) **MIRROR**

D488,626 S \* 4/2004 Kruger ..... D6/309  
D530,525 S \* 10/2006 Greene, II ..... D6/309

(75) Inventor: **Michael Kreiss**, San Diego, CA (US)

\* cited by examiner

(73) Assignee: **Kreiss Enterprises, Inc.**, San Diego, CA (US)

*Primary Examiner*—Janice E. Seeger  
*Assistant Examiner*—Sydney R. Buffalow  
(74) *Attorney, Agent, or Firm*—Kleinberg & Lerner, LLP;  
Marvin H. Kleinberg

(\*\*) Term: **14 Years**

(21) Appl. No.: **29/246,606**

(57) **CLAIM**

(22) Filed: **Apr. 26, 2006**

The ornamental design for a mirror, as shown and described.

(51) **LOC (8) Cl.** ..... **06-07**

(52) **U.S. Cl.** ..... **D6/309**

(58) **Field of Classification Search** ..... D6/300–314,  
D6/444; 40/700, 734, 735, 743  
See application file for complete search history.

**DESCRIPTION**

FIG. 1 is a perspective view of the mirror of the present invention;

FIG. 2 is a front view of the mirror of FIG. 1;

FIG. 3 is a rear view of the mirror of FIG. 1; and,

FIG. 4 is a top view of the mirror of FIG. 1.

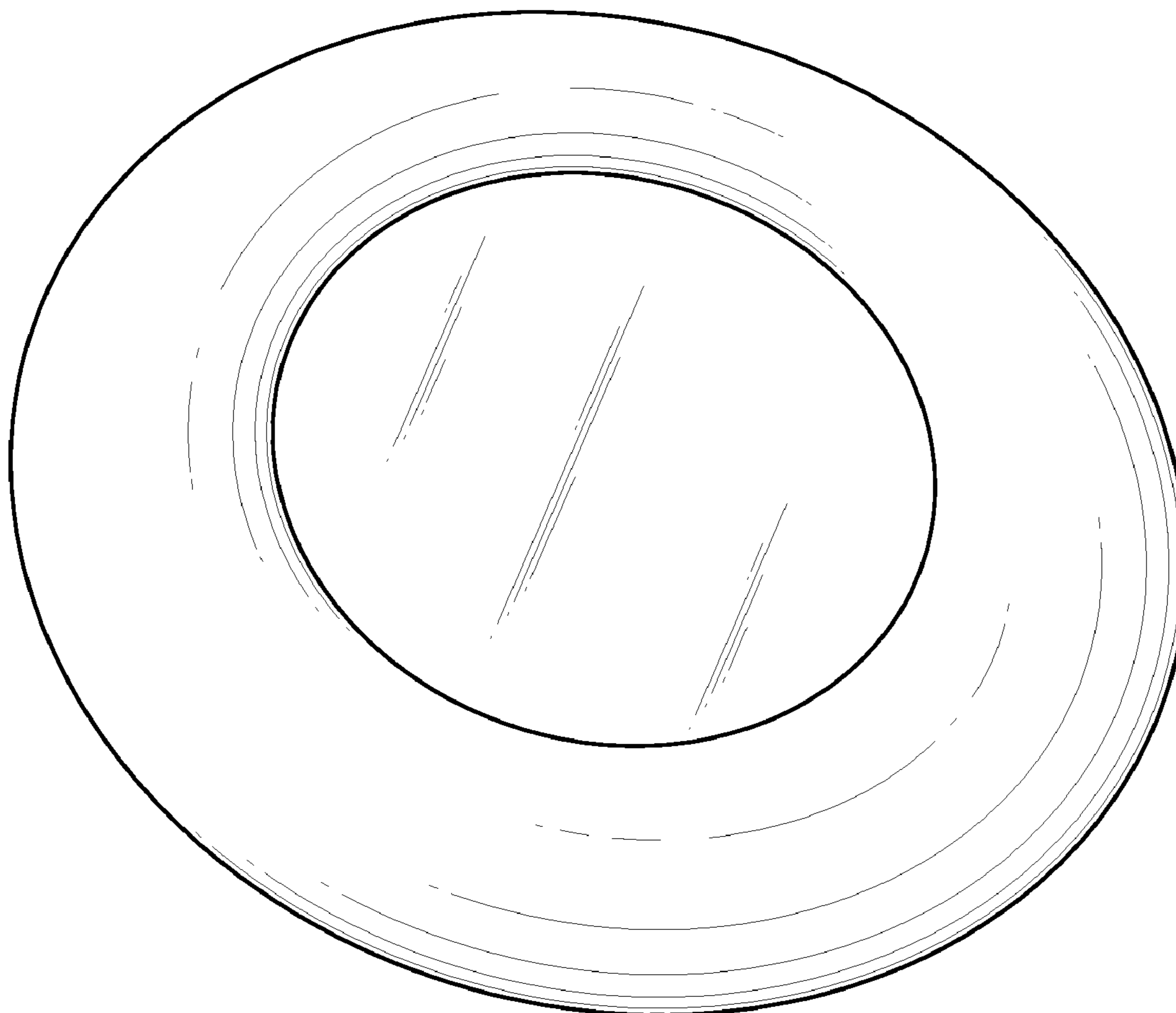
The mirror of the present invention is symmetrical and the top, bottom and side views are identical.

(56) **References Cited**

U.S. PATENT DOCUMENTS

886,840 A \* 5/1908 Mueller ..... 40/700  
3,608,179 A \* 9/1971 Jeffree et al. .... 29/446  
D306,528 S \* 3/1990 Worley ..... D6/309  
D334,667 S \* 4/1993 Lonczak et al. .... D6/308

**1 Claim, 2 Drawing Sheets**



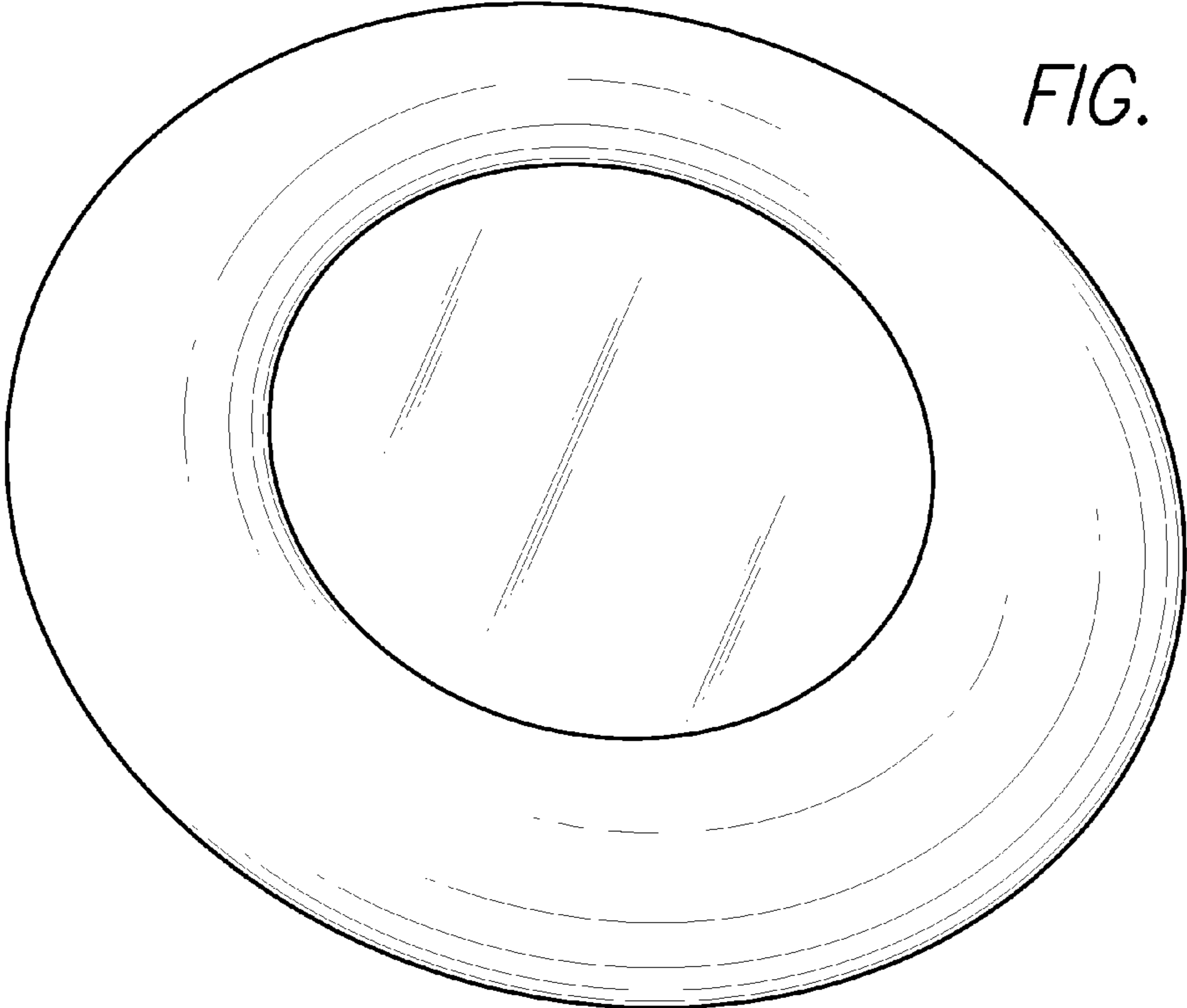


FIG. 1

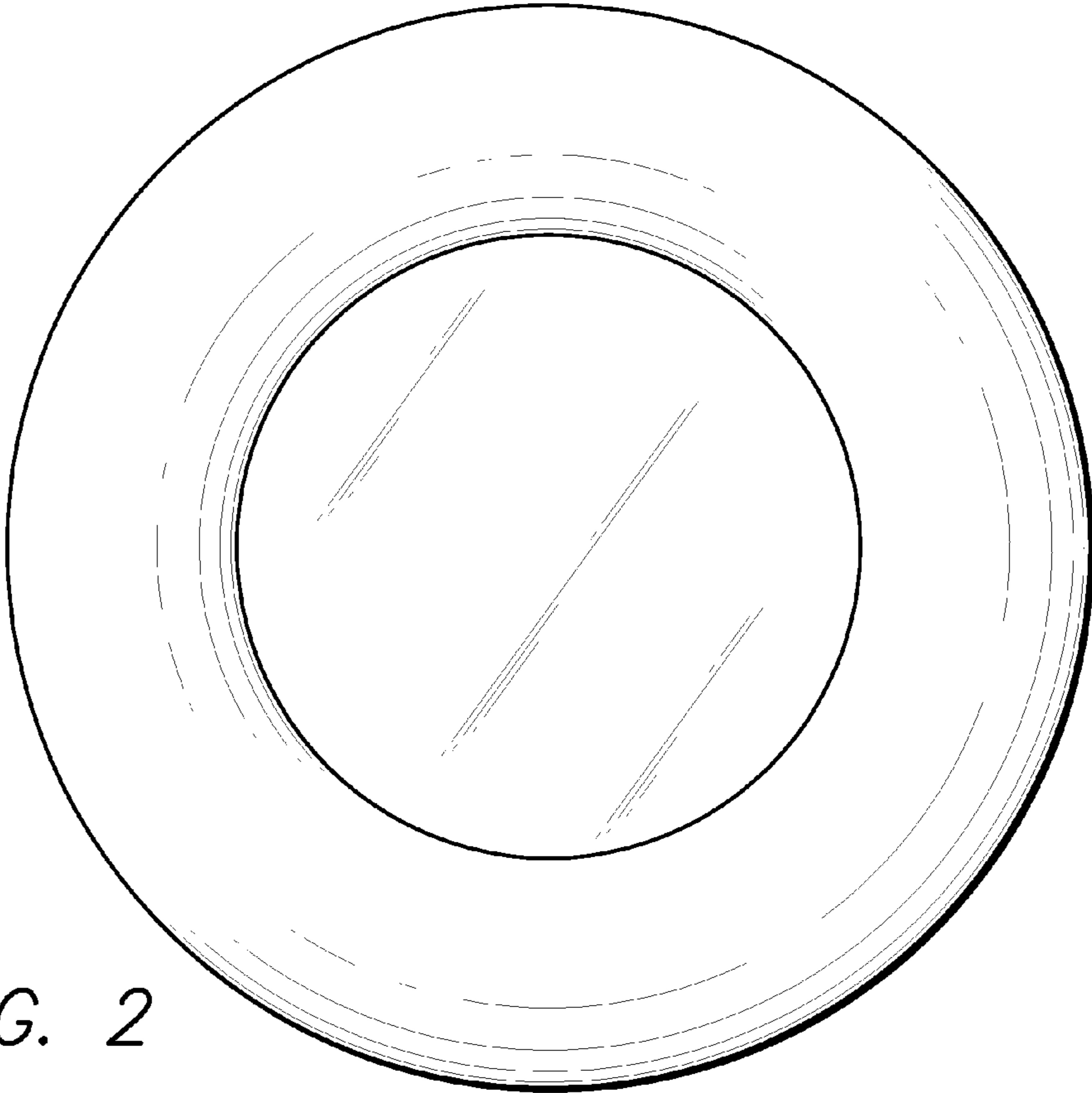
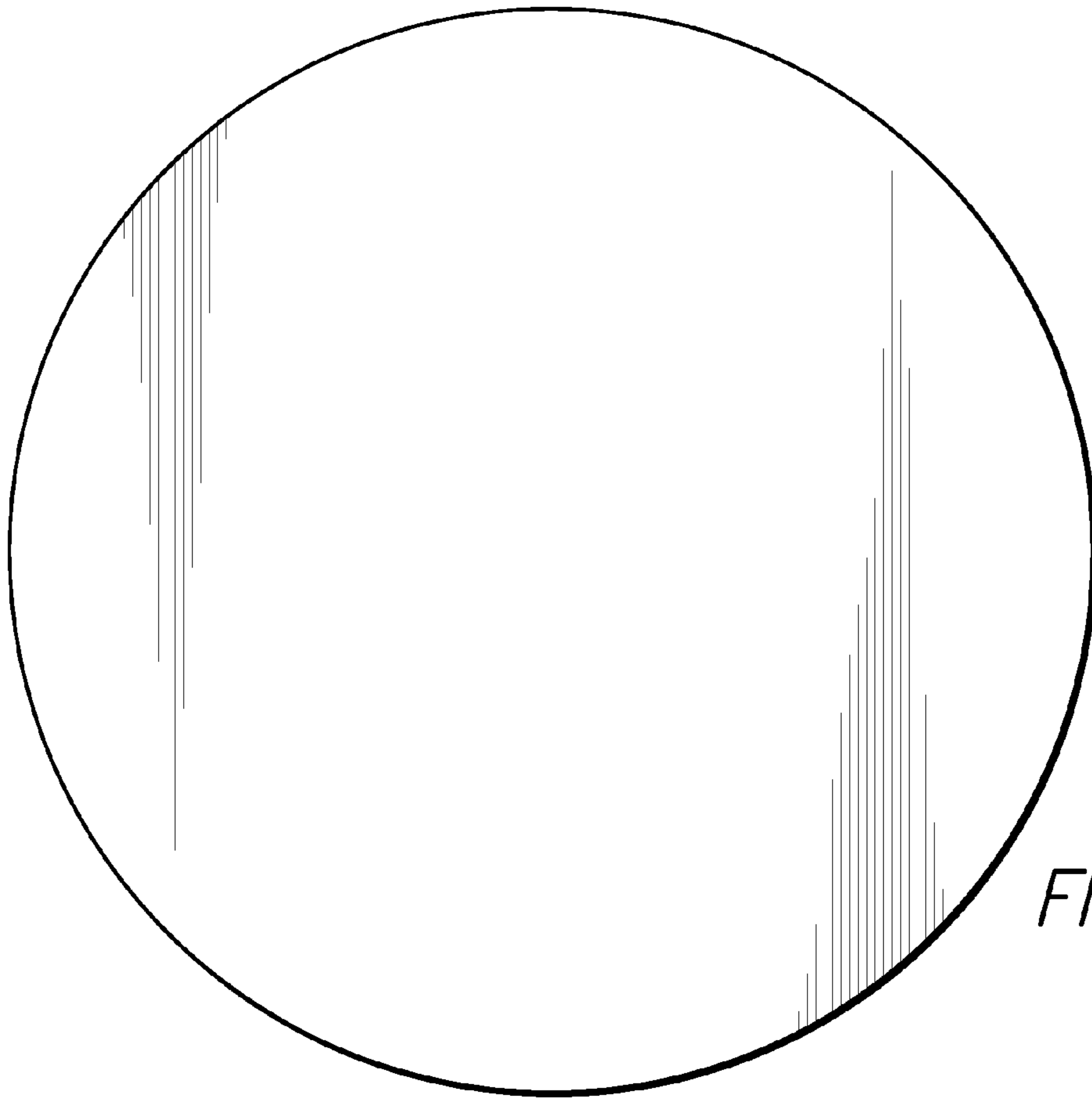
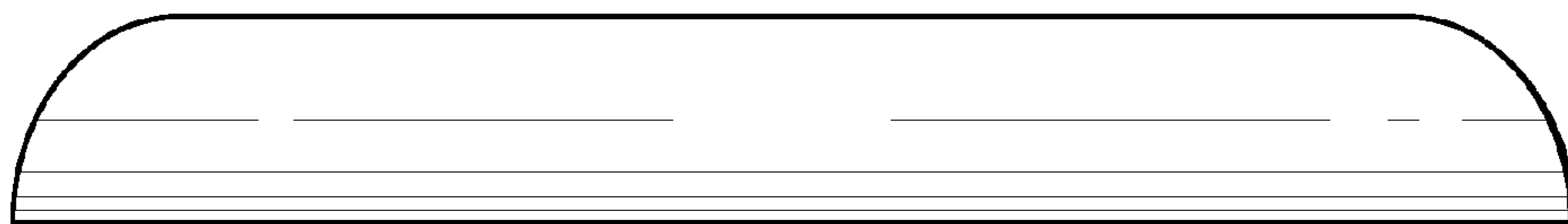


FIG. 2



*FIG. 3*



*FIG. 4*