



US00D546073S

(12) **United States Design Patent**  
**Mischel, Jr. et al.**

(10) **Patent No.:** **US D546,073 S**  
(45) **Date of Patent:** **\*\* Jul. 10, 2007**

(54) **LIGHTED MIRROR**

(75) Inventors: **James Vernon Mischel, Jr.**, Edmonds, WA (US); **Patrick Daniel Erickson**, Seattle, WA (US)

(73) Assignee: **Electric Mirror, LLC**, Edmonds, WA (US)

(\*\*) Term: **14 Years**

(21) Appl. No.: **29/258,464**

(22) Filed: **Apr. 22, 2006**

(51) **LOC (8) Cl.** ..... **06-07**

(52) **U.S. Cl.** ..... **D6/300**

(58) **Field of Classification Search** ..... D6/300-314, D6/444; D20/10; 40/700, 735, 738, 744, 40/798; D28/64.1; 250/492.23; D19/52  
See application file for complete search history.

(56) **References Cited**

**U.S. PATENT DOCUMENTS**

D112,409 S	*	11/1938	Golden	.....	D6/311
D114,451 S		4/1939	Lazarus		
D184,141 S	*	12/1958	Mook	.....	D6/300
4,129,671 A	*	12/1978	Greenberg	.....	428/48
D270,273 S	*	8/1983	Kosmicki	.....	D19/52
D285,505 S	*	9/1986	Billiet	.....	D6/300
D312,925 S	*	12/1990	Burhardt	.....	D6/314

D339,921 S	*	10/1993	Nourse	.....	D6/300
D345,379 S		3/1994	Chan		
D359,928 S	*	7/1995	Ilaria et al.	.....	D11/132
5,843,546 A	*	12/1998	Eichhorn	.....	428/38
D405,473 S		2/1999	Tikhonski et al.		
D433,573 S		11/2000	Rochon		
6,194,055 B1	*	2/2001	Eichhorn	.....	428/167
D487,271 S	*	3/2004	Korpai	.....	D14/448
D509,367 S	*	9/2005	Kennedy	.....	D6/300
D523,249 S	*	6/2006	Hoernig	.....	D6/300

\* cited by examiner

*Primary Examiner*—Janice E. Seeger

*Assistant Examiner*—Sydney R. Buffalow

(74) *Attorney, Agent, or Firm*—Christensen O'Connor Johnson Kindness PLLC

(57) **CLAIM**

The ornamental design for a lighted mirror, as shown and described.

**DESCRIPTION**

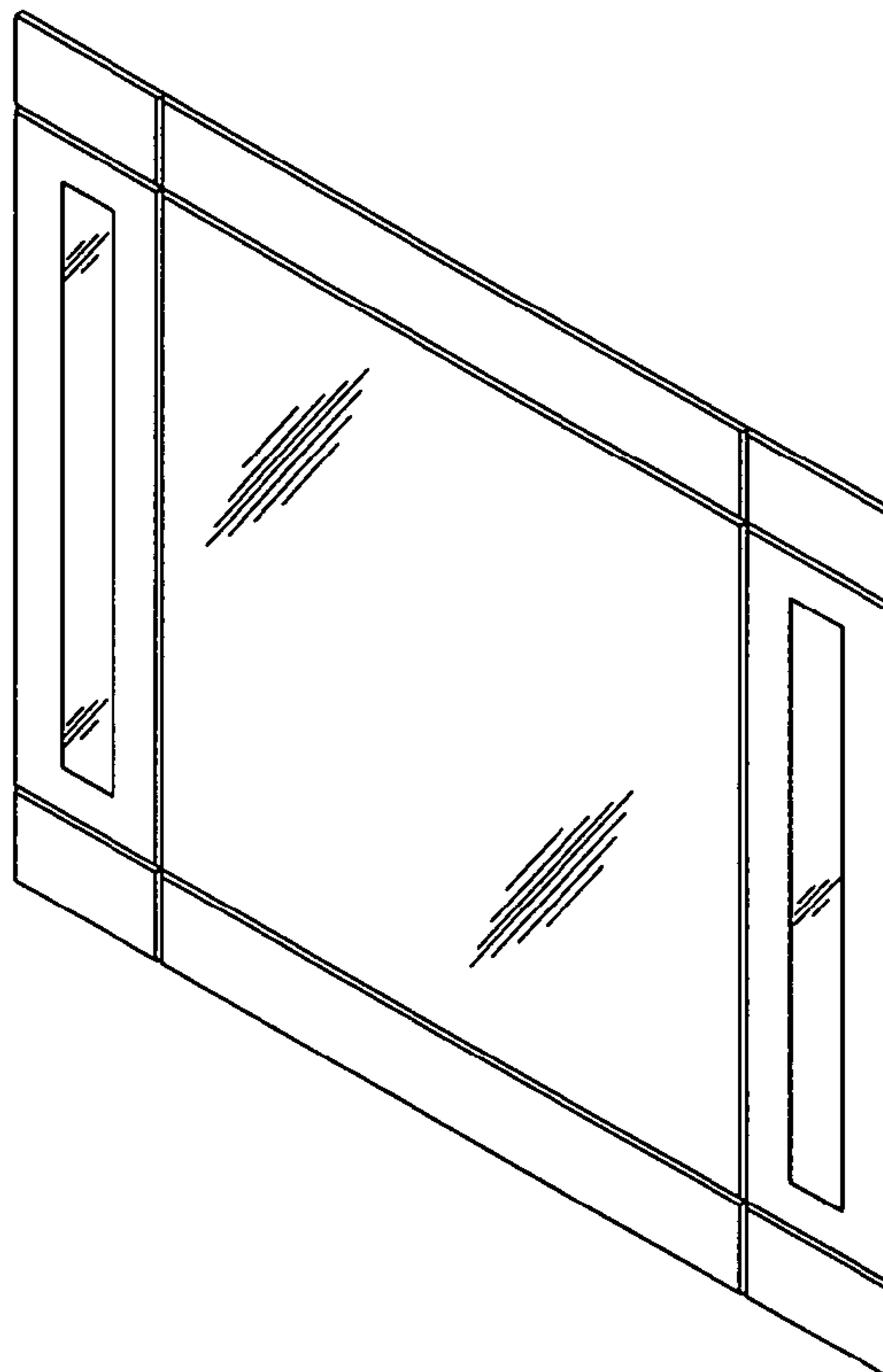
FIG. 1 is a perspective view of a lighted mirror, showing our new design:

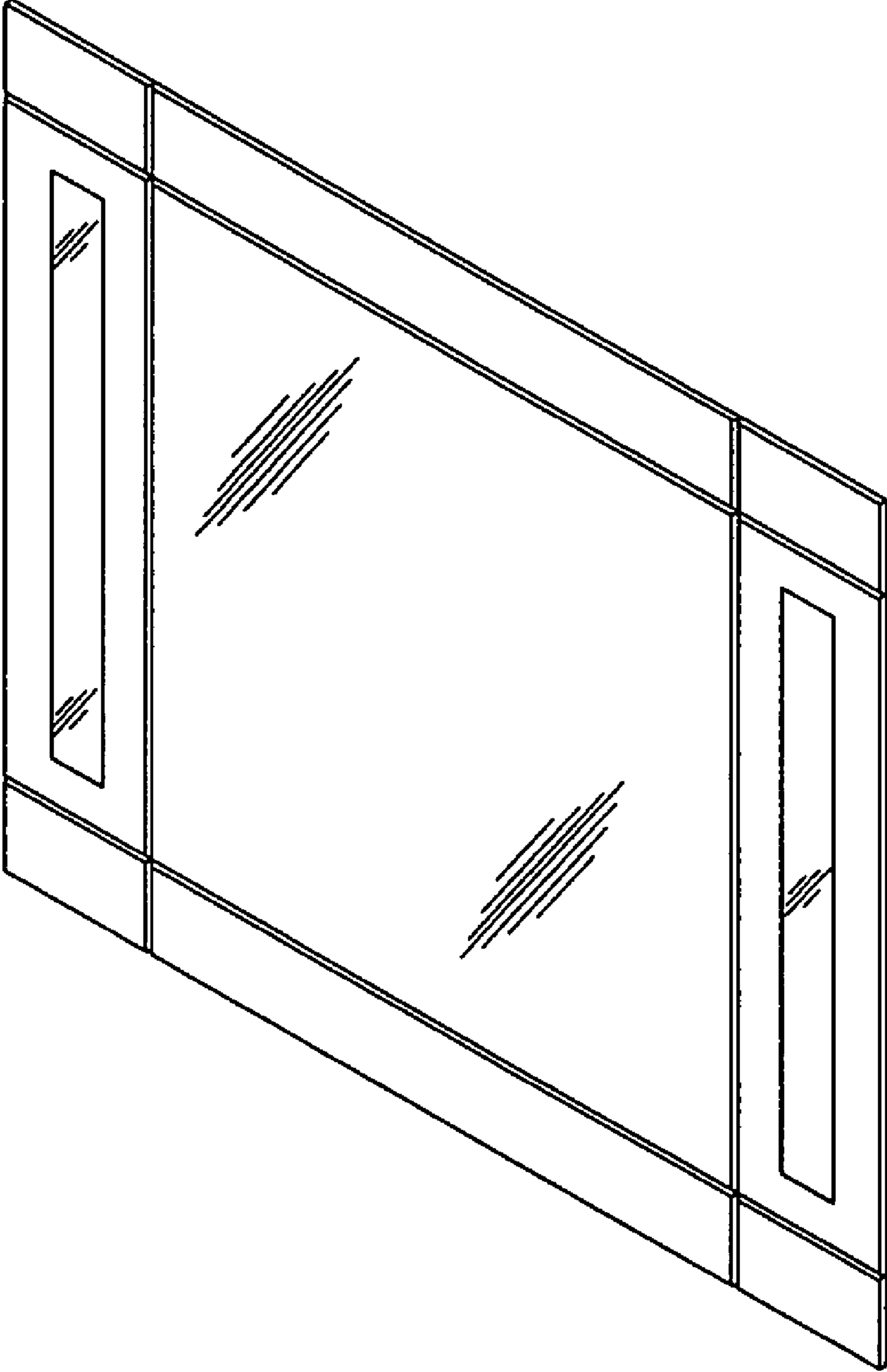
FIG. 2 is a front view and back view thereof;

FIG. 3 is a left side view and a right side view thereof; and,

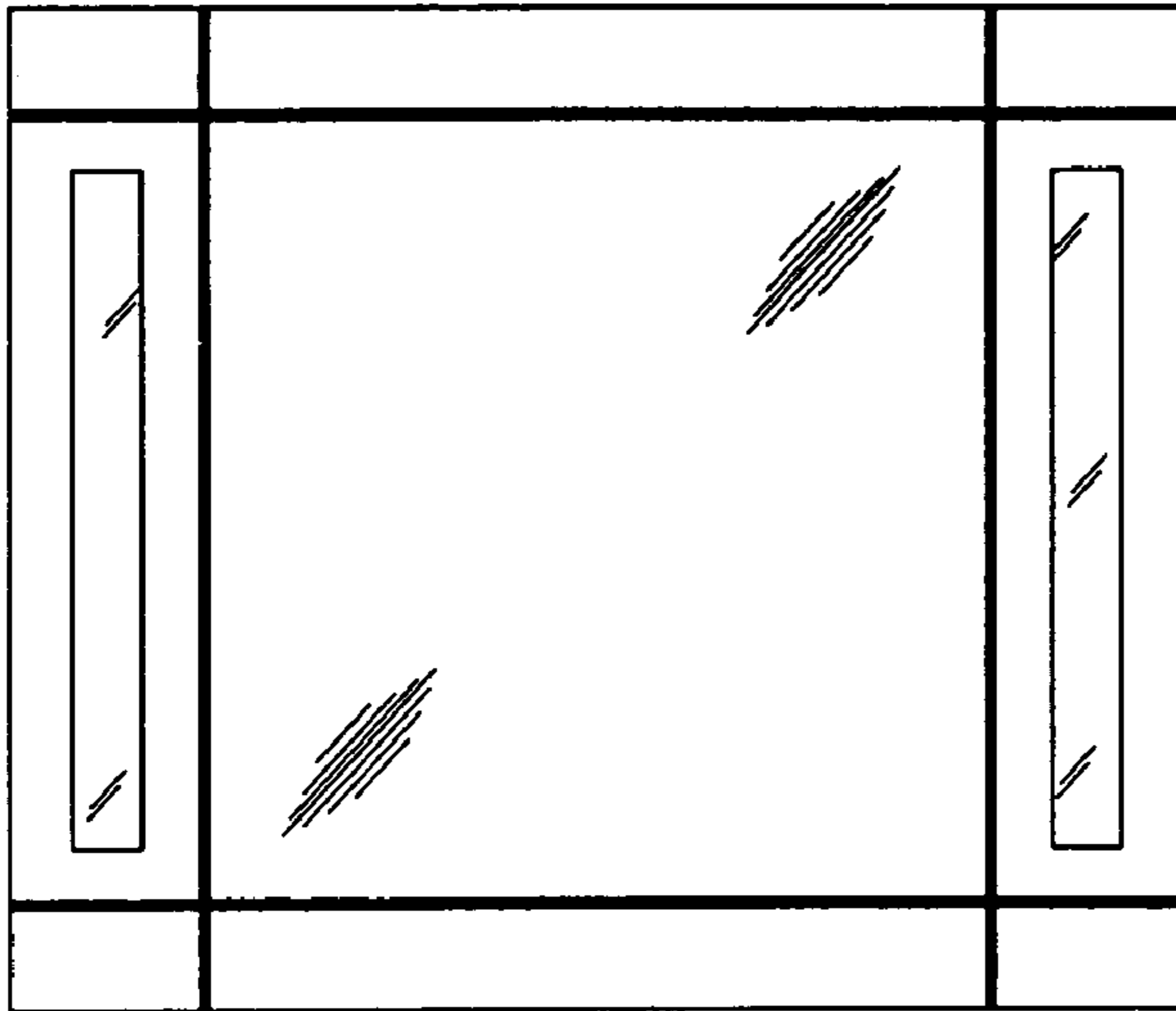
FIG. 4 is a top view and a bottom view thereof.

**1 Claim, 2 Drawing Sheets**





*Fig. 1.*



*Fig. 2.*



*Fig. 3.*



*Fig. 4.*