

US00D546065S

(12) **United States Design Patent**  
**Fenton et al.**

(10) **Patent No.:** **US D546,065 S**  
(45) **Date of Patent:** **\*\* Jul. 10, 2007**

(54) **SIGNATURE PANEL FOR LUGGAGE AND BAGS**

D311,276 S \* 10/1990 Workman ..... D3/321  
D417,340 S \* 12/1999 Moor ..... D3/321  
6,357,567 B1 \* 3/2002 Tsai ..... 190/18 A  
D531,411 S \* 11/2006 Fenton et al. .... D3/321

(75) Inventors: **Timm John Fenton**, 229 Beacon Hill,  
Califon, NJ (US) 07830; **Peter Chang-Lin Wu**, 2304 Mindy La.,  
Piscataway, NJ (US) 08854

(73) Assignees: **Timm John Fenton**, South Plainfield,  
NJ (US); **Peter Chang-Lin Wu**, South Plainfield,  
NJ (US)

(\*\*) Term: **14 Years**

(21) Appl. No.: **29/263,760**

(22) Filed: **Jul. 28, 2006**

(51) **LOC (8) Cl.** ..... **03-01**

(52) **U.S. Cl.** ..... **D3/321**

(58) **Field of Classification Search** ..... D3/273,  
D3/276, 279, 283, 288, 289, 318, 321, 322,  
D3/323, 902; 16/113.1, 405; 150/105, 127,  
150/128, 129, 130; 190/18 A, 18 R, 28,  
190/37, 100, 102, 103, 105, 107, 108, 109,  
190/111, 113, 115, 119, 122, 124, 125, 126,  
190/127; 280/37, 47.17, 47.26, 47.34

See application file for complete search history.

(56) **References Cited**

U.S. PATENT DOCUMENTS

520,705 A \* 5/1894 Prahar ..... 150/128

\* cited by examiner

*Primary Examiner*—Louis S. Zarfes

*Assistant Examiner*—Monica A. Weingart

(74) *Attorney, Agent, or Firm*—Charles E. Baxley

(57) **CLAIM**

The ornamental design for a signature panel for luggage and bags, as shown and described.

**DESCRIPTION**

FIG. 1 is a front perspective view of a signature panel for luggage and bags showing our new design;

FIG. 2 is a front elevational view thereof;

FIG. 3 is a left side elevational view thereof; and,

FIG. 4 is a right side elevational view thereof.

The broken line showing in FIGS. 1-4 is included for the purpose of illustrating environment and forms no part of the claimed design.

**1 Claim, 3 Drawing Sheets**

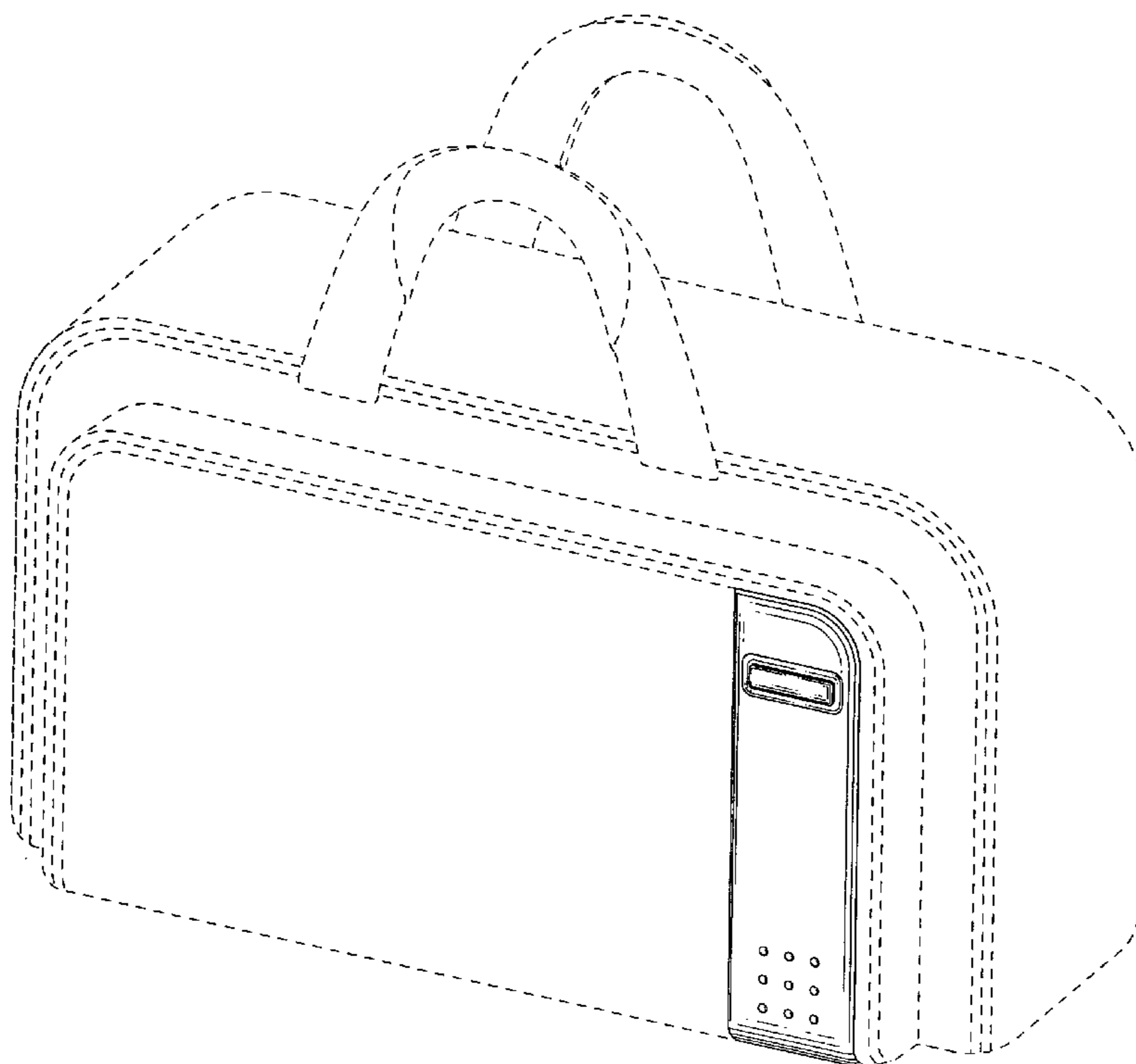


FIG. 1

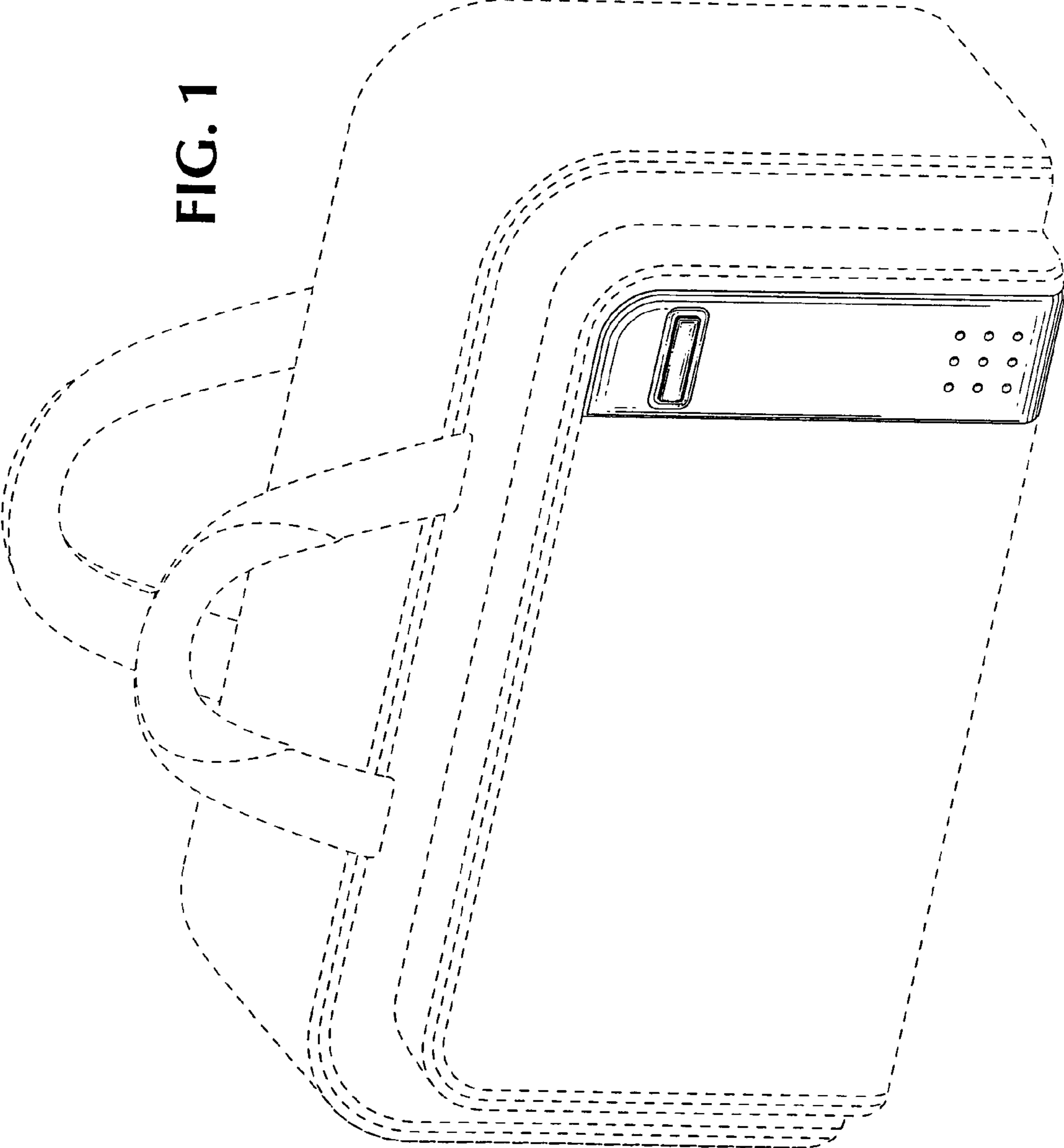
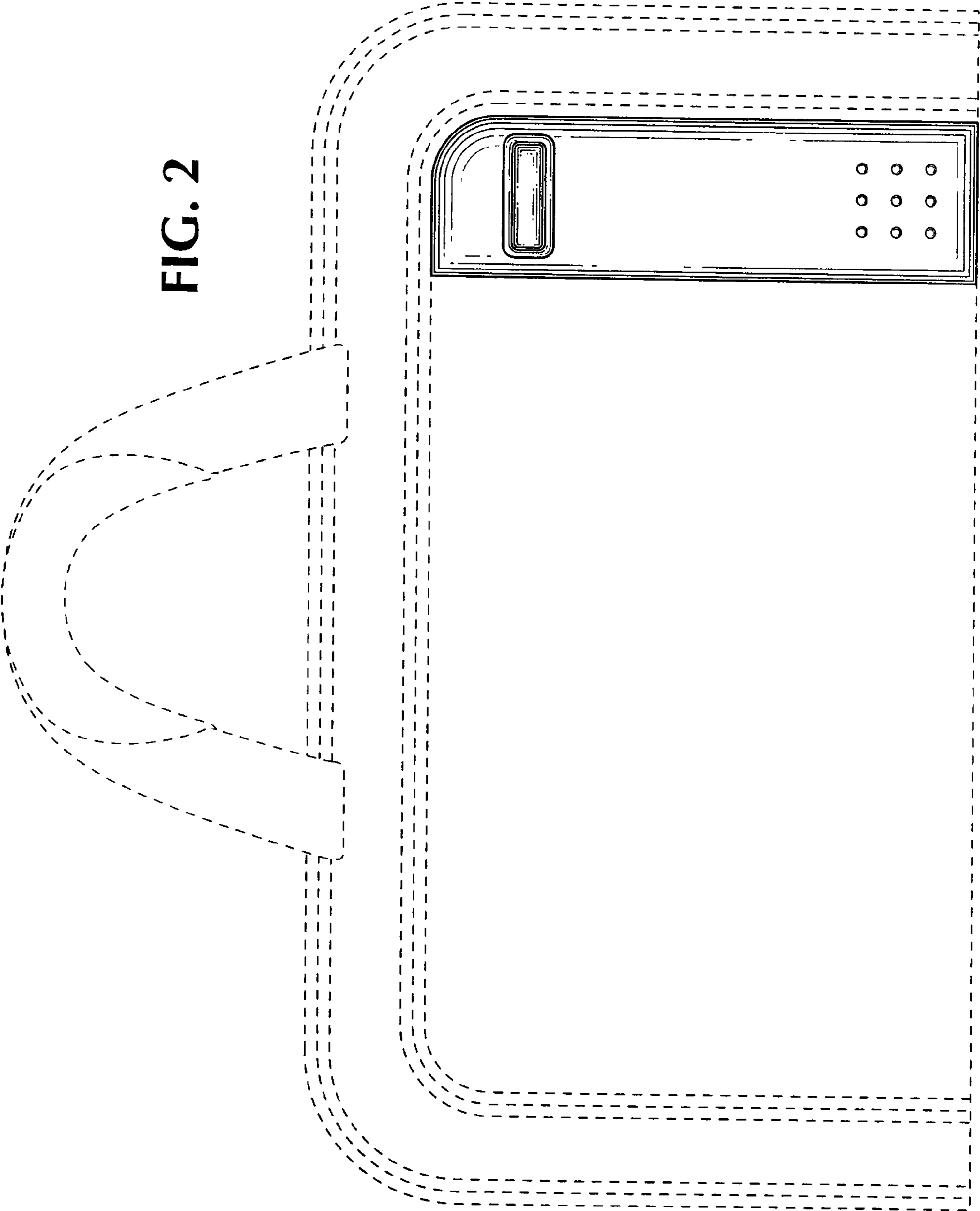


FIG. 2



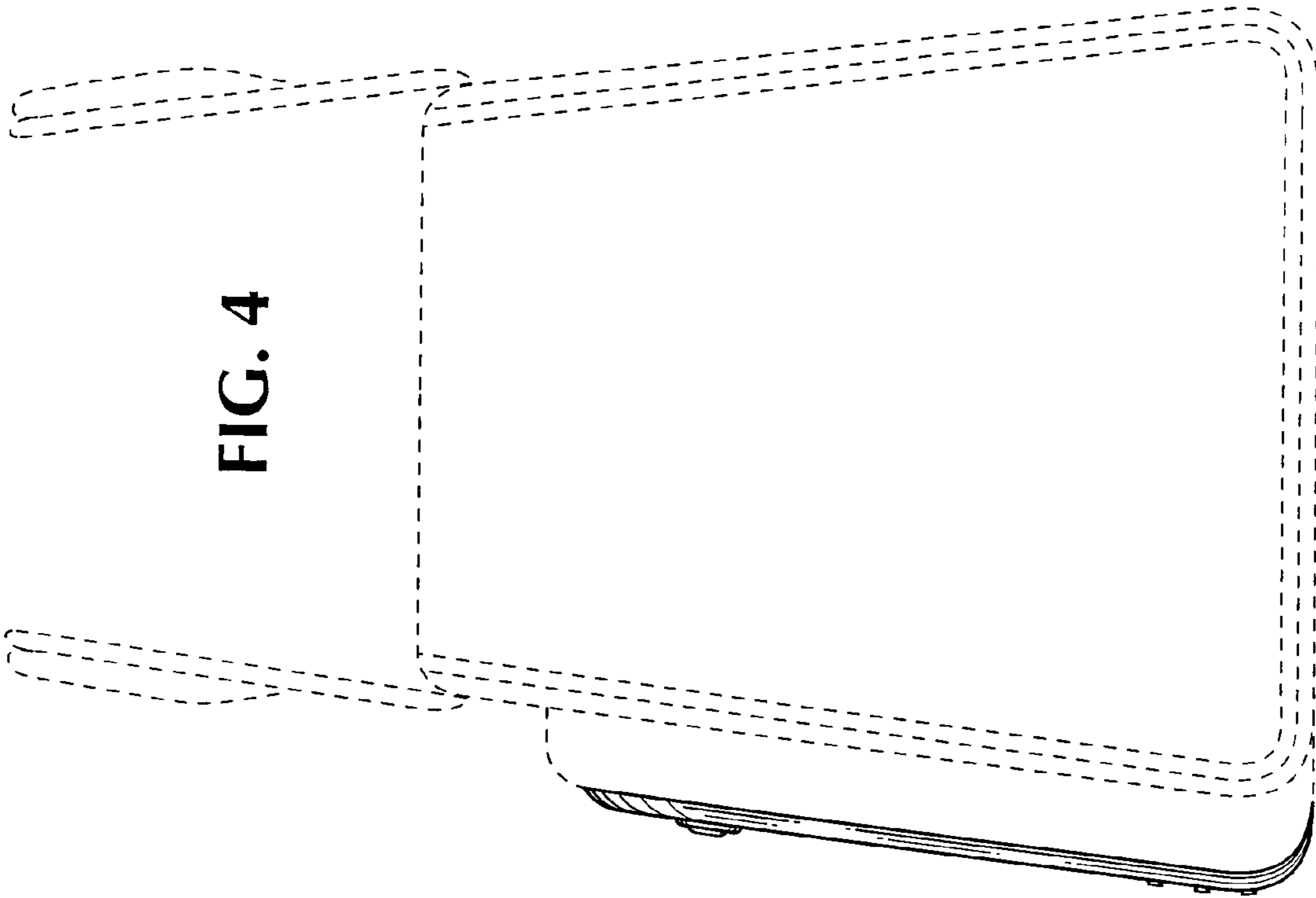


FIG. 4

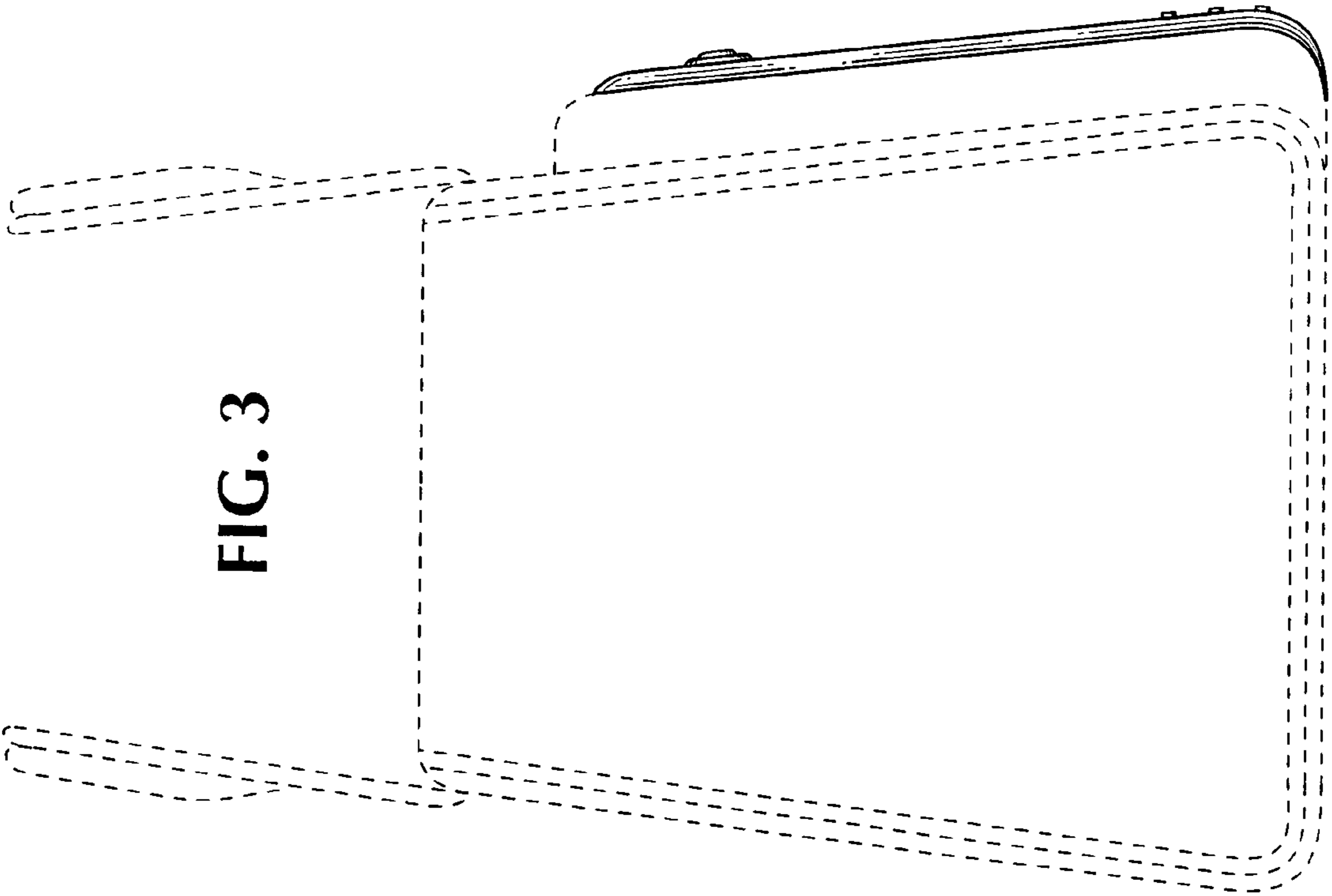


FIG. 3