

US00D546063S

(12) **United States Design Patent**  
**Snyder**

(10) **Patent No.:** **US D546,063 S**  
(45) **Date of Patent:** **\*\* Jul. 10, 2007**

(54) **PLASTIC PIPE FITTER'S TRAY**

D527,522 S \* 9/2006 Kammerer ..... D3/291

(76) Inventor: **R. Wayne Snyder**, 1549 Center Church Rd., Lexington, NC (US) 27295

(\*\*) Term: **14 Years**

(21) Appl. No.: **29/226,595**

(22) Filed: **Mar. 30, 2005**

(51) **LOC (8) Cl.** ..... **03-01**

(52) **U.S. Cl.** ..... **D3/310**

(58) **Field of Classification Search** ..... D3/301-315,  
D3/276, 203, 294, 279; D11/156, 147; D24/226-227;  
D9/425, 700, 432-435, 420, 456, 760, 414;  
D12/133; 206/528; D6/436, 469, 407, 396,  
D6/475-476, 525; D19/75-78; D30/107;  
220/4.33; D34/19; D32/46; 226/643; D8/330;  
D7/620, 706, 409, 542; 229/162.1, 100,  
229/122

See application file for complete search history.

(56) **References Cited**

**U.S. PATENT DOCUMENTS**

- D264,245 S \* 5/1982 Olsen ..... D24/229
- D273,765 S \* 5/1984 Cillario ..... D9/761
- D277,965 S \* 3/1985 Terwilliger ..... D15/90
- D316,171 S \* 4/1991 Chatham et al. .... D3/304
- D436,537 S \* 1/2001 Robbins et al. .... D7/590
- D441,642 S \* 5/2001 Iliopoulos ..... D9/757
- D448,130 S \* 9/2001 Wagner ..... D32/53.1
- D482,830 S \* 11/2003 Kohn ..... D32/53.1
- D492,196 S \* 6/2004 Hyhlik et al. .... D9/737
- D515,438 S \* 2/2006 Baranowski et al. .... D9/737

**OTHER PUBLICATIONS**

Three (3) photocopies of pictures showing a conventional glue and solvent carrier.

Four (4) photocopies of pictures showing a conventional utility tray.

\* cited by examiner

*Primary Examiner*—Louis S. Zarfaz

*Assistant Examiner*—Eric L. Goodman

(57) **CLAIM**

The ornamental design for a plastic pipe fitter's tray, as shown and described.

**DESCRIPTION**

FIG. 1 is a top, front, right side perspective view of a plastic pipe fitter's tray embodying my design;

FIG. 2 is a rear elevational view thereof;

FIG. 3 is a top plan view thereof;

FIG. 4 is a front elevational view thereof;

FIG. 5 is a right side elevational view thereof;

FIG. 6 is a left side elevational view thereof;

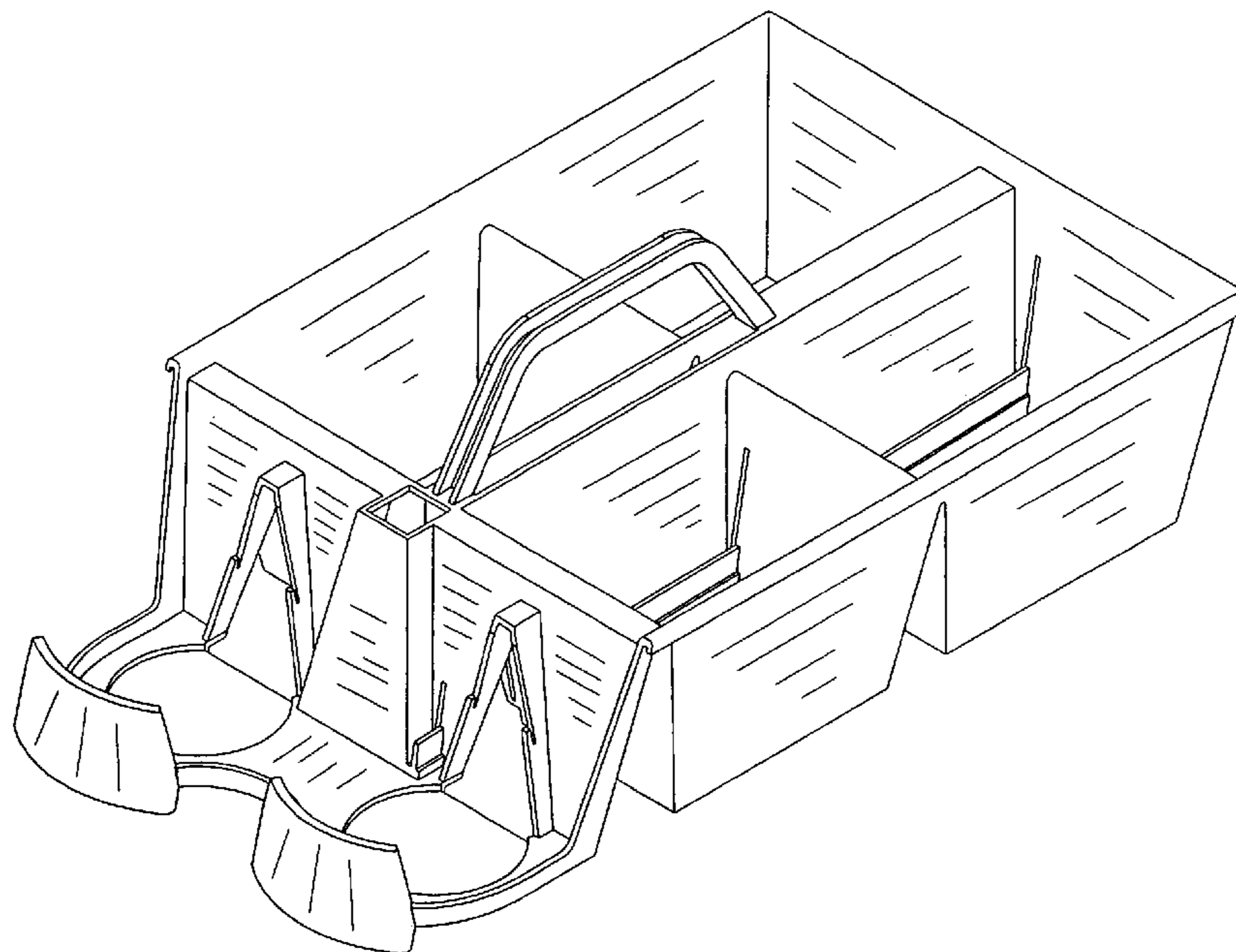
FIG. 7 is a bottom plan view thereof;

FIG. 8 is a cross-sectional view thereof along line 8—8 of FIG. 3;

FIG. 9 is a cross-sectional view thereof along line 9—9 of FIG. 3; and,

FIG. 10 is a cross-sectional view thereof along line 10—10 of FIG. 3.

**1 Claim, 5 Drawing Sheets**



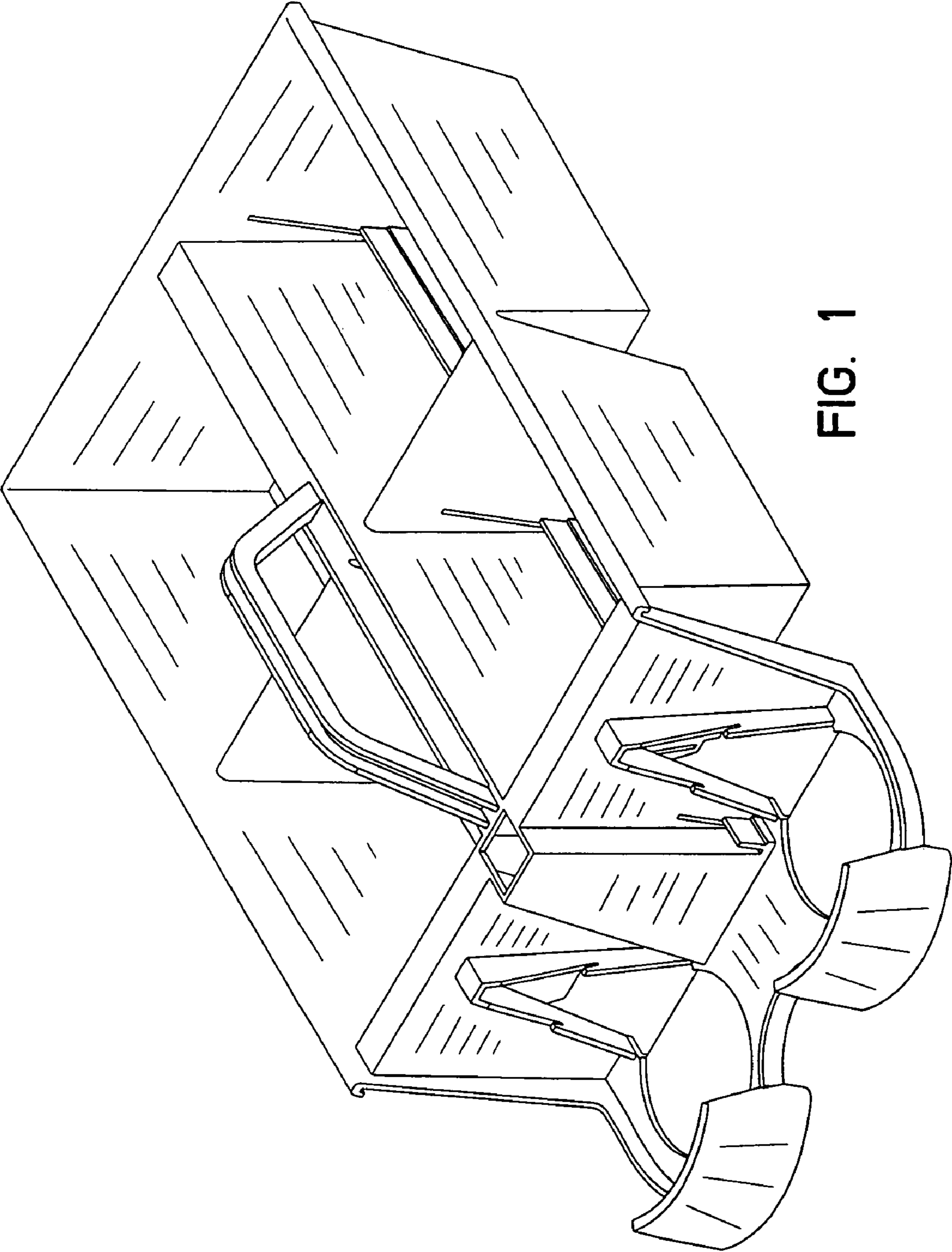


FIG. 1

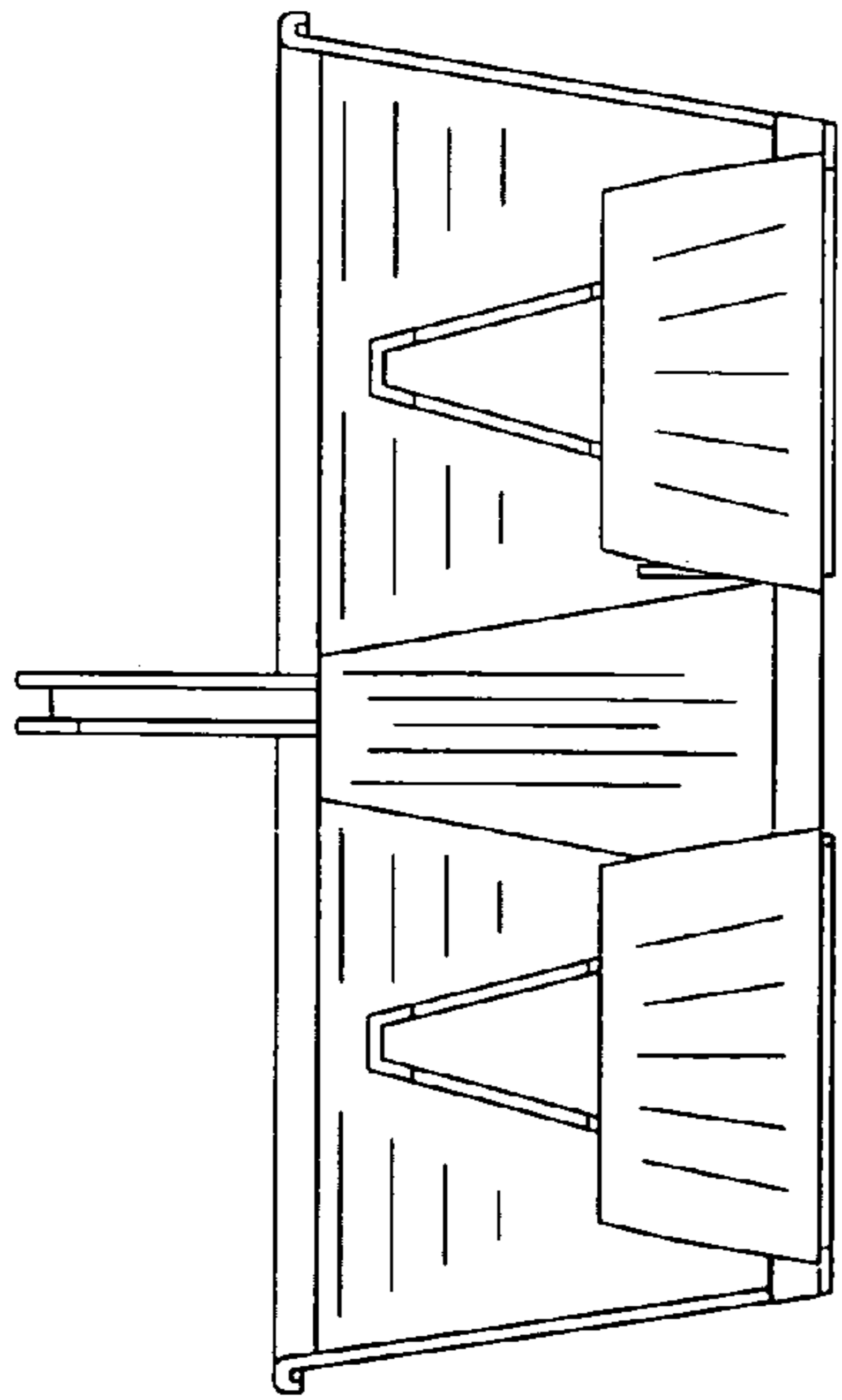


FIG. 4

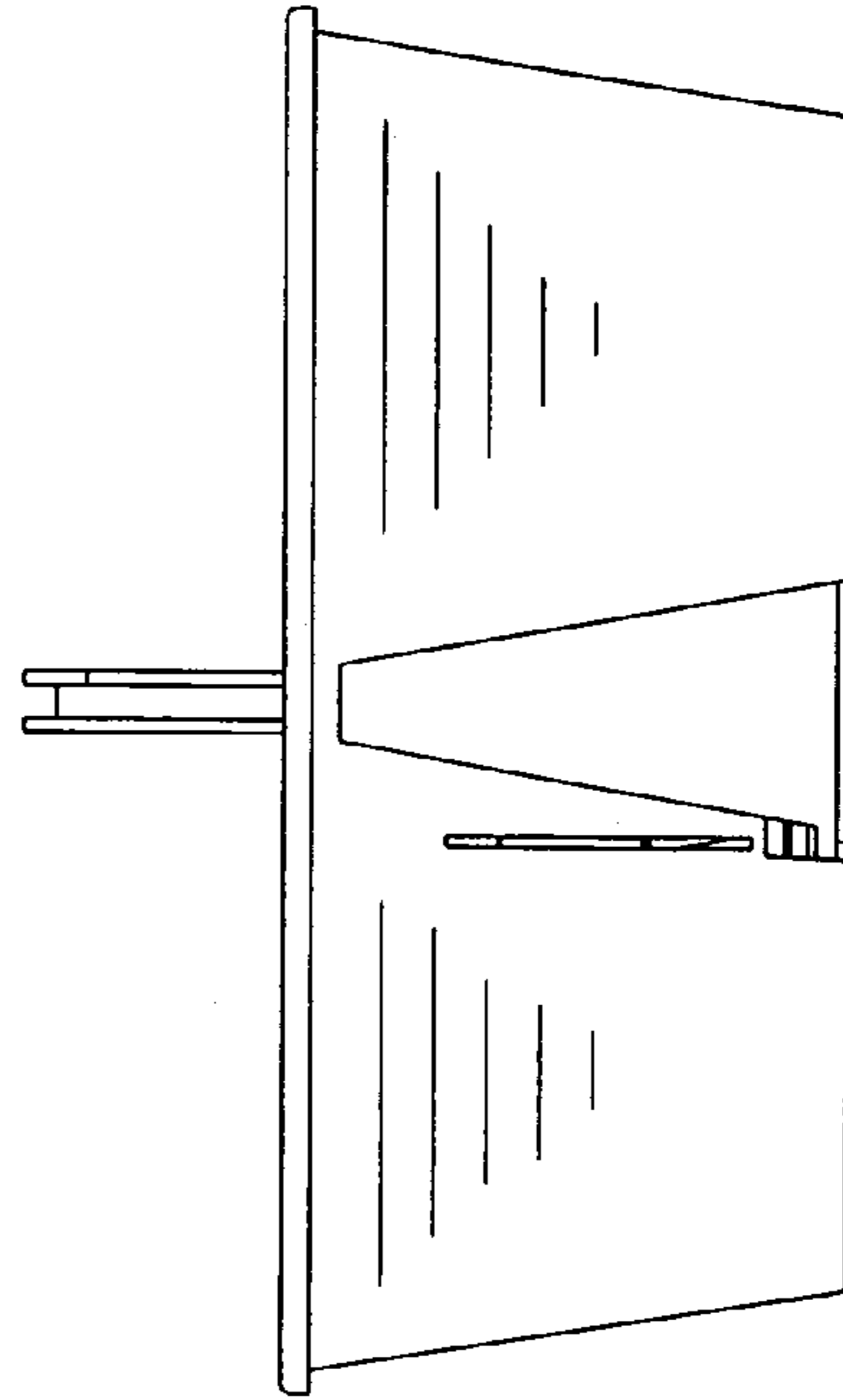


FIG. 2

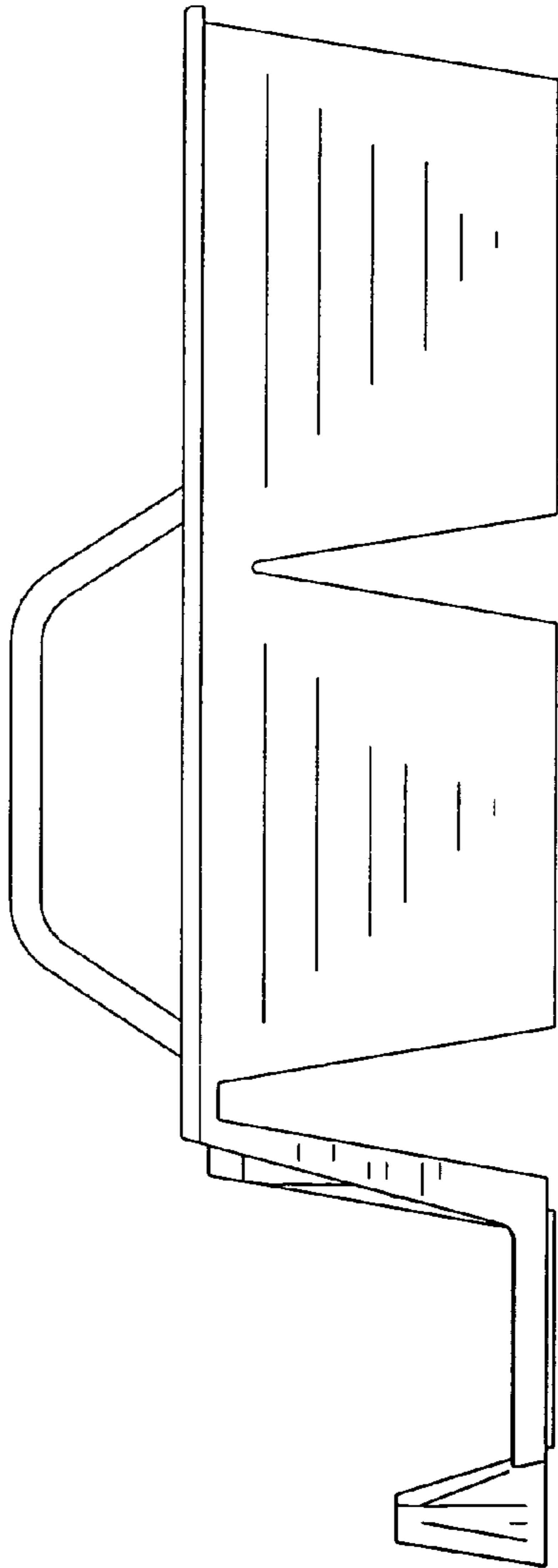


FIG. 5

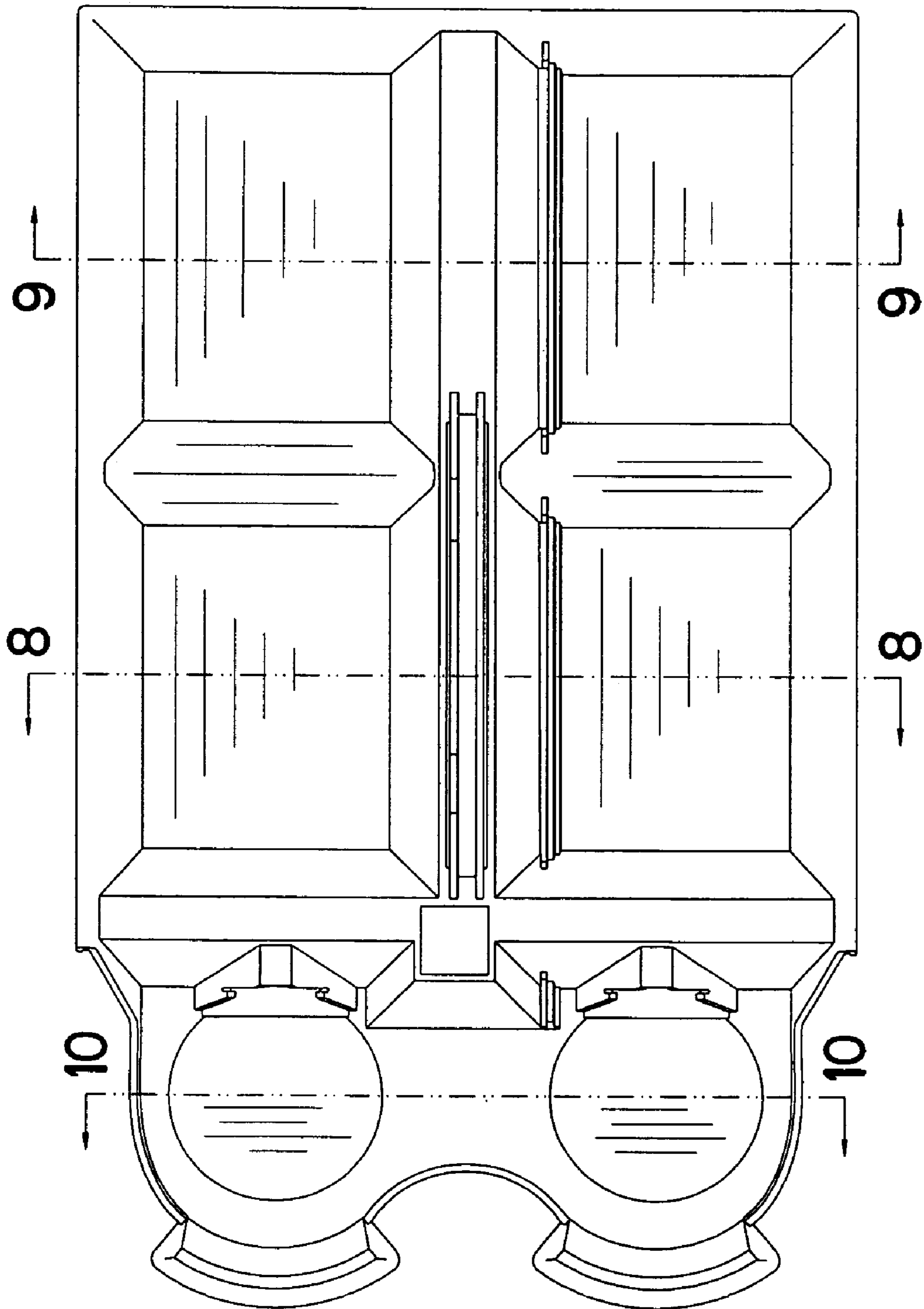


FIG. 3

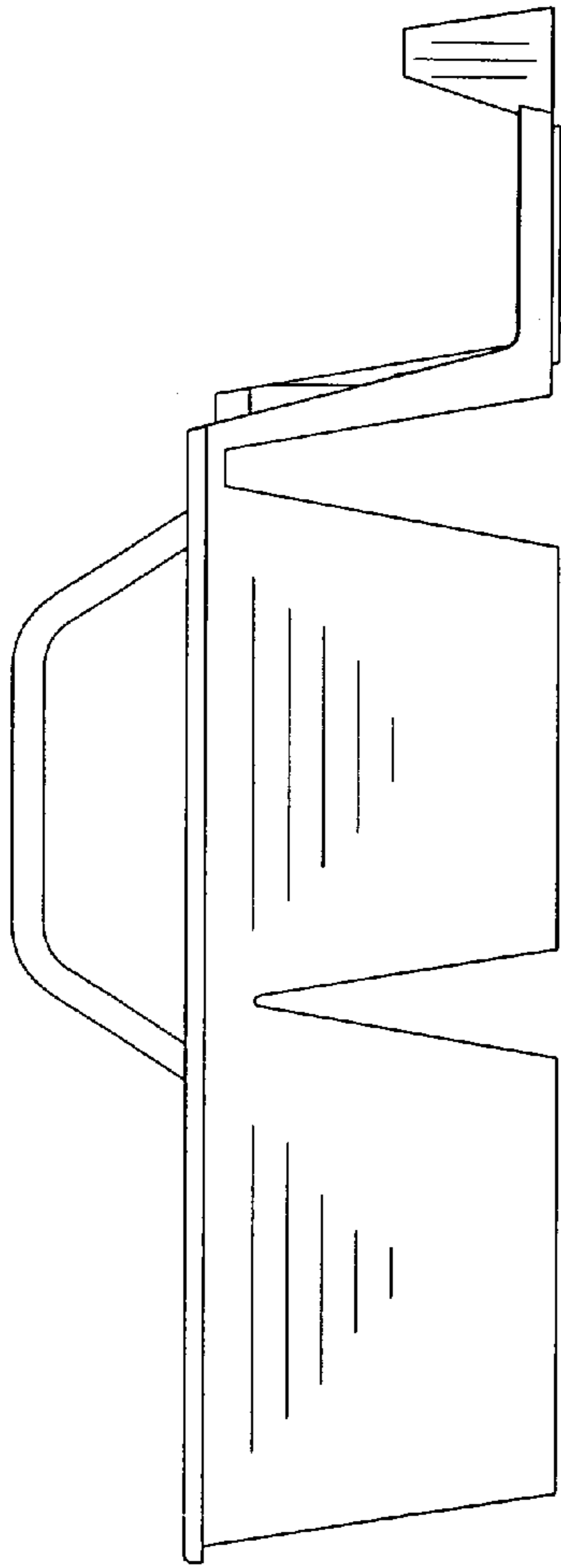


FIG. 6

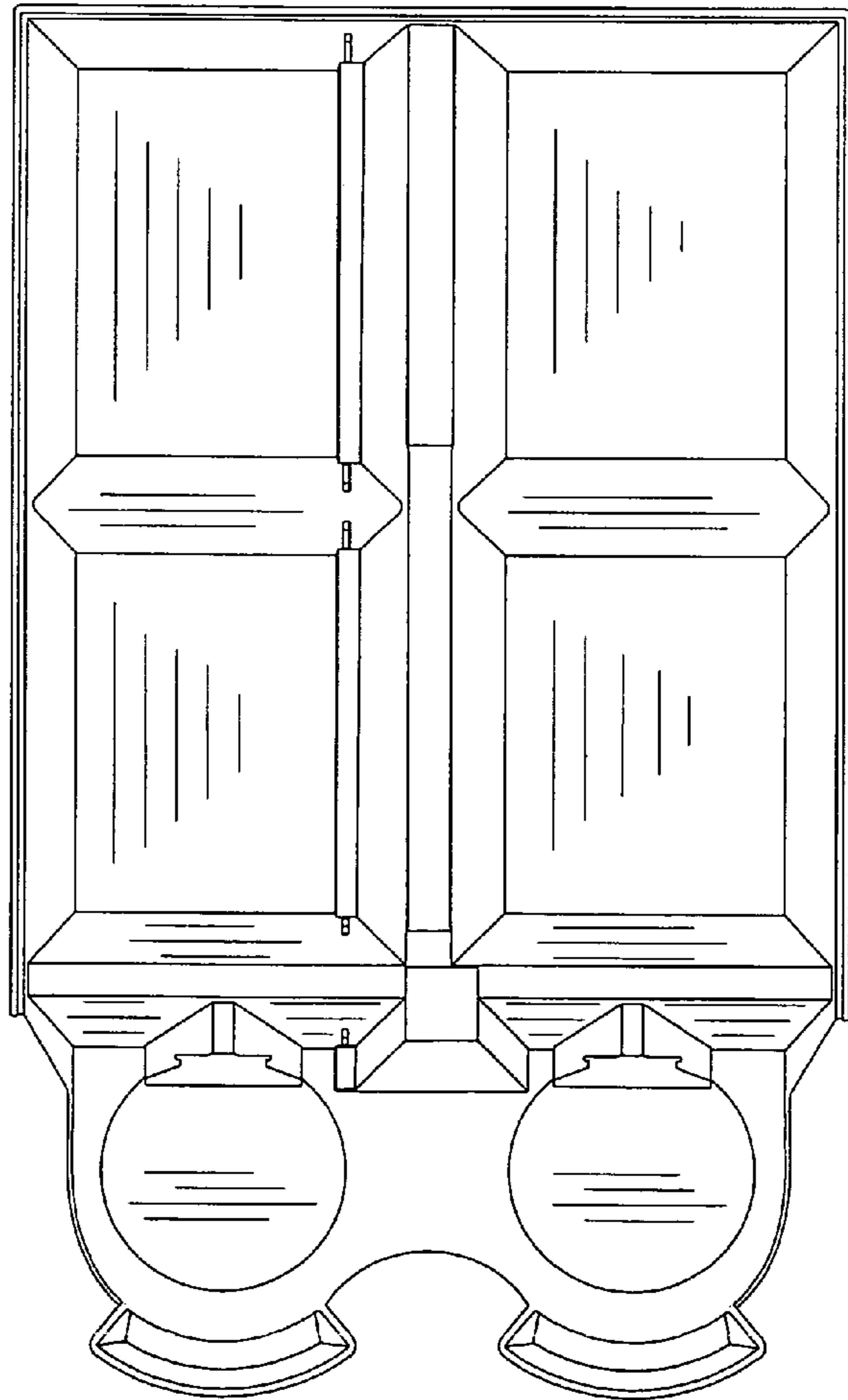


FIG. 7

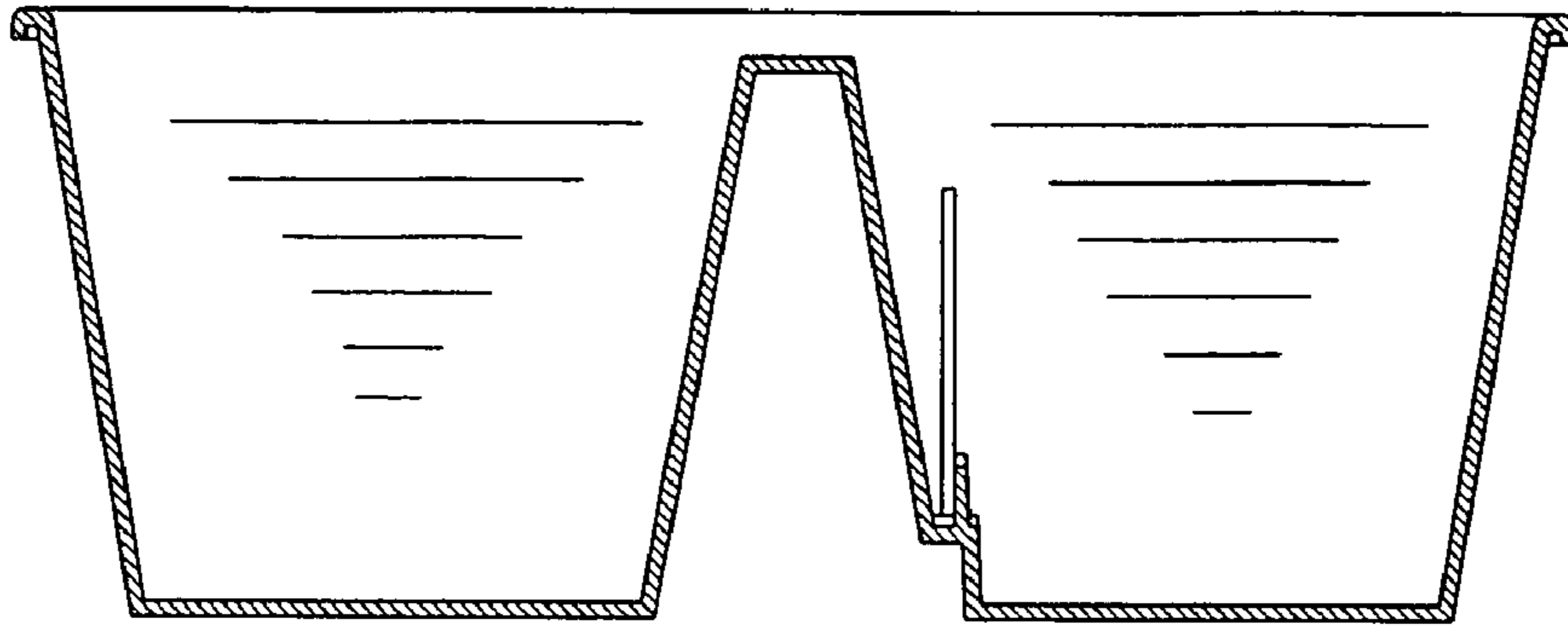


FIG. 9

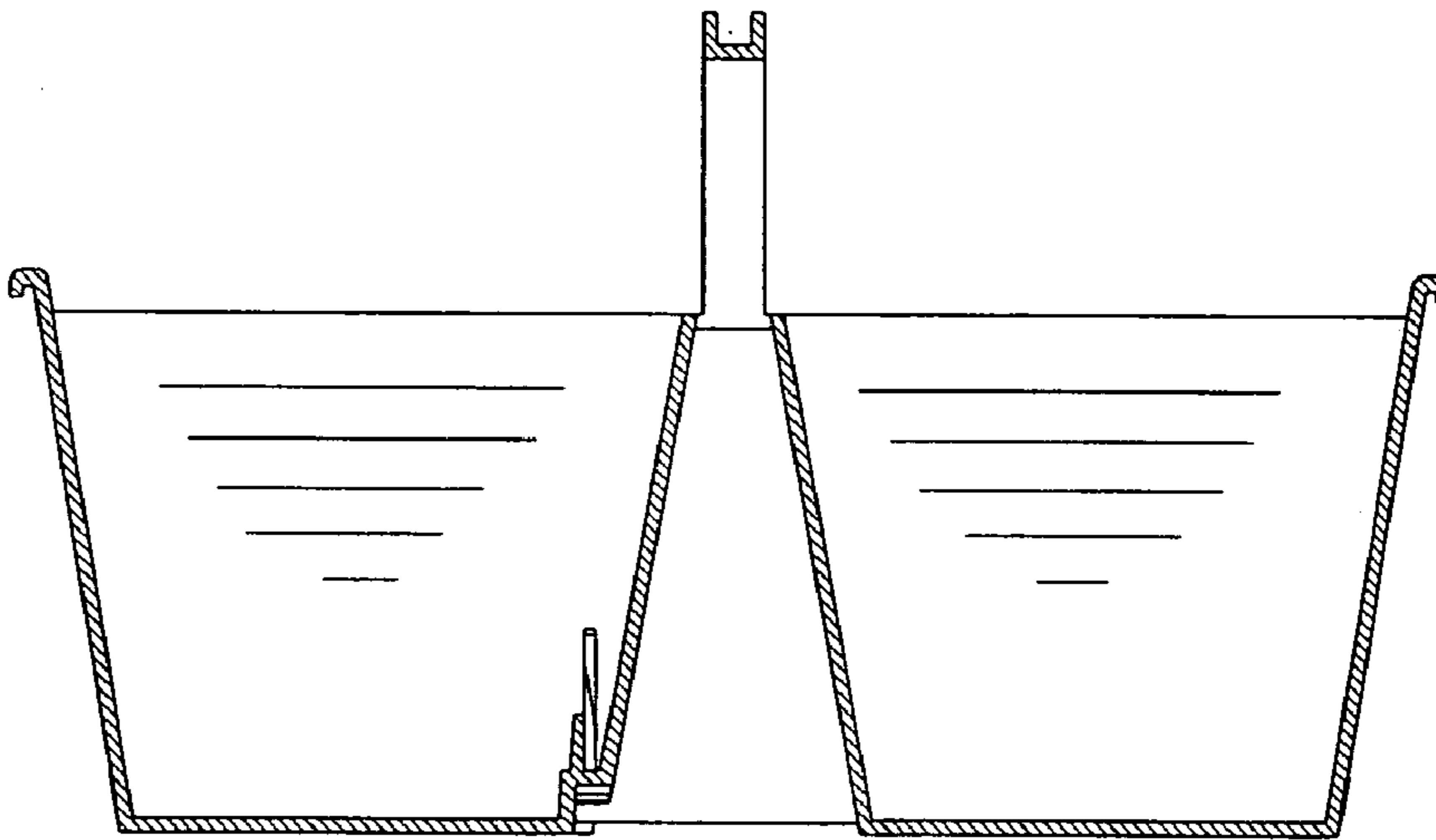


FIG. 8

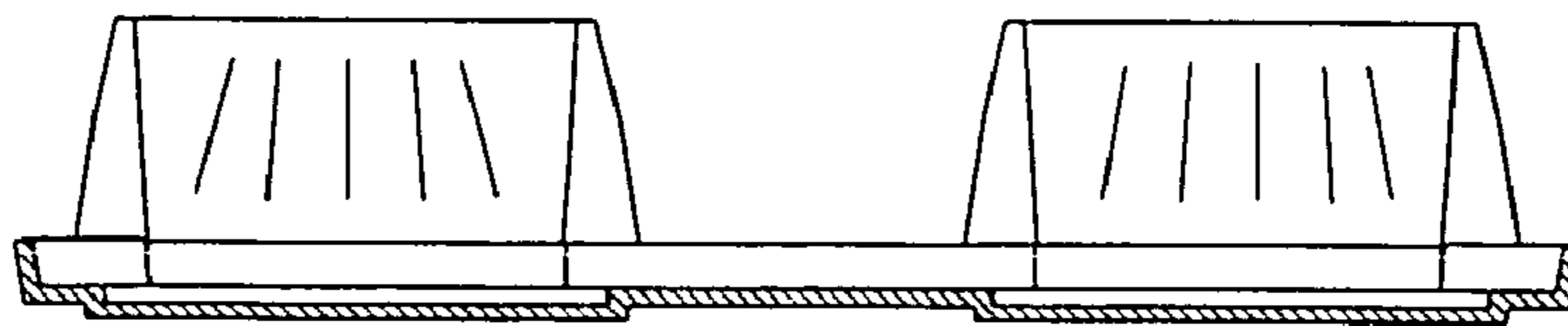


FIG. 10