

US00D546061S

(12) **United States Design Patent**
Jhuang

(10) **Patent No.:** **US D546,061 S**

(45) **Date of Patent:** **** Jul. 10, 2007**

(54) **CONTAINER**

D504,052 S * 4/2005 Wang D7/628
D512,805 S * 12/2005 Anderson D99/38

(75) Inventor: **Yu Chi Jhuang**, Taichung (TW)

OTHER PUBLICATIONS

(73) Assignee: **VPET International Group Co., Ltd.**,
Taichung County (TW)

U.S. Toy Company 2003 Catalog, p. 31, Dalmation bank BB74.*

* cited by examiner

(**) Term: **14 Years**

Primary Examiner—Sandra L. Morris

(21) Appl. No.: **29/234,126**

(74) *Attorney, Agent, or Firm*—Rosenberg, Klein & Lee

(22) Filed: **Jul. 14, 2005**

(57) **CLAIM**

(51) **LOC (8) Cl.** **03-01**

The ornamental design for a container, as shown.

(52) **U.S. Cl.** **D3/271.2; D9/601; D21/611;**
D21/655; D99/38

DESCRIPTION

(58) **Field of Classification Search** D3/270–271.2;
D7/599, 604, 613, 619.2, 628; D11/158;
D9/600–601, 607–609, 611, 613; D19/97;
D99/38; 206/457, 459.5, 822, 823; 220/890
See application file for complete search history.

FIG. 1 is a perspective view of container shown showing my new design;

FIG. 2 is a front elevational view thereof;

FIG. 3 is a rear elevational view thereof;

FIG. 4 is a left side view thereof;

FIG. 5 is a right side view thereof;

FIG. 6 is a top plain view thereof; and,

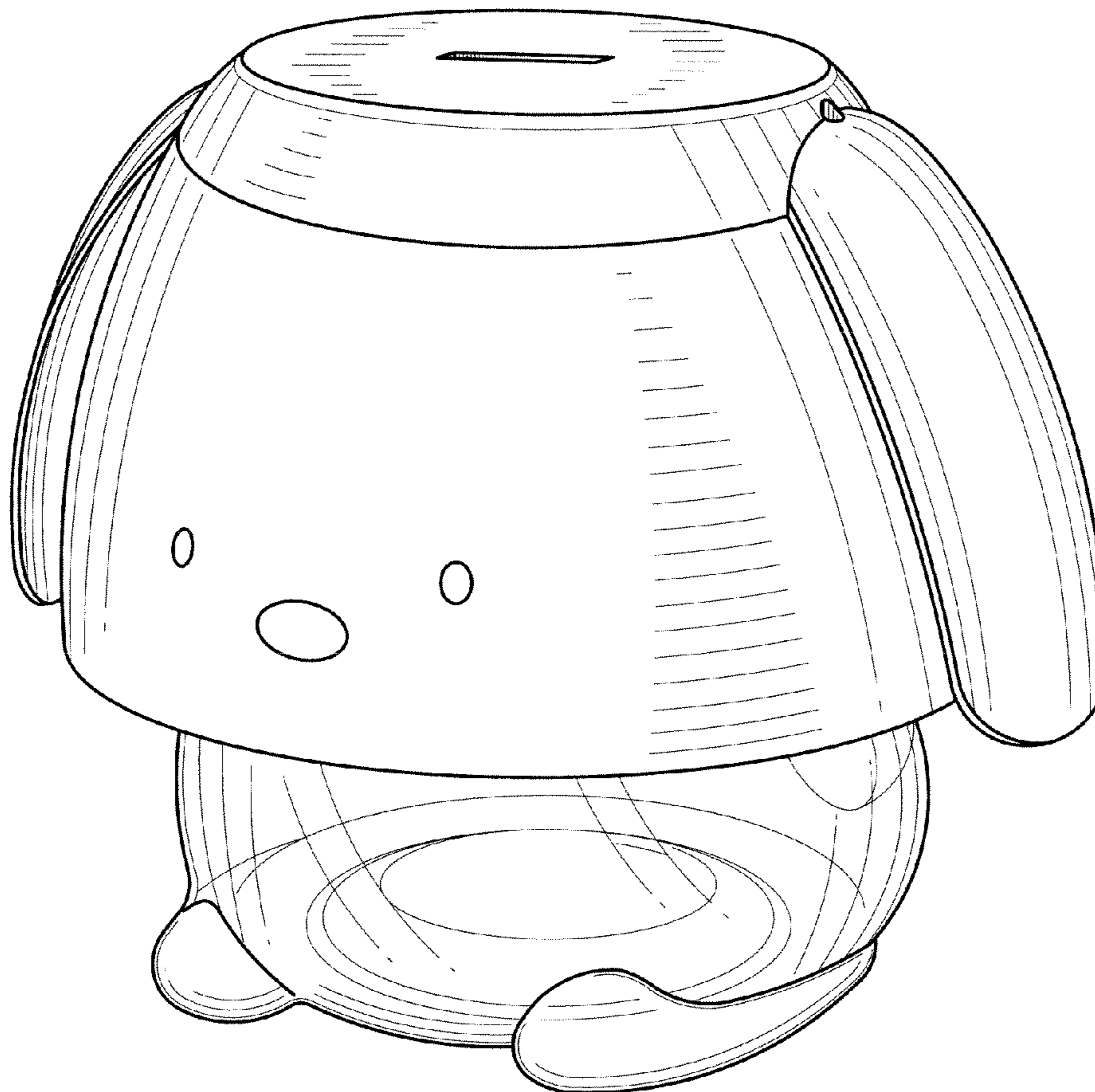
FIG. 7 is a bottom plain view thereof.

(56) **References Cited**

U.S. PATENT DOCUMENTS

D233,900 S * 12/1974 Stubbman D21/611
4,593,817 A * 6/1986 Ferrero 206/457
D302,940 S * 8/1989 Ferrero D9/613

1 Claim, 7 Drawing Sheets



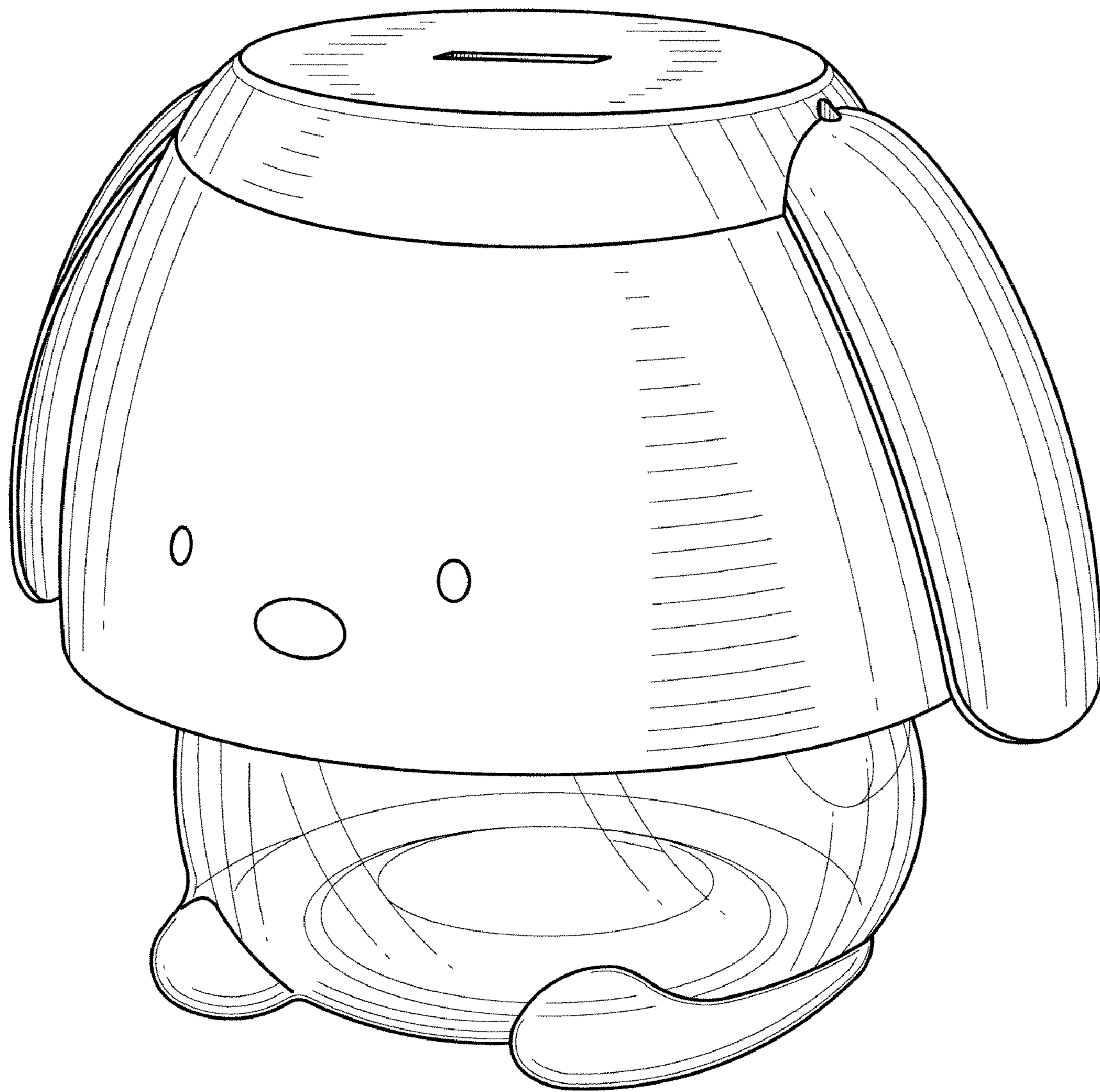


FIG. 1

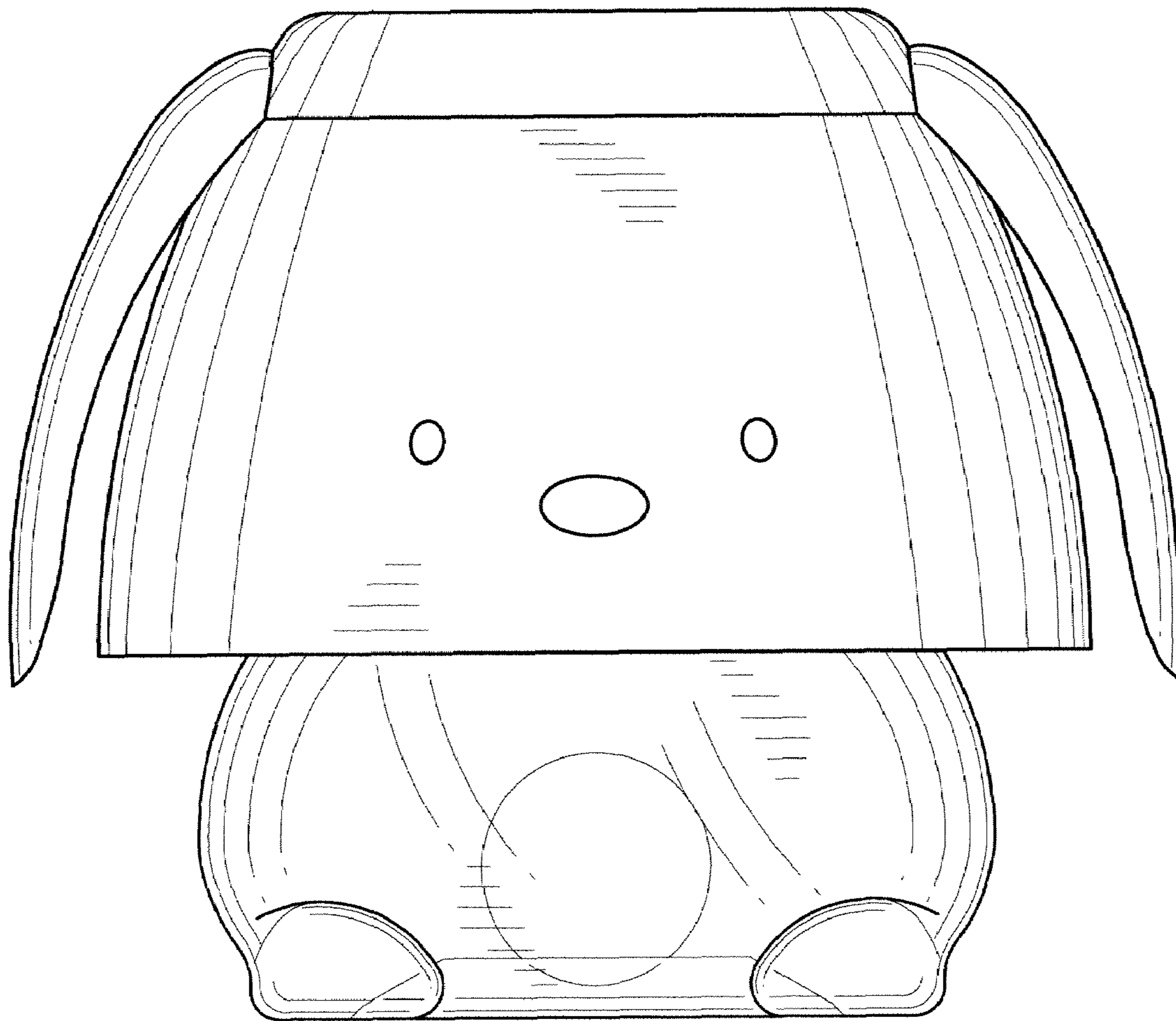


FIG. 2

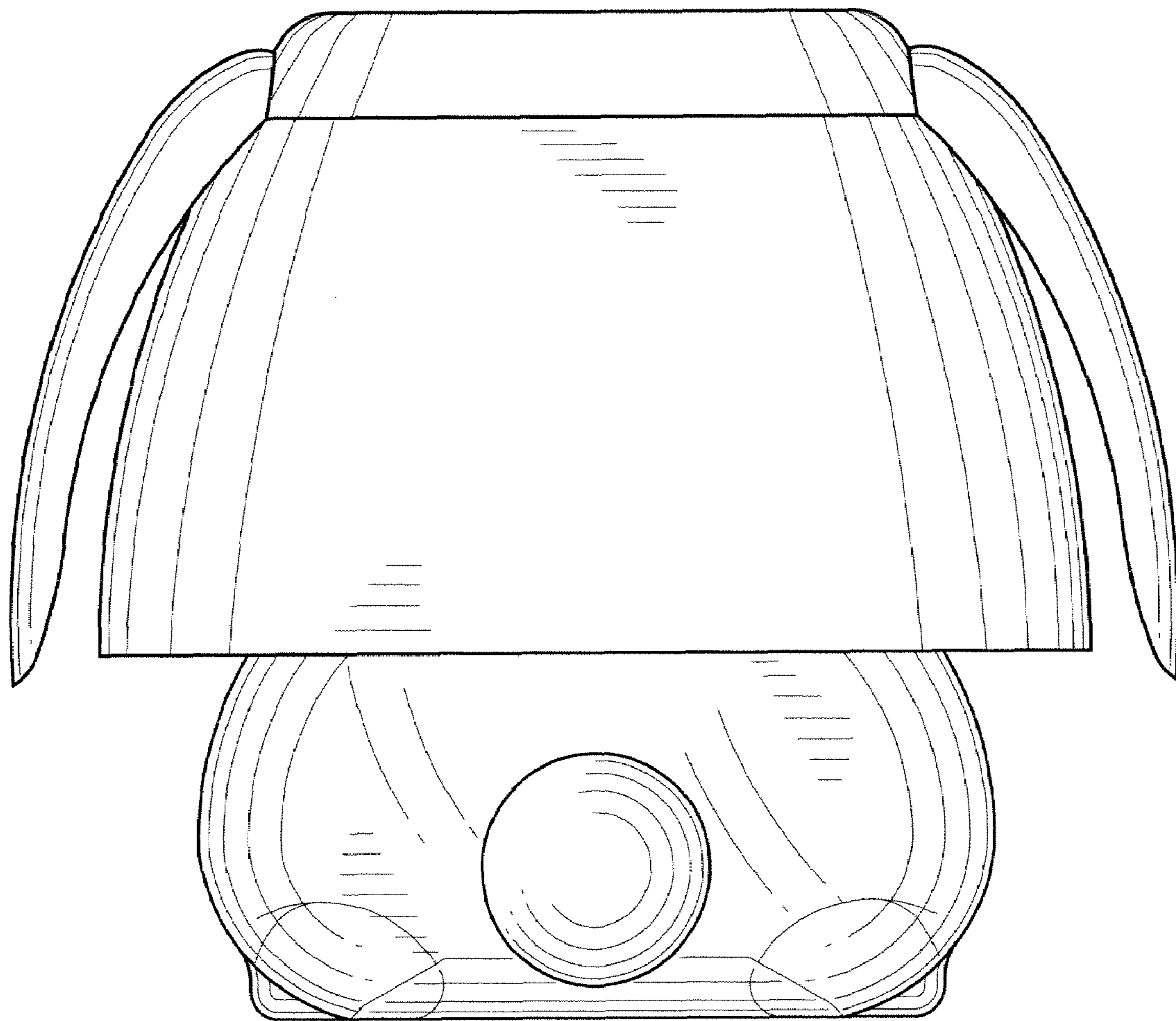


FIG. 3

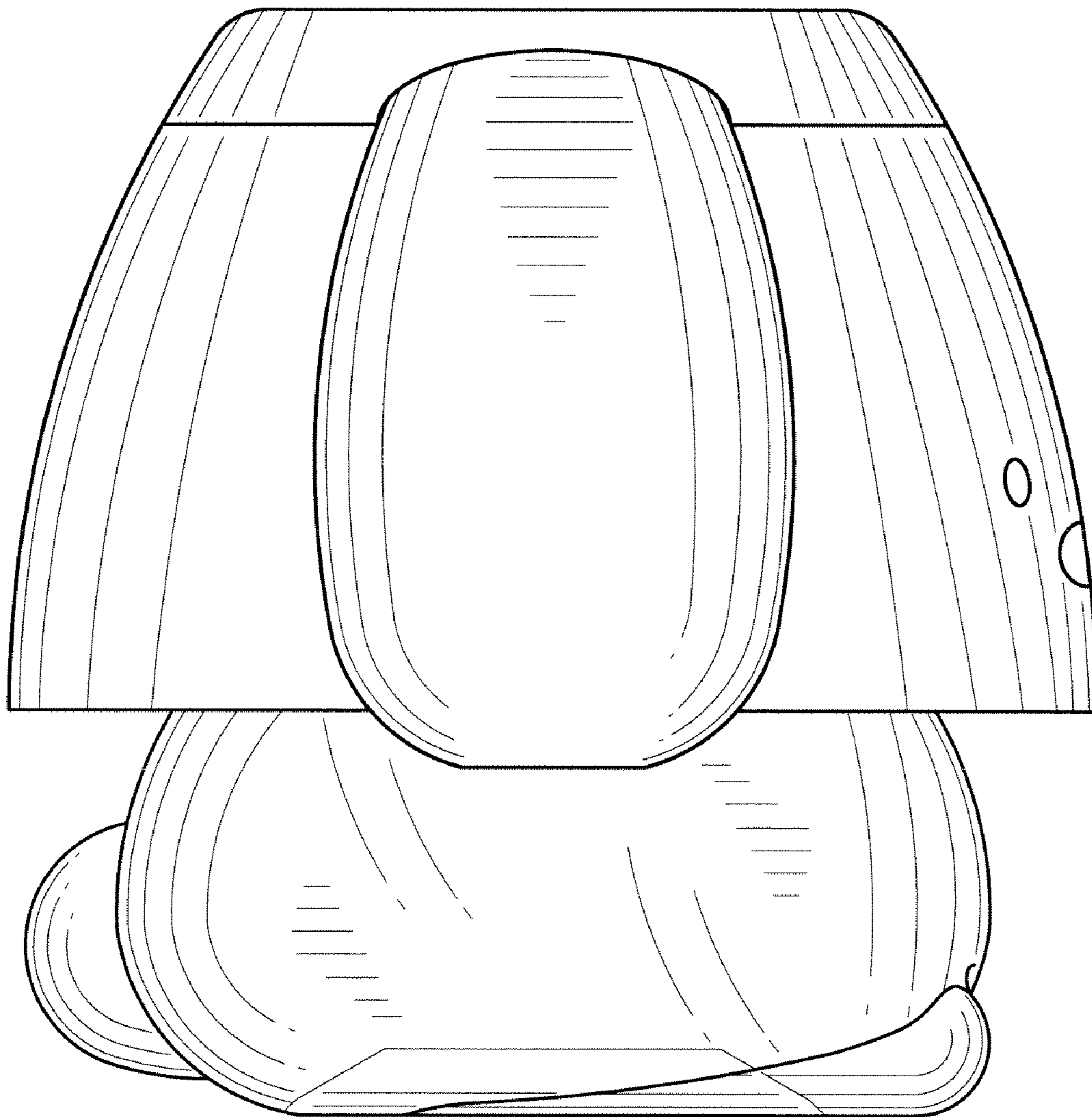


FIG. 4

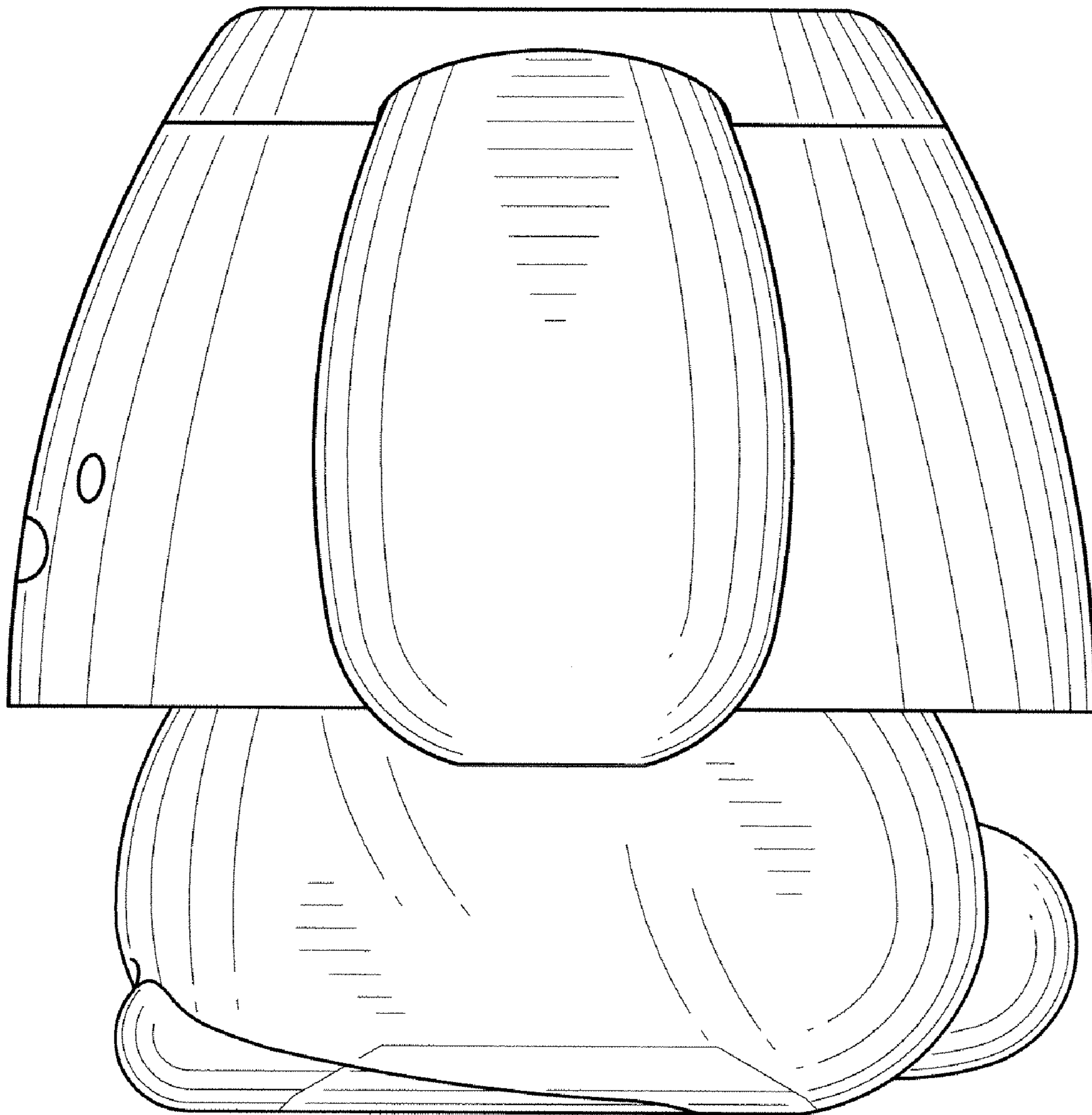


FIG. 5

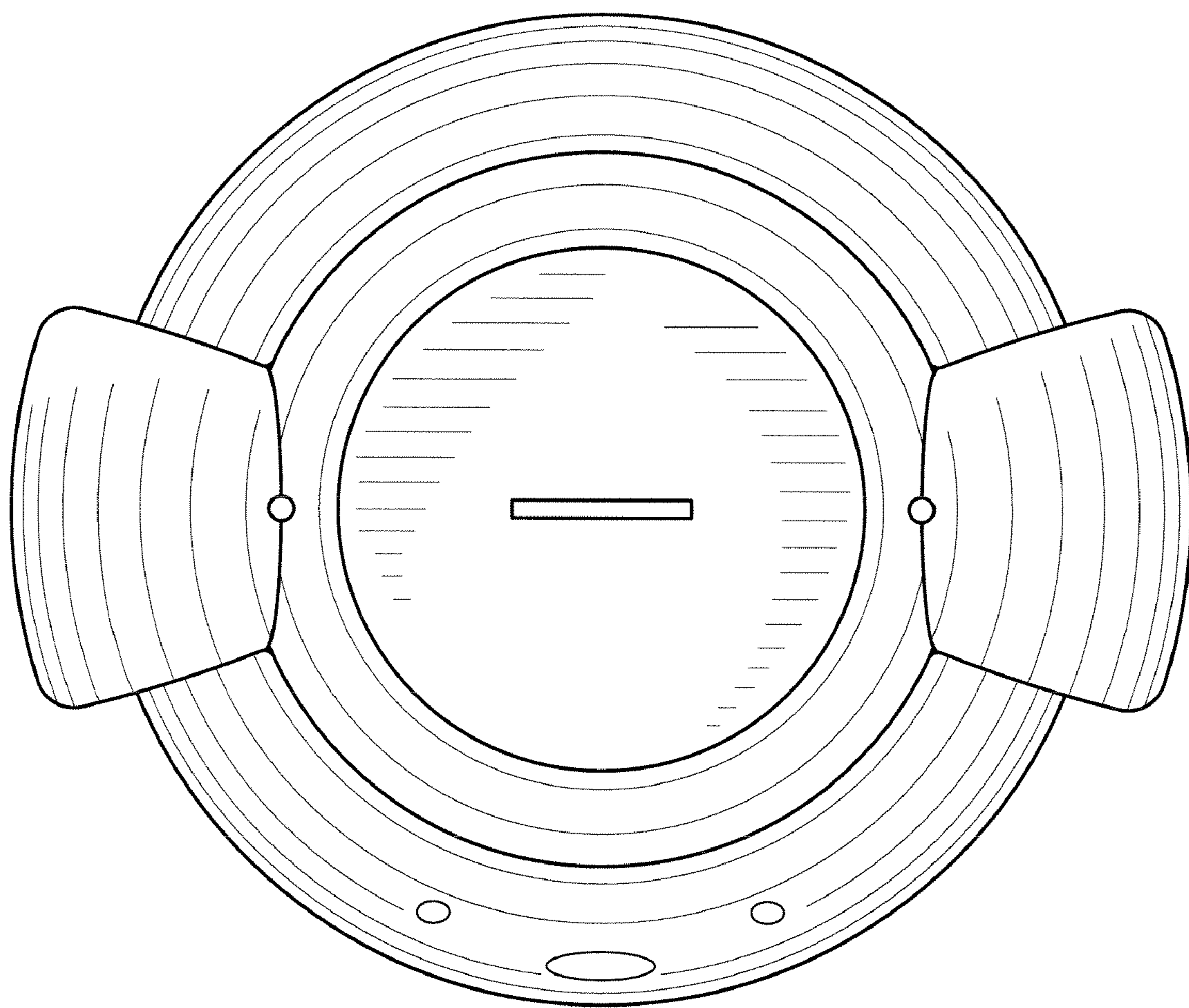


FIG. 6

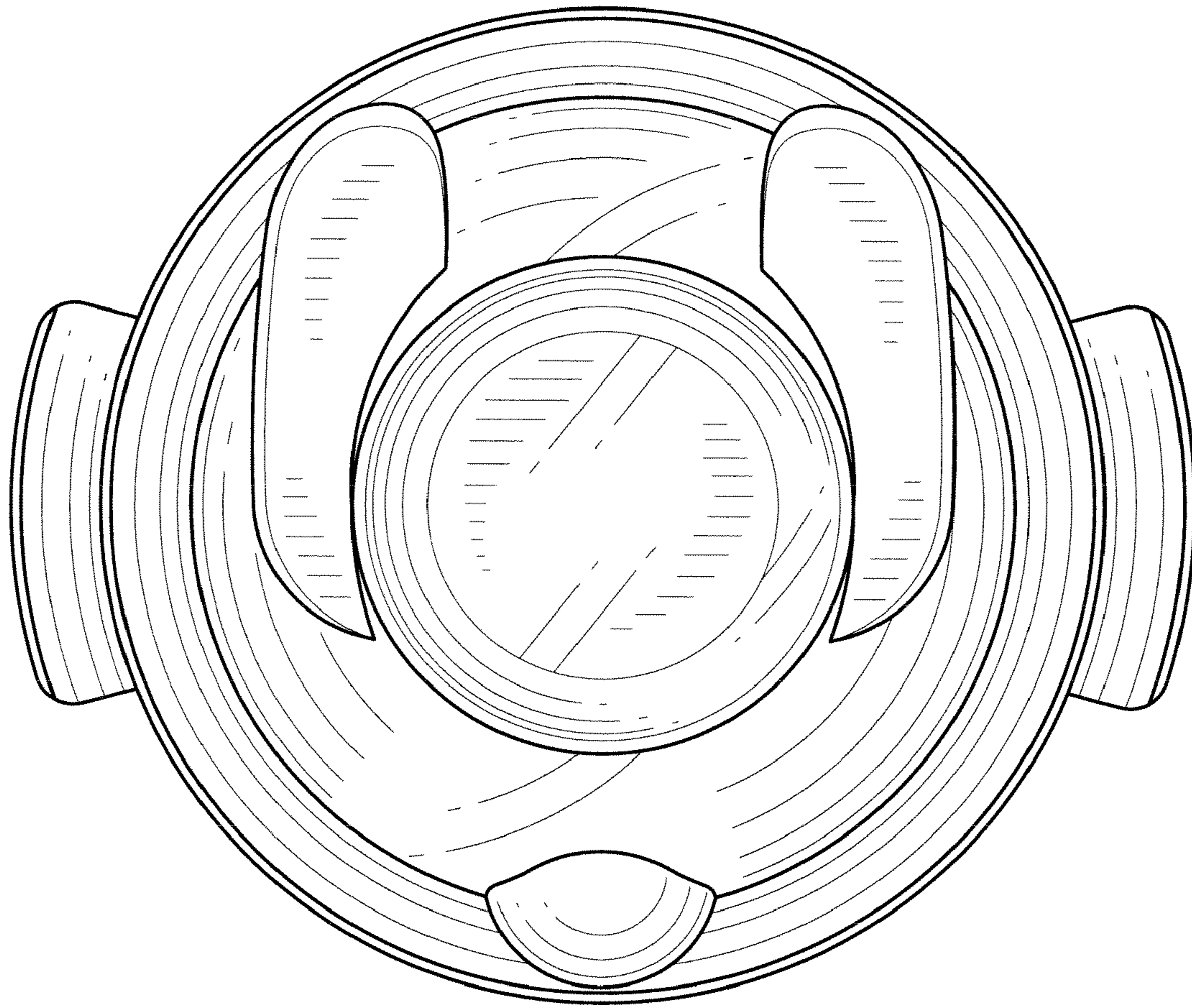


FIG. 7