

US00D546055S

(12) **United States Design Patent**
Sinvani

(10) **Patent No.:** **US D546,055 S**
(45) **Date of Patent:** **** Jul. 10, 2007**

(54) **BOX**

(57) **CLAIM**

(75) **Inventor:** **Marlene Corydon Sinvani,**
Espergaerde (DK)

The ornamental design for a box, as shown and described.

(73) **Assignee:** **Coloplast A/S,** Humlebaek (DK)

DESCRIPTION

(**) **Term:** **14 Years**

(21) **Appl. No.:** **29/257,312**

(22) **Filed:** **Apr. 3, 2006**

(30) **Foreign Application Priority Data**

Mar. 10, 2005 (EM) 000409552

(51) **LOC (8) Cl.** **03-01**

(52) **U.S. Cl.** **D3/203.1**

(58) **Field of Classification Search** D3/203.1,
D3/294, 201, 205; D9/419-420, 520-521;
206/63.5; 242/137, 137.1, 138; D28/66-68
See application file for complete search history.

FIG. 1 is a front perspective view showing my new design for a box,

FIG. 2 is a bottom perspective view thereof,

FIG. 3 is a top view thereof,

FIG. 4 is a bottom view thereof,

FIG. 5 is a front view thereof,

FIG. 6 is a rear view thereof,

FIG. 7 is a left side view thereof,

FIG. 8 is a top view of my new design for a box in an open position, the portion shown in dotted lines is for illustrative purposes only,

FIG. 9 is a bottom view thereof, the portion shown in dotted lines is for illustrative purposes only,

FIG. 10 is a bottom view thereof,

FIG. 11 is a top view thereof, the portion shown in dotted lines is for illustrative purposes only,

FIG. 12 is a right side view thereof, the portion shown in dotted lines is for illustrative purposes only; and,

FIG. 13 is a left side view thereof, the portion shown in dotted lines is for illustrative purposes only.

(56) **References Cited**

U.S. PATENT DOCUMENTS

D257,790 S * 1/1981 Kesling D3/203.1
D475,282 S * 6/2003 Snaith et al. D9/420
D493,576 S * 7/2004 Ward D28/66
D510,461 S * 10/2005 Vu D28/66

* cited by examiner

Primary Examiner—Catherine R. Oliver

(74) *Attorney, Agent, or Firm*—Jacobson Holman PLLC

1 Claim, 8 Drawing Sheets

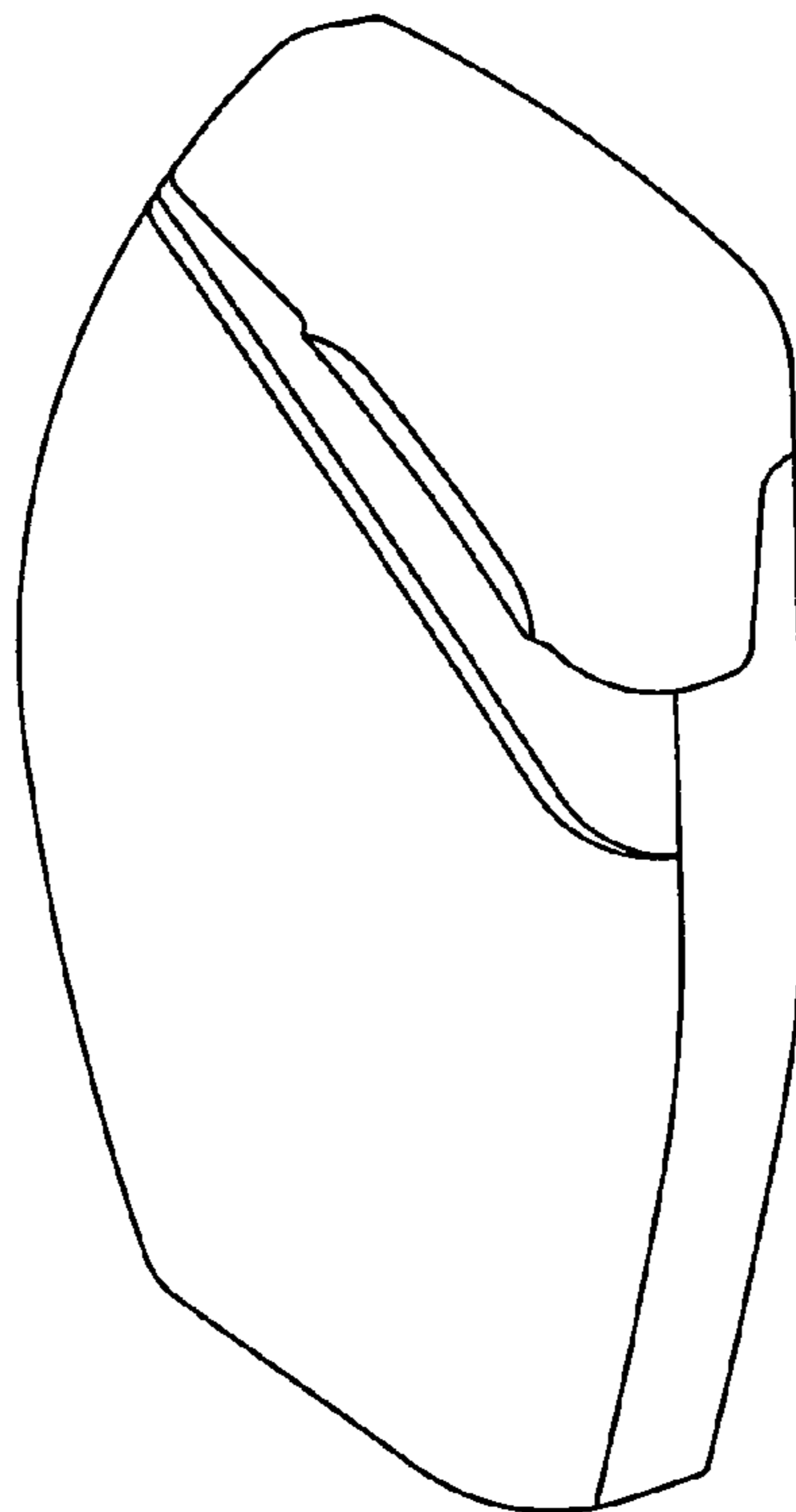


FIG. 1

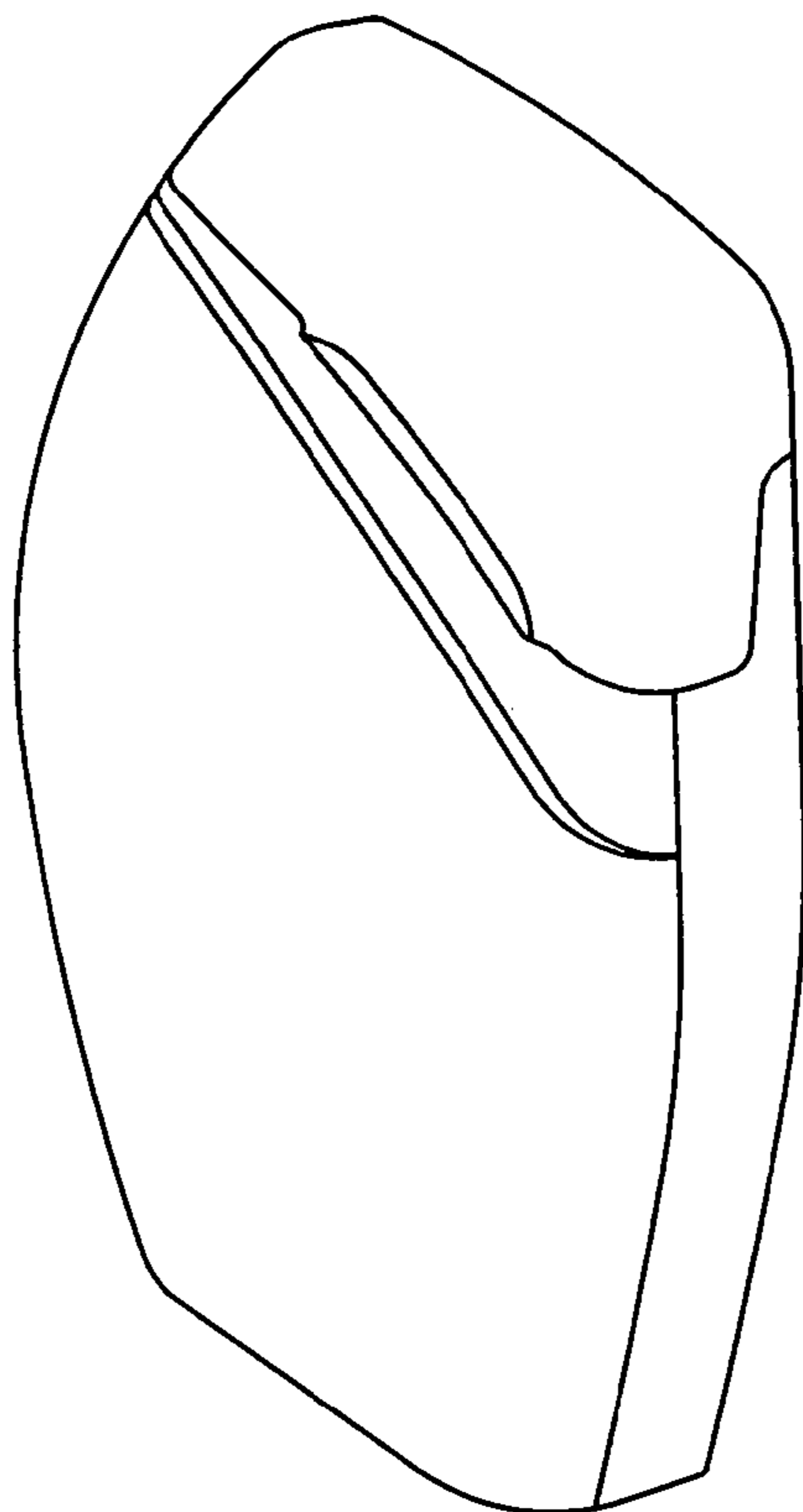


FIG. 2

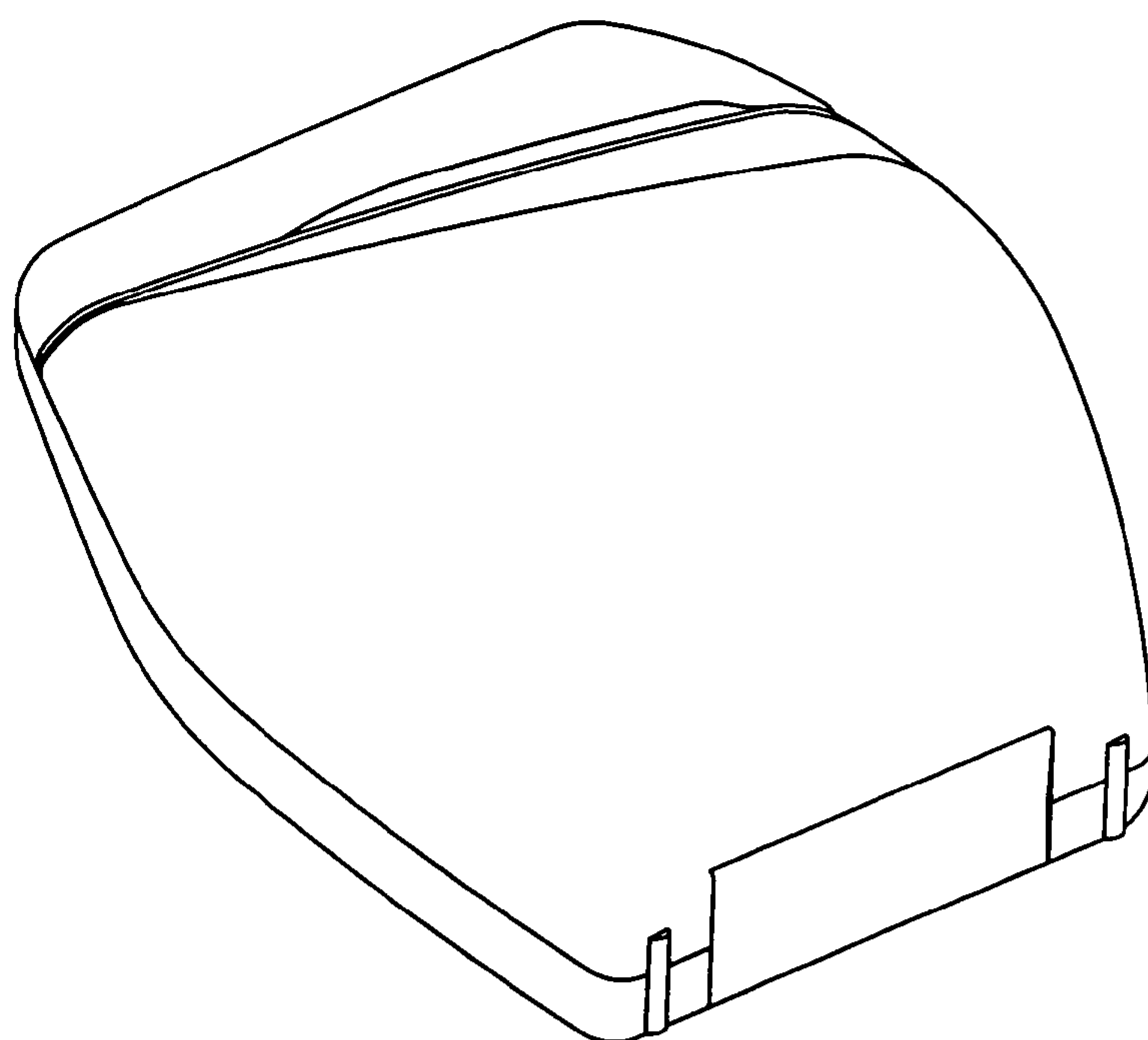


FIG. 3

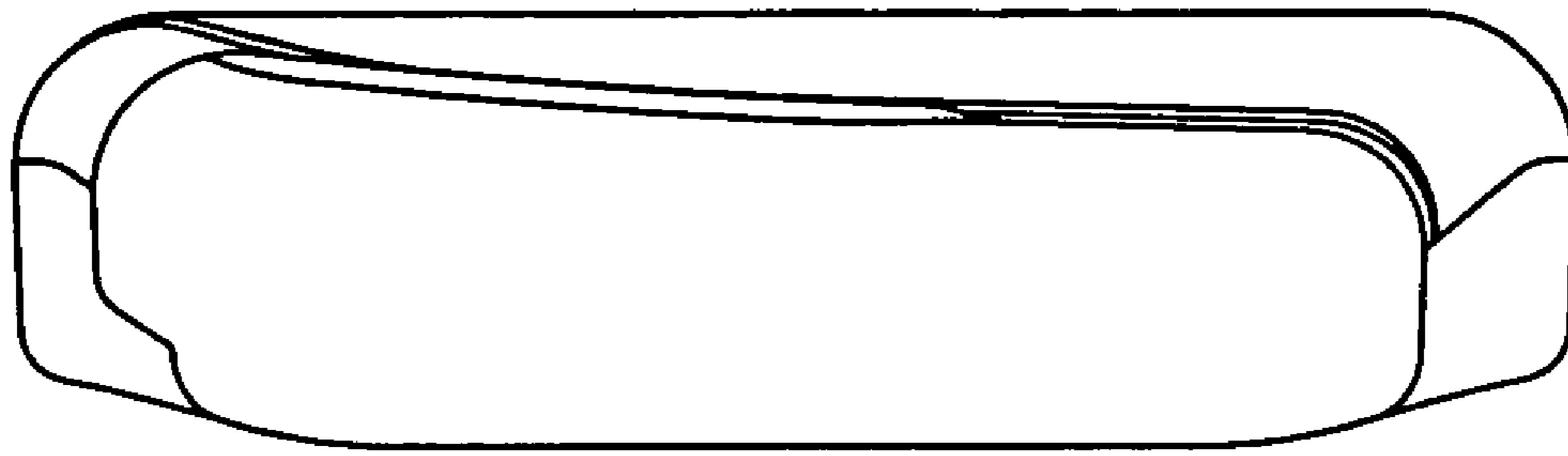


FIG. 4

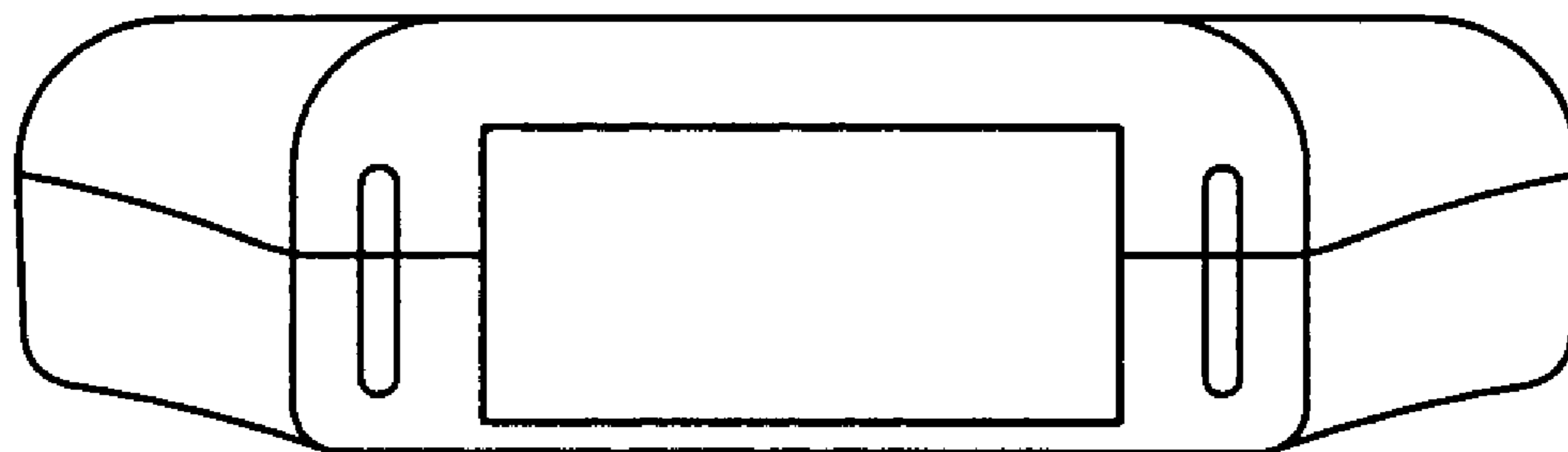


FIG. 5

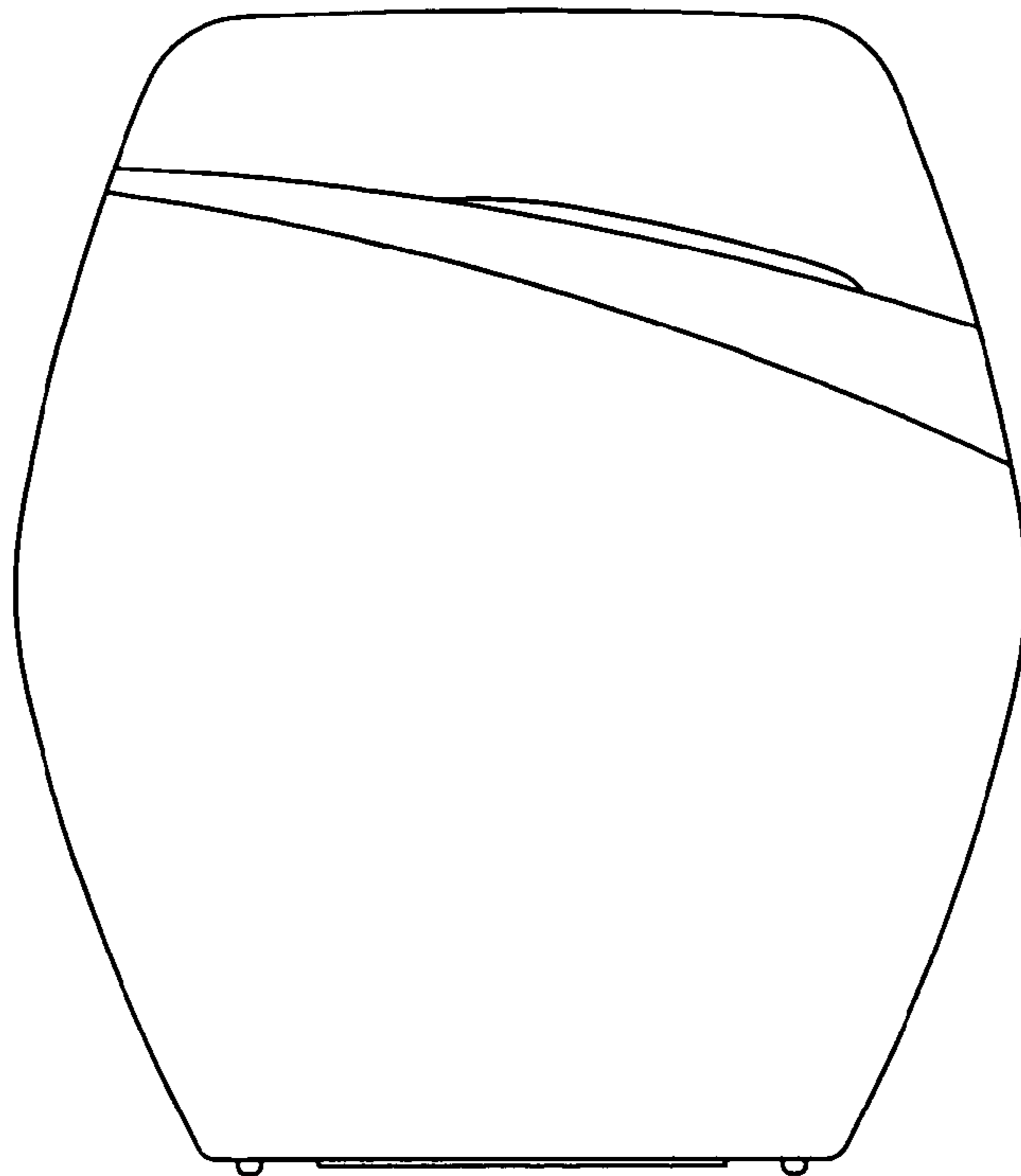


FIG. 6

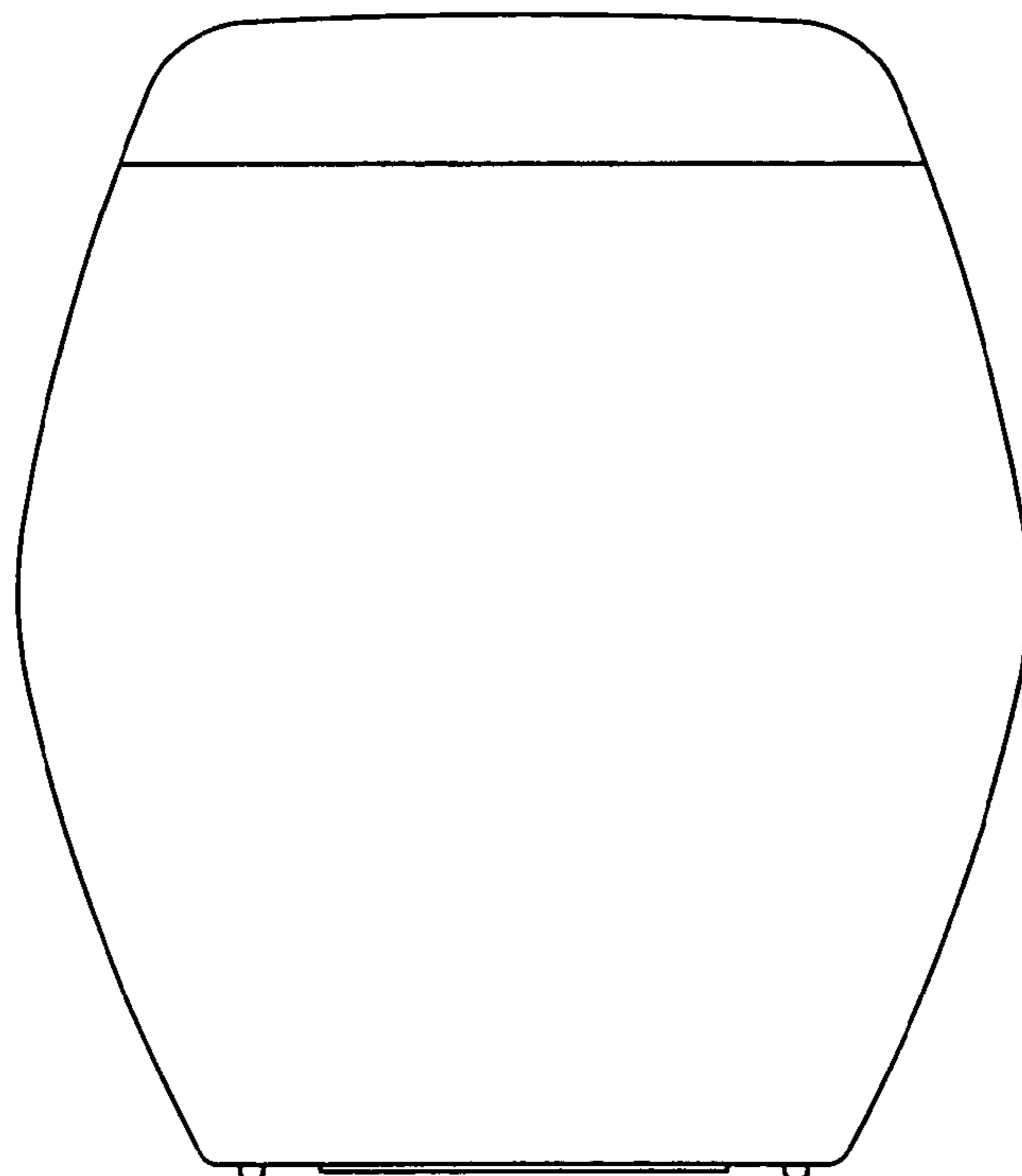


FIG. 7

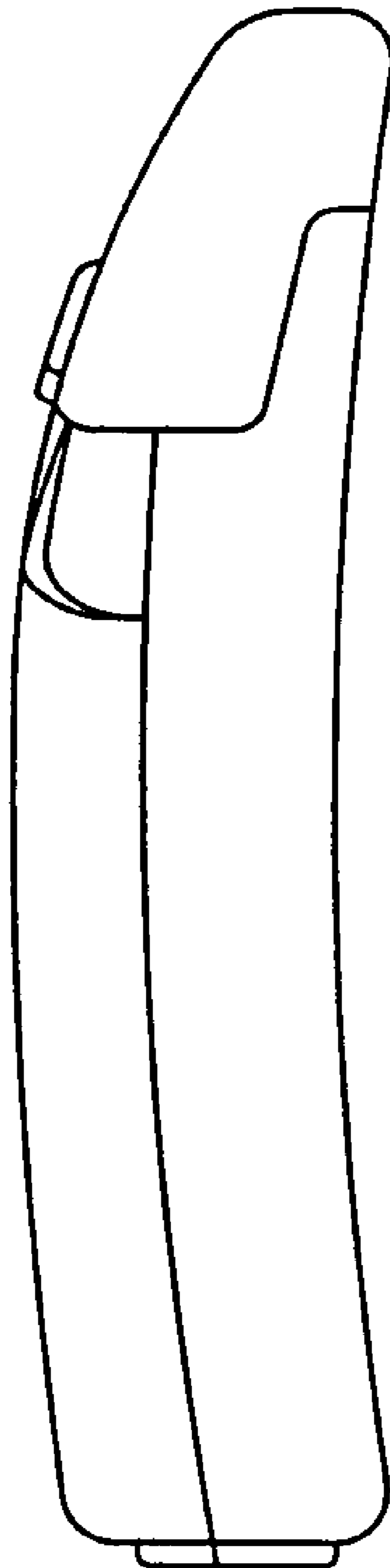


FIG. 8

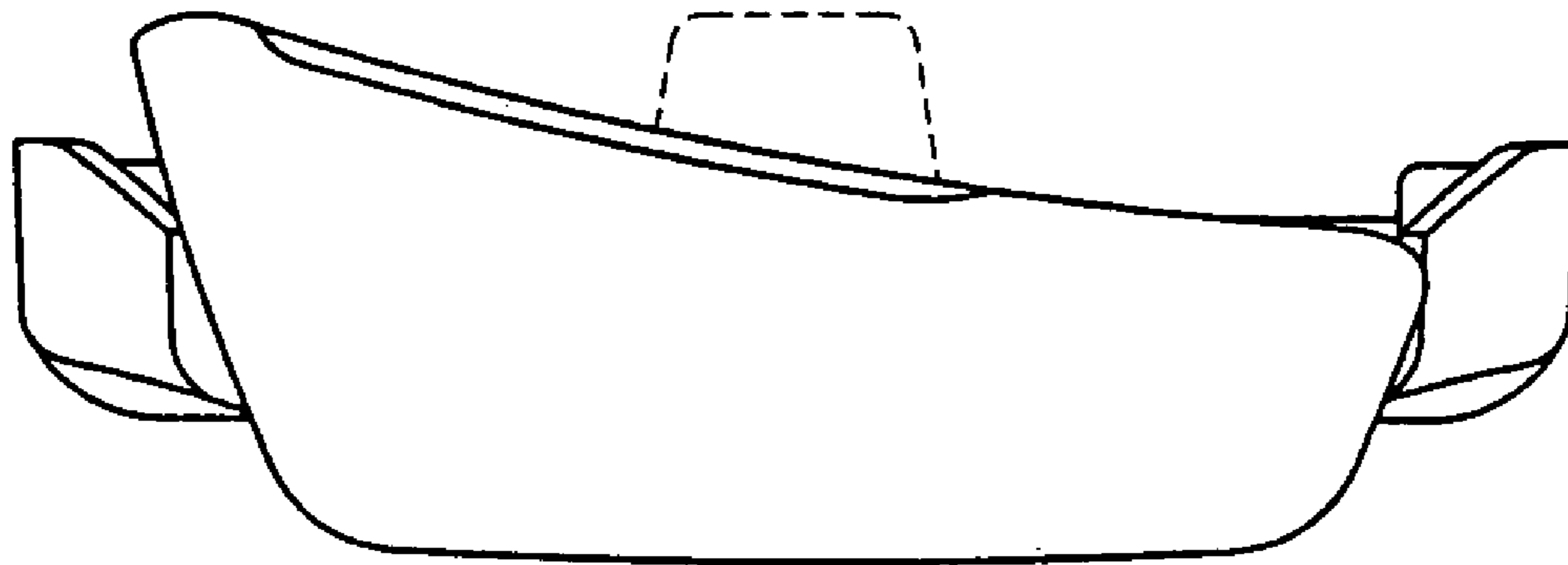


FIG. 9

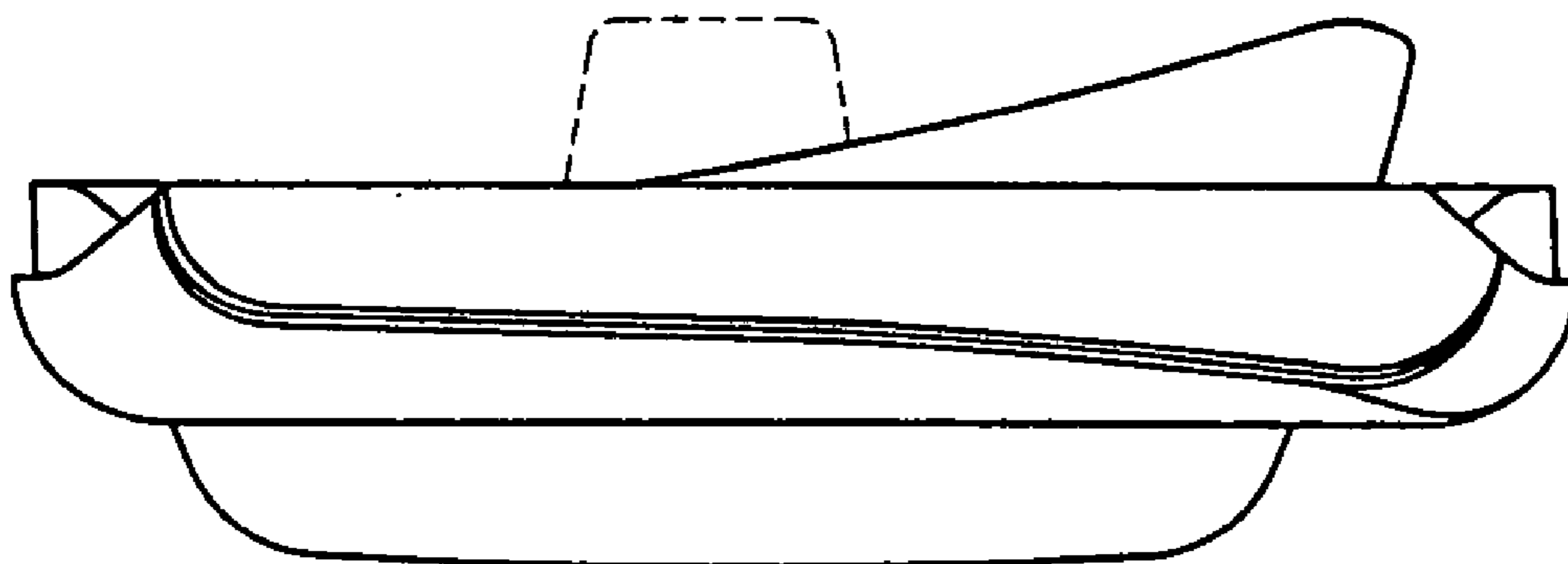


FIG. 10

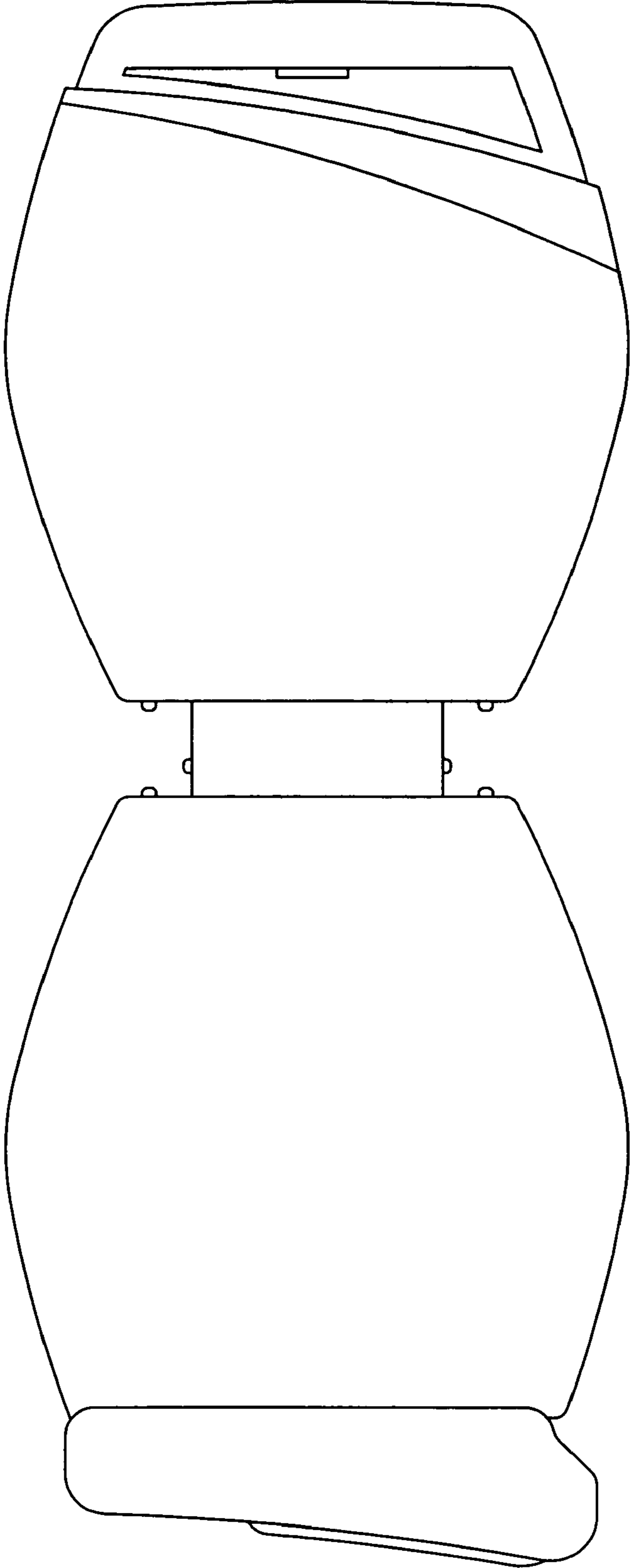


FIG. 11

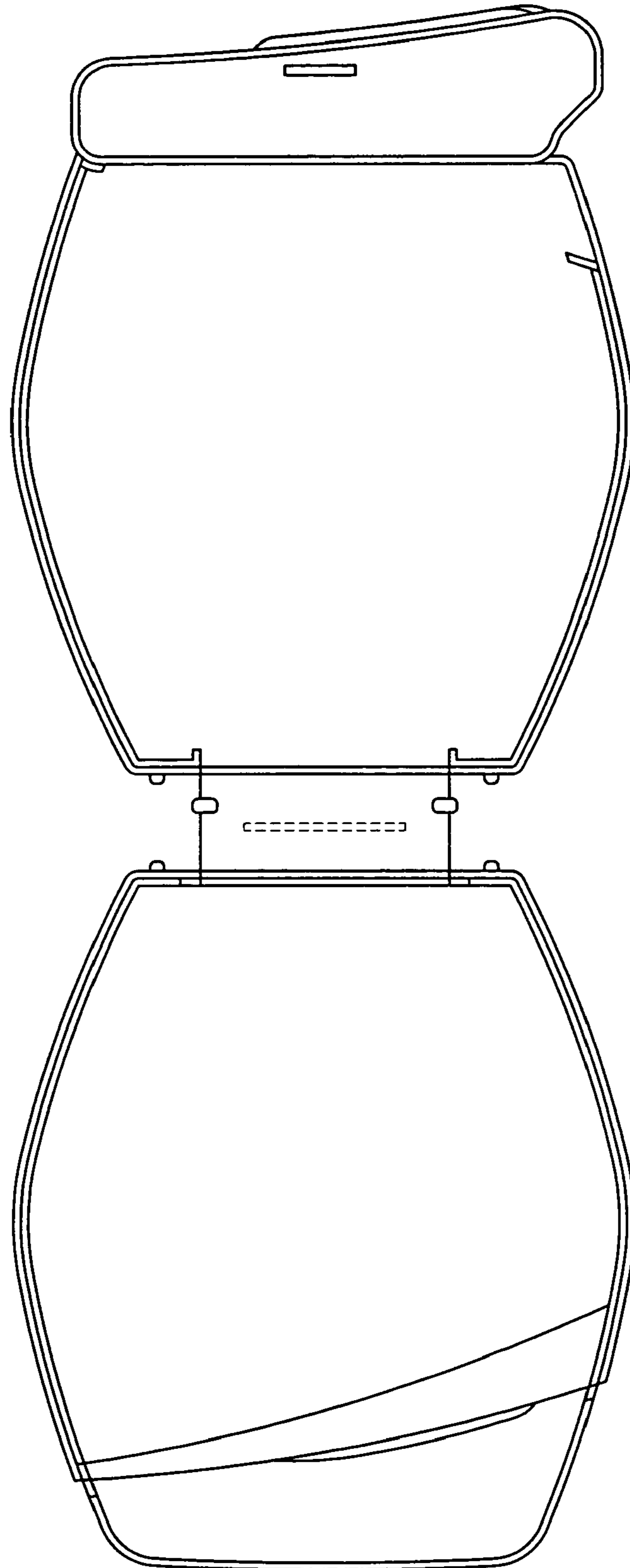


FIG. 12

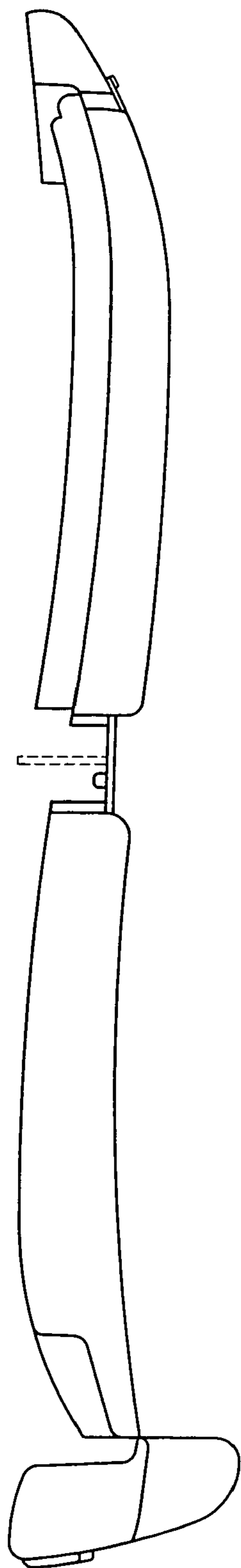


FIG. 13

