

US00D546030S

(12) **United States Design Patent**
Wilson et al.

(10) **Patent No.:** **US D546,030 S**
(45) **Date of Patent:** **** Jul. 10, 2007**

(54) **HAT WITH SUNGLASSES**

(76) Inventors: **Daniel P. Wilson**, 21 Arizona Ave.,
#101, Long Beach, NY (US) 11561;
Luis H. Gonzalez, 824 Grove St.,
Elizabeth, NJ (US) 07202

(**) Term: **14 Years**

(21) Appl. No.: **29/258,818**

(22) Filed: **Apr. 27, 2006**

(51) **LOC (8) Cl.** **02-03**

(52) **U.S. Cl.** **D2/866; D16/309**

(58) **Field of Classification Search** D2/865,
D2/866, 882, 884, 893; 2/10, 171, 175.1,
2/181, 195.1, 195.2, 209.11-209.13, 209.3;
D16/300, 304, 309, 310, 314, 900; 351/155,
351/158

See application file for complete search history.

(56) **References Cited**

U.S. PATENT DOCUMENTS

- 1,288,284 A * 12/1918 Taylor 351/155
- 2,004,701 A * 6/1935 Livengood 2/10
- 2,013,636 A * 9/1935 Shoskey et al. 2/10
- 2,040,614 A * 5/1936 Lakovich 2/10
- 2,654,089 A * 10/1953 Springer et al. 2/10
- 2,663,870 A * 12/1953 Feldman 2/10

- 2,691,164 A * 10/1954 Feldman 2/10
- D356,810 S * 3/1995 Friedman D16/304
- 5,689,827 A * 11/1997 Ryder 2/10
- D403,490 S * 1/1999 Posner D2/866
- 5,930,834 A * 8/1999 Toovey 2/10
- D451,532 S * 12/2001 Bondy D16/304
- 6,553,570 B1 * 4/2003 Flynn 2/10
- 2002/0095715 A1 * 7/2002 Hong 2/209.11

* cited by examiner

Primary Examiner—Robert M. Spear
Assistant Examiner—Mary A. Calabrese
(74) *Attorney, Agent, or Firm*—The Farrell Law Firm

(57) **CLAIM**

The ornamental design for a hat with sunglasses, as shown and described.

DESCRIPTION

FIG. 1 is a perspective view of the hat showing my new design;

FIG. 2 is a side elevation view of the hat of FIG. 1;

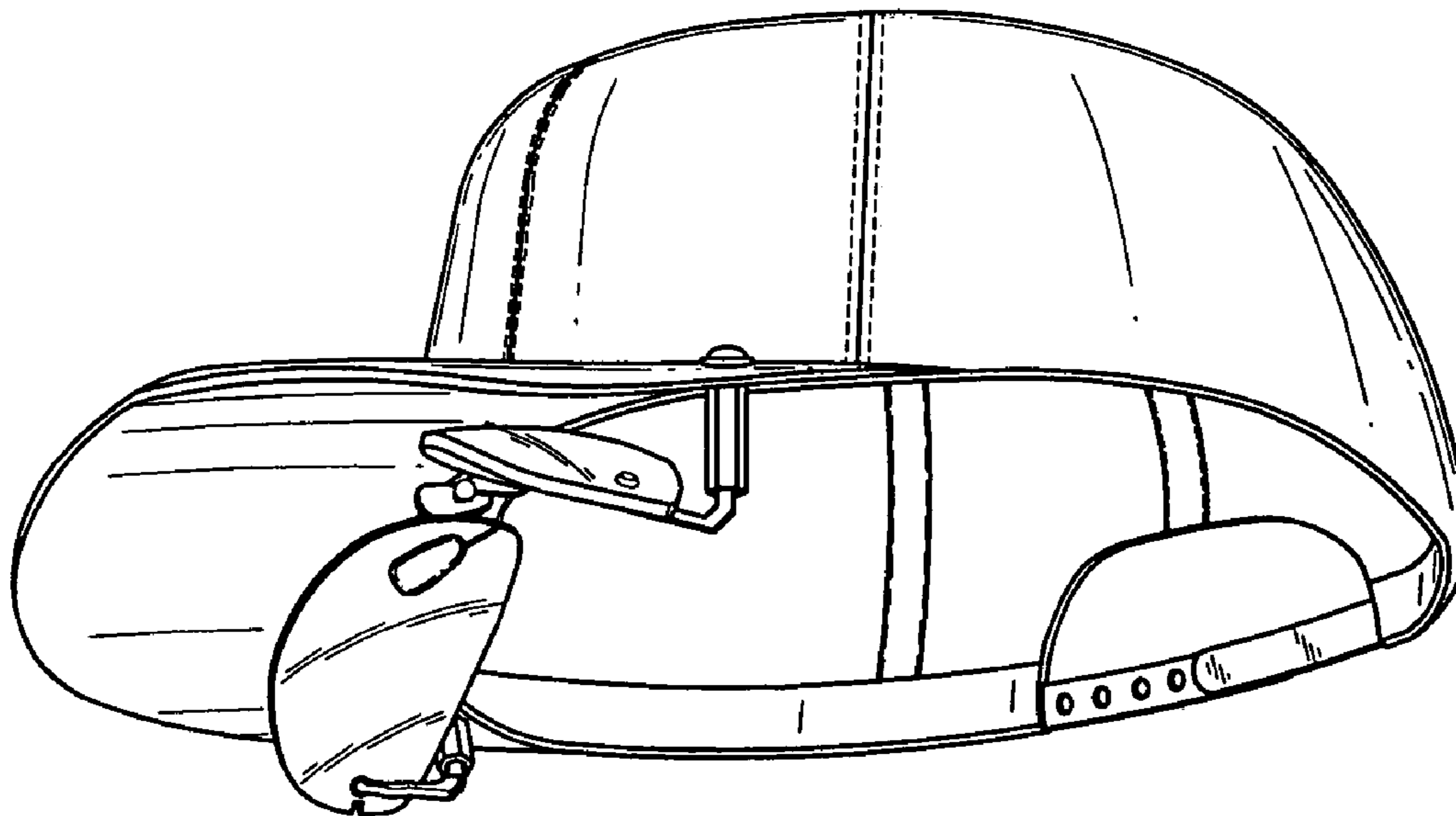
FIG. 3 is a top elevation view of the hat of FIG. 1;

FIG. 4 is a bottom elevation view of the hat of FIG. 1;

FIG. 5 is a front elevation view of the hat of FIG. 1; and,

FIG. 6 is a rear view elevation of the hat of FIG. 1.

1 Claim, 3 Drawing Sheets



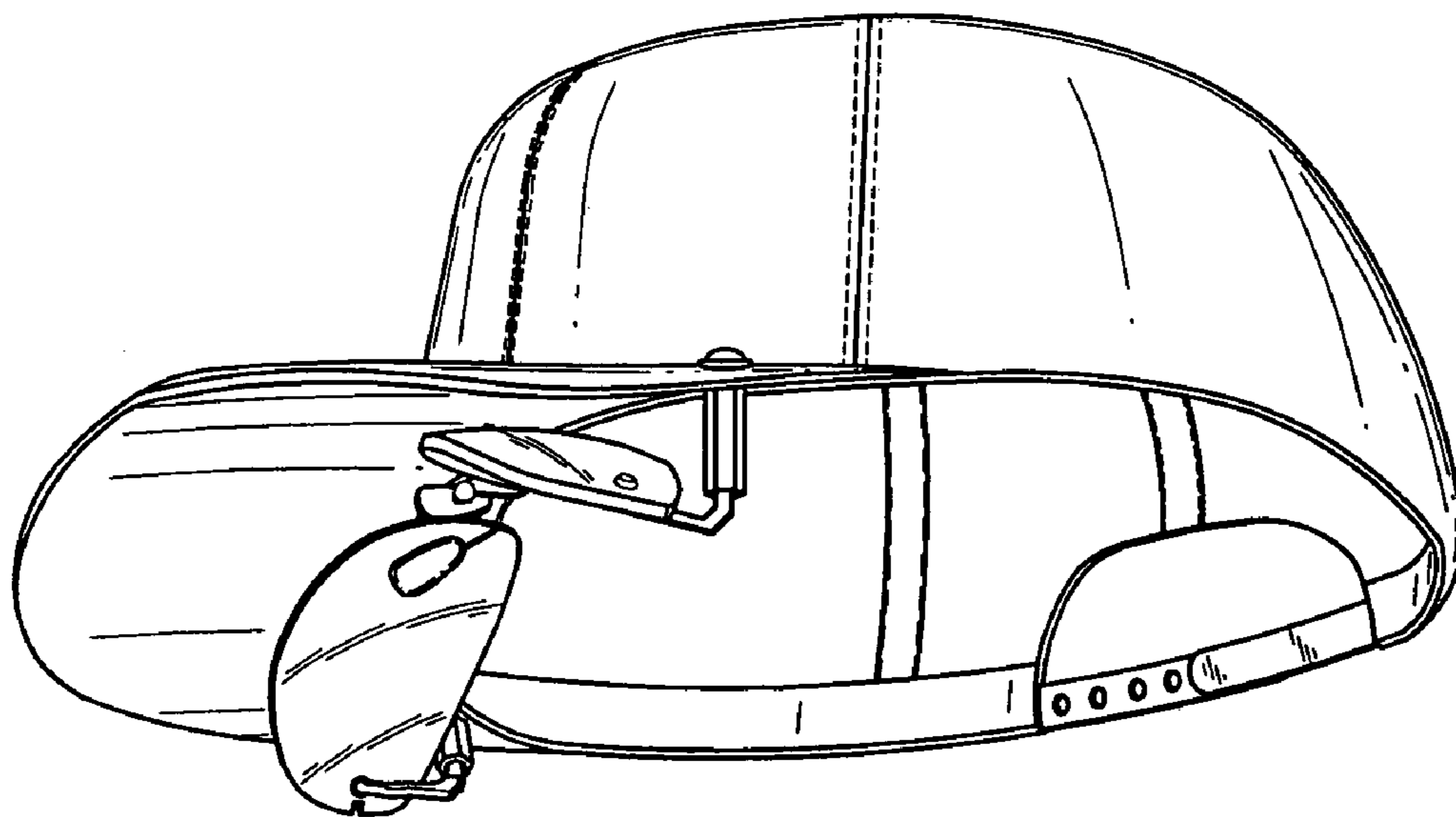


FIG. 1

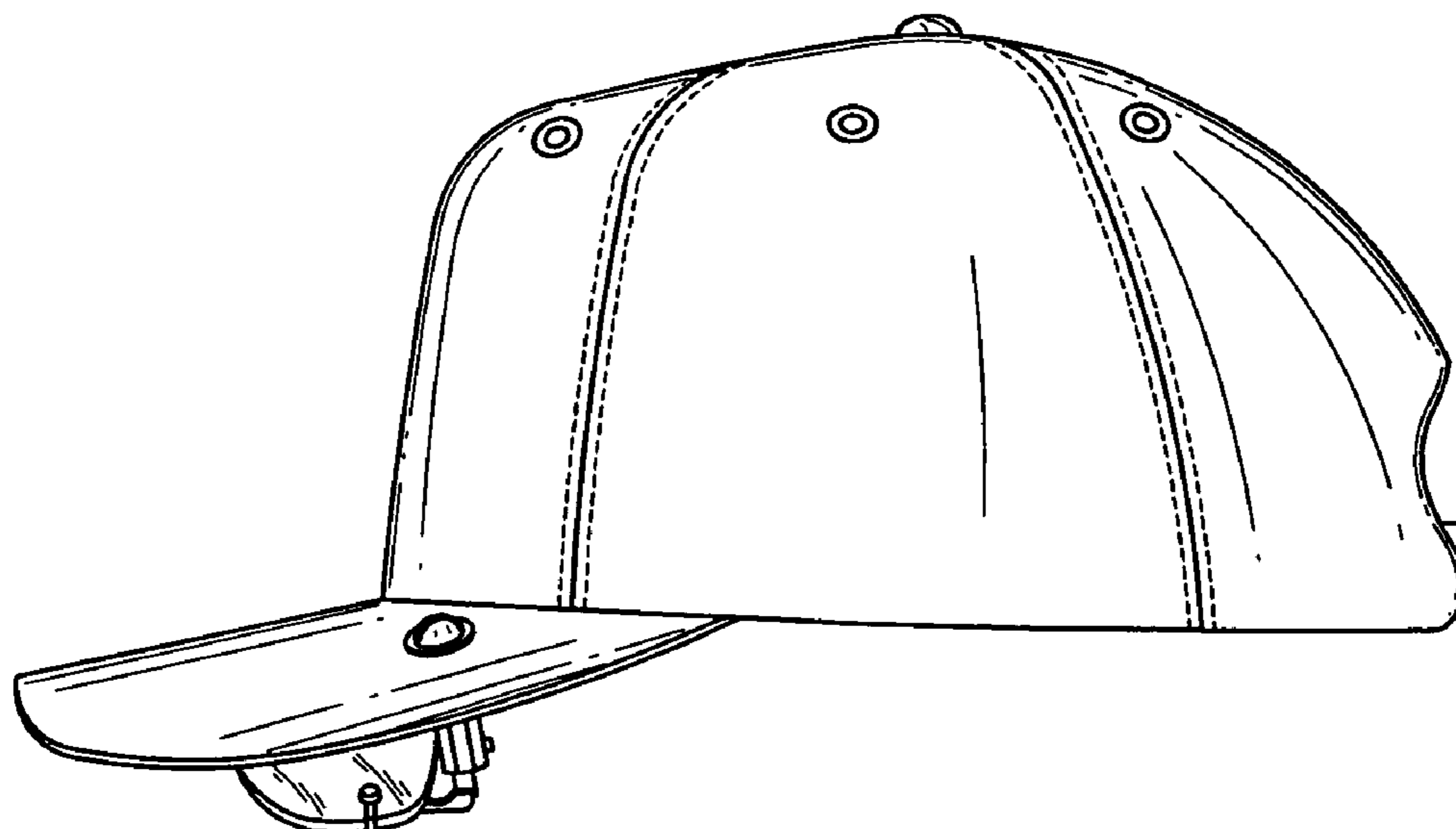


FIG. 2

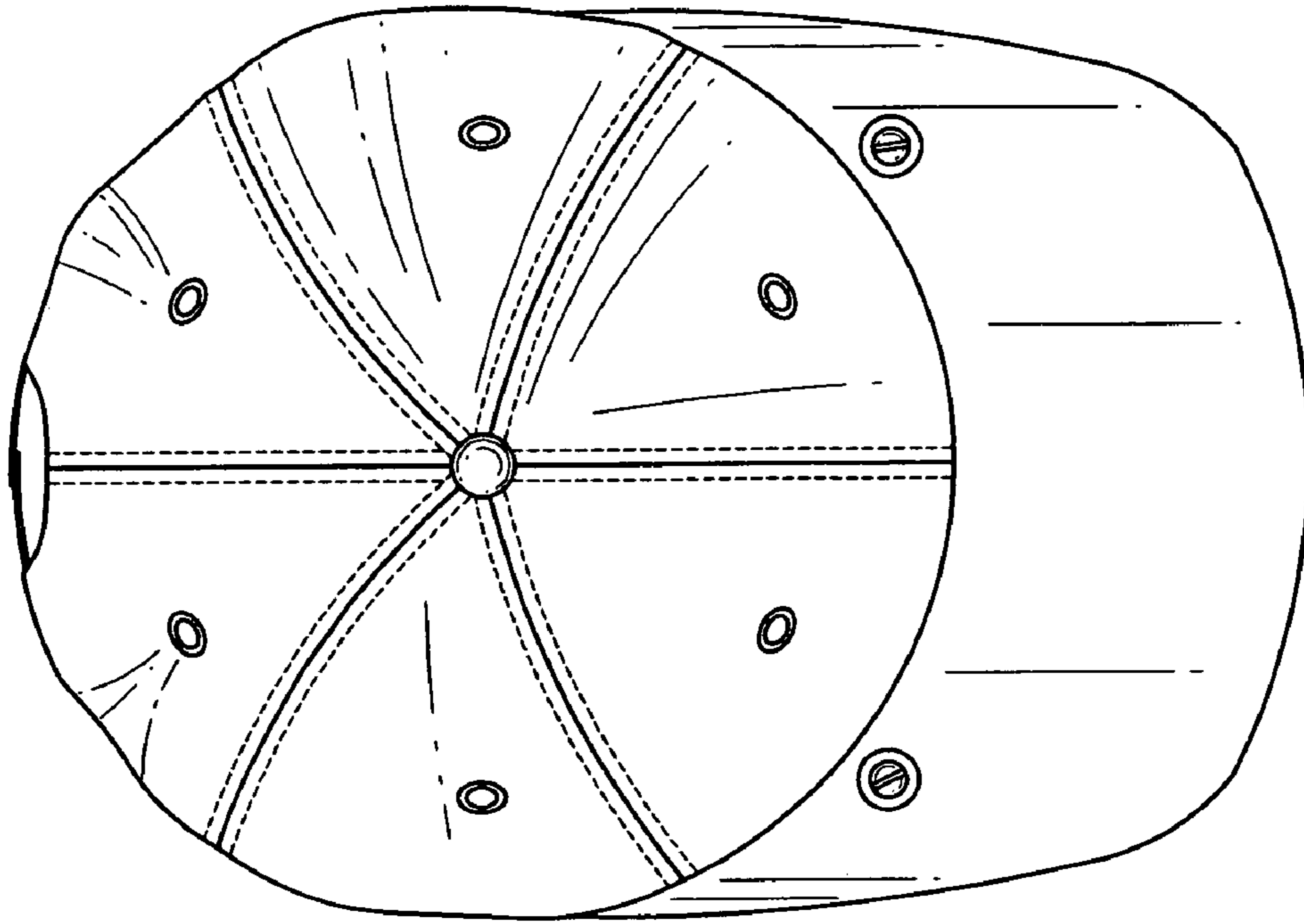


FIG. 3

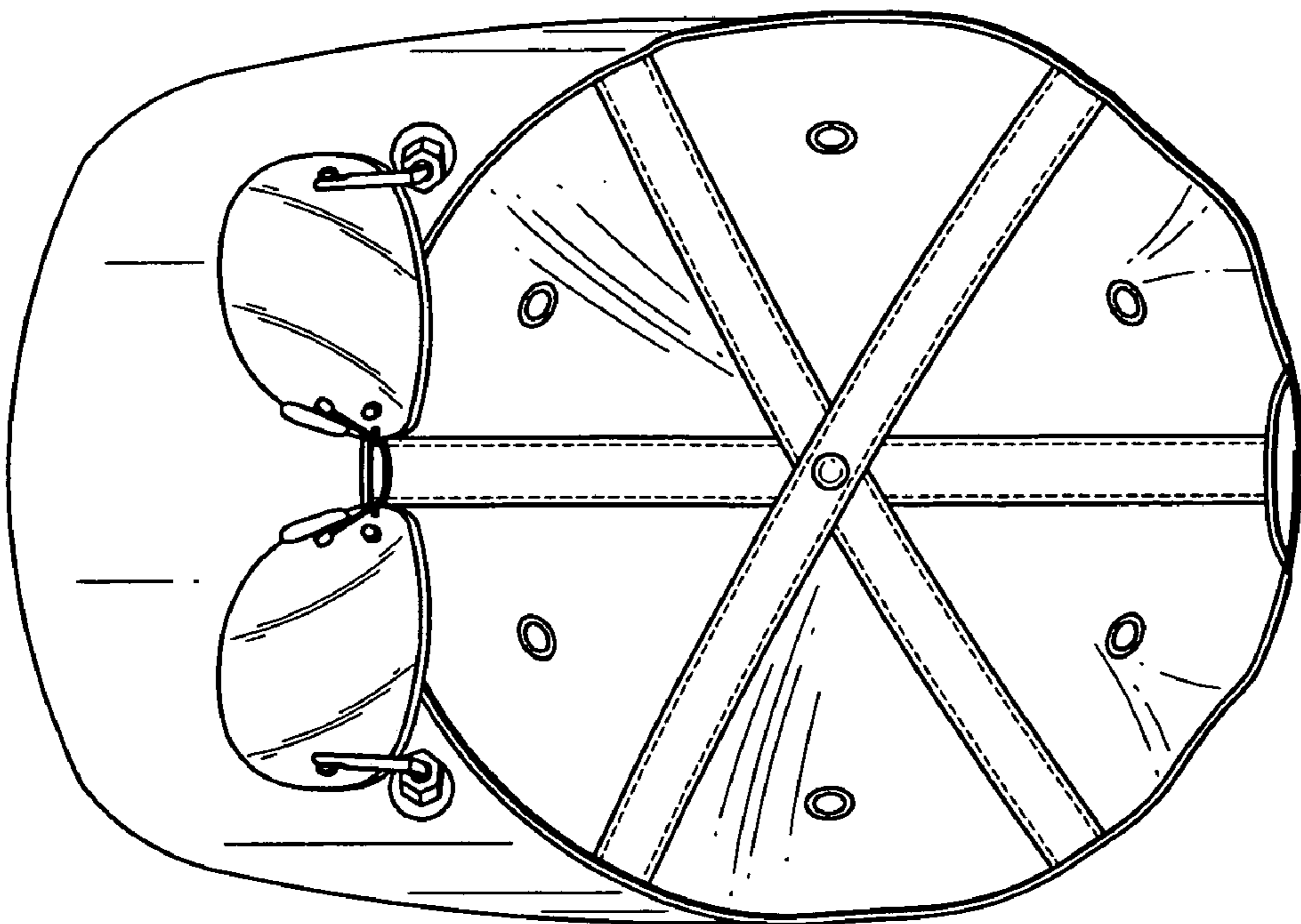


FIG. 4

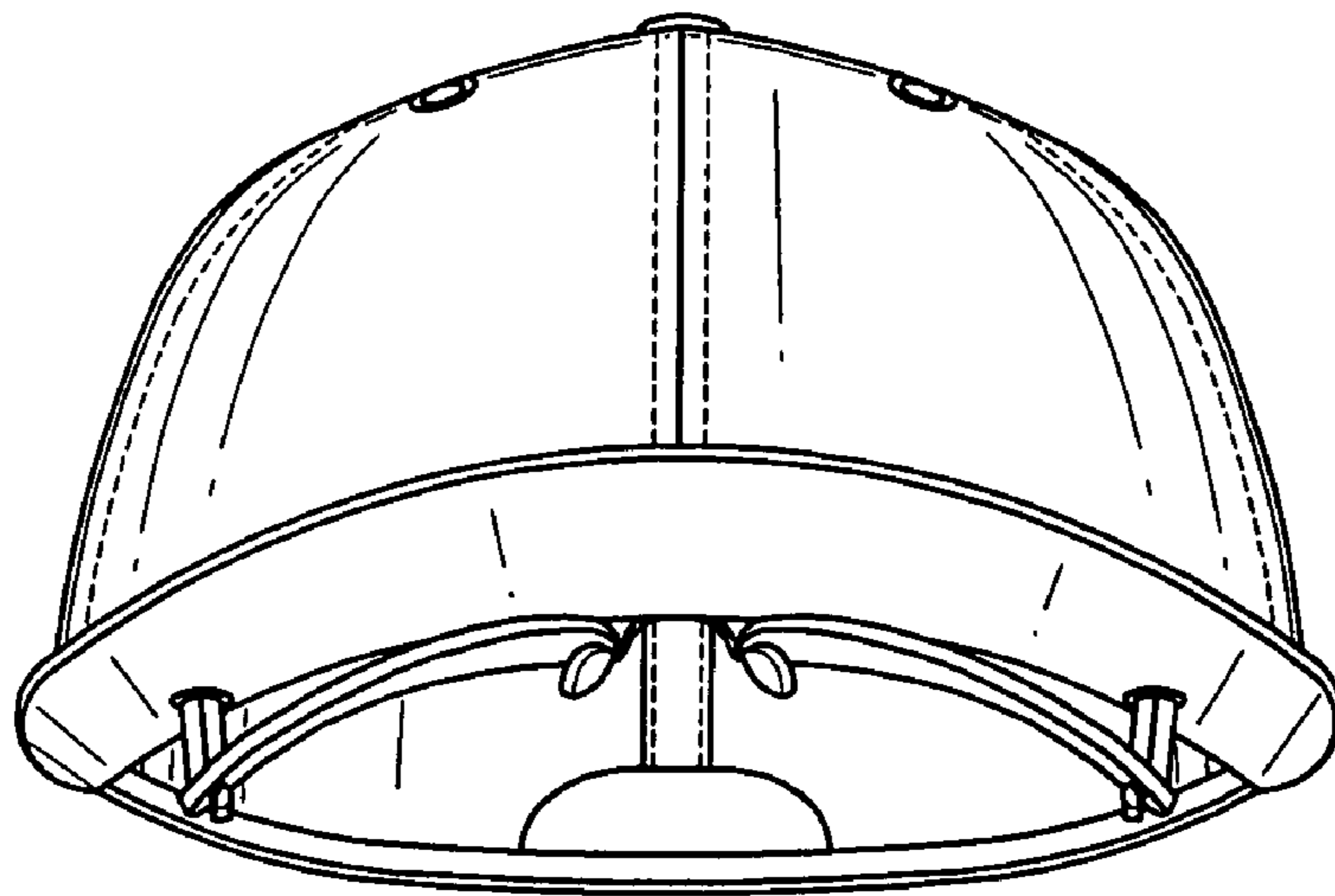


FIG. 5

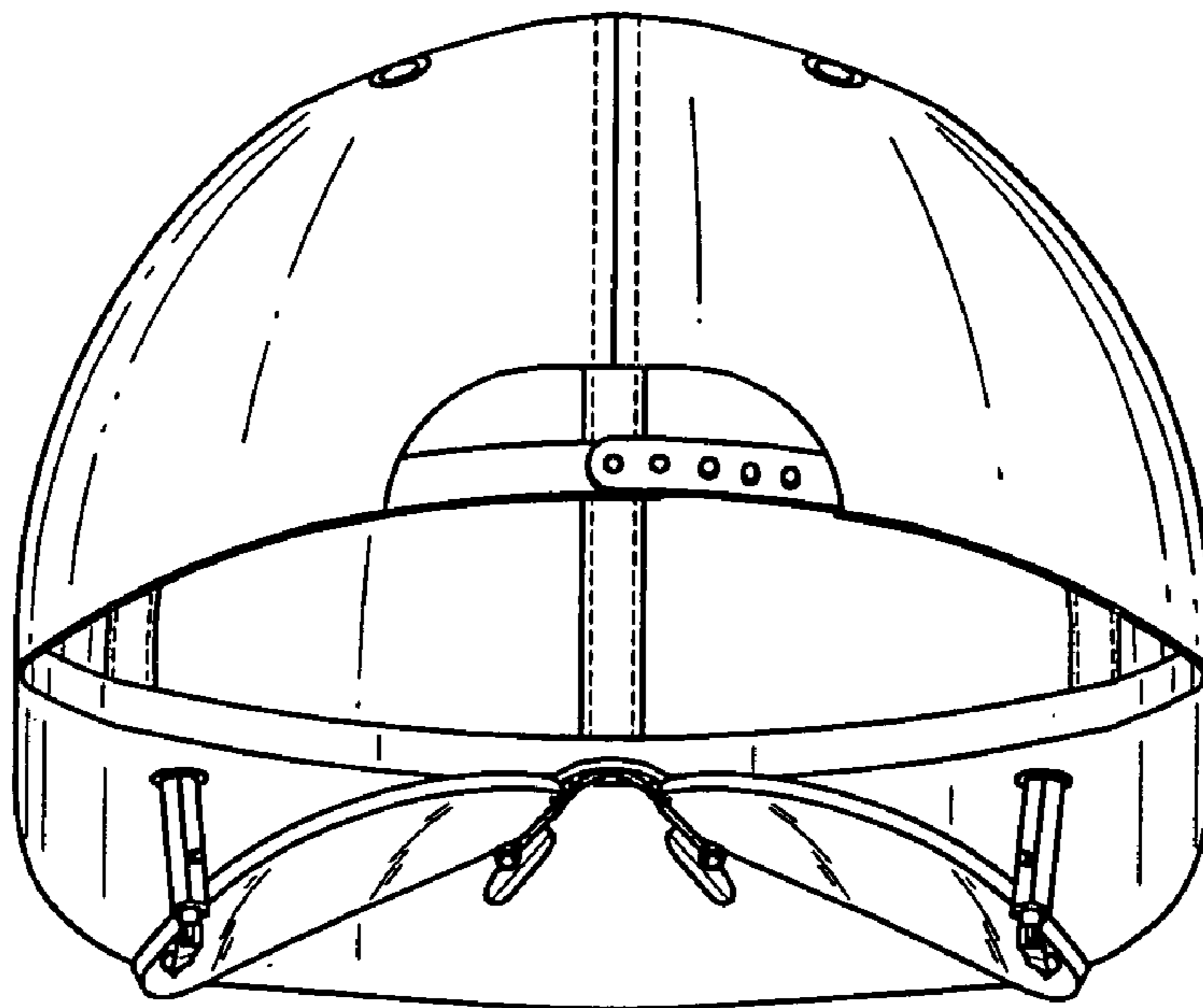


FIG. 6