

US00D546027S

(12) **United States Design Patent** (10) **Patent No.:** **US D546,027 S**
Thiaudiere et al. (45) **Date of Patent:** **** Jul. 10, 2007**

(54) **BATCH BREAD SLICE**

(57) **CLAIM**

(75) Inventors: **Jean-Luc Thiaudiere**, Mozac (FR);
Xavier Piezel, Randan (FR)

The ornamental design for a batch bread slice, as shown and described.

(73) Assignee: **Jacquet Panification**, Bondoufle (FR)

DESCRIPTION

(**) Term: **14 Years**

FIG. 1 is front view of a batch bread slice according to a first embodiment of the present invention, the rear view being a mirror image thereof.

(21) Appl. No.: **29/255,099**

FIG. 2 is a top view of the batch bread slice depicted in FIG. 1.

(22) Filed: **Mar. 6, 2006**

FIG. 3 is a bottom view of the batch bread slice depicted in FIG. 1.

(30) **Foreign Application Priority Data**

Sep. 9, 2005 (EM) 000400577-004
Sep. 9, 2005 (EM) 000400577-005
Sep. 9, 2005 (EM) 000400577-006

FIG. 4 is a right side view of the batch bread slice depicted in FIG. 1, the left side view being a mirror image thereof.

FIG. 5 is a perspective front, bottom and left side view of the batch bread slice depicted in FIG. 1.

(51) **LOC (8) Cl.** **01-01**

(52) **U.S. Cl.** **D1/129**

(58) **Field of Classification Search** D1/125,
D1/128-9, 199; 426/104, 275, 446, 503,
426/518, 549, 653, 658, 661, 388-9, 391
See application file for complete search history.

FIG. 6 is front view of a batch bread slice according to a second embodiment of the present invention, the rear view being a mirror image thereof.

FIG. 7 is a top view of the batch bread slice depicted in FIG. 6.

(56) **References Cited**

U.S. PATENT DOCUMENTS

D100,257 S * 7/1936 Brooks D1/121

FIG. 8 is a bottom view of the batch bread slice depicted in FIG. 6.

FIG. 9 is a right side view of the batch bread slice depicted in FIG. 6, the left side view being a mirror image thereof.

FIG. 10 is a perspective front, bottom and left side view of the batch bread slice depicted in FIG. 6.

(Continued)

FOREIGN PATENT DOCUMENTS

PT EU 23601-0001 * 5/2003

FIG. 11 is front view of a batch bread slice according to a third embodiment of the present invention, the rear view being a mirror image thereof.

FIG. 12 is a top view of the batch bread slice depicted in FIG. 11.

OTHER PUBLICATIONS

Practical Baking: Fifth Edition, by William J. Sultan, Ban Nostrand Reinhold, NY, © 1990, p. 562.*

FIG. 13 is a bottom view of the batch bread slice depicted in FIG. 11.

FIG. 14 is a right side view of the batch bread slice depicted in FIG. 11, the left side view being a mirror image thereof; and,

(Continued)

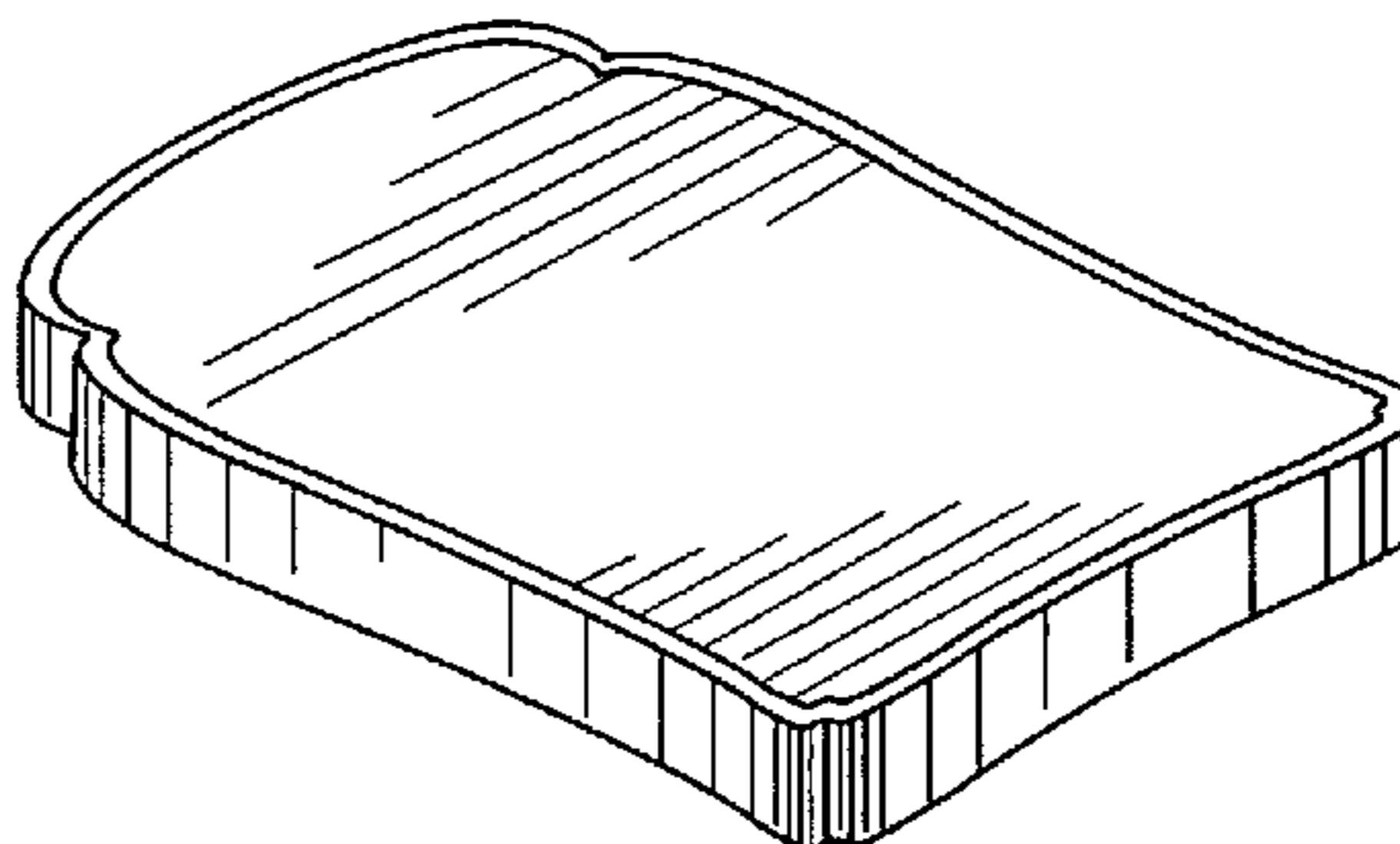
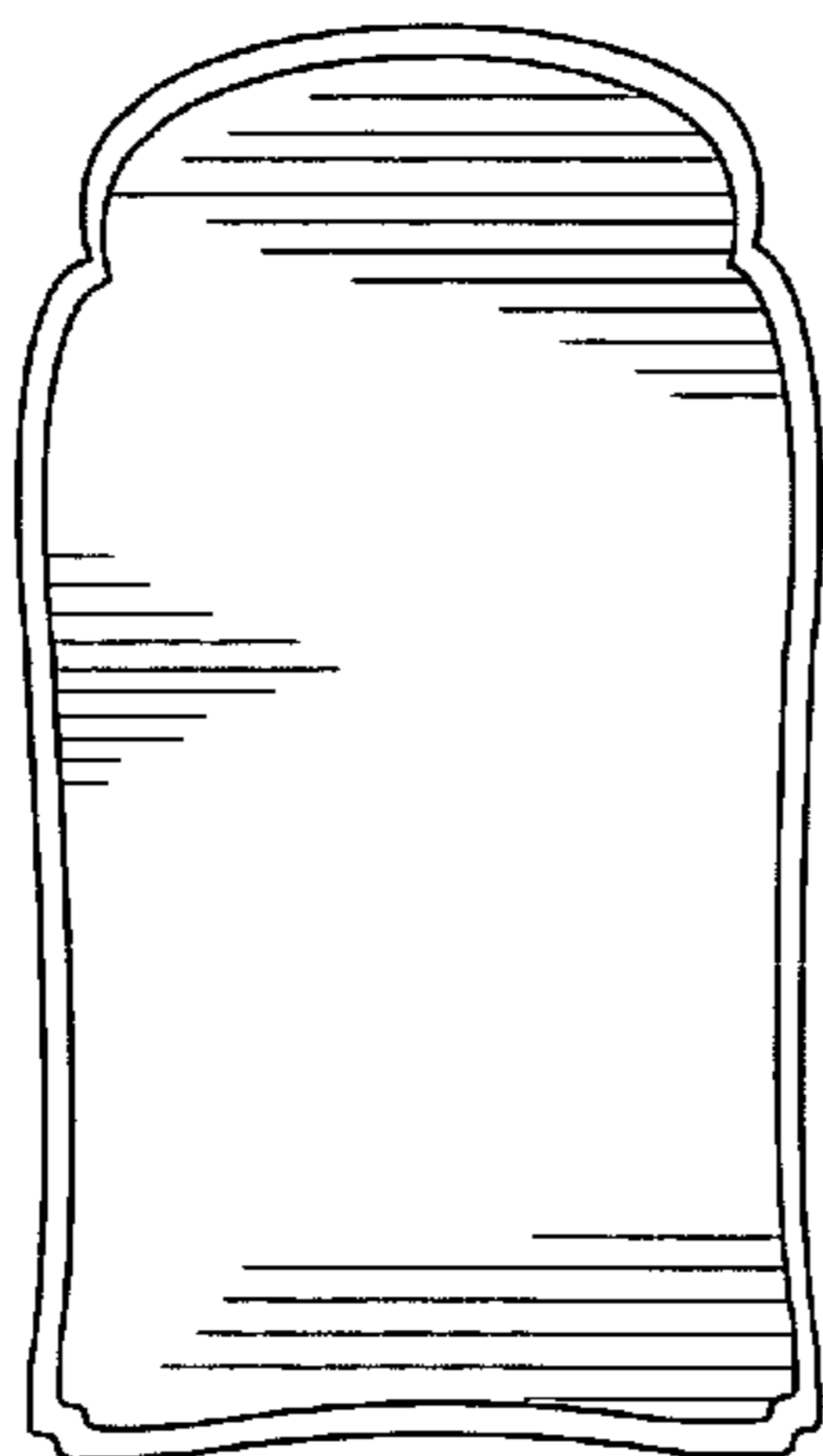
Primary Examiner—Robin Webster

Assistant Examiner—Karen E. Patterson

(74) *Attorney, Agent, or Firm*—Stites & Harbison PLLC;
Douglas E. Jackson

FIG. 15 is a perspective front, bottom and left side view of the batch bread slice depicted in FIG. 11.

1 Claim, 3 Drawing Sheets



US D546,027 S

Page 2

U.S. PATENT DOCUMENTS

2,483,669 A * 10/1949 Reid 426/383
2,734,449 A * 2/1956 Erickson 426/275
4,198,438 A * 4/1980 Singer et al. 426/549
5,716,653 A * 2/1998 Simard et al. 426/653
D395,535 S * 6/1998 Reichkitzer et al. D1/129
D403,485 S * 1/1999 Clanton et al. D1/129
6,013,300 A * 1/2000 Reichkitzer et al. 426/552
6,126,982 A * 10/2000 Maldonado 426/549
D445,992 S * 8/2001 Reinhart et al. D1/128
6,967,035 B2 * 11/2005 Bojsen et al. 426/549
2003/0175386 A1 * 9/2003 Hayes-Jacobson 426/94

2004/0033300 A1* 2/2004 Takahashi et al. 426/549

OTHER PUBLICATIONS

D1 Box AA6: Better Homes and Gardens, Apr. 1956, p. 157.*

D1 Box AA1: Restaurants and Institutions, Jul. 22, 1987, p. 267.*

Internet: <http://willsloan.textamerica.com/?r=2414358>, Apr. 28, 2005.*

* cited by examiner

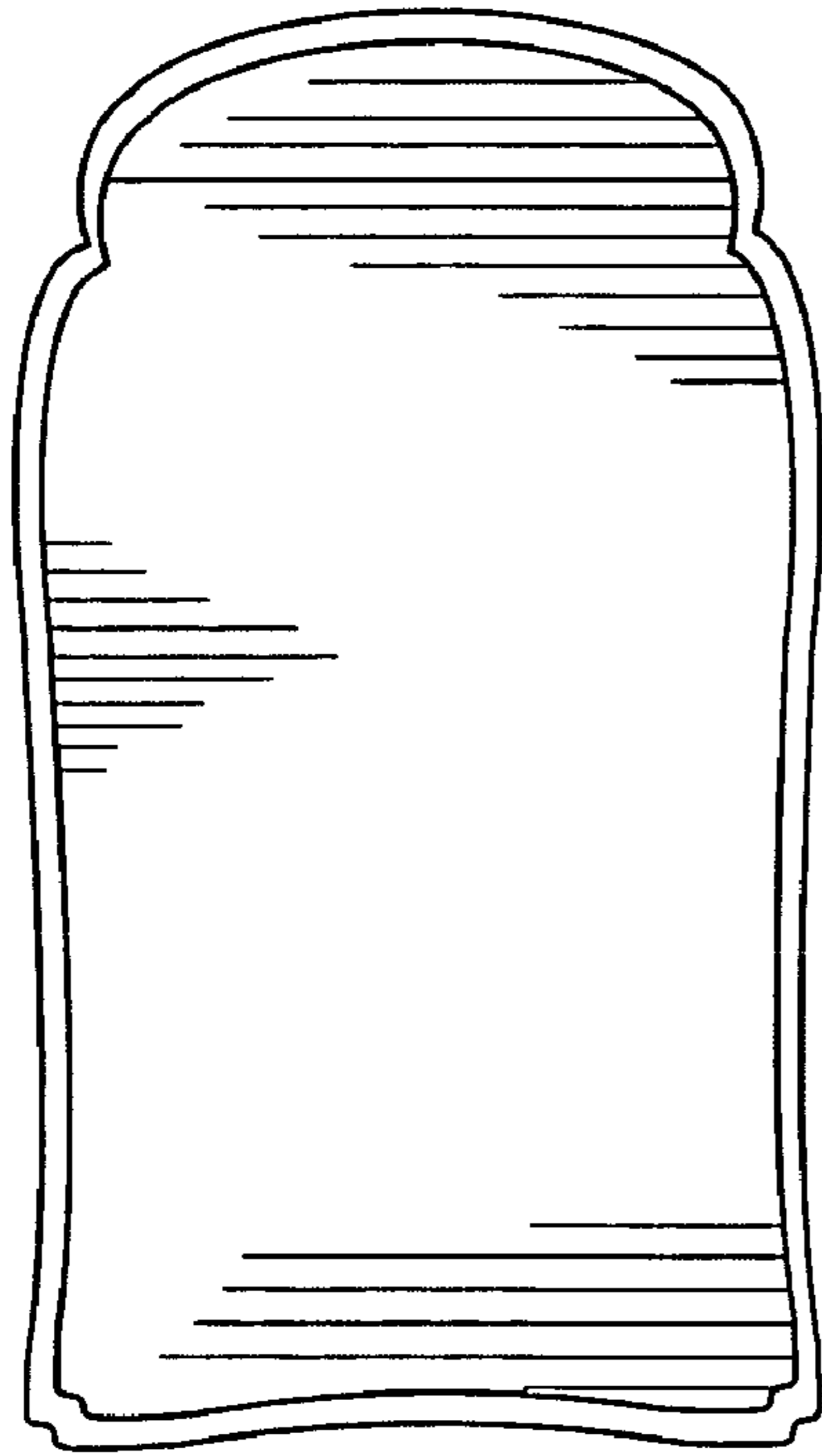


FIG. 1

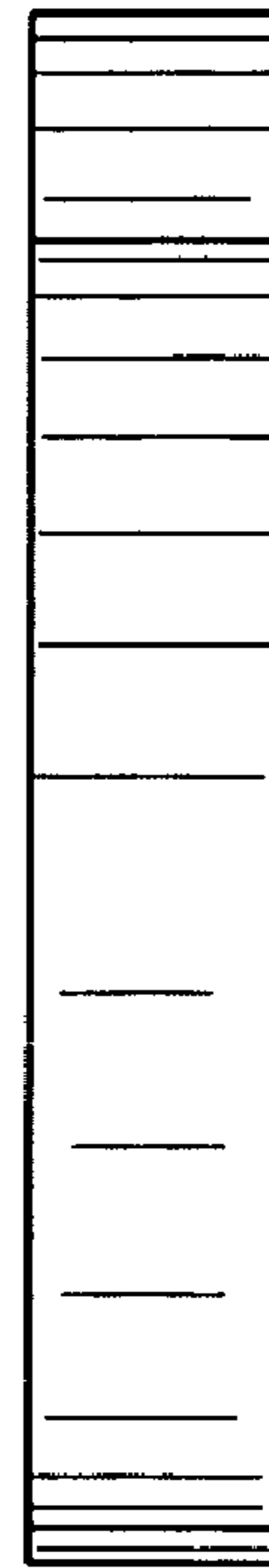


FIG. 4



FIG. 2



FIG. 3

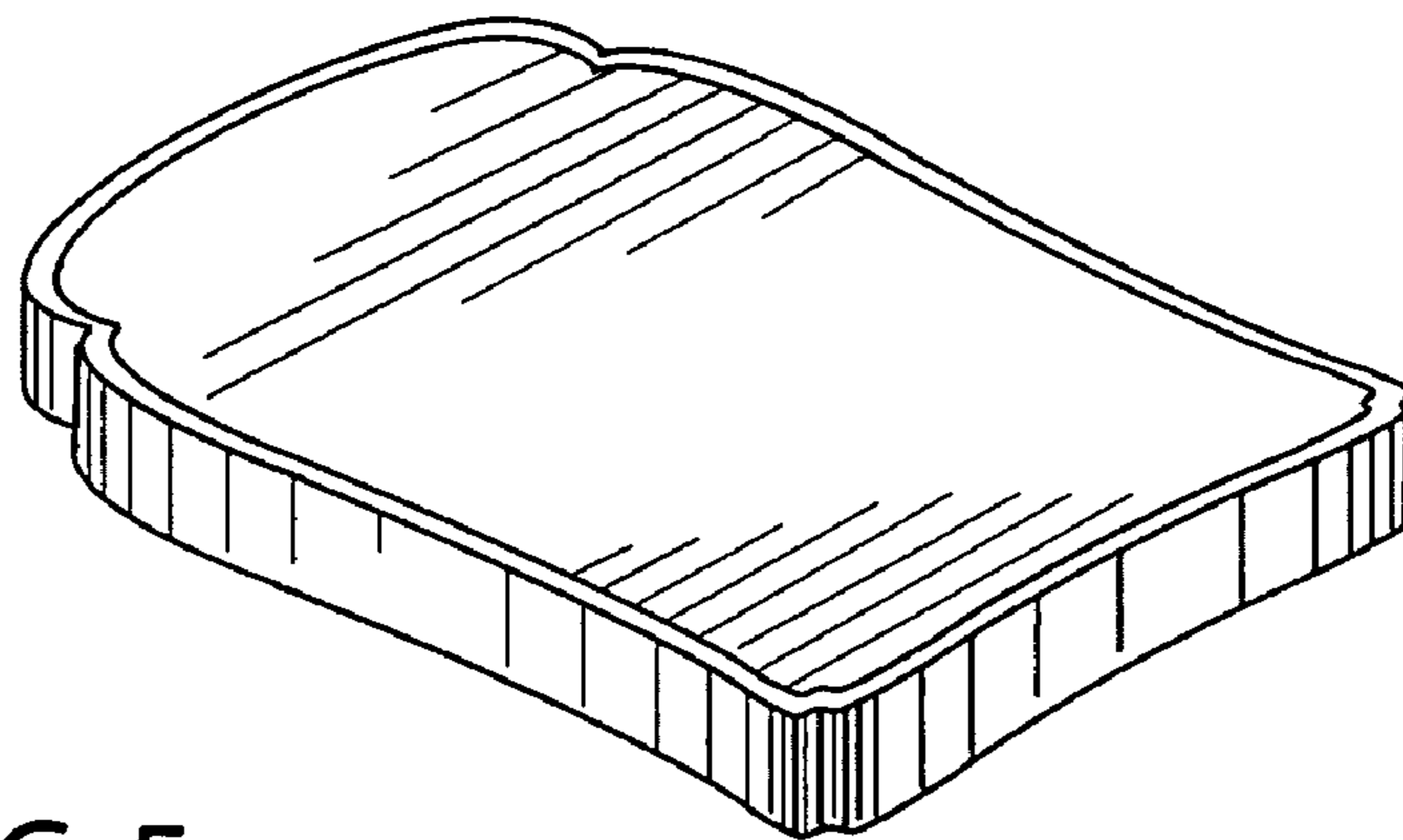


FIG. 5

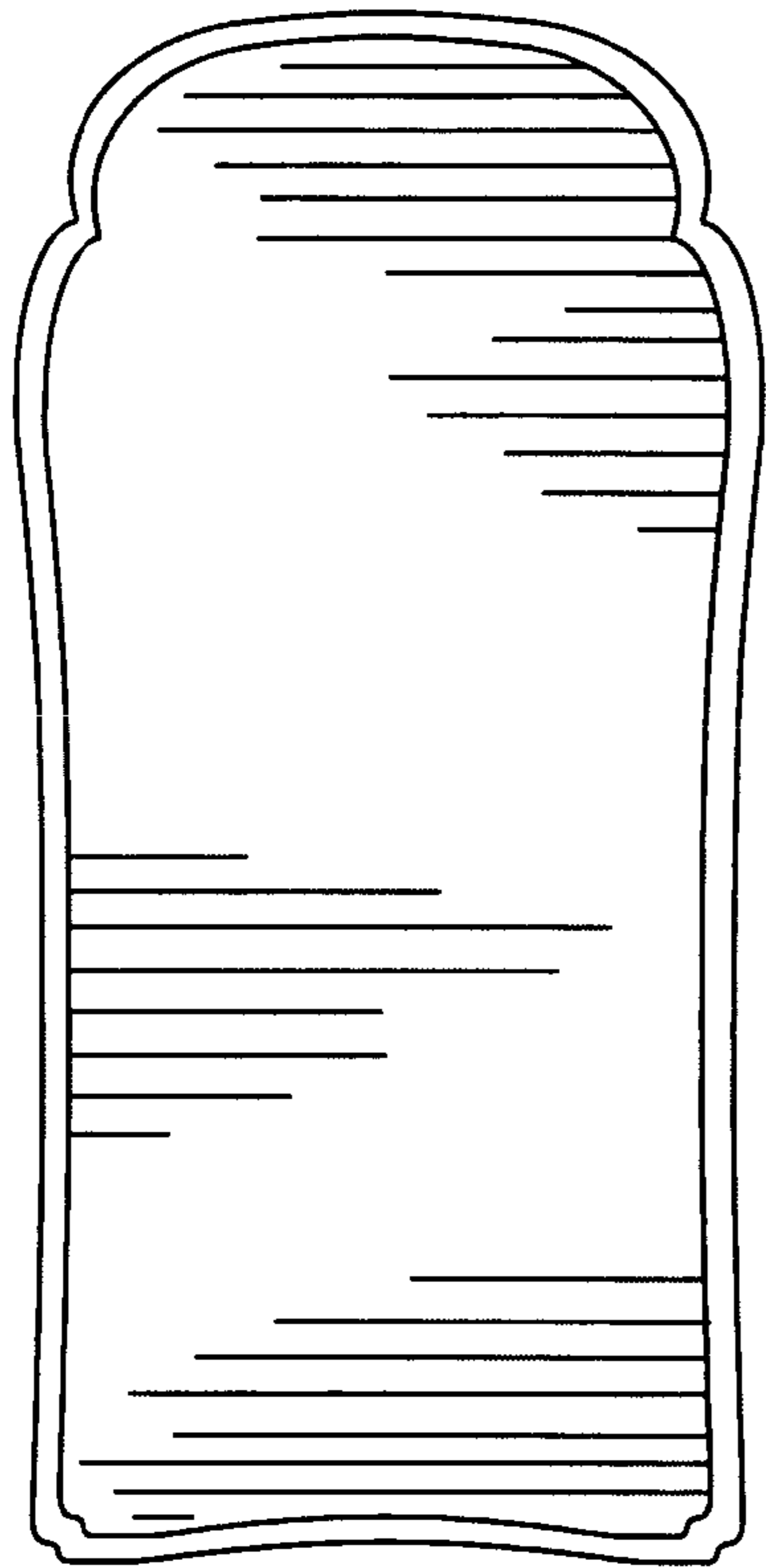


FIG. 6

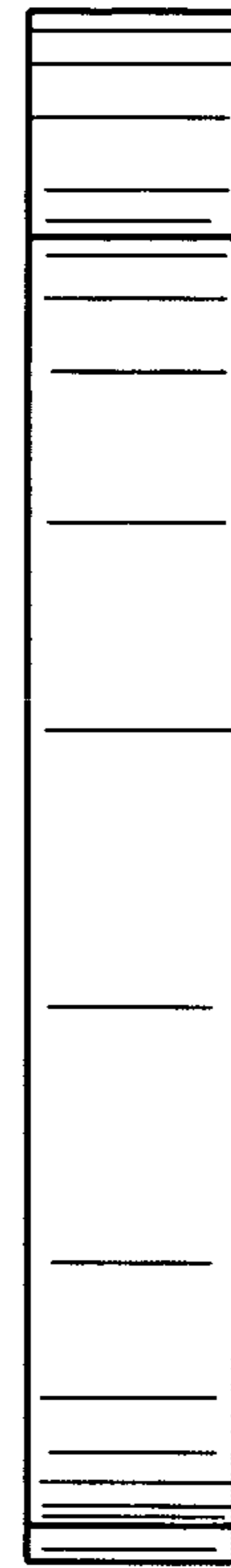


FIG. 9



FIG. 7



FIG. 8

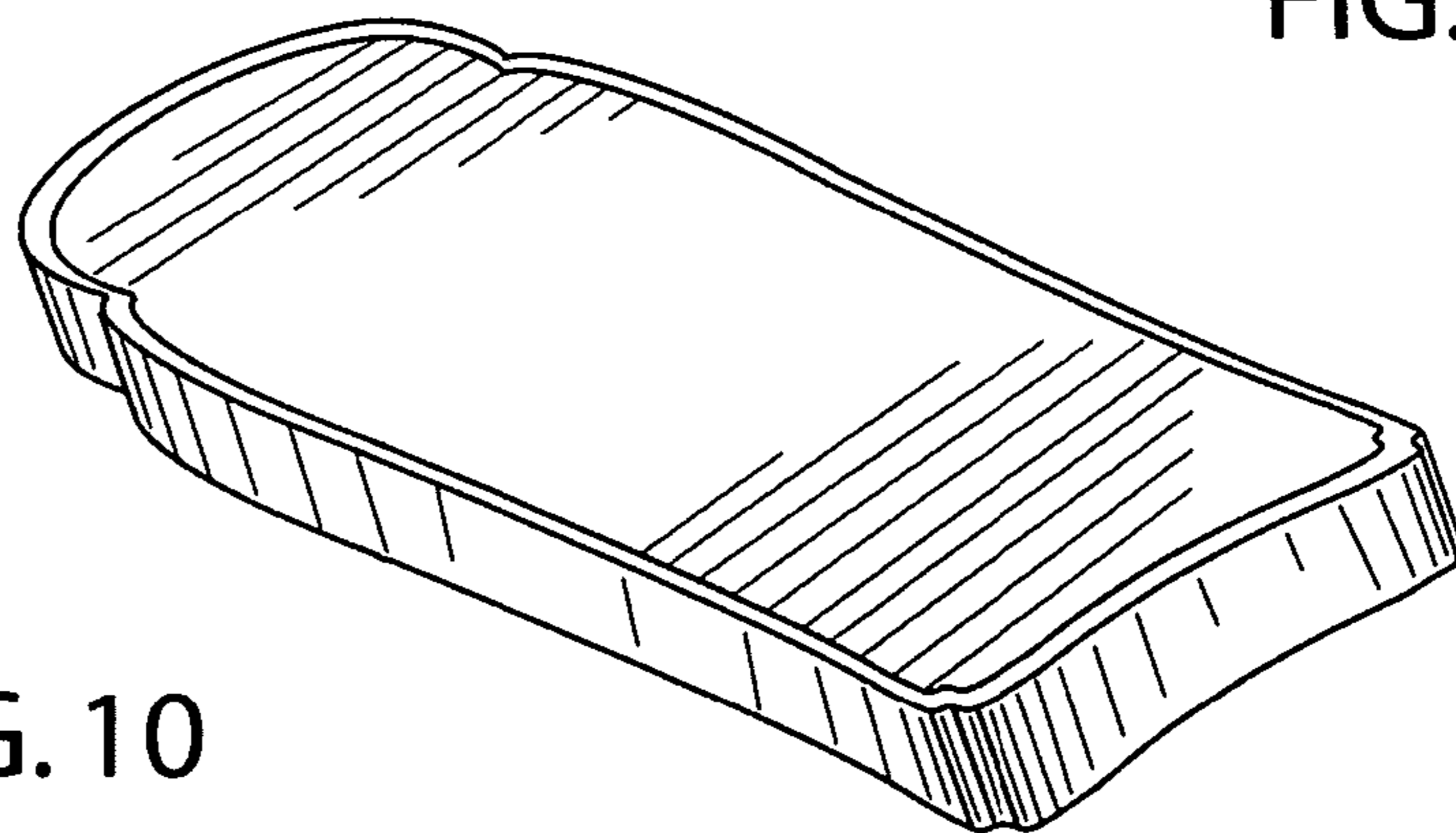


FIG. 10

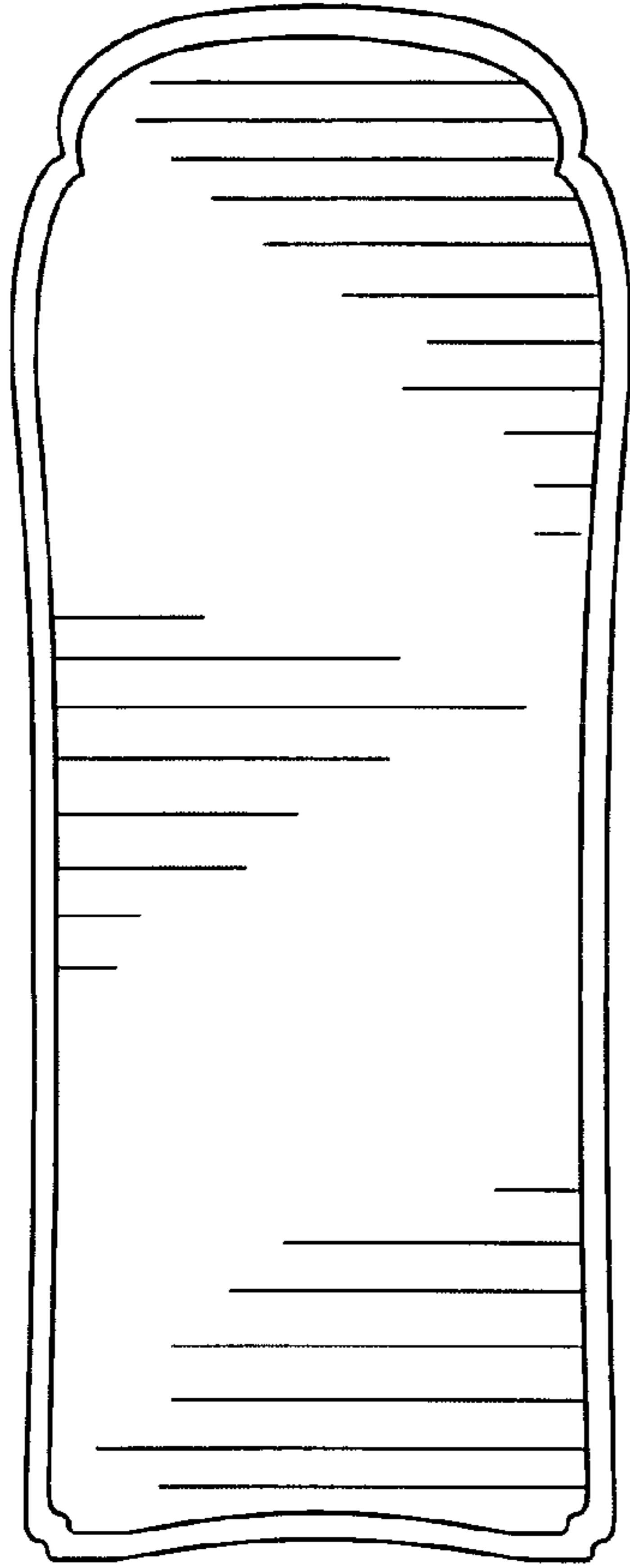


FIG. 11



FIG. 14



FIG. 12



FIG. 13

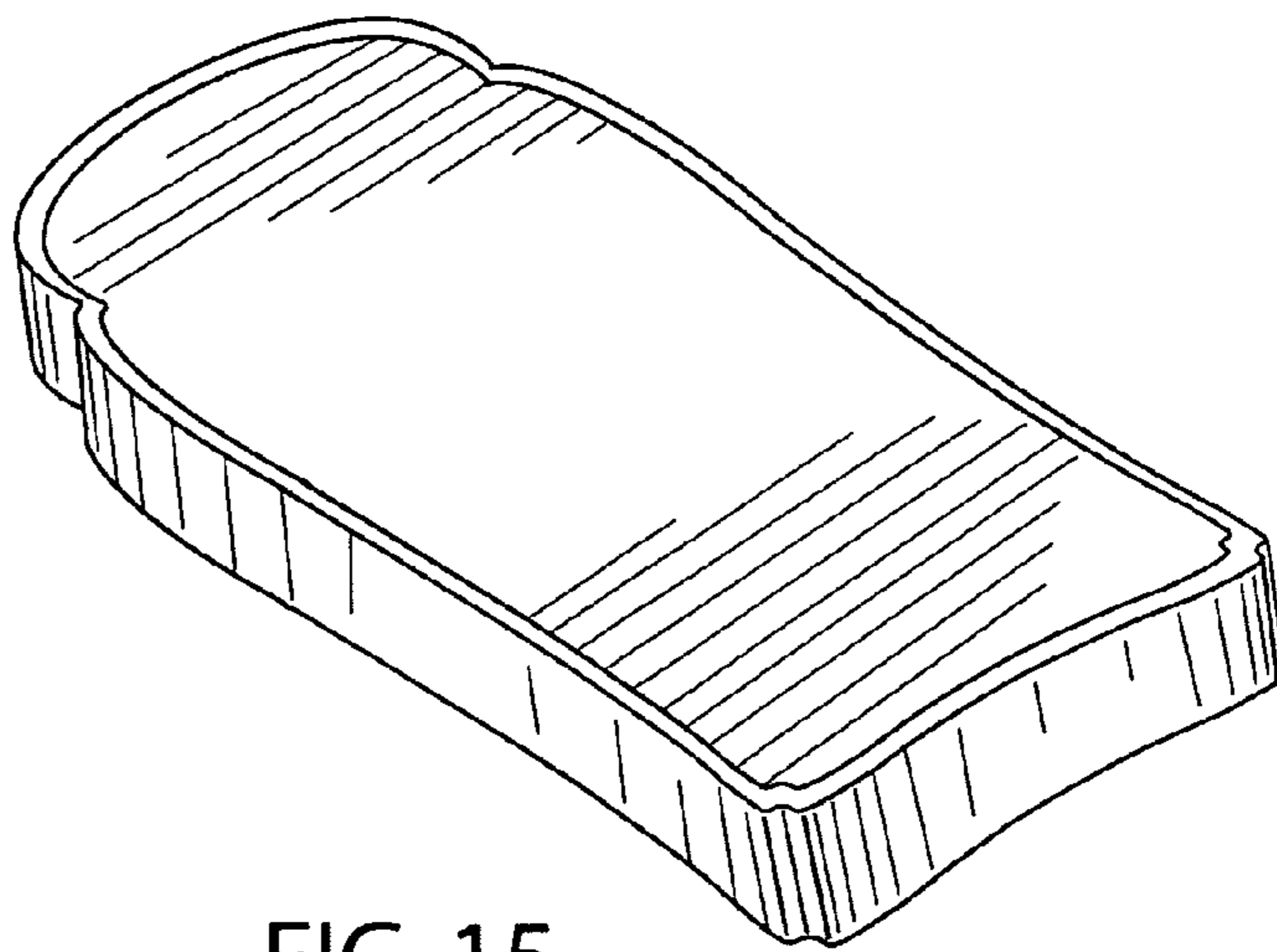


FIG. 15